

FOG LIGHT ASSEMBLY

COMPONENTS

FRONT FENDER SPLASH SHIELD
SUB-ASSEMBLY RH

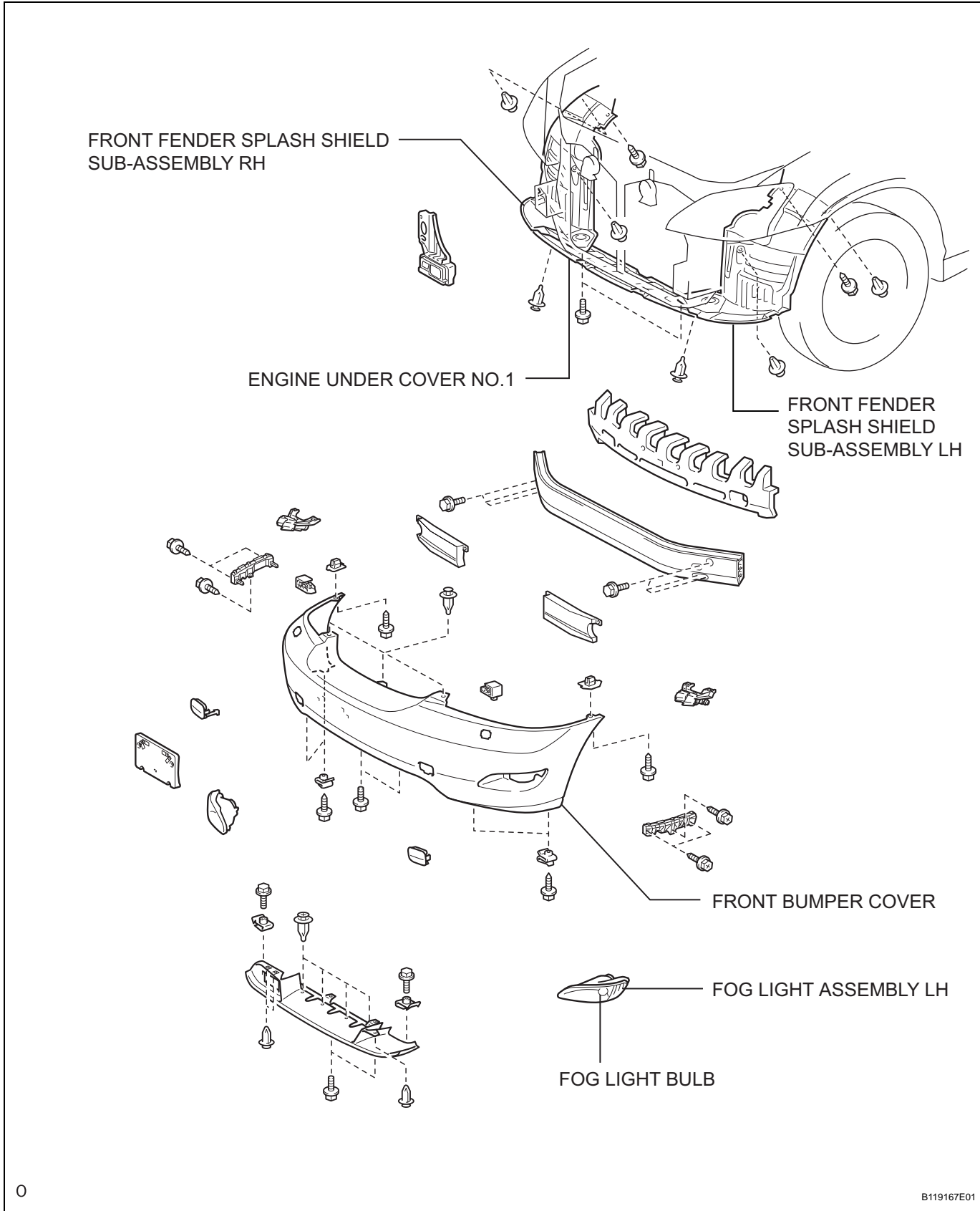
ENGINE UNDER COVER NO.1

FRONT FENDER
SPLASH SHIELD
SUB-ASSEMBLY LH

FRONT BUMPER COVER

FOG LIGHT ASSEMBLY LH

FOG LIGHT BULB



REMOVAL

1. REMOVE ENGINE UNDER COVER NO.1 (See page [ET-2](#))
2. REMOVE FRONT FENDER SPLASH SHIELD SUB-ASSEMBLY LH (See page [ET-2](#))
3. REMOVE FRONT FENDER SPLASH SHIELD SUB-ASSEMBLY RH (See page [ET-2](#))
4. REMOVE FRONT BUMPER COVER (See page [ET-2](#))
5. REMOVE FOG LIGHT ASSEMBLY LH
 - (a) Release the 2 claw fittings, then pull out the fog light assembly LH.

