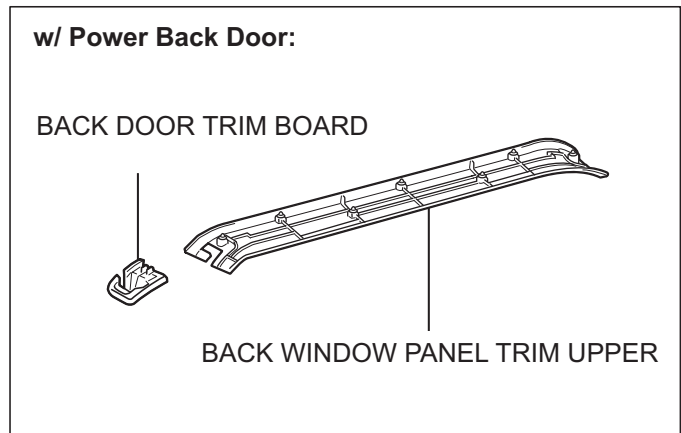
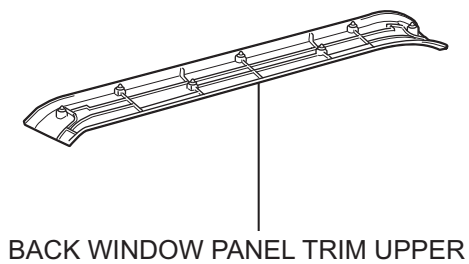
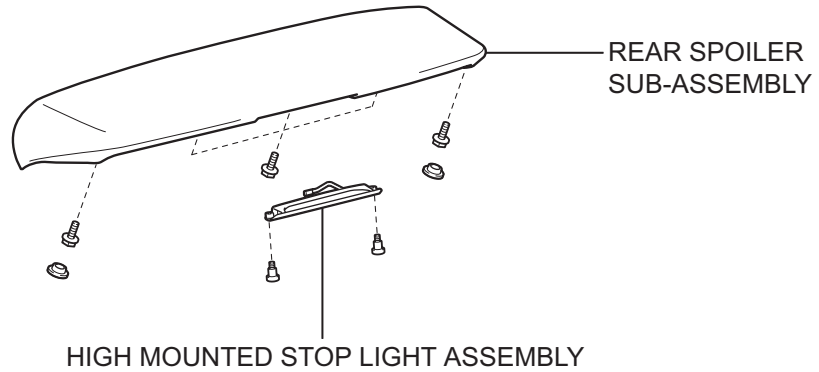


HIGH MOUNTED STOP LIGHT ASSEMBLY

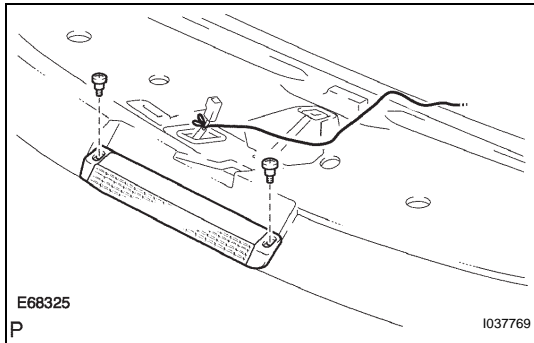
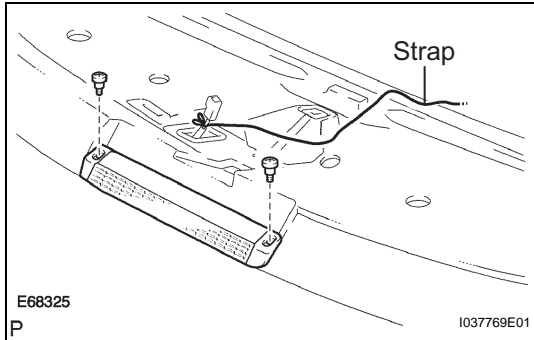
COMPONENTS



REMOVAL

1. REMOVE BACK WINDOW PANEL TRIM UPPER (w/o Power Back Door) (See page [ED-124](#))
2. REMOVE BACK DOOR TRIM BOARD (w/ Power Back Door) (See page [ED-124](#))
3. REMOVE BACK WINDOW PANEL TRIM UPPER (w/ Power Back Door) (See page [ED-124](#))
4. REMOVE REAR SPOILER SUB-ASSEMBLY (See page [ET-12](#))
5. REMOVE HIGH MOUNTED STOP LIGHT ASSEMBLY
 - (a) Install the strap to the connector of the high mounted stop light assembly.
 - (b) Remove the 2 screws.
 - (c) Pass the connector through the inside of the rear spoiler and remove the high mounted stop light assembly.

HINT:
Leave the strap inside the rear spoiler.



INSTALLATION

1. INSTALL HIGH MOUNTED STOP LIGHT ASSEMBLY
 - (a) Install the strap to the connector of the high mounted stop light assembly.

HINT:
Leave the strap inside the rear spoiler.

 - (b) Pass the connector through the inside of the rear spoiler and install the high mounted stop light assembly with the 2 screws.
2. INSTALL REAR SPOILER SUB-ASSEMBLY (See page [ET-12](#))
3. INSTALL BACK WINDOW PANEL TRIM UPPER (w/ Power Back Door)
4. INSTALL BACK DOOR TRIM BOARD (w/ Power Back Door)
5. INSTALL BACK WINDOW PANEL TRIM UPPER (w/o Power Back Door)