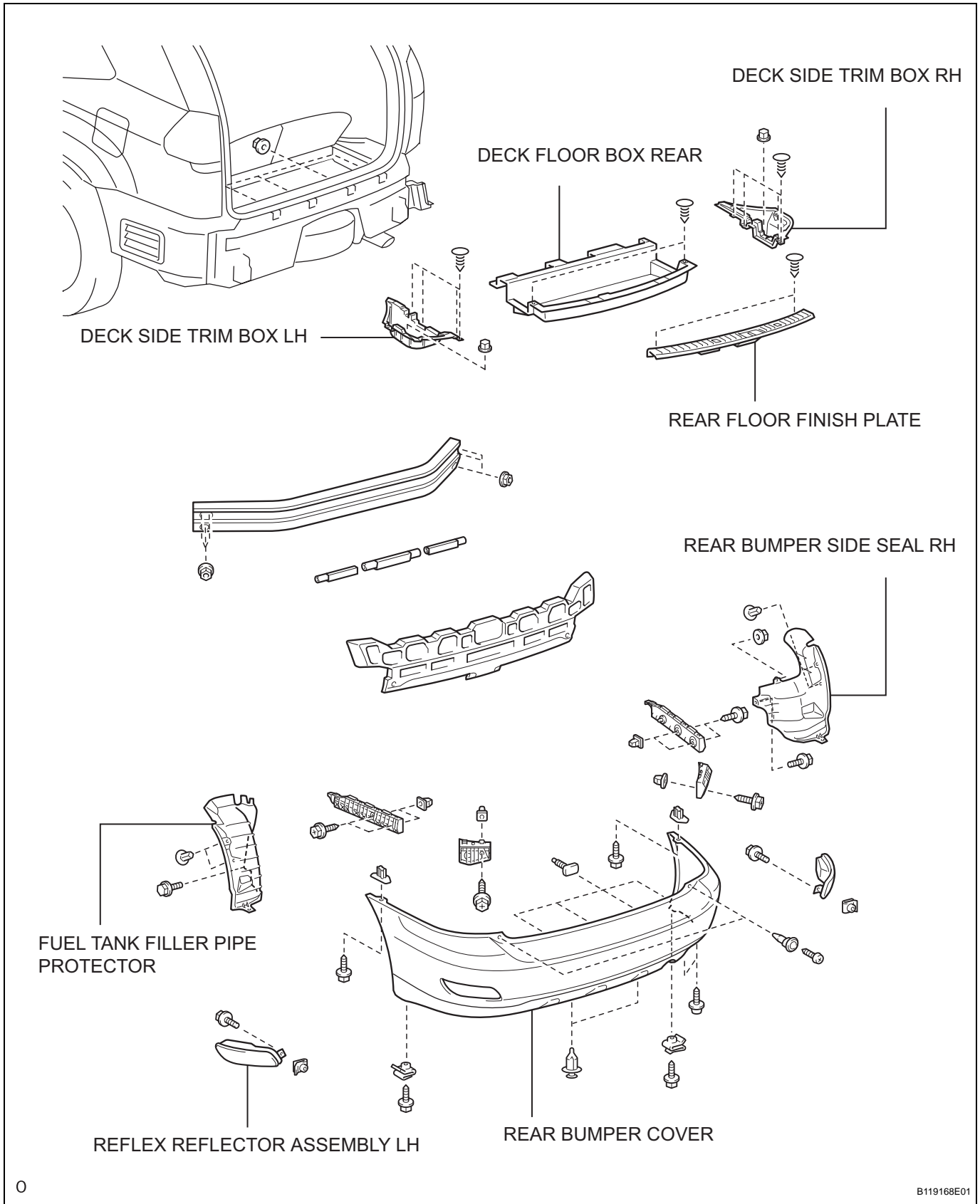


REAR SIDE MARKER LIGHT ASSEMBLY

COMPONENTS



REMOVAL

1. REMOVE REAR FLOOR FINISH PLATE (See page [IR-8](#))
2. REMOVE DECK FLOOR BOX REAR (See page [IR-8](#))
3. REMOVE DECK SIDE TRIM BOX LH (See page [IR-8](#))
4. REMOVE DECK SIDE TRIM BOX RH
5. REMOVE REAR BUMPER SIDE SEAL RH
6. REMOVE FUEL TANK FILLER PIPE PROTECTOR (See page [ET-6](#))
7. REMOVE REAR BUMPER COVER (See page [ET-6](#))
8. REMOVE REFLEX REFLECTOR ASSEMBLY LH
 - (a) Release the claw fitting and remove the screw and the reflex reflector assembly LH.

