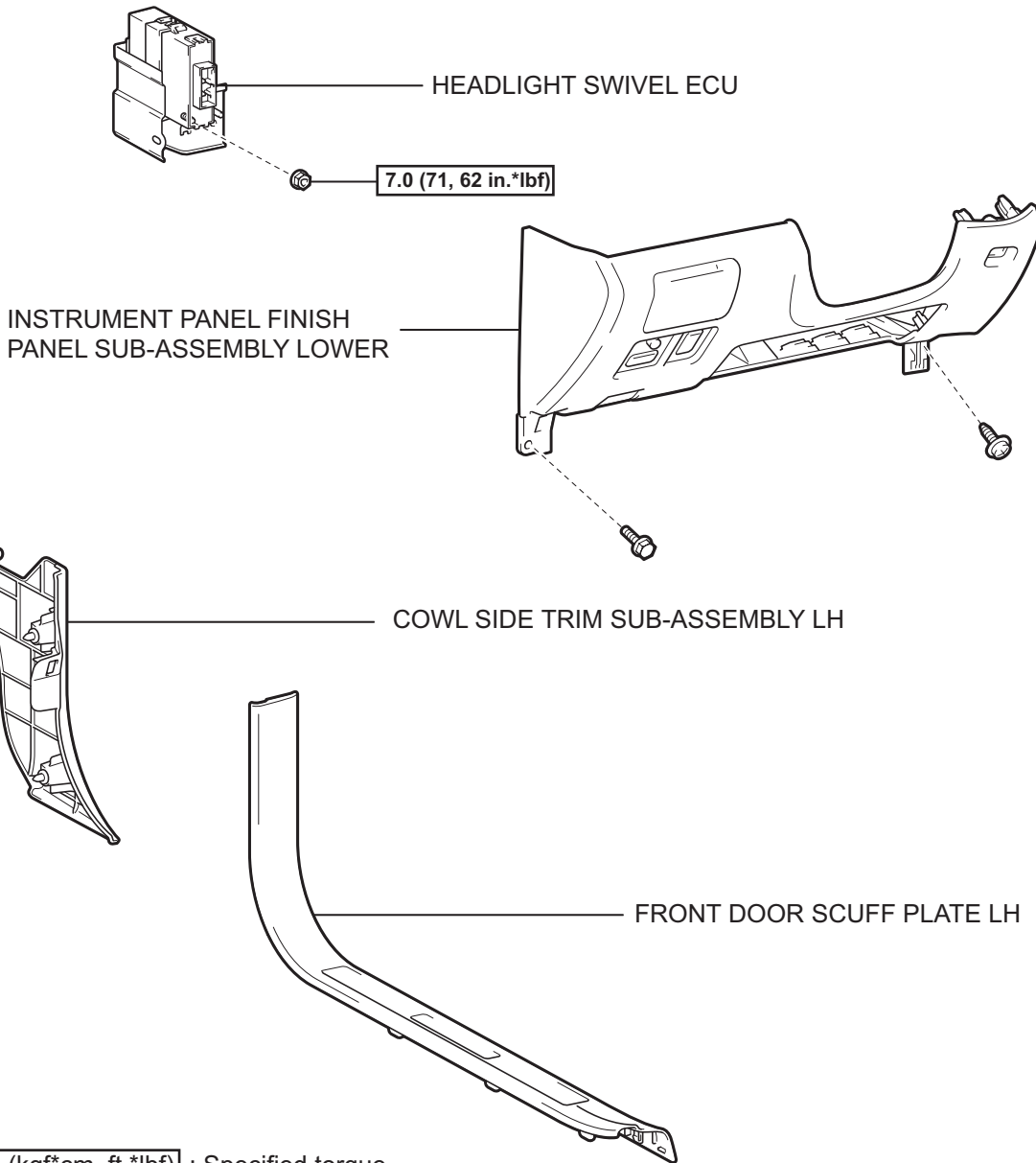


HEADLIGHT SWIVEL ECU

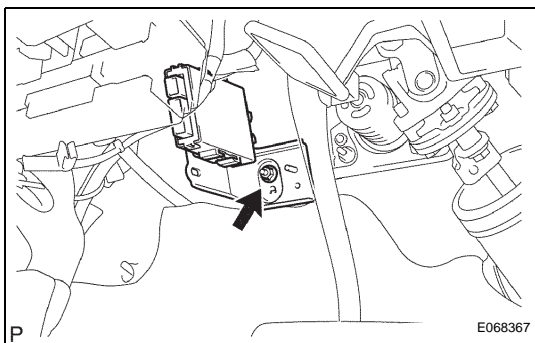
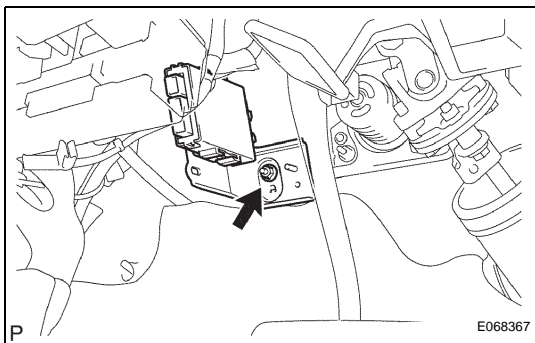
COMPONENTS



N*m (kgf*cm, ft.*lbf) : Specified torque

REMOVAL

1. **DISCONNECT CABLE FROM NEGATIVE BATTERY TERMINAL**
HINT:
(See page [RS-1](#))
2. **REMOVE FRONT DOOR SCUFF PLATE LH** (See page [IR-6](#))
3. **REMOVE COWL SIDE TRIM SUB-ASSEMBLY LH** (See page [IP-12](#))
4. **REMOVE INSTRUMENT PANEL FINISH PANEL SUB-ASSEMBLY LOWER** (See page [IP-12](#))
5. **REMOVE HEADLIGHT SWIVEL ECU**
 - (a) Disconnect the connector.
 - (b) Remove the nut and headlight swivel ECU.



INSTALLATION

1. **INSTALL HEADLIGHT SWIVEL ECU**
 - (a) Install the headlight swivel ECU with the nut.
Torque: 7.0 N*m (71 kgf*cm, 62 in.*lbf)
 - (b) Connect the connector.
2. **INSTALL INSTRUMENT PANEL FINISH PANEL SUB-ASSEMBLY LOWER** (See page [IP-29](#))
3. **INSTALL COWL SIDE TRIM SUB-ASSEMBLY LH** (See page [IP-29](#))
4. **INSTALL FRONT DOOR SCUFF PLATE LH**
5. **CONNECT CABLE FROM NEGATIVE BATTERY TERMINAL**
6. **PERFORM INITIALIZATION**