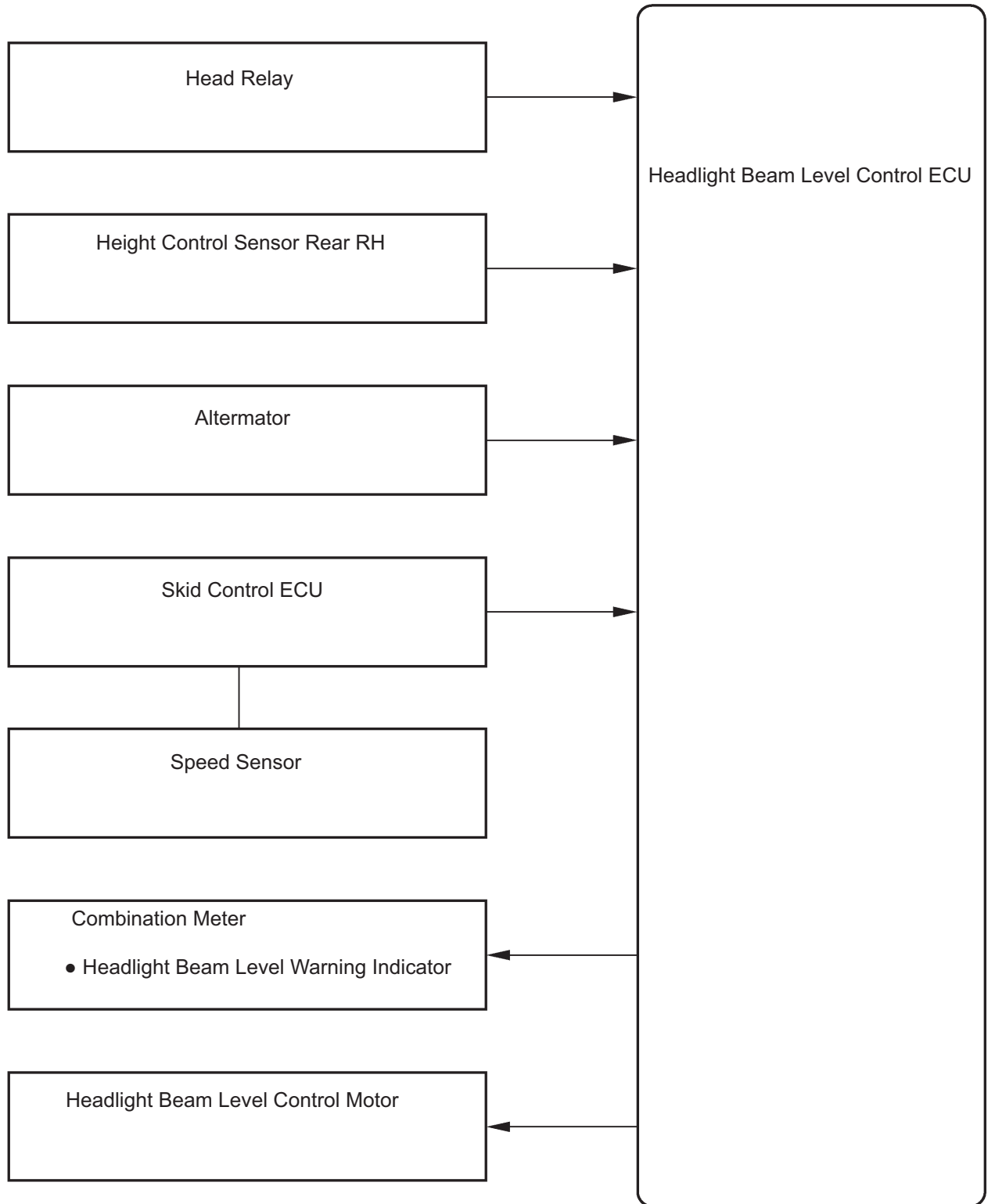


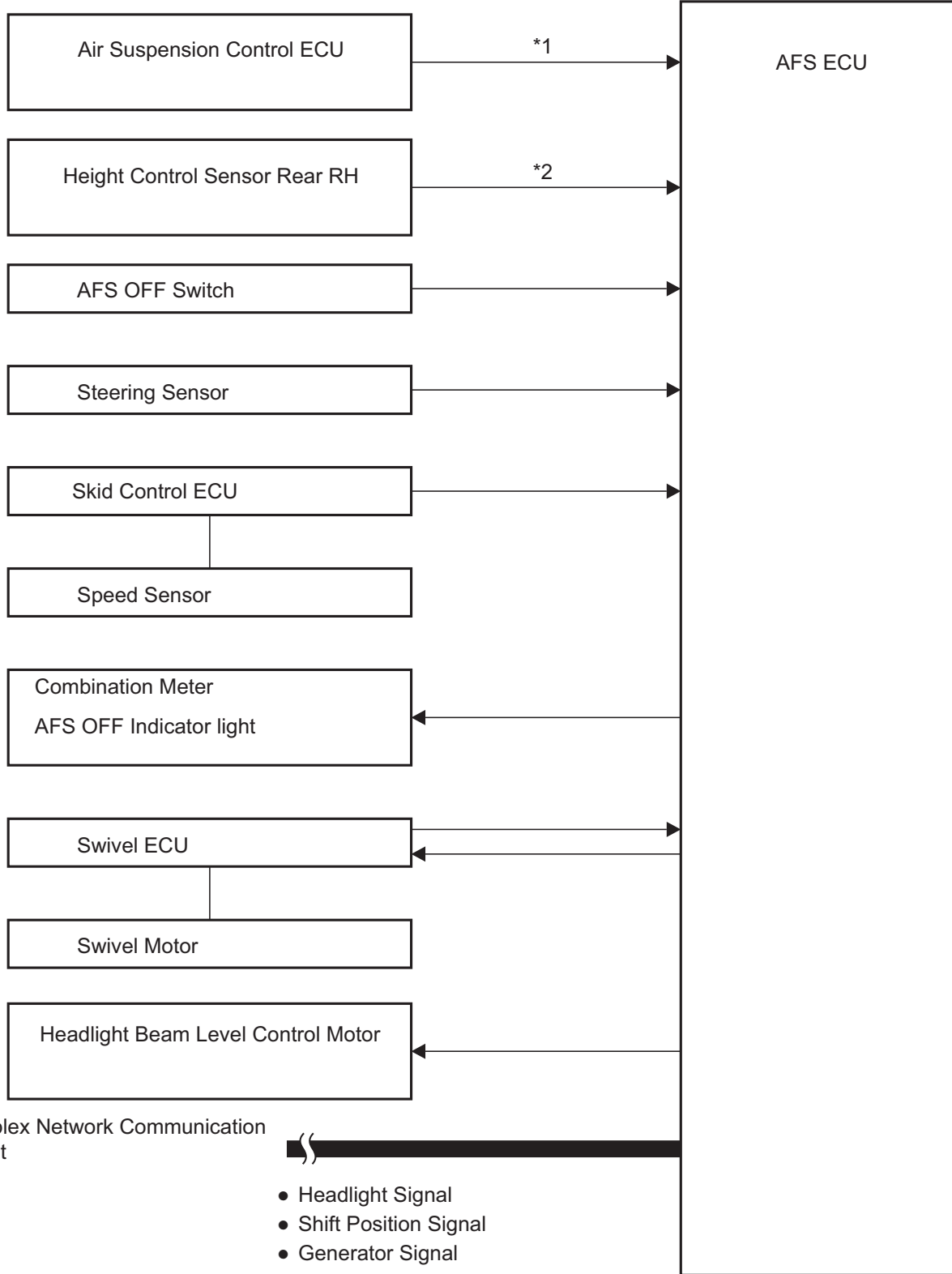
SYSTEM DIAGRAM

Headlight Beam Level Control System:



N • : Input Signal





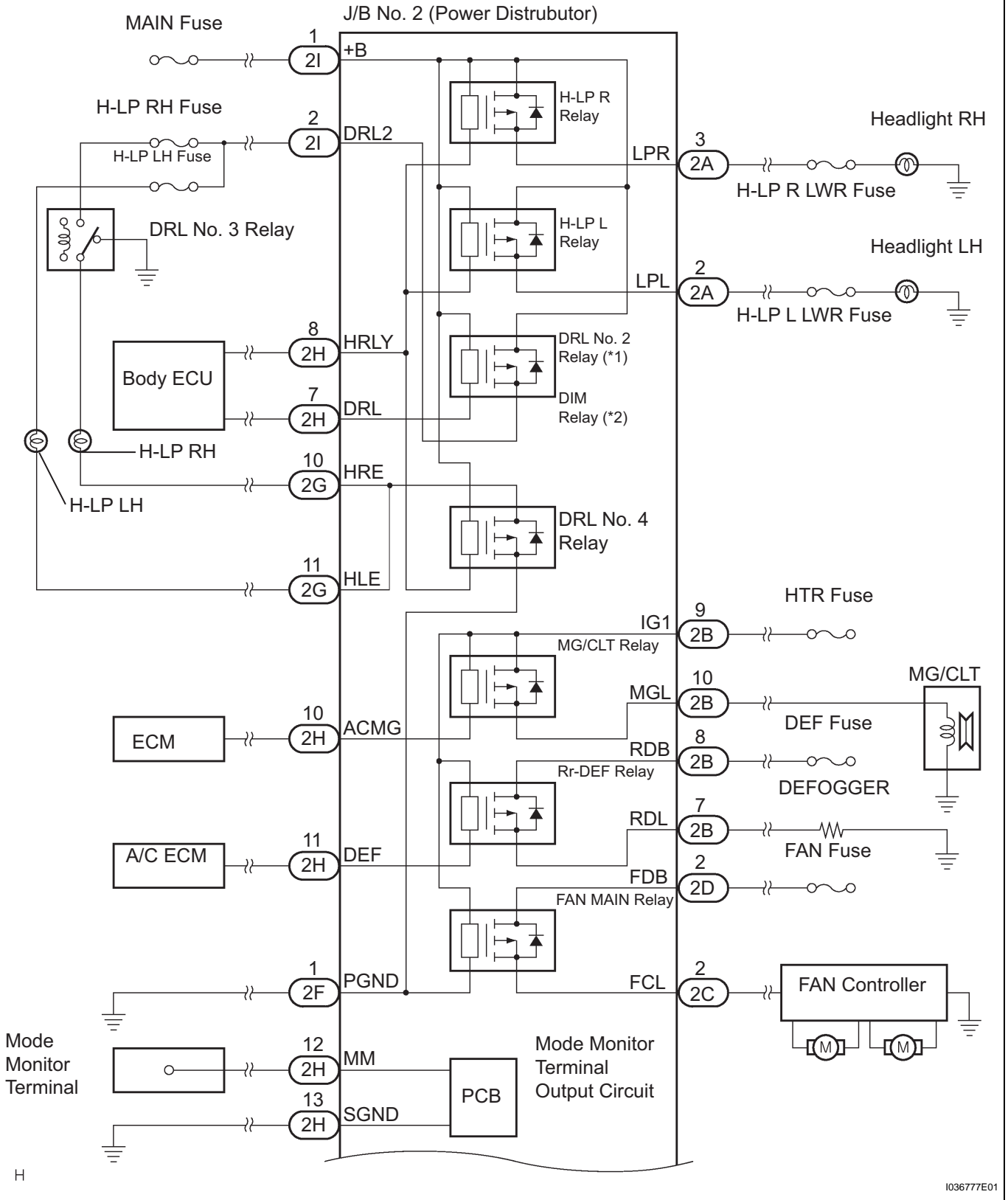
● : Input Signal

*1: w/ Air Suspension System

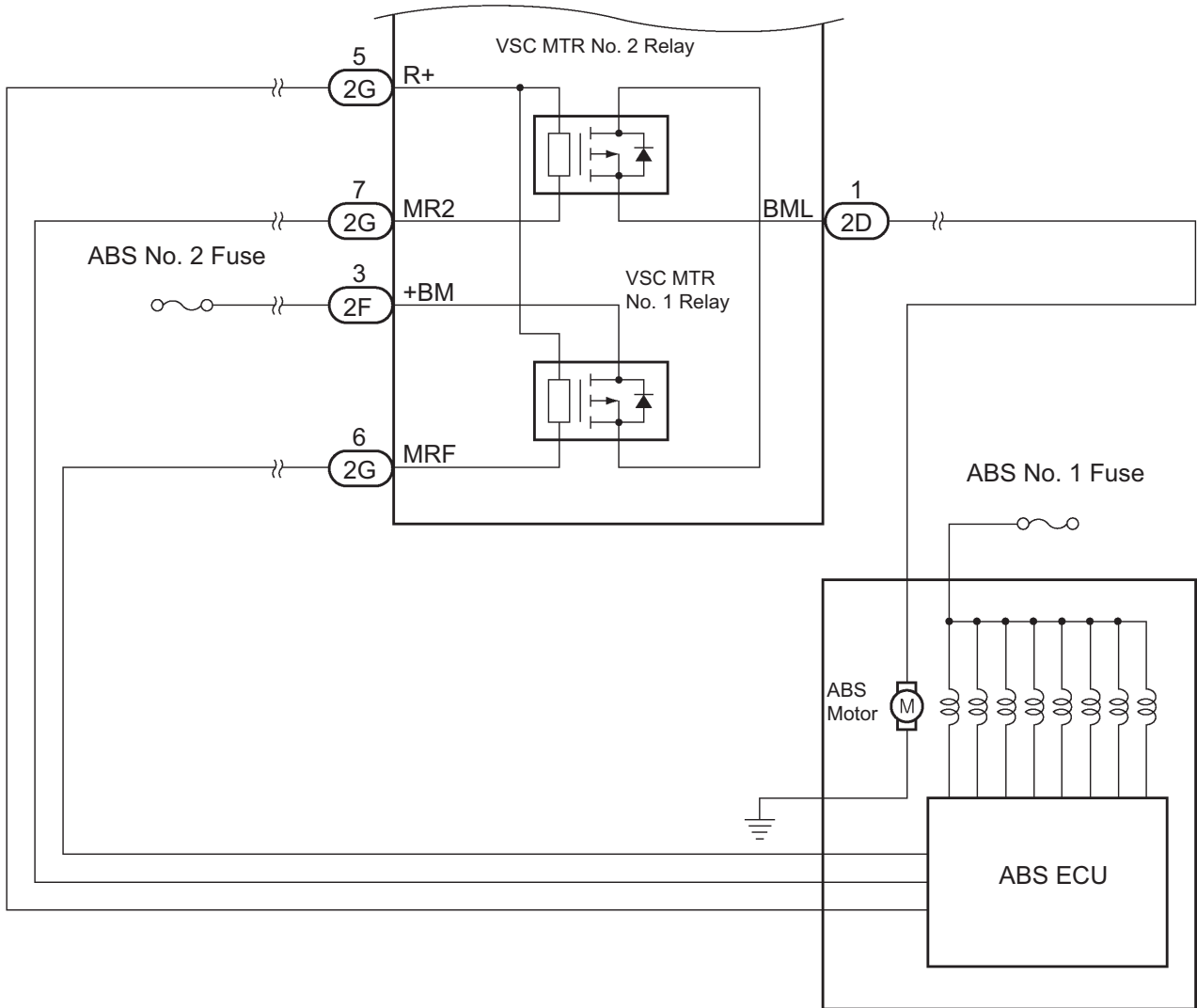
*2: w/o Air Suspension System

- Headlight Signal
- Shift Position Signal
- Generator Signal
- Vehicle Speed Signal

Power Distributor:



H



*1: w/ Daytime Running Light
*2: w/o Daytime Running Light