

## Mirror Motor Circuit

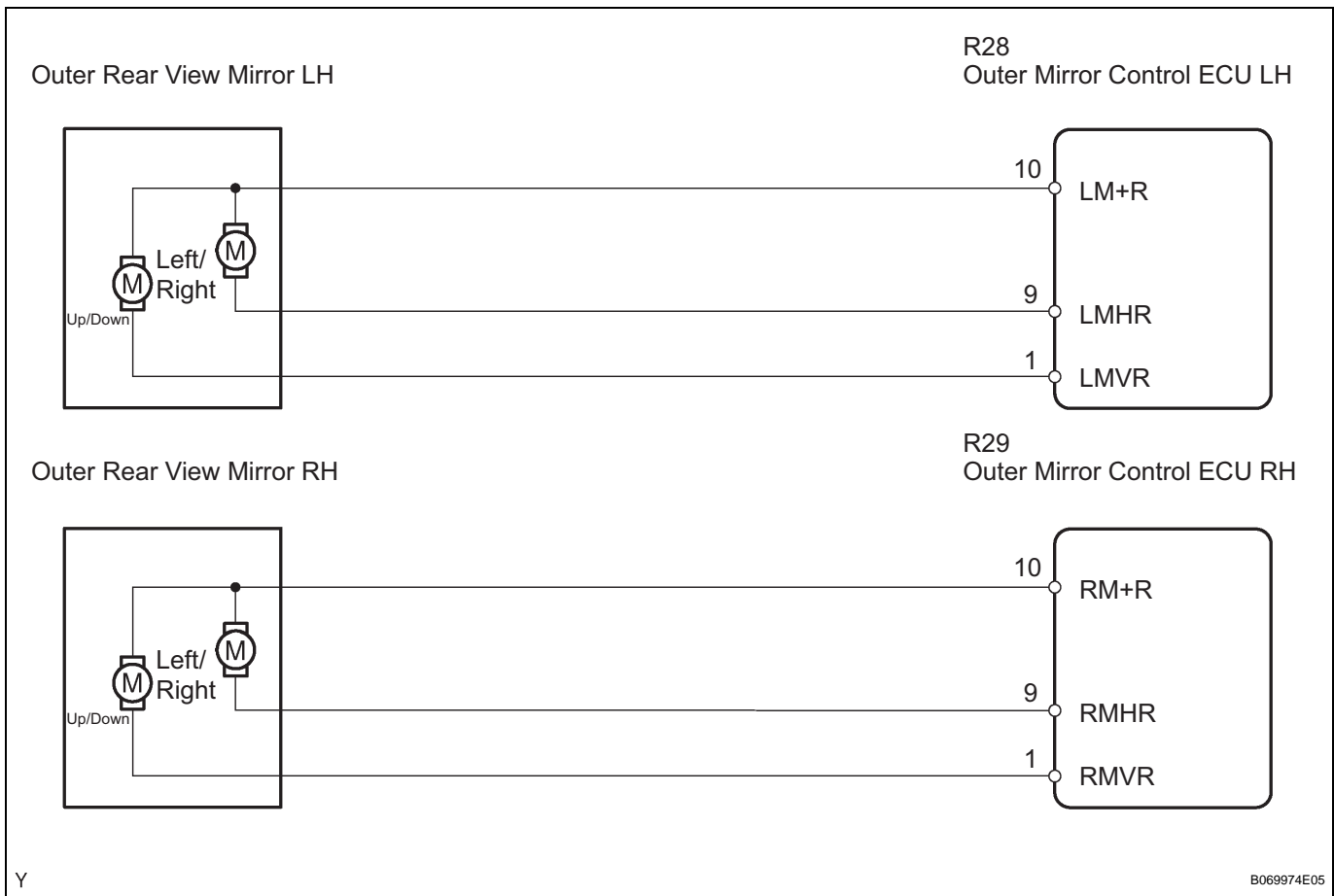
### DESCRIPTION

Mirror control switch and memorized mirror position signals (from the position control ECU & switch (seat ECU)) are sent to the mirror control ECU. The mirror control ECU moves the selected mirror UP, DOWN, LEFT and RIGHT in response to the input.

HINT:

The power mirror control system is a part of the multiplex communication system. This system features shared communication wiring that reduces the wiring complexity of the communication lines. The first step in any repair is to confirm the proper operation of the communication system. Proceed with troubleshooting after the communication has been verified (See the Multiplex Communication System).

### WIRING DIAGRAM



### 1 PERFORM ACTIVE TEST USING INTELLIGENT TESTER

- (a) Select the ACTIVE TEST, use the intelligent tester to issue a control command, and then check that the outer rear view mirrors.

#### MIRROR-L/MIRROR-R

Item	Test Details
MIRR UP/DOWN	Mirror vertical operation: UP/DOWN
MIRR RIGHT/LEFT	Mirror horizontal operation: RIGHT/LEFT

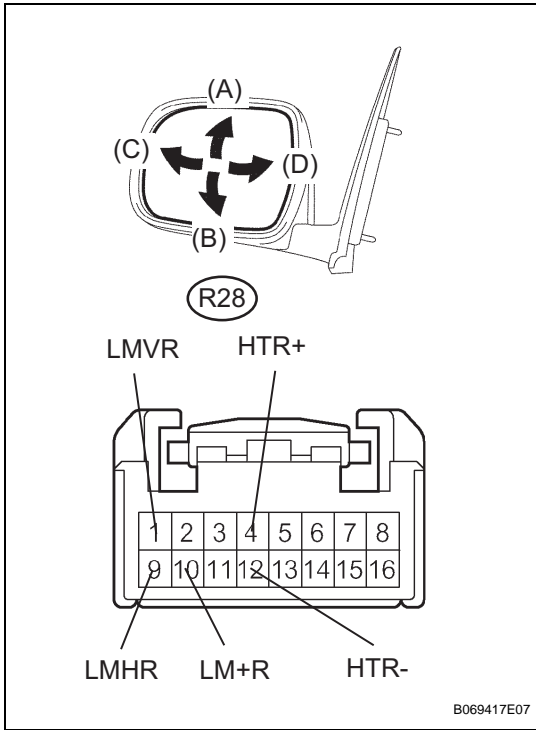
NG

Go to step 2

OK

REPLACE OUTER MIRROR CONTROL ECU

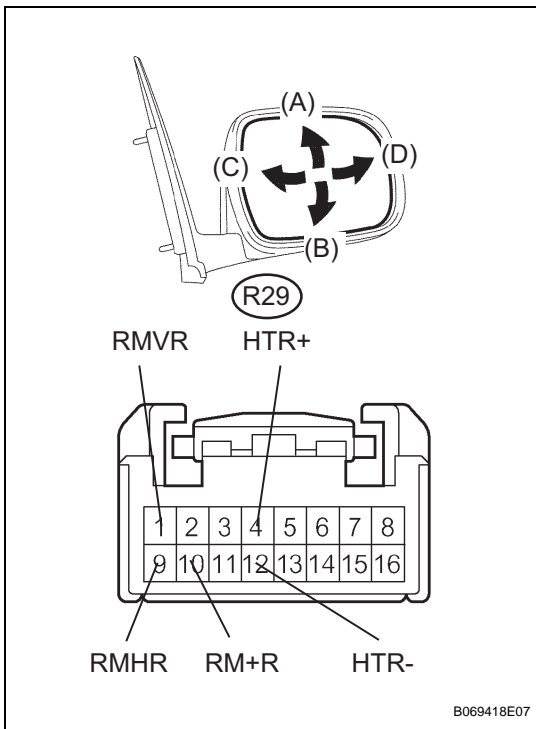
2 INSPECT OUTER REAR VIEW MIRROR



- (a) Outer rear view mirror LH:  
Disconnect the R28 connector.
- (b) Apply battery voltage and check operation of the mirror face.

Standard

Measurement Condition	Mirror Operation
Battery positive (+) → R28-1 (LMVR) Battery negative (-) → R28-10 (LM+R)	Turns upward (A)
Battery positive (+) → R28-10 (LM+R) Battery negative (-) → R28-1 (LMVR)	Turns downward (B)
Battery positive (+) → R28-9 (LMHR) Battery negative (-) → R28-10 (LM+R)	Turns left (C)
Battery positive (+) → R28-10 (LM+R) Battery negative (-) → R28-9 (LMHR)	Turns right (D)



- (c) Outer rear view mirror RH:  
Disconnect the R29 connector.
- (d) Apply battery voltage and check operation of the mirror face.

Standard

Measurement Condition	Mirror Operation
Battery positive (+) → R29-1 (RMVR) Battery negative (-) → R29-10 (RM+R)	Turns upward (A)
Battery positive (+) → R29-10 (RM+R) Battery negative (-) → R29-1 (RMVR)	Turns downward (B)
Battery positive (+) → R29-9 (RMHR) Battery negative (-) → R29-10 (RM+R)	Turns left (C)
Battery positive (+) → R29-10 (RM+R) Battery negative (-) → R29-9 (RMHR)	Turns right (D)

NG

REPLACE OUTER REAR VIEW MIRROR

OK

REPLACE OUTER MIRROR CONTROL ECU