

# REAR VIEW MONITOR SYSTEM

## PRECAUTION

**NOTICE:**

When disconnecting the cable from the negative (-) battery terminal, initialize the following system(s) after the cable is reconnected.

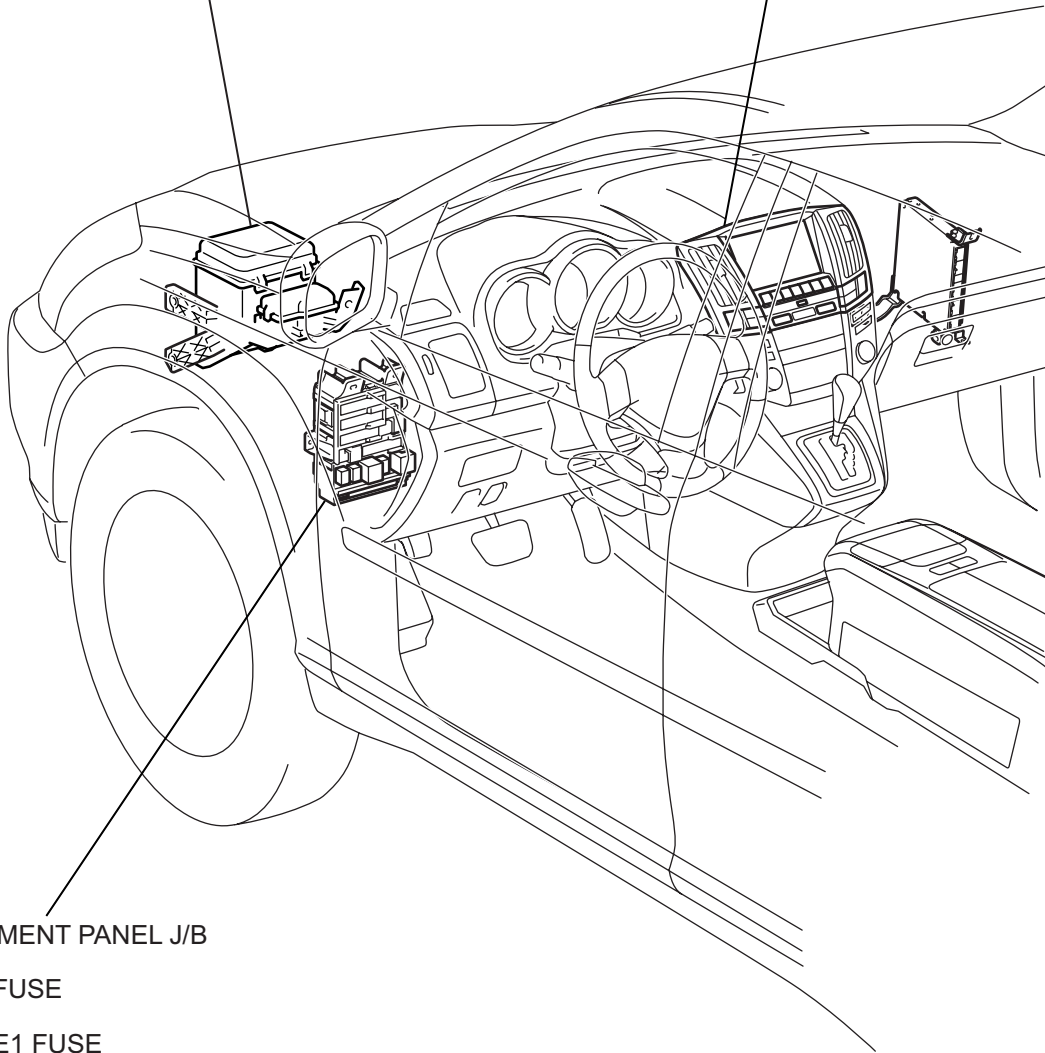
System Name	See procedure
Lighting System	LI-17
Sliding Roof System	RF-22 and RF-4
Power Windows Control System	WS-12
Power Back Door System	ED-33
Back Door Closer System	ED-6
Electrical Back Door Outside System	ED-69

# PARTS LOCATION

FUSIBLE LINK BLOCK

- ALT FUSE
- RADIO NO.1 FUSE
- INP-J/B FUSE

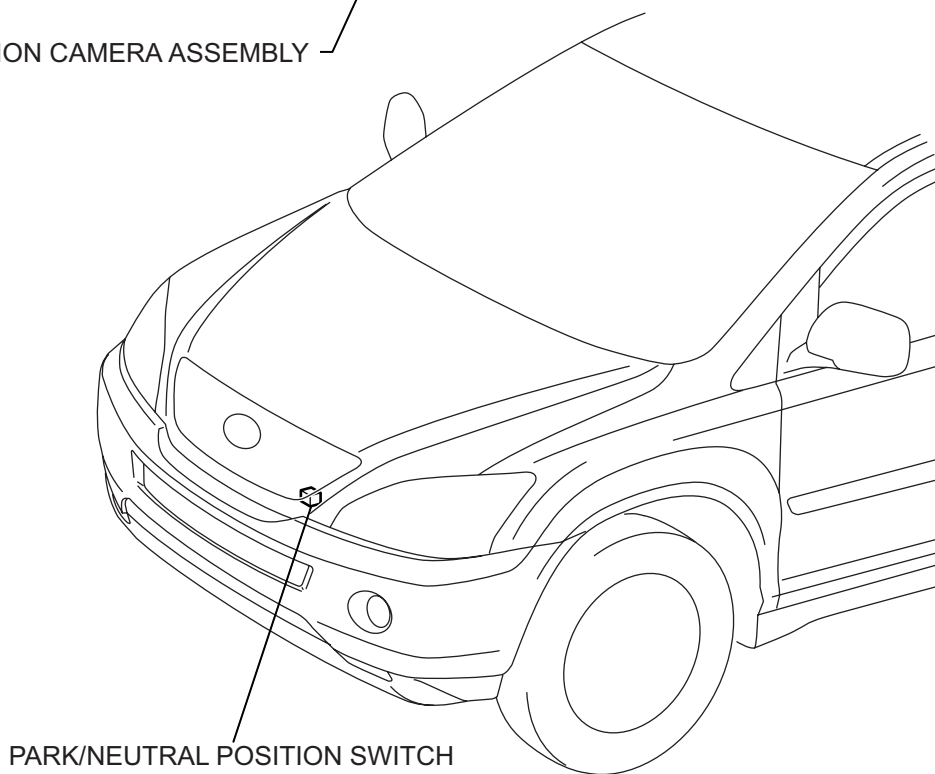
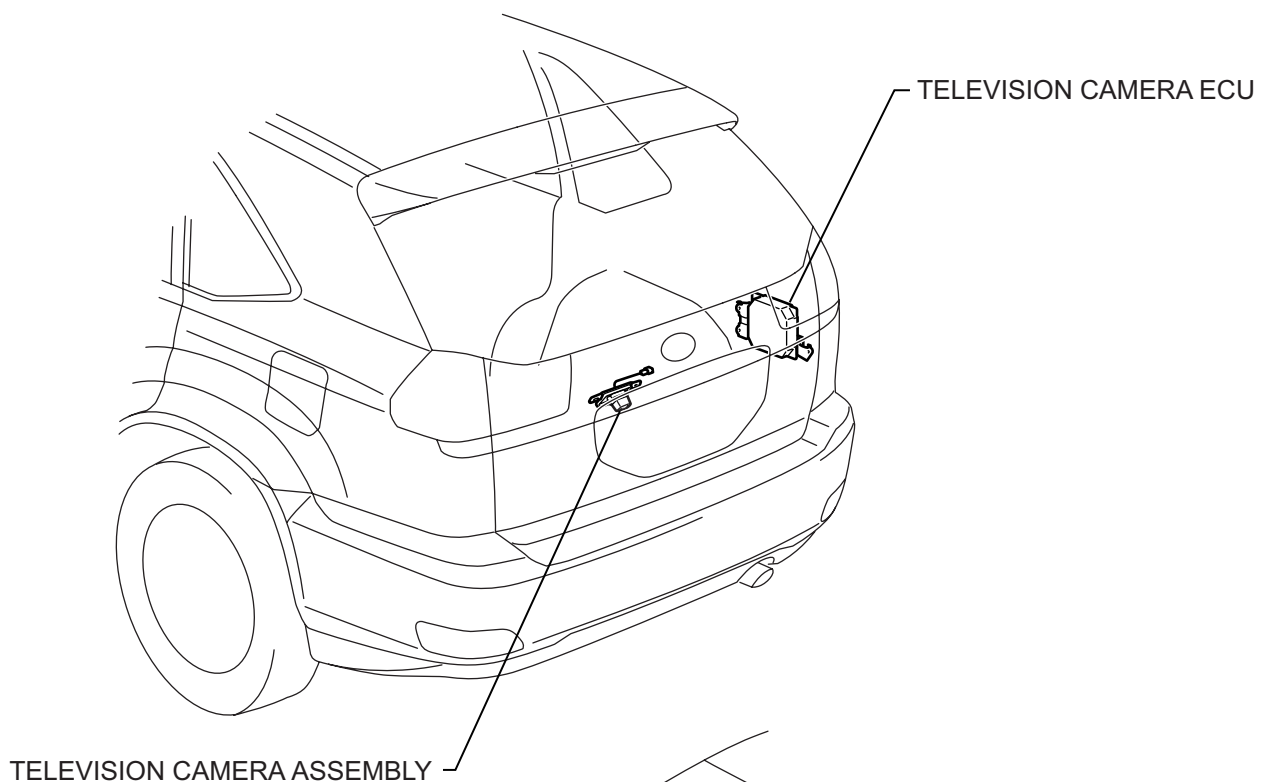
MULTI-DISPLAY ASSEMBLY



INSTRUMENT PANEL J/B

- RAD2 FUSE
- GAUGE1 FUSE
- ACC RELAY
- IG1 RELAY
- AM1 FUSE

PM



PM