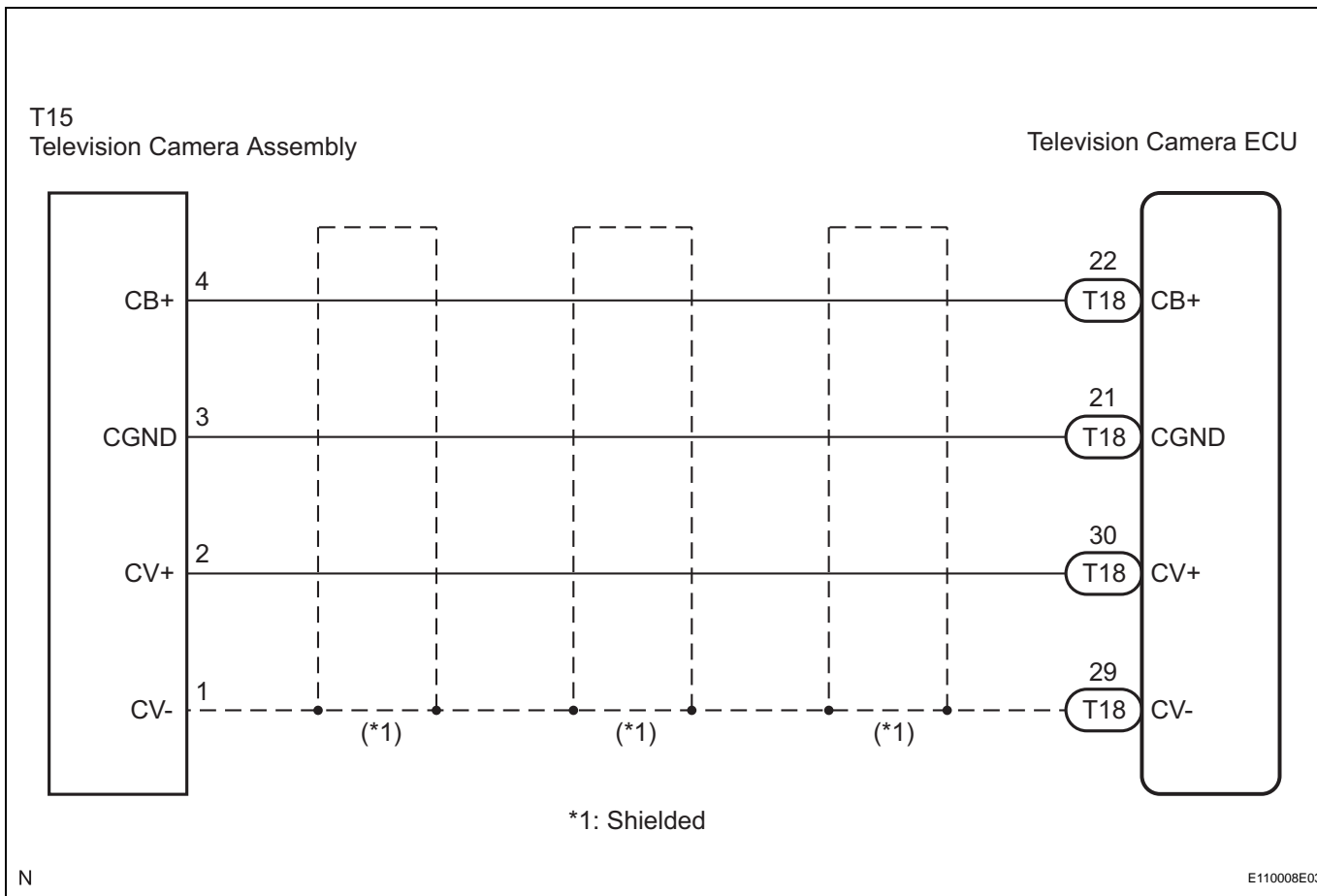


DTC	5C-40	Camera Picture Error
------------	--------------	-----------------------------

DESCRIPTION

DTC	DTC Detection Condition	Trouble Area
5C-40	Synchronous signal from the camera cannot be transmitted	Television camera ECU Television camera assembly Wire harness

WIRING DIAGRAM



1	CHECK NAVIGATION DISPLAY
----------	---------------------------------

(a) Check whether navigation display appears properly or not.

OK:

The navigation display properly appears.

HINT:

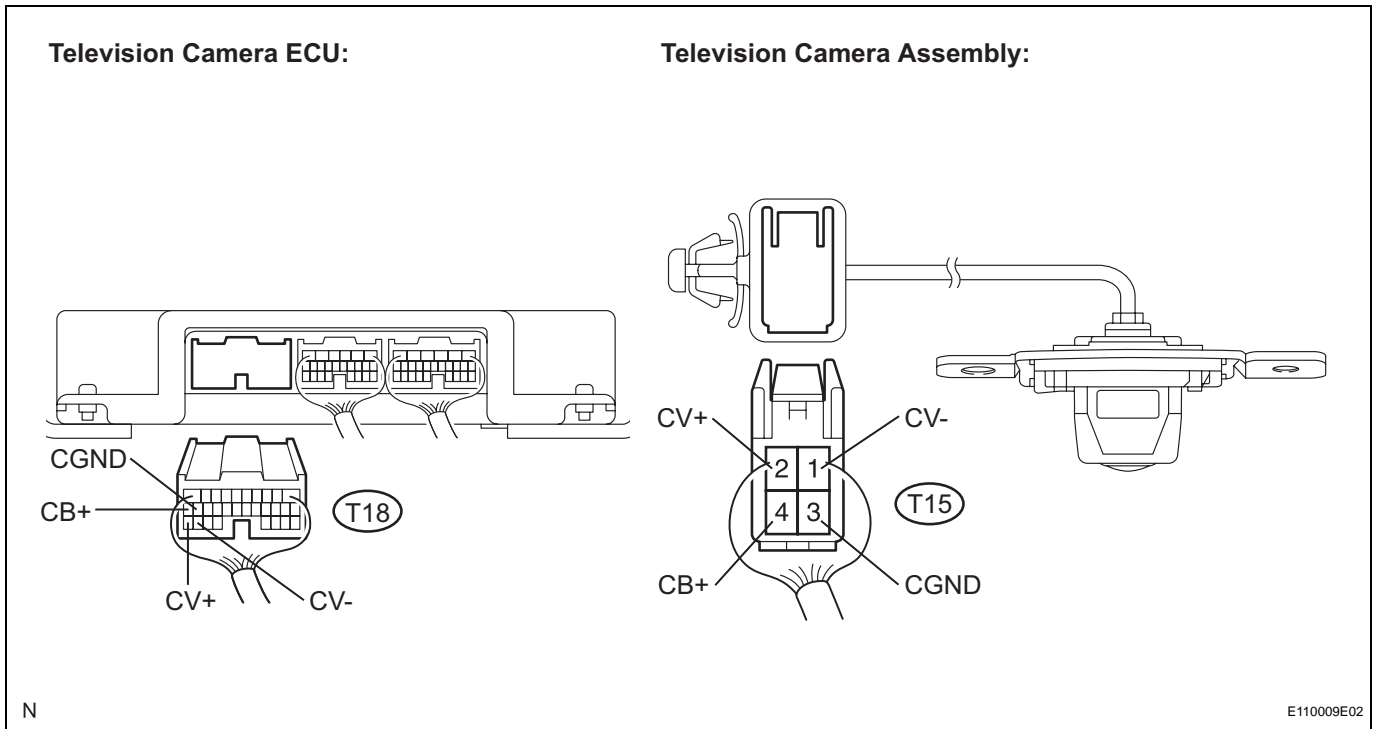
- When the navigation display has trouble, inspect the circuit between the television camera ECU and multi-display assembly (See page [NS-159](#)).
- When the navigation display is normal, inspect the circuit between the television camera ECU and television camera assembly by following the steps below.

NG INSPECT "DISPLAY SIGNAL CIRCUIT" OF LEXUS NAVIGATION SYSTEM

OK

2 CHECK HARNESS AND CONNECTOR (TELEVISION CAMERA ECU AND TELEVISION CAMERA ASSEMBLY)

- (a) Disconnect the T18 connector from the television camera ECU.
- (b) Disconnect the T15 connector from the television camera assembly.



- (c) Measure the resistance according to the value(s) in the table below.

Standard resistance

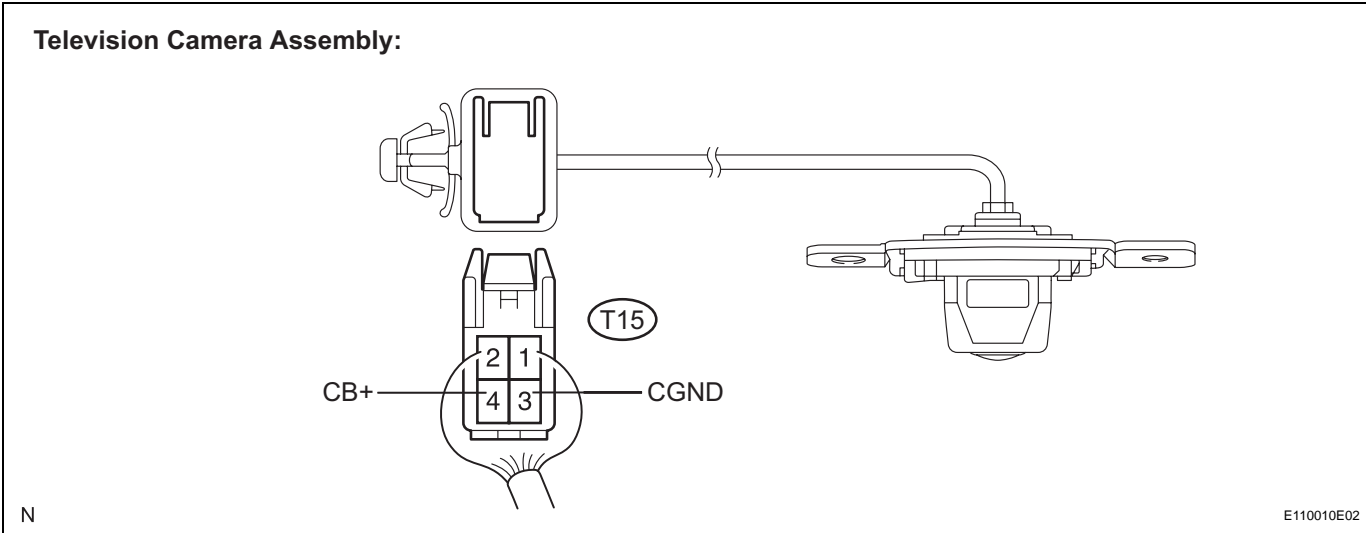
Tester connection (Terminal No.)	Condition	Specified condition
CB+ (T18-22) - CB+ (T15-4)	Always	Below 1 Ω
CGND (T18-21) - CGND (T15-3)	Always	Below 1 Ω
CV+ (T18-30) - CV+ (T15-2)	Always	Below 1 Ω
CV- (T18-29) - CV- (T15-1)	Always	Below 1 Ω
CB+ (T18-22) - Body ground	Always	10 kΩ or higher
CGND (T18-21) - Body ground	Always	10 kΩ or higher
CV+ (T18-30) - Body ground	Always	10 kΩ or higher
CV- (T18-29) - Body ground	Always	10 kΩ or higher

NG REPAIR OR REPLACE HARNESS OR CONNECTOR

OK

3 INSPECT TELEVISION CAMERA ECU

(a) Connect the T18 connector to the television camera ECU.



(b) Measure the voltage according to the value(s) in the table below.

Standard voltage

Tester connection (Terminal No.)	Condition	Specified condition
CB+ (T15-4) - CGND (T15-3)	IG SW ON, shift lever R position	Approx. 6 V

NG → **REPLACE TELEVISION CAMERA ECU**

OK

REPLACE TELEVISION CAMERA ASSEMBLY