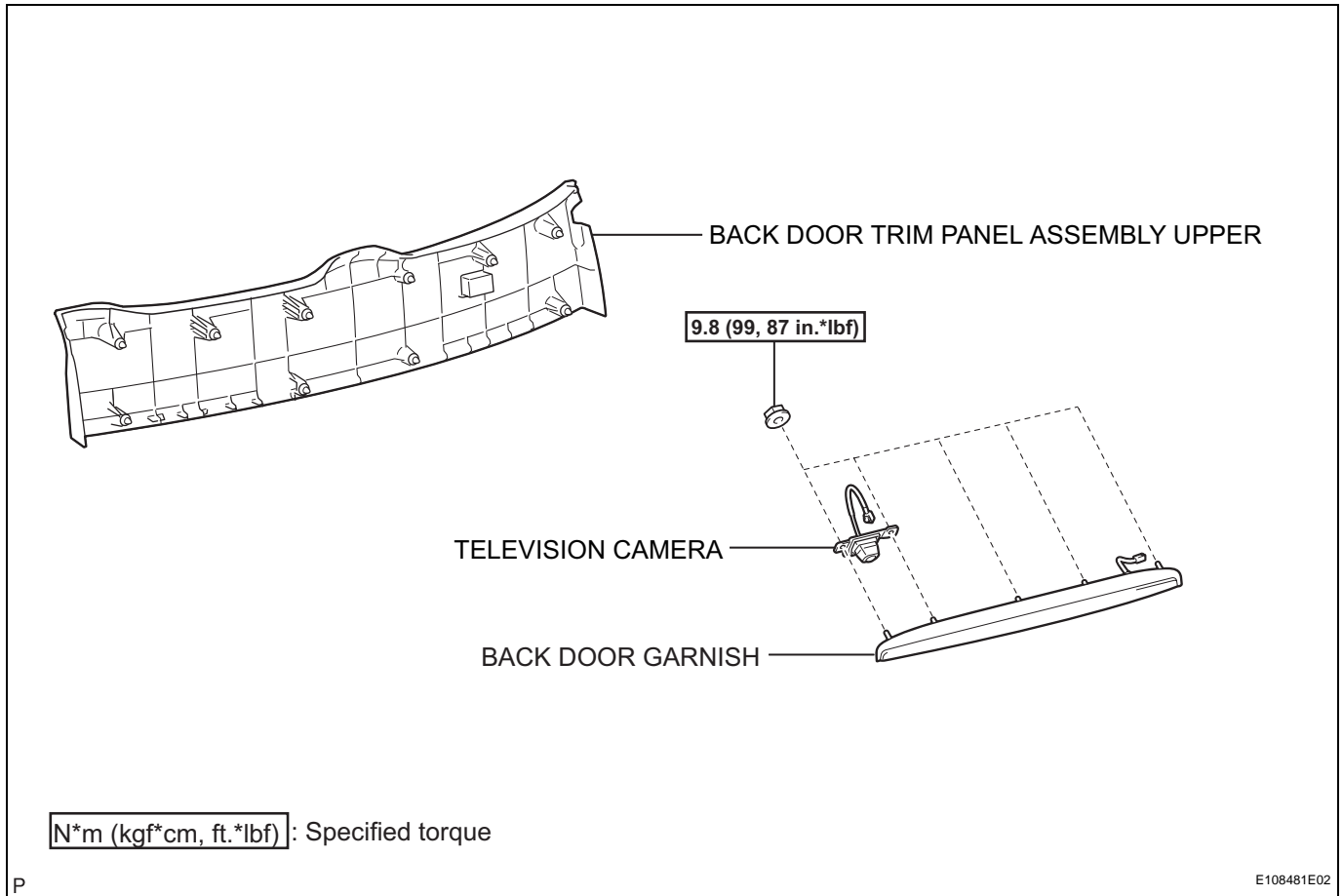


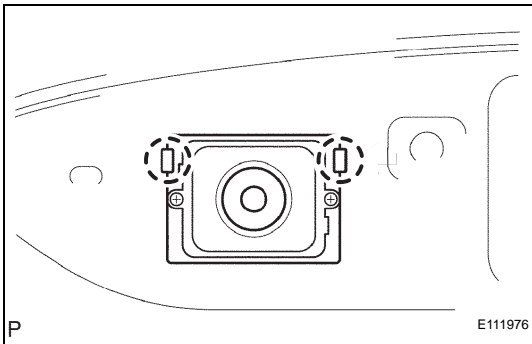
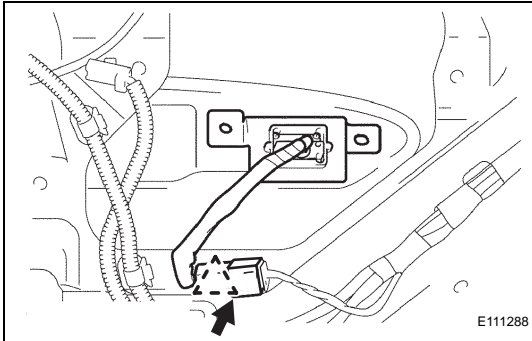
# TELEVISION CAMERA

## COMPONENTS

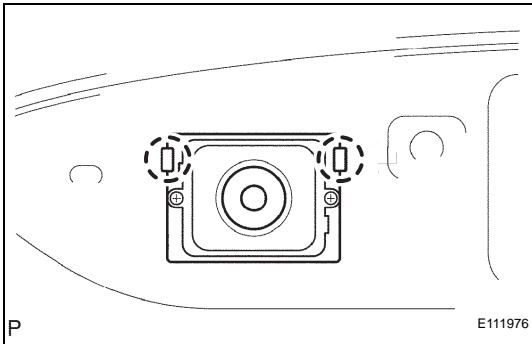


## REMOVAL

1. REMOVE BACK DOOR TRIM PANEL ASSEMBLY UPPER (See page [ED-124](#))
2. REMOVE BACK DOOR GARNISH (See page [ET-35](#))
3. REMOVE TELEVISION CAMERA
  - (a) Disconnect the connector and disengage the clamp.



- (b) Disengage the 2 claws and remove the television camera.



## INSTALLATION

1. INSTALL TELEVISION CAMERA
  - (a) Engage the 2 claws and install the television camera.

- (b) Engage the clamp and connect the connector.

2. INSTALL BACK DOOR GARNISH (See page [ET-35](#))
3. INSTALL BACK DOOR TRIM PANEL ASSEMBLY UPPER

