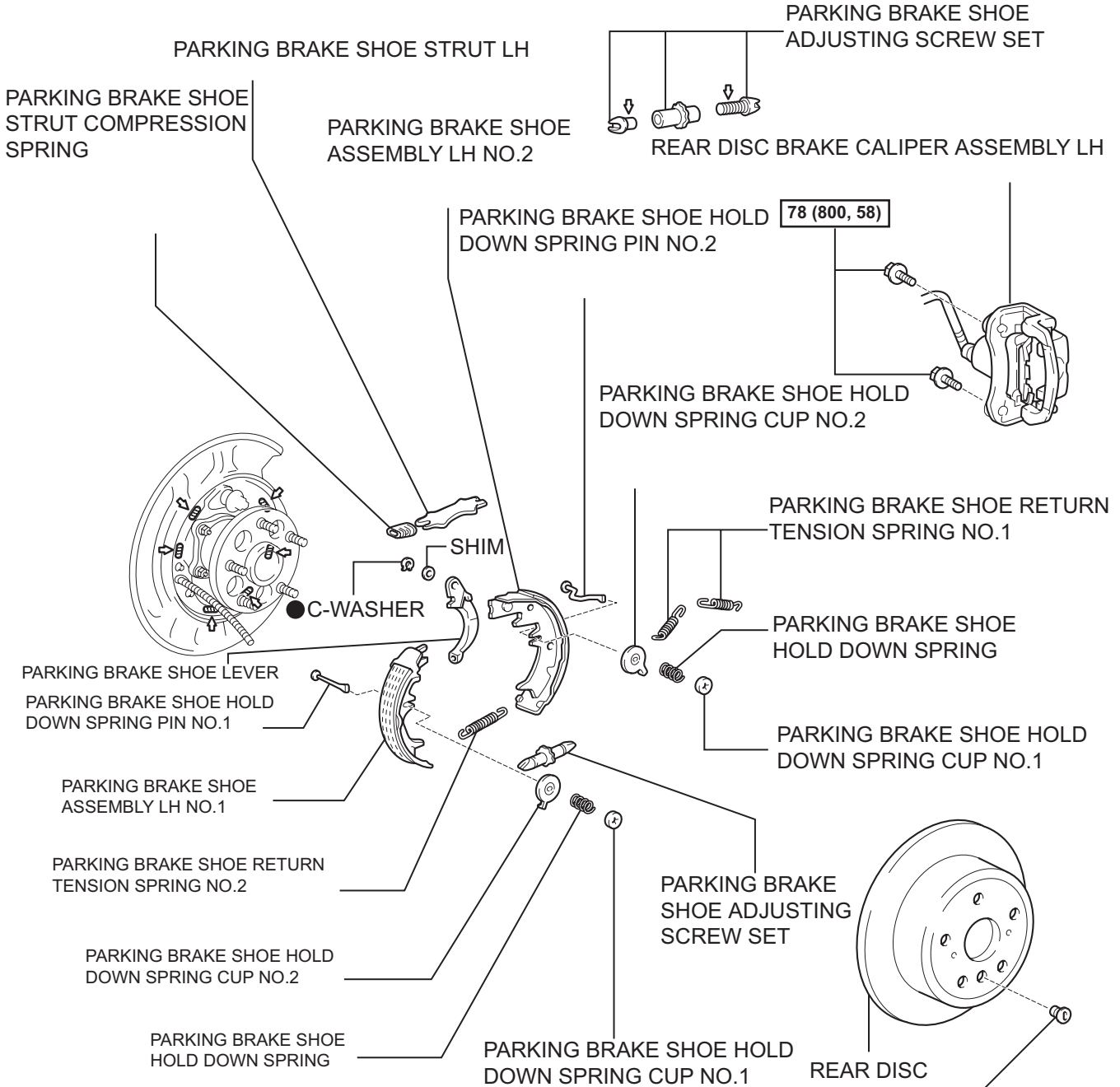


# PARKING BRAKE ASSEMBLY

## COMPONENTS

PB

FF:



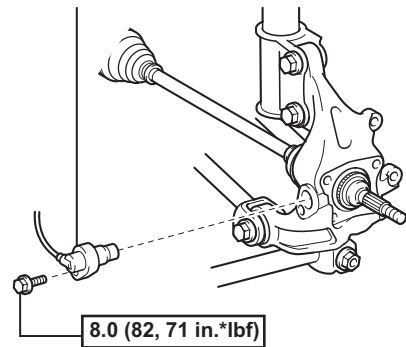
$N*m$  (kgf\*cm, ft.\*lbf) : Specified torque

● Non-reusable part

c ← High Temperature grease

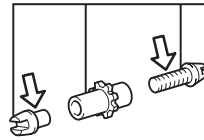
4WD:

SPEED SENSOR RR LH

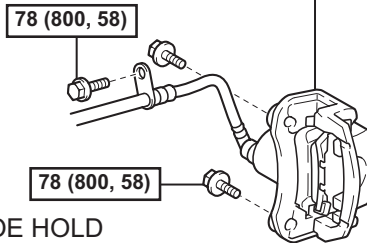


8.0 (82, 71 in.\*lbf)

PARKING BRAKE SHOE ADJUSTING SCREW SET



REAR DISC BRAKE CALIPER ASSEMBLY LH



PARKING BRAKE SHOE STRUT COMPRESSION SPRING

PARKING BRAKE SHOE STRUT LH DOWN SPRING PIN NO.2



PARKING BRAKE SHOE HOLD DOWN SPRING PIN NO.2

PARKING BRAKE SHOE RETURN TENSION SPRING NO.1

PARKING BRAKE SHOE HOLD DOWN SPRING CUP NO.2

PARKING BRAKE SHOE HOLD DOWN SPRING

PARKING BRAKE SHOE HOLD DOWN SPRING CUP NO.1

PARKING BRAKE SHOE HOLD DOWN SPRING PIN NO.1

PARKING BRAKE SHOE ASSEMBLY LH NO.1

PARKING BRAKE SHOE RETURN TENSION SPRING NO.2

PARKING BRAKE SHOE ADJUSTING SCREW SET

PARKING BRAKE SHOE HOLD DOWN SPRING CUP NO.2

PARKING BRAKE SHOE HOLD DOWN SPRING

● C-EASHER

SHIM

75 (765, 55)

● REAR AXLE SHAFT NUT

294 (3,000, 217)

75 (765, 55)

REAR DISC

REAR AXLE HUB & BEARING ASSEMBLY LH

PARKING BRAKE SHOE ADJUSTING HOLE PLUG

N\*m (kgf\*cm, ft.\*lbf) : Specified torque

● Non-reusable part

↔ High Temperature grease

P