

DISASSEMBLY

HINT:

Replace the RH side using the same procedures as the LH side.

1. REMOVE REAR WHEEL
2. SEPARATE REAR DISC BRAKE CALIPER ASSEMBLY LH

- (a) Remove the 2 bolts and separate the rear disc brake caliper assembly LH.

HINT:

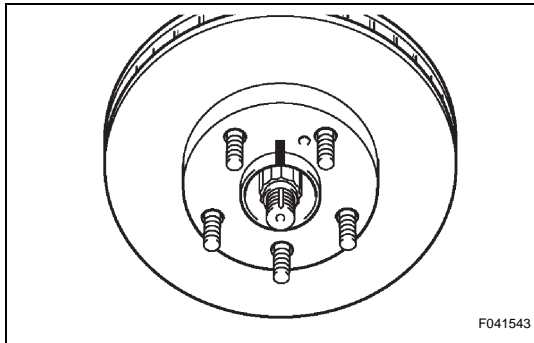
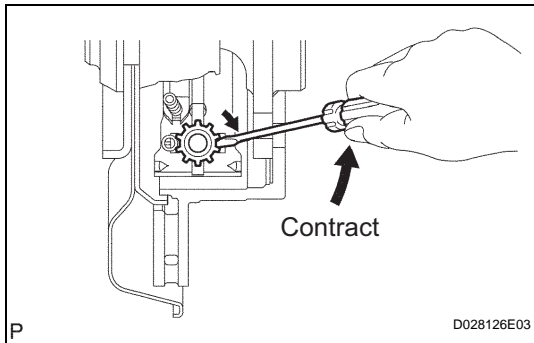
Do not disconnect the flexible hose from the disc brake caliper assembly LH.

3. REMOVE REAR DISC

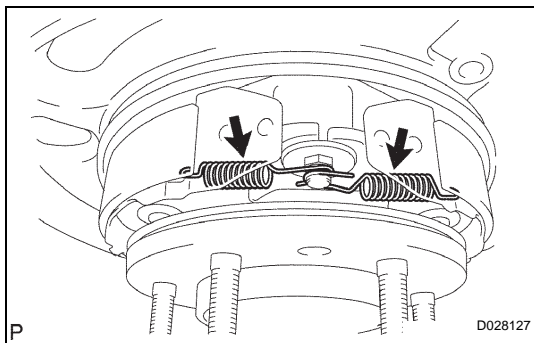
- (a) Release the parking brake, and remove the rear disc.

HINT:

If the disc cannot be removed easily, turn the shoe adjuster until the wheel turns freely.



- (b) Place matchmarks on the rear disc and the axle hub.
- (c) Remove the rear disc.

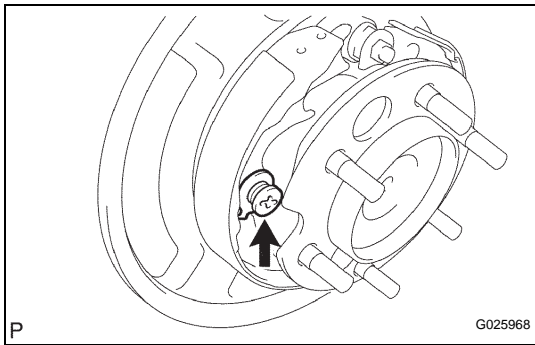


4. REMOVE PARKING BRAKE SHOE RETURN TENSION SPRING

- (a) Using needle-nose pliers, remove the 2 parking brake shoe return tension springs No.1.

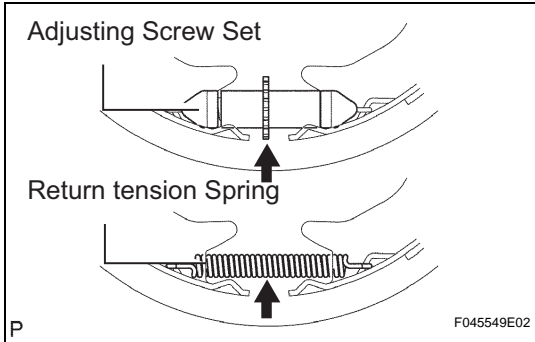
5. REMOVE PARKING BRAKE SHOE STRUT SET LH

- (a) Remove the parking brake shoe strut LH and the parking brake shoe strut compression spring.



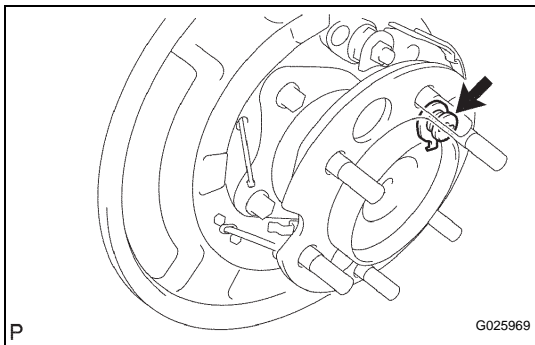
6. REMOVE PARKING BRAKE SHOE ASSEMBLY LH NO.1

- (a) Remove the parking brake shoe hold down spring cup No.1, parking brake shoe hold down spring and parking brake shoe hold down spring cup No.2.
- (b) FF:
Remove the parking brake shoe hold down spring pin No.1.
- (c) Disconnect the parking brake shoe return spring No.2 and remove the parking brake shoe assembly LH No.1.



7. REMOVE PARKING BRAKE SHOE ADJUSTING SCREW SET LH

- (a) Remove the parking brake shoe adjusting screw set.
- (b) Remove the parking brake shoe return tension spring No.2.



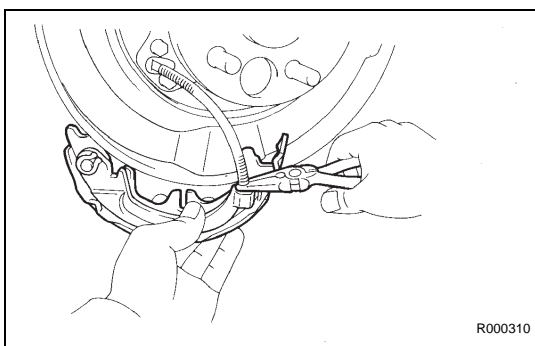
8. REMOVE PARKING BRAKE SHOE ASSEMBLY LH NO.2

- (a) Remove the parking brake shoe hold down spring cup No.1, parking brake shoe hold down spring, parking brake shoe hold down spring cup No.2 and parking brake shoe hold down spring pin No.2.
- (b) Remove the parking brake shoe assembly LH No.2.

- (c) Using needle-nose pliers, disconnect the parking brake cable No.3 from the parking brake cable shoe lever.

NOTICE:

Be careful not to damage parking brake cable No.3.



9. SEPARATE SPEED SENSOR REAR LH (for 4WD) (See page AH-28)

10. REMOVE REAR AXLE SHAFT LH NUT (for 4WD) (See page AH-28)

11. REMOVE REAR AXLE HUB & BEARING ASSEMBLY LH (for 4WD) (See page AH-28)