

FRONT POWER SEAT CONTROL SYSTEM (w/ Memory)

PRECAUTION

1. GENERAL PRECAUTION

- (a) When using the battery during inspection, do not bring the positive and negative tester probes too close to each other as a short circuit may occur.

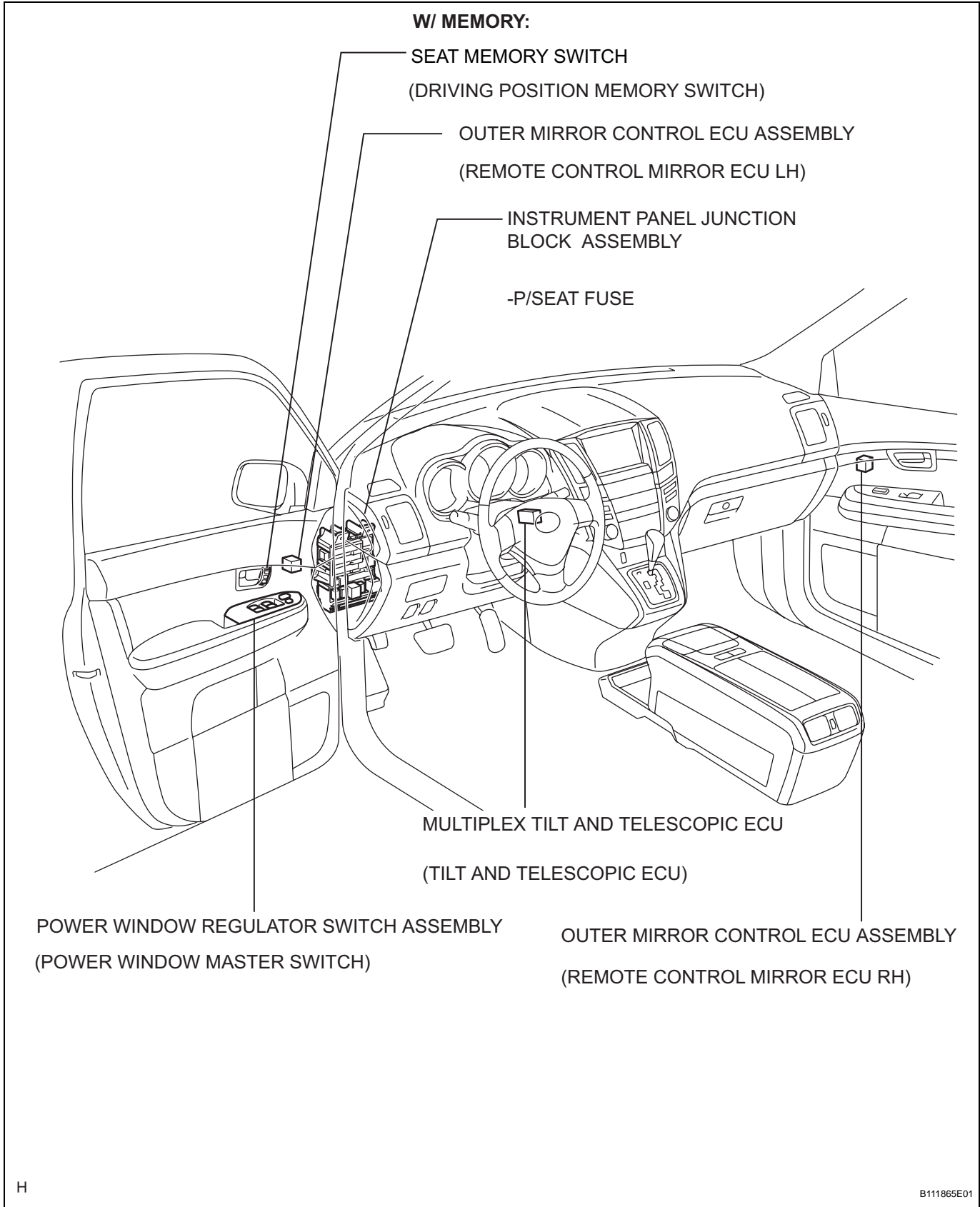
2. PRECAUTION OF DISCONNECTING BATTERY TERMINAL

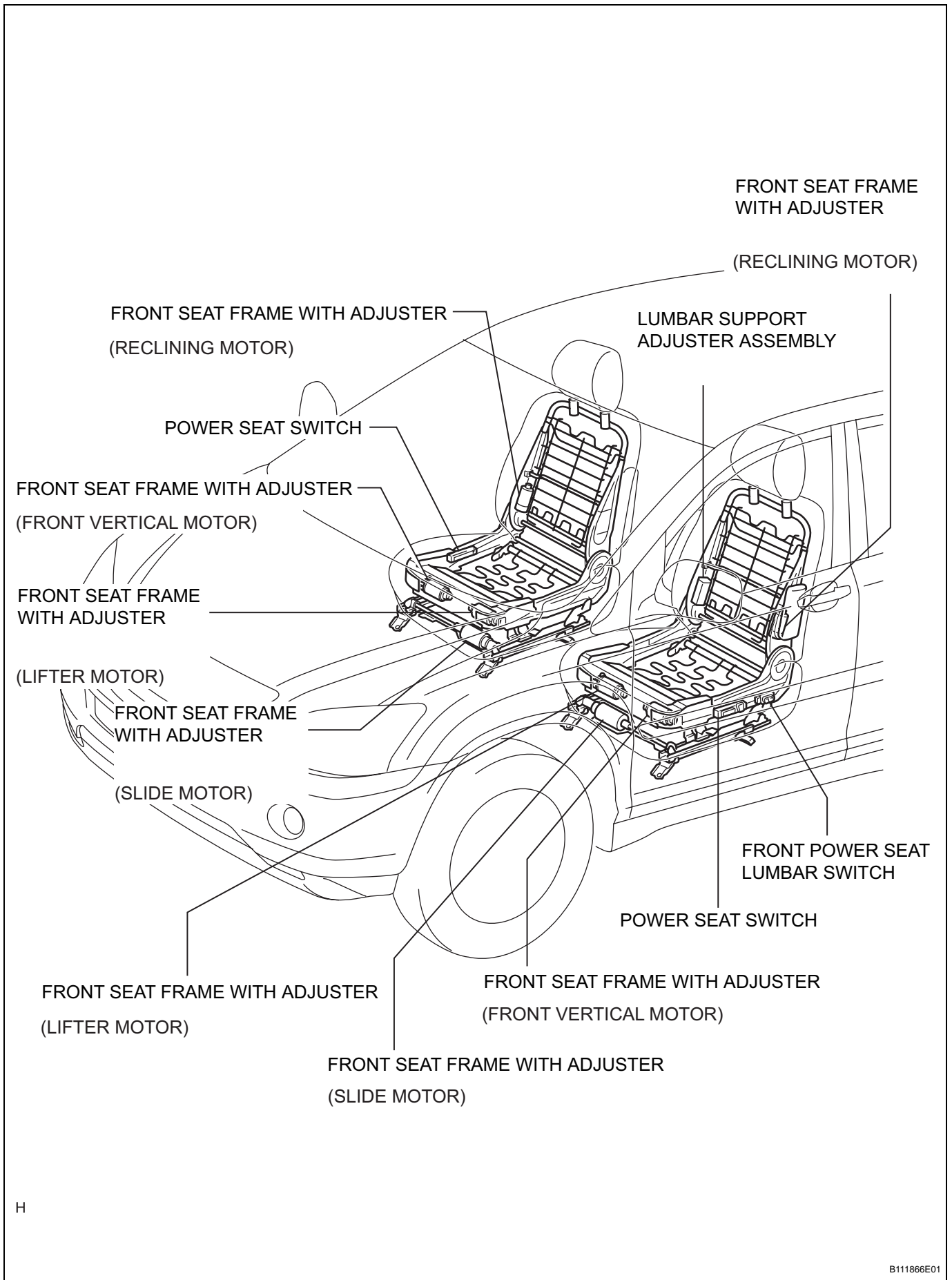
NOTICE:

When disconnecting the negative (-) battery cable, initialize the following system(s) after the cable is reconnected.

System Name	See Procedure
Lighting System (Adaptive Front-Lighting System)	LI-17
Power Window Control System	WS-12
Power Back Door System	ED-33
Sliding Roof System	RF-22 and RF-4

PARTS LOCATION





SE

H