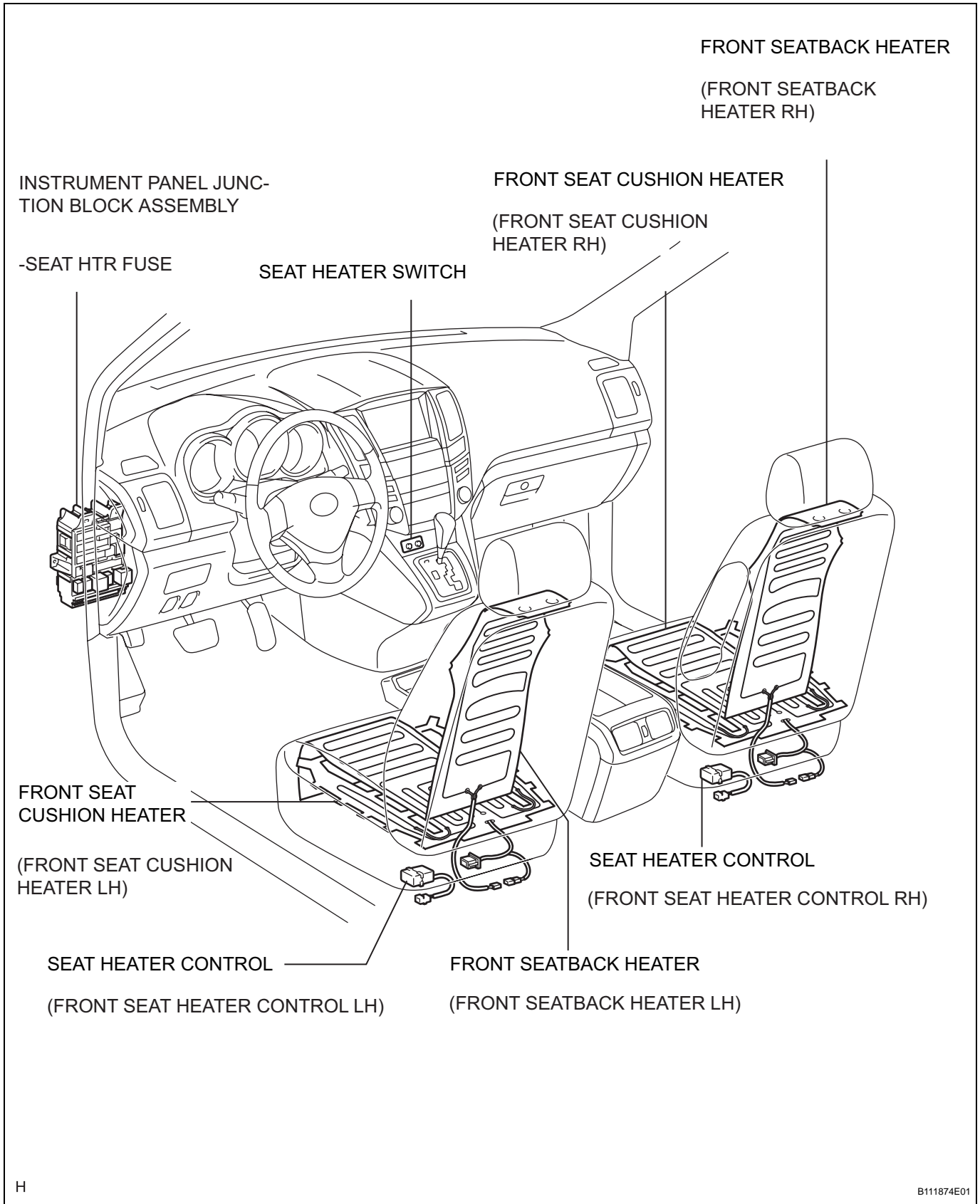


# SEAT HEATER SYSTEM

## PARTS LOCATION



## SYSTEM DESCRIPTION

### 1. GENERAL DESCRIPTION

- (a) By operating the seat heater switch, which is located in the instrument panel, the temperature can be controlled within the range of 30 to 40°C (86 to 104°F).
- (b) The seat heater switch indicator light provides seat heater on/off status.
- (c) The seat heaters of both seats are controlled by the seat heaters. Which are located under the respective seat.