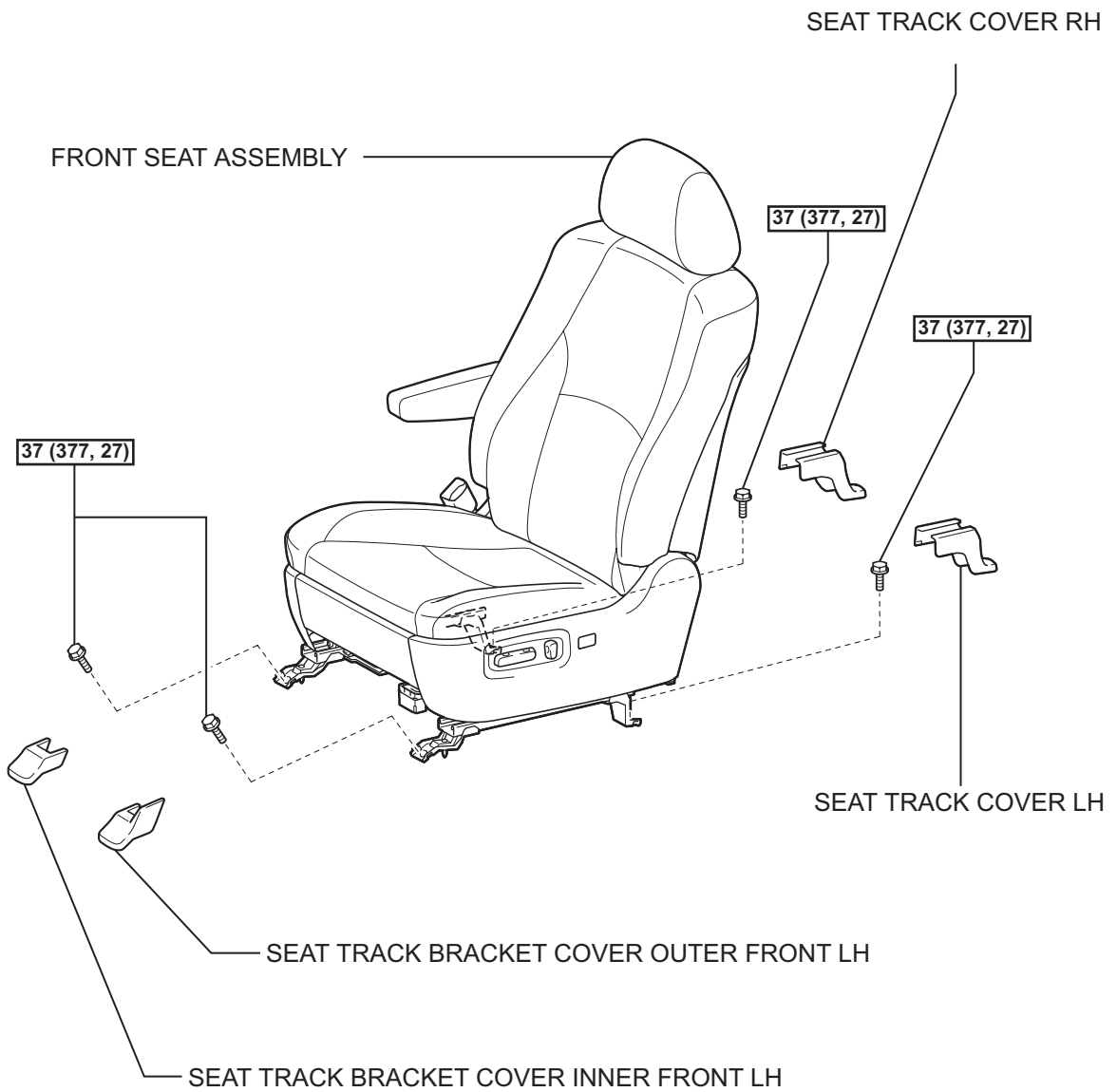


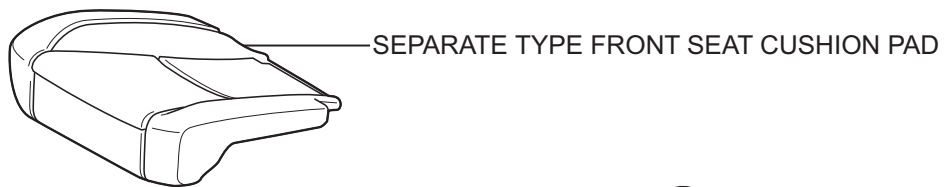
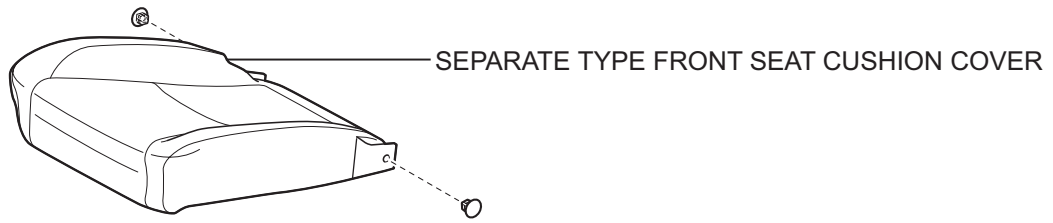
# FRONT SEAT ASSEMBLY

## COMPONENTS



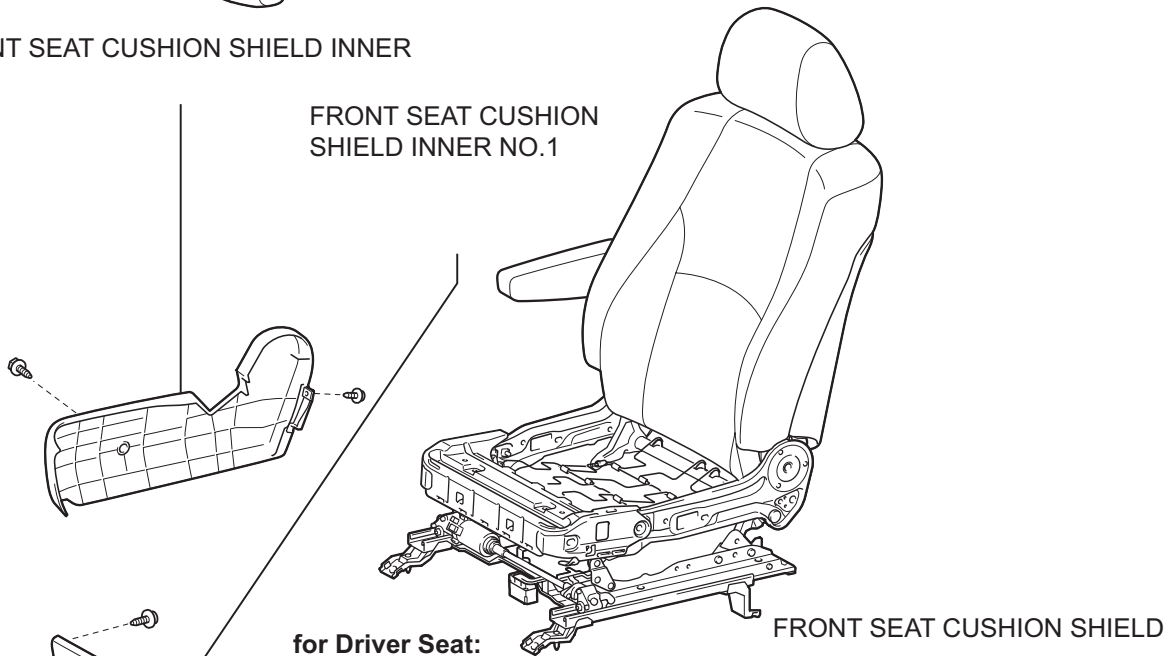
**37 (377, 27)**: Specified torque

**SE**



FRONT SEAT CUSHION SHIELD INNER

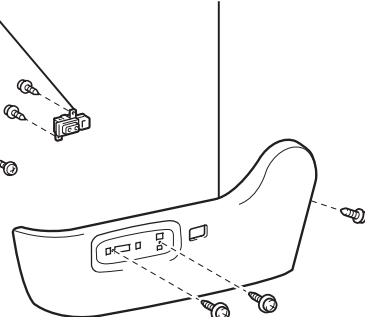
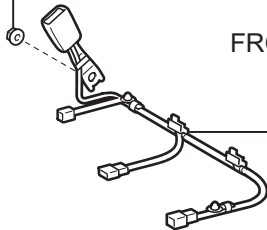
FRONT SEAT CUSHION SHIELD INNER NO.1



42 (428, 31)



FRONT POWER SEAT SWITCH

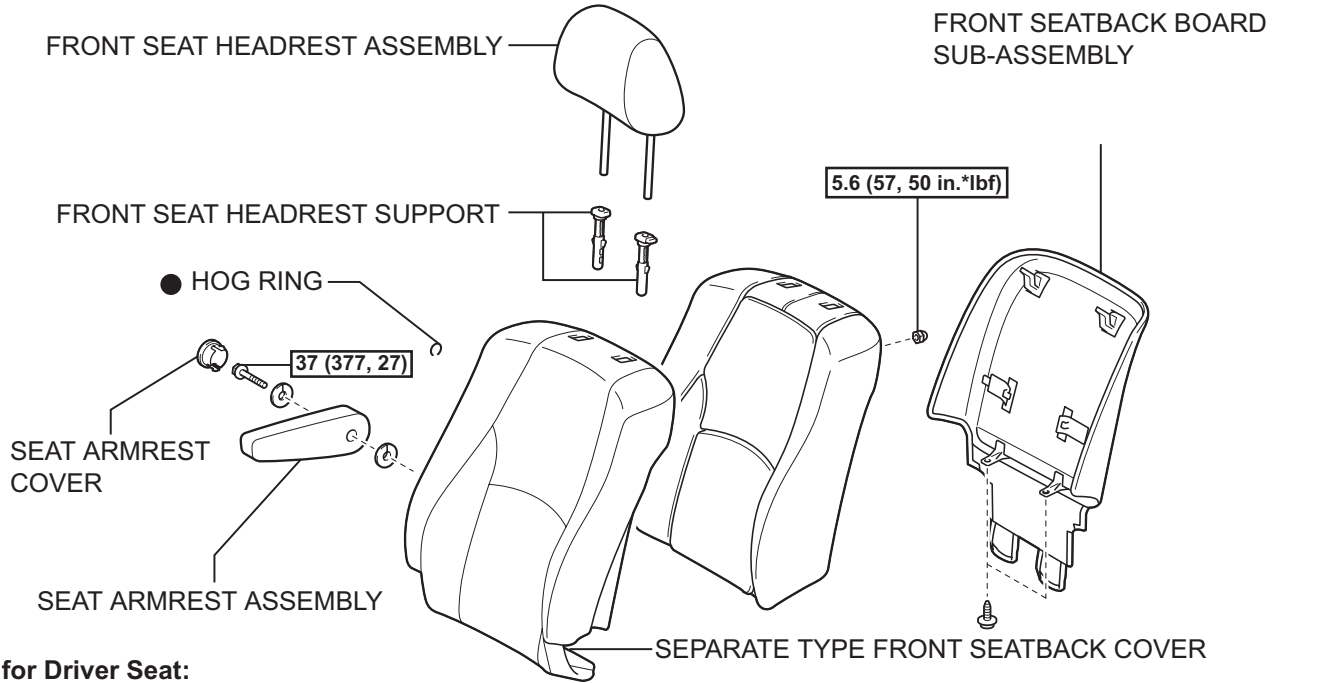


RECLINING POWER SEAT SWITCH KNOB

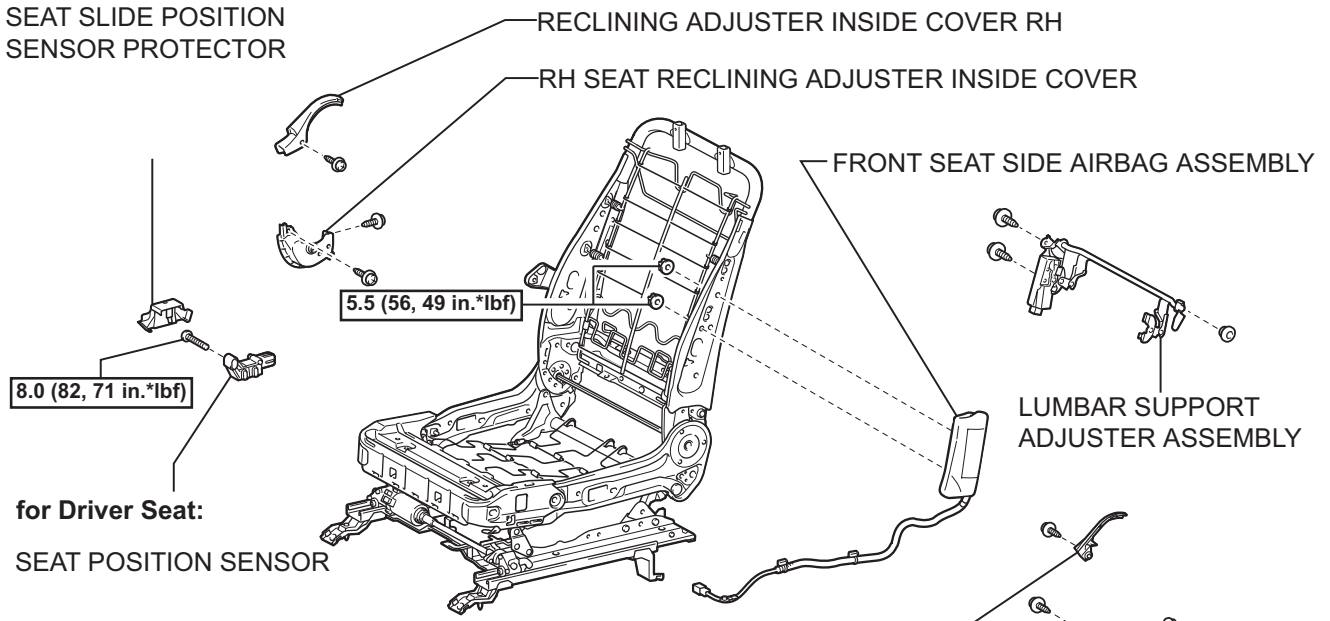
N\*m (kgf\*cm, ft.\*lbf): Specified torque

● Non-reusable part

SE



**for Driver Seat:**

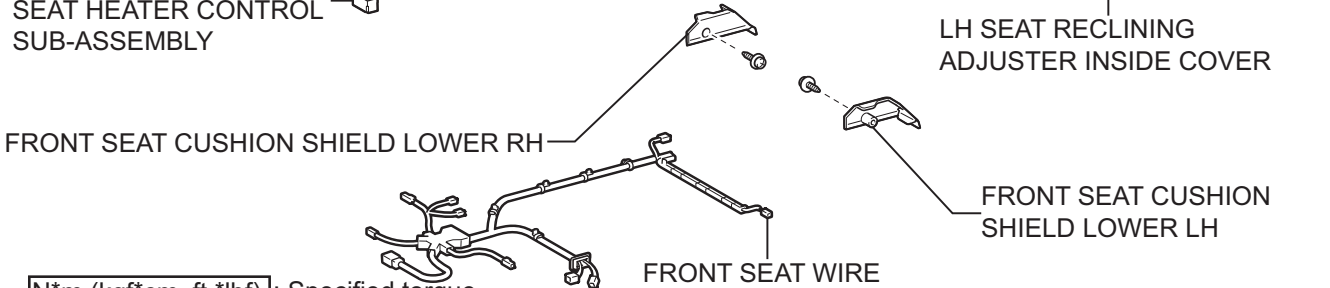


**for Driver Seat:**

SEAT POSITION SENSOR

**w/ Seat Heater:**

SEAT HEATER CONTROL SUB-ASSEMBLY



**N\*m (kgf\*cm, ft.\*lbf)** : Specified torque

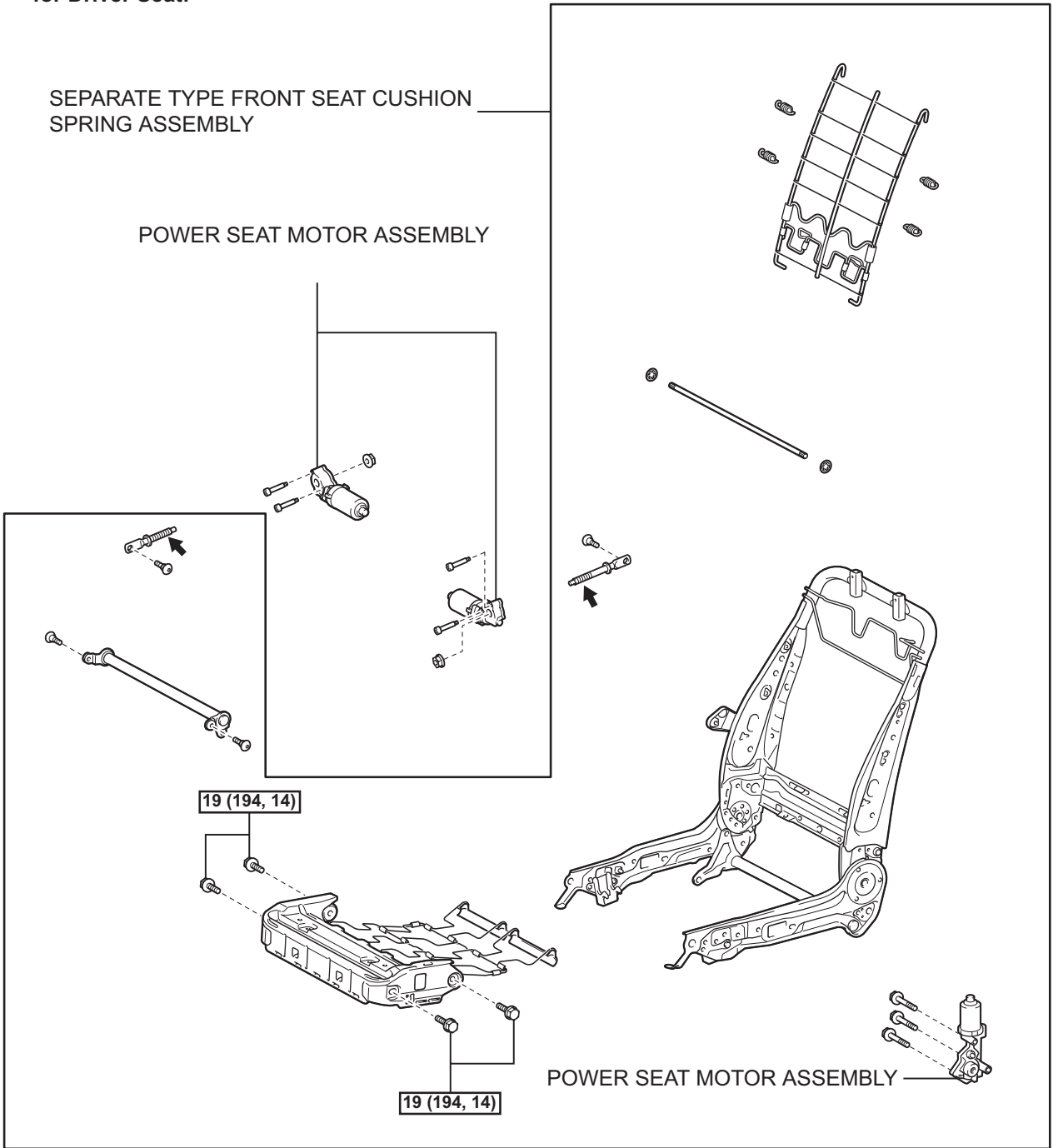
● Non-reusable part

**SE**

for Driver Seat:

SEPARATE TYPE FRONT SEAT CUSHION  
SPRING ASSEMBLY

POWER SEAT MOTOR ASSEMBLY



FRONT SEAT TRACK ASSEMBLY OUTER

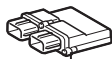
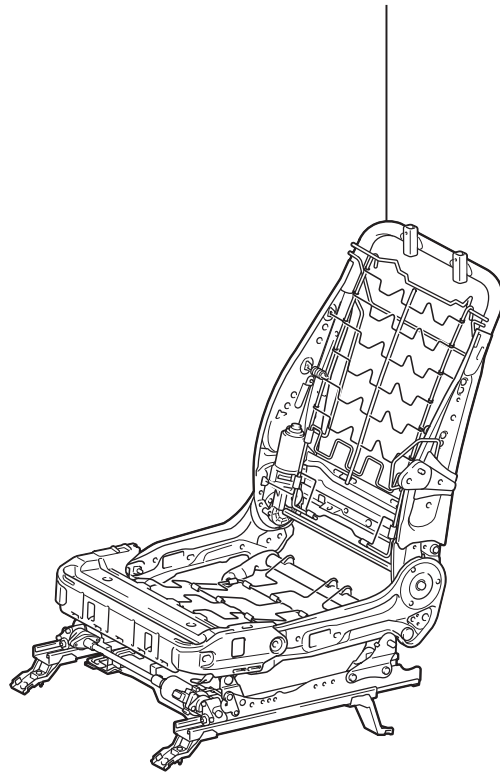
**N\*m (kgf\*cm, ft.\*lbf)** : Specified torque

← Apply MP grease

SE

for Front Passenger Seat:

FRONT SEAT ADJUSTER SUB-ASSEMBLY RH



OCCUPANT CLASSIFICATION ECU