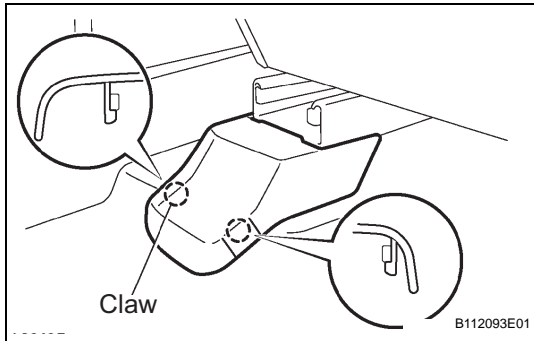


REMOVAL

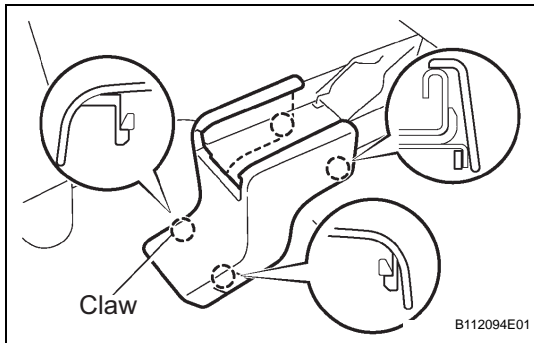
1. REMOVE SEAT TRACK BRACKET COVER OUTER FRONT LH

- (a) Move the front seat assembly to the rearmost position by operating the slide and vertical power seat switch knob.
- (b) Using a screwdriver, disengage the 3 claws and remove the seat track bracket cover outer front LH.
HINT:
Tape the screwdriver tip before use.



2. REMOVE SEAT TRACK BRACKET COVER INNER FRONT LH

- (a) Using a screwdriver, disengage the 2 claws and remove the seat track bracket cover inner front LH.
HINT:
Tape the screwdriver tip before use.



3. REMOVE SEAT TRACK COVER LH

- (a) Move the front seat assembly fully forward by operating the slide and vertical power seat switch knob.
- (b) Using a screwdriver, disengage the 4 claws and remove the seat track cover LH.
HINT:
Tape the screwdriver tip before use.

4. REMOVE SEAT TRACK COVER RH

- (a) Using a screwdriver, disengage the 4 claws and remove the seat track cover RH.
HINT:
Tape the screwdriver tip before use.

5. REMOVE FRONT SEAT ASSEMBLY

- (a) Move the front seat assembly to the rearmost position by operating the slide and vertical power seat switch knob.
- (b) Remove the 2 bolts on the front side.
- (c) Move the front seat assembly fully forward by operating the slide and vertical power seat switch knob.
- (d) Remove the 2 bolts on the rear side.
- (e) Move the front seat assembly to the center position and adjust the seatback to the vertical position by operating the slide and vertical power seat switch knob and the reclining power seat switch knob.
- (f) Turn the ignition switch to the LOCK position.

- (g) Disconnect the negative battery cable from the battery, and wait 90 seconds or more.

CAUTION:

Wait 90 seconds or more after disconnecting the negative terminal cable to prevent the airbag from working (see page [RS-1](#)).

- (h) Disconnect the connectors and clamp.
- (i) Remove the front seat assembly.

NOTICE:

When removing the passenger side front seat assembly, be careful not to step on the yaw rate sensor mounted on the floor under the seat.