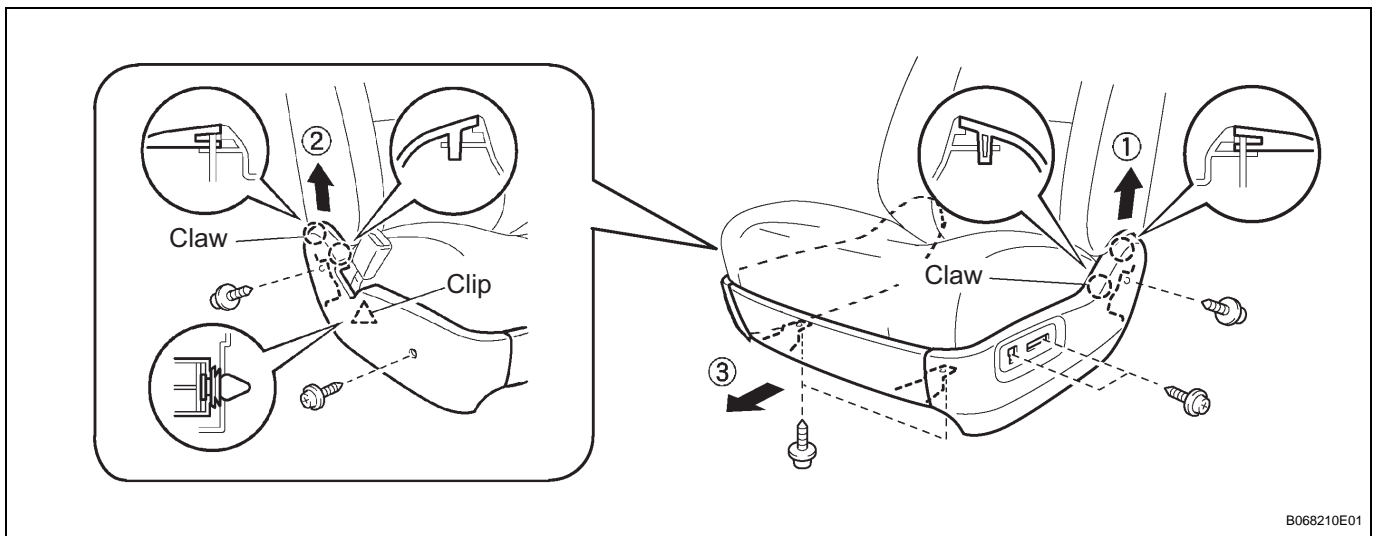


## DISASSEMBLY

1. **REMOVE RECLINING POWER SEAT SWITCH KNOB**
  - (a) Using a screwdriver, remove the reclining power seat switch knob.

HINT:  
Tape the screwdriver tip before use.
2. **REMOVE SLIDE AND VERTICAL POWER SEAT SWITCH KNOB**
  - (a) Using a screwdriver, remove the slide and vertical power seat switch knob.

HINT:  
Tape the screwdriver tip before use.
3. **REMOVE FRONT SEAT CUSHION SHIELD ASSEMBLY**
  - (a) Release the 2 rubber bands on the backside of the front seatback board sub-assembly.
  - (b) Remove the 7 screws.
  - (c) Disengage the 4 claws and clip, and remove the front seat cushion shield assembly as shown in the illustration.
  - (d) Driver seat only:
    - (1) Disconnect the power seat switch assembly connector.
  - (e) Remove the front seat cushion shield assembly.



B068210E01

4. **REMOVE POWER SEAT SWITCH ASSEMBLY (for Driver Seat)**
  - (a) Remove the 2 screws and power seat switch assembly.
5. **REMOVE FRONT SEAT CUSHION SHIELD**
  - (a) Remove the screw.
  - (b) Disengage the claw and remove the front seat cushion shield.
6. **REMOVE FRONT SEAT CUSHION SHIELD INNER**
  - (a) Remove the screw.

- (b) Disengage the claw and remove the front seat cushion shield inner.

**7. REMOVE FRONT SEAT CUSHION SHIELD INNER NO.1**

**8. REMOVE FRONT POWER SEAT SWITCH**

- (a) Disconnect the connector.
- (b) Remove the 3 screws and front power seat switch.

**9. REMOVE FRONT SEAT INNER BELT ASSEMBLY (See page SB-15)**

**10. REMOVE SEPARATE TYPE FRONT SEAT CUSHION COVER WITH PAD**

- (a) Using a clip remover, remove the 2 clips.
- (b) Using a screwdriver, raise the 2 claws on the cushion frame of the front seat adjuster RH.  
HINT:  
Tape the screwdriver tip before use.
- (c) With seat heater:  
(1) Disconnect the connector.
- (d) Disengage the hooks and remove the hog rings and separate type front seat cushion cover with pad.

**11. REMOVE SEPARATE TYPE FRONT SEAT CUSHION COVER**

- (a) Remove the hog rings and separate type front seat cushion cover.

**12. REMOVE SEPARATE TYPE FRONT SEAT CUSHION PAD**

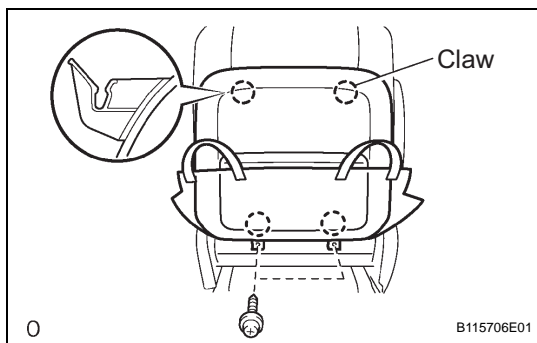
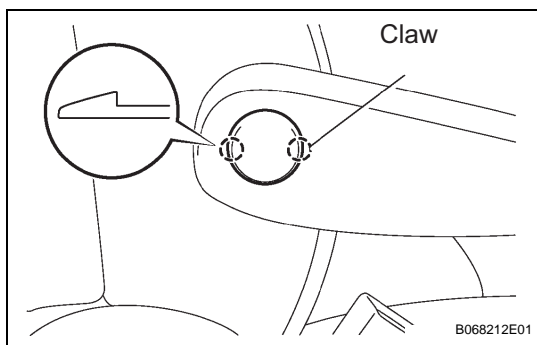
**13. REMOVE FRONT SEAT HEADREST ASSEMBLY**

**14. REMOVE SEAT ARMREST COVER**

- (a) Using a screwdriver, disengage the 2 claws and remove the seat armrest cover.  
HINT:  
Tape the screwdriver tip before use.

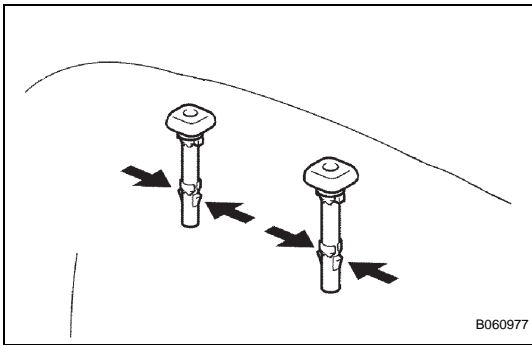
**15. REMOVE SEAT ARMREST ASSEMBLY**

- (a) Remove the bolt, 2 washers, and seat armrest assembly.



**16. REMOVE FRONT SEATBACK BOARD SUB-ASSEMBLY**

- (a) Remove the 2 screws.
- (b) Hold the lower side of the front seatback board sub-assembly with both hands and disengage the 2 claws on the lower side.
- (c) Hold the upper side of the front seatback board sub-assembly with both hands and disengage the 2 claws on the upper side and remove the front seatback board sub-assembly.

**17. REMOVE FRONT SEAT HEADREST SUPPORT**

- (a) Release the hook and turn back the upper part of the separate type front seatback cover so that access to the claws of the front seat headrest supports is possible.
- (b) Disengage the 2 claws and remove the front seat headrest support.

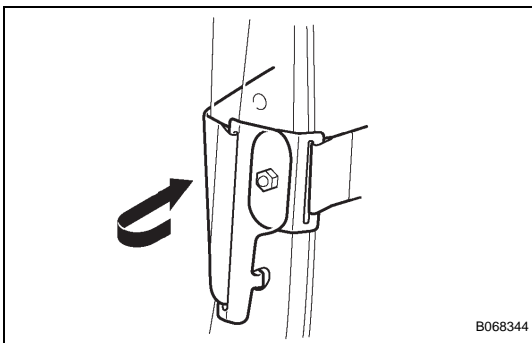
**18. REMOVE FRONT SEAT HEADREST SUPPORT**

HINT:

Use the same procedures for the RH side and LH side.

**19. REMOVE SEPARATE TYPE FRONT SEATBACK COVER WITH PAD**

- (a) With seat heater:
  - (1) Disconnect the connector.
- (b) Remove the nut and disconnect the separate type front seatback cover bracket.
- (c) Disengage the hook and remove the separate type front seatback cover bracket with pad.

**20. REMOVE SEPARATE TYPE FRONT SEATBACK COVER**

- (a) Remove the hog rings and separate type front seatback cover.

**21. REMOVE LH SEAT RECLINING ADJUSTER INSIDE COVER**

- (a) Remove the 2 screws and LH seat reclining adjuster inside cover.

**22. REMOVE RH SEAT RECLINING ADJUSTER INSIDE COVER**

HINT:

Use the same procedures for the RH side and LH side.

**23. REMOVE RECLINING ADJUSTER INSIDE COVER LH**

- (a) Remove the screw and reclining adjuster inside cover LH.

**24. REMOVE RECLINING ADJUSTER INSIDE COVER RH**

HINT:

Use the same procedures for the RH side and LH side.

**25. REMOVE FRONT SEAT CUSHION SHIELD LOWER LH**

- (a) Remove the screws and front seat cushion shield lower LH.

**26. REMOVE FRONT SEAT CUSHION SHIELD LOWER RH**

HINT:

Use the same procedures for the RH side and LH side.

**27. REMOVE LUMBAR SUPPORT ADJUSTER ASSEMBLY**

- (a) Disconnect the connector.
- (b) Remove the 2 screws and lumbar support adjuster assembly.

28. **REMOVE SEAT HEATER CONTROL SUB-ASSEMBLY (w/ Seat Heater System)**
  - (a) Disconnect the connector.
  - (b) Disengage the claw and remove the seat heater control sub-assembly.
29. **REMOVE SEAT SLIDE POSITION SENSOR PROTECTOR (for Driver Seat) (See page RS-453)**
30. **REMOVE SEAT POSITION SENSOR (for Driver Seat) (See page RS-453)**
31. **REMOVE OCCUPANT CLASSIFICATION ECU (for Front Passenger Seat) (See page RS-457)**
32. **REMOVE FRONT SEAT WIRE**
33. **REMOVE FRONT SEAT SIDE AIRBAG ASSEMBLY**
  - (a) Disengage the clamps and remove the 2 nuts and front seat side airbag assembly.
34. **REMOVE SEPARATE TYPE FRONT SEAT CUSHION SPRING ASSEMBLY (for Driver Seat)**
  - (a) Remove the 4 bolts and front seat cushion frame sub-assembly.
  - (b) Using a "torx" socket wrench (T40), remove the 4 "torx" bolts and separate type front seat cushion spring assembly.
35. **REMOVE POWER SEAT MOTOR ASSEMBLY (for Driver Seat)**
  - (a) Reclining motor:
    - (1) Remove the 2 rings.
    - (2) Remove the shaft.
    - (3) Using a hexagon wrench 4.0 mm (0.15 in.), remove the 3 hexagon bolts and power seat motor assembly.
  - (b) Front vertical motor:
    - (1) Using a "torx" socket wrench (T40), remove the 3 "torx" bolts and pipe.
    - (2) Using a hexagon wrench 4.0 mm (0.15 in.), remove the 2 hexagon bolts and power seat motor assembly with shaft.
    - (3) Using needle nose pliers and remove the nut, shaft and power seat motor assembly.
  - (c) Slide motor:
    - (1) Using a "torx" socket wrench (T40), remove the "torx" bolt.
    - (2) Using a hexagon wrench 4.0 mm (0.15 in.), remove the 2 hexagon bolts and power seat motor assembly with shaft.
    - (3) Using needle nose pliers and remove the nut, shaft and power seat motor assembly.
36. **REMOVE FRONT SEAT TRACK ASSEMBLY OUTER (for Driver Seat)**
37. **REMOVE FRONT SEAT ADJUSTER SUB-ASSEMBLY RH (for Front Passenger Seat)**