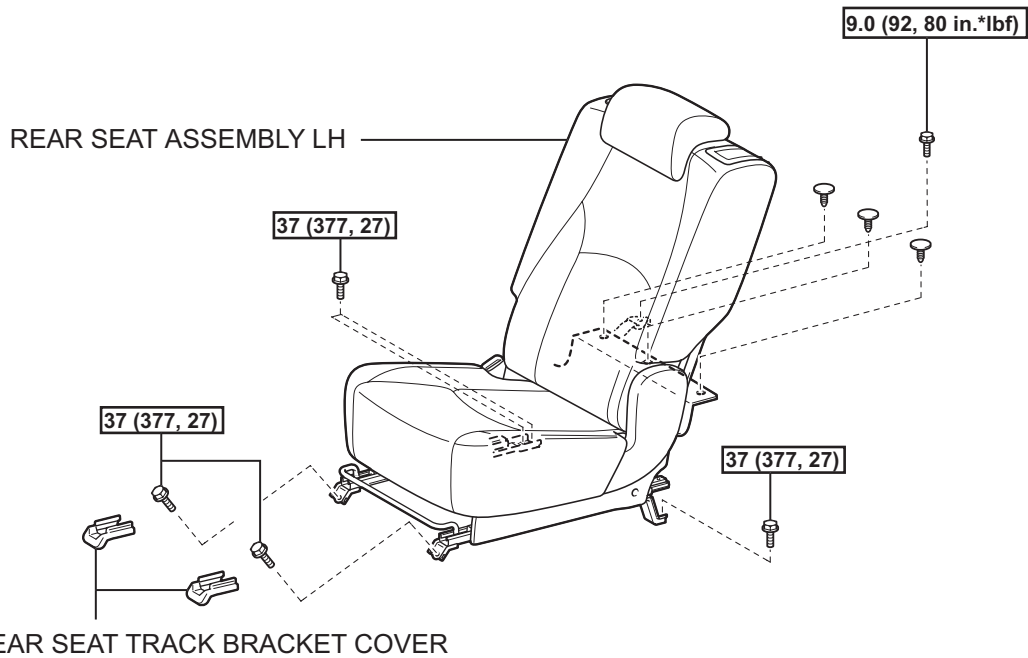
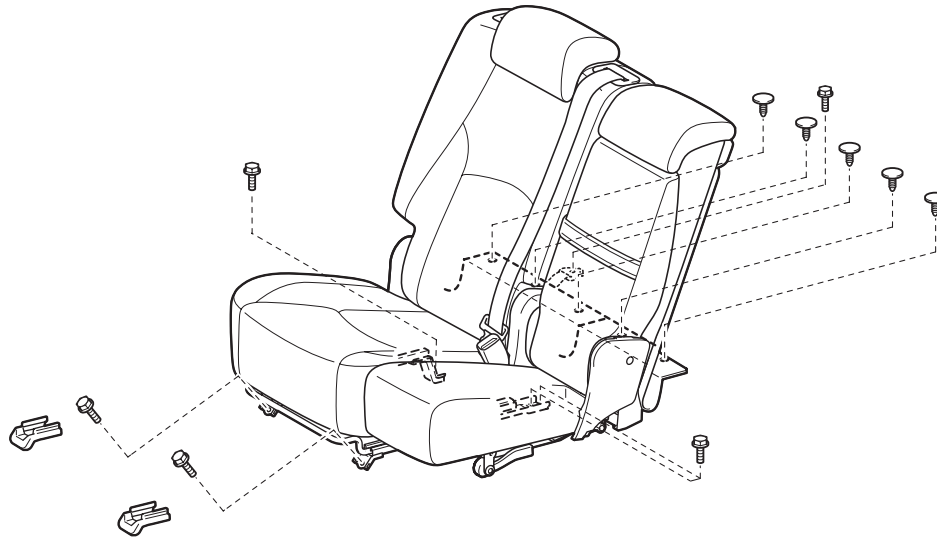
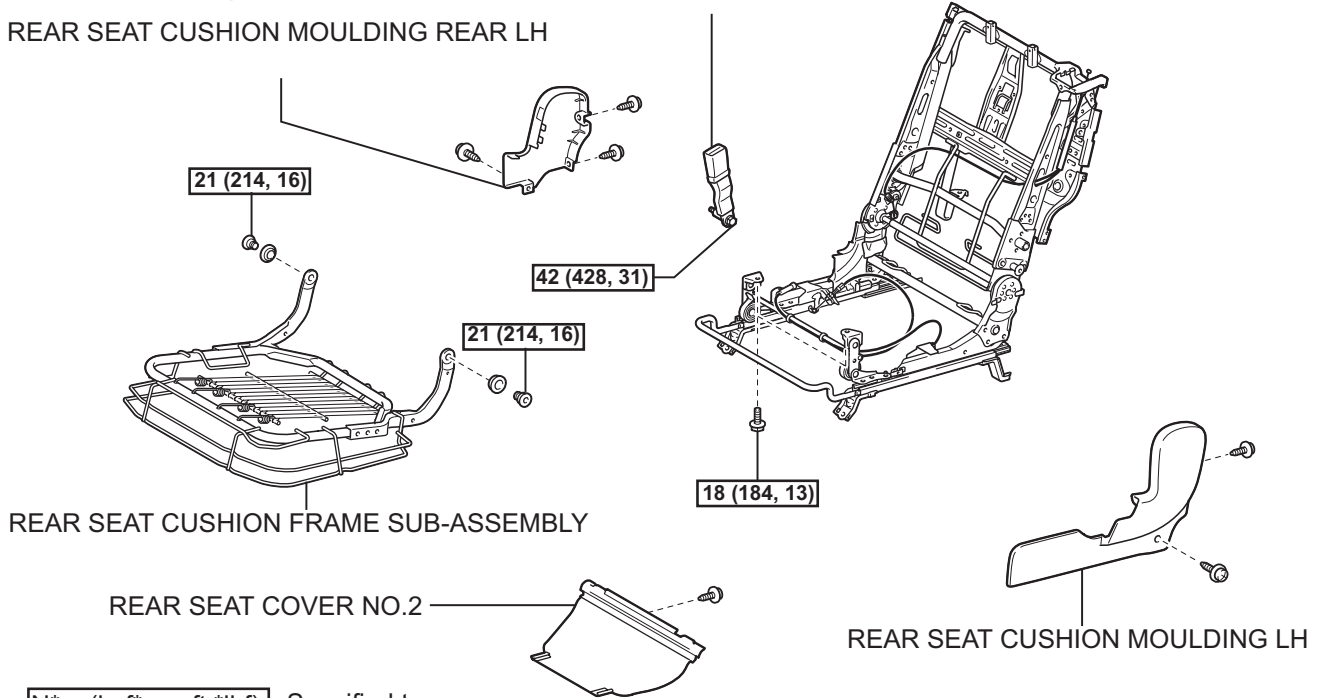
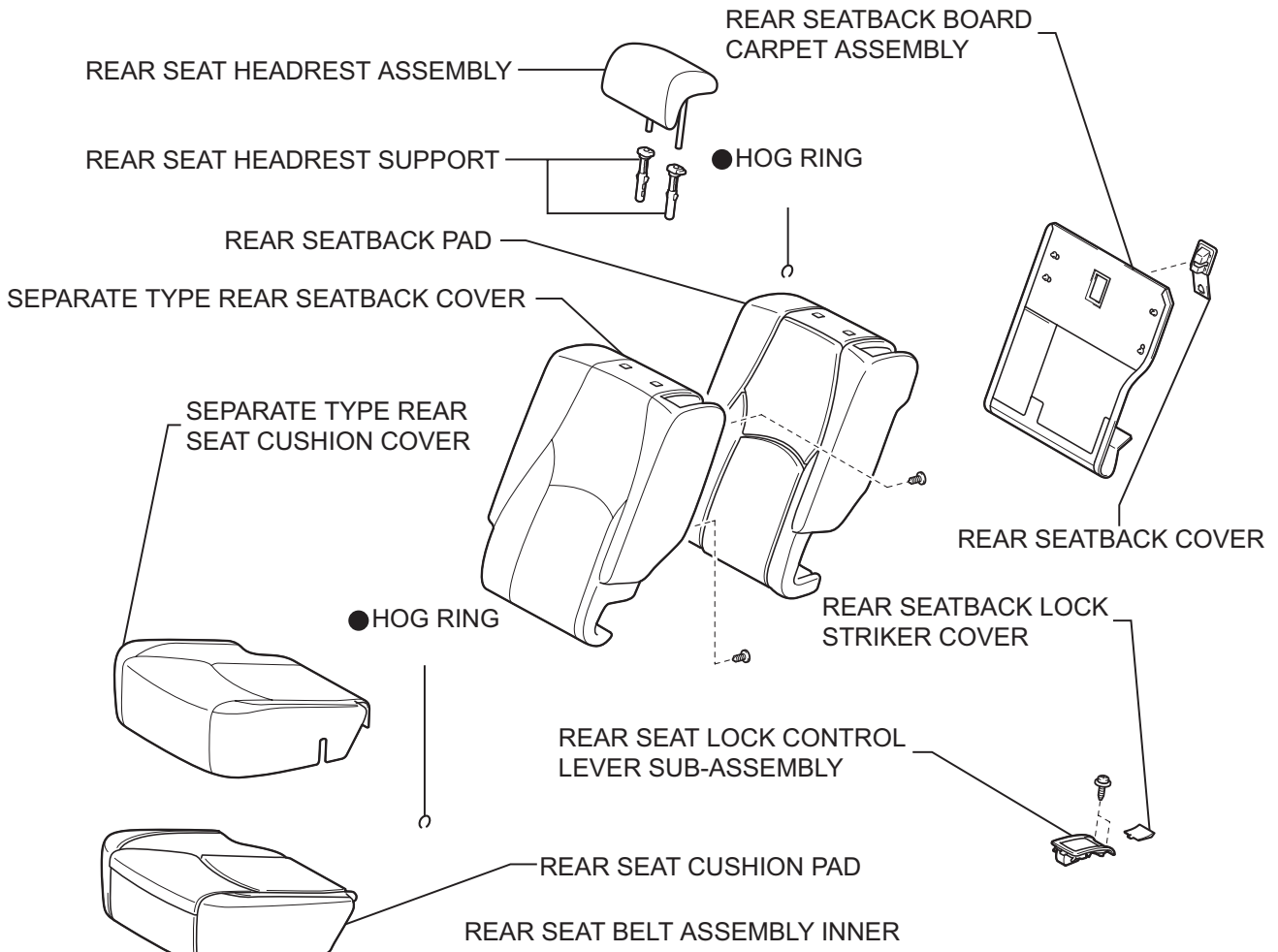


REAR SEAT ASSEMBLY (for LH Side)

COMPONENTS



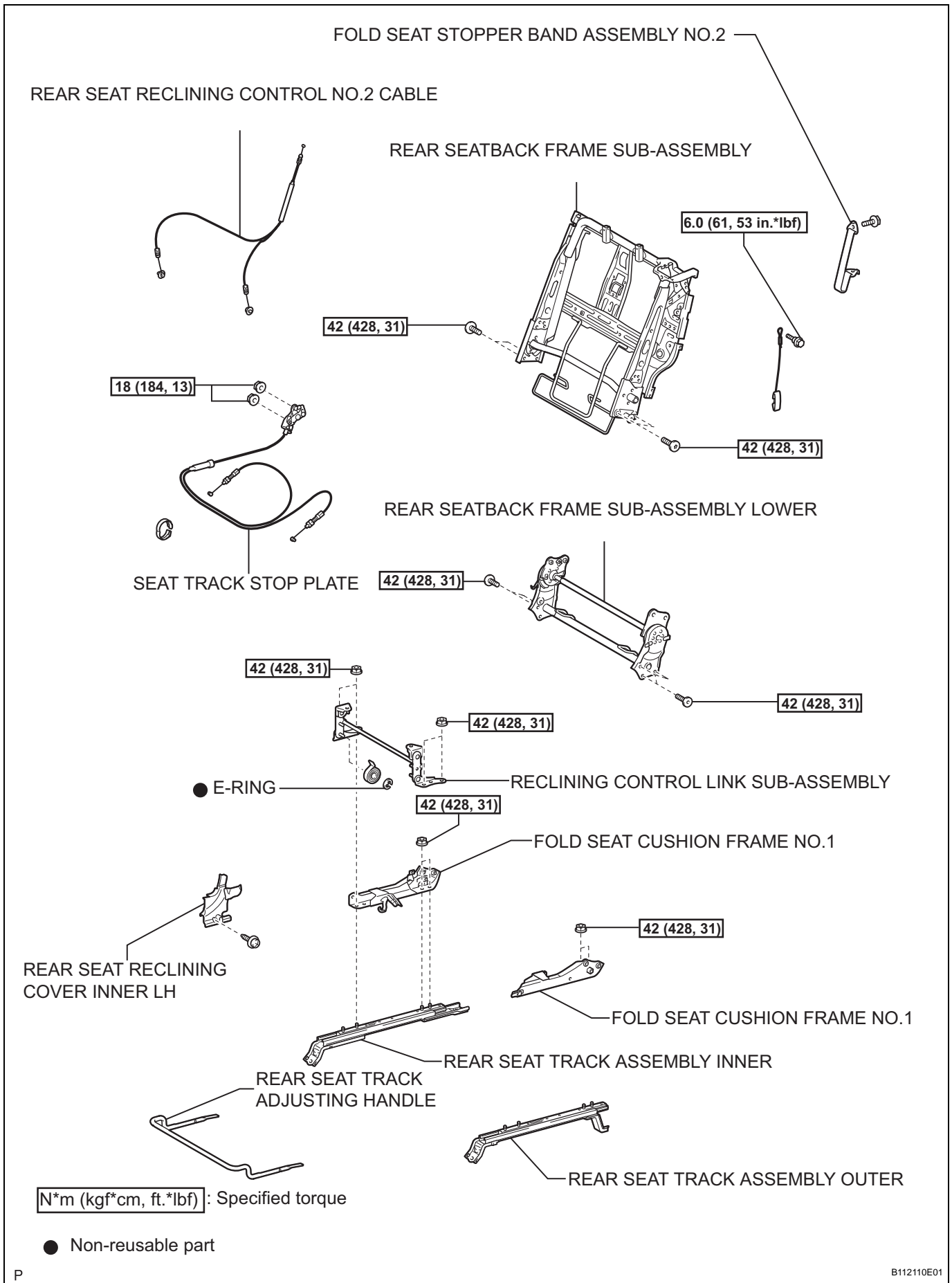
N*m (kgf*cm, ft.*lbf): Specified torque



SE

N*m (kgf*cm, ft.*lbf) : Specified torque

● Non-reusable part



SE