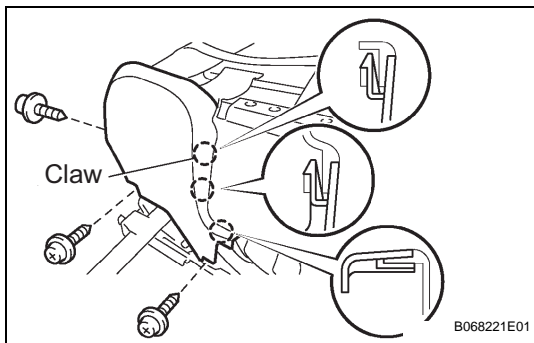
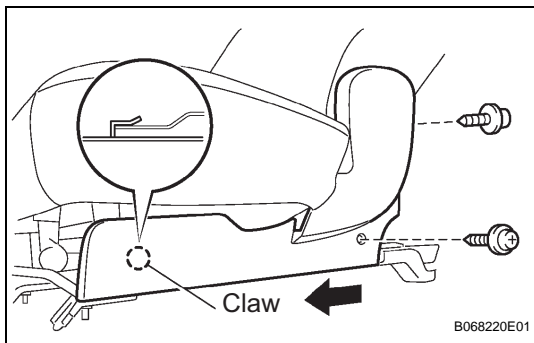


## REMOVAL

1. **REMOVE REAR SEAT TRACK BRACKET COVER**
  - (a) Move the rear seat assembly LH to the rearmost position by operating the rear seat track adjusting handle.
  - (b) Using a screwdriver, disengage the 4 claws.  
HINT:  
Tape the screwdriver tip before use.
  - (c) Pull the 2 rear seat track bracket covers toward the rear of the vehicle and remove them.
2. **REMOVE REAR SEAT ASSEMBLY LH**
  - (a) Using a clip remover, remove the 3 clips.
  - (b) Remove the bolt and disconnect the floor anchor side of the fold seat stopper band assembly No.2.
  - (c) Move the rear seat assembly LH to the rearmost position by operating the rear seat track adjusting handle.
  - (d) Remove the 2 bolts on the front side.
  - (e) Move the rear seat assembly LH fully forward by operating the rear seat track adjusting handle.
  - (f) Remove the 3 bolts on the rear side.
  - (g) Move the rear seat assembly LH to the center position and adjust the seatback to the vertical position.
  - (h) Remove the rear seat assembly LH.

## DISASSEMBLY

1. **REMOVE REAR SEAT CUSHION MOULDING LH**
  - (a) Remove the 2 screws.
  - (b) Disengage the claw and remove the rear seat cushion moulding LH as shown in the illustration.
2. **REMOVE REAR SEAT CUSHION MOULDING REAR LH**
  - (a) Remove the 3 screws.
  - (b) Disengage the 3 claws and remove the rear seat cushion moulding rear LH.
3. **REMOVE SEPARATE TYPE REAR SEAT CUSHION ASSEMBLY**
  - (a) Using a "torx" socket wrench (T45), remove the 2 "torx" bolts.
  - (b) Release the 2 rubber bands on the backside of the rear seatback board carpet assembly.
  - (c) Remove the hog rings.
  - (d) Remove the 2 bolts and separate type rear seat cushion assembly.



**4. REMOVE REAR SEAT CUSHION FRAME SUB-ASSEMBLY**

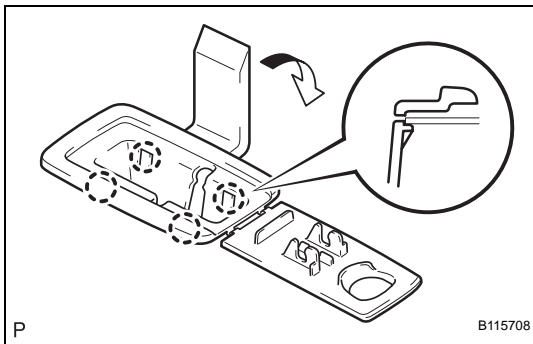
- (a) Disengage the hooks and remove the hog rings and rear seat cushion frame sub-assembly.

**5. REMOVE SEPARATE TYPE REAR SEAT CUSHION COVER**

- (a) Remove the hog rings and separate type rear seat cushion cover.

**6. REMOVE REAR SEAT CUSHION PAD****7. REMOVE REAR SEAT BELT ASSEMBLY INNER (See page [SB-28](#))****8. REMOVE REAR SEAT HEADREST ASSEMBLY****9. REMOVE REAR SEATBACK COVER**

- (a) Using a moulding remover, disengage the 4 claws and remove the rear seatback cover.

**10. REMOVE REAR SEATBACK BOARD CARPET ASSEMBLY**

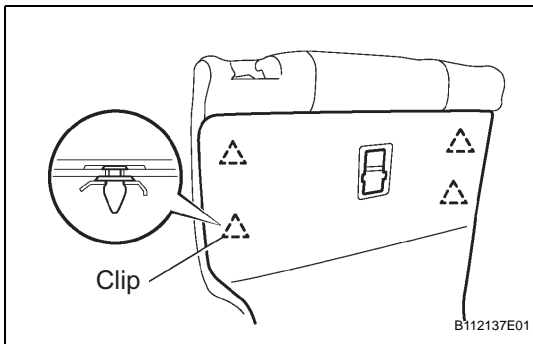
- (a) Disengage the 4 clips and remove the rear seatback board carpet assembly.

**11. REMOVE REAR SEATBACK LOCK STRIKER COVER**

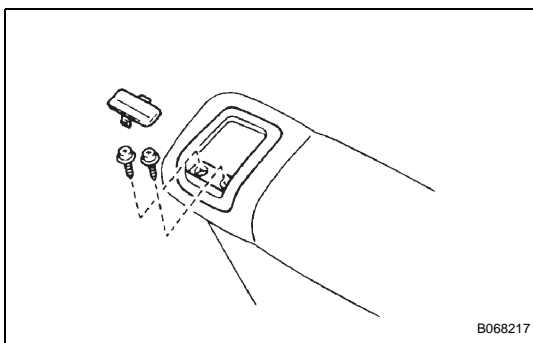
- (a) Using a screwdriver, disengage the 2 claws and remove the rear seatback lock striker cover.

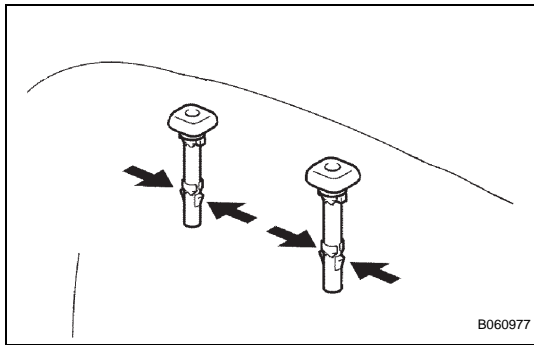
HINT:

Tape the screwdriver tip before use.

**12. REMOVE REAR SEAT LOCK CONTROL LEVER SUB-ASSEMBLY**

- (a) Remove the 2 screws.  
 (b) Disconnect the rear seat reclining control No.2 cable and remove the rear seat lock control lever sub-assembly.



**13. REMOVE REAR SEAT HEADREST SUPPORT**

- (a) Disengage the 2 claws and remove the rear seat headrest support (LH side).

**14. REMOVE REAR SEAT HEADREST SUPPORT****HINT:**

- Use the same procedures described for the LH side.

**15. REMOVE SEPARATE TYPE REAR SEATBACK COVER WITH PAD**

- (a) Remove the 2 clips.  
 (b) Remove the bolt and rear seat belt hook.  
 (c) Disengage the hooks and remove the hog rings and separate type rear seatback cover with pad.

**16. REMOVE SEPARATE TYPE REAR SEATBACK COVER**

- (a) Remove the hog rings and separate type rear seatback cover.

**17. REMOVE REAR SEATBACK PAD****18. REMOVE FOLD SEAT STOPPER BAND ASSEMBLY NO.2**

- (a) Remove the bolt and fold seat stopper band assembly No.2.

**19. REMOVE REAR SEAT RECLINING COVER INNER LH**

- (a) Remove the screw.  
 (b) Disengage the claw and remove the rear seat reclining cover inner LH.

**20. REMOVE REAR SEAT COVER NO.2**

- (a) Remove the screw and rear seat cover No.2.

**21. REMOVE REAR SEAT RECLINING CONTROL NO.2 CABLE**

- (a) Disconnect the 2 cables and remove the rear seat reclining control No.2 cable.

**22. REMOVE REAR SEATBACK FRAME SUB-ASSEMBLY**

- (a) Using a "torx" socket wrench (T45), remove the 4 "torx" bolts and rear seatback frame sub-assembly.

**23. REMOVE SEAT TRACK STOP PLATE**

- (a) Remove the clamp.  
 (b) Disconnect the 2 seat track stop plate cables.  
 (c) Remove the 2 nuts and seat track stop plate.

**24. REMOVE RECLINING CONTROL LINK SUB-ASSEMBLY**

- (a) Remove the E-ring and spring.  
 (b) Remove the 4 nuts and reclining control link sub-assembly.

**25. REMOVE REAR SEATBACK FRAME SUB-ASSEMBLY LOWER**

- (a) Using a "torx" socket wrench (T45), remove the 5 "torx" bolts and rear seatback frame sub-assembly lower.

**26. REMOVE FOLD SEAT CUSHION FRAME NO.1**

- (a) Remove the 4 nuts and 2 fold seat cushion frame No.1s.

**27. REMOVE REAR SEAT TRACK ADJUSTING HANDLE**

- (a) Move the rear seat track assembly outer and rear seat track assembly inner fully forward by operating the rear seat track adjusting handle.
- (b) Using a hexagon wrench 1.5 mm (0.059 in.), push down the 2 handle stoppers as shown in the illustration and remove the rear seat track adjusting handle.

**28. REMOVE REAR SEAT TRACK ASSEMBLY OUTER****29. REMOVE REAR SEAT TRACK ASSEMBLY INNER**