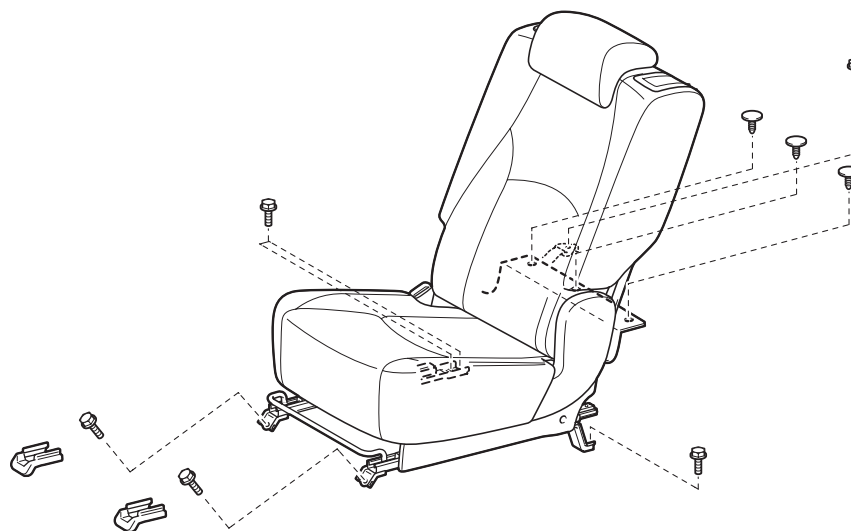
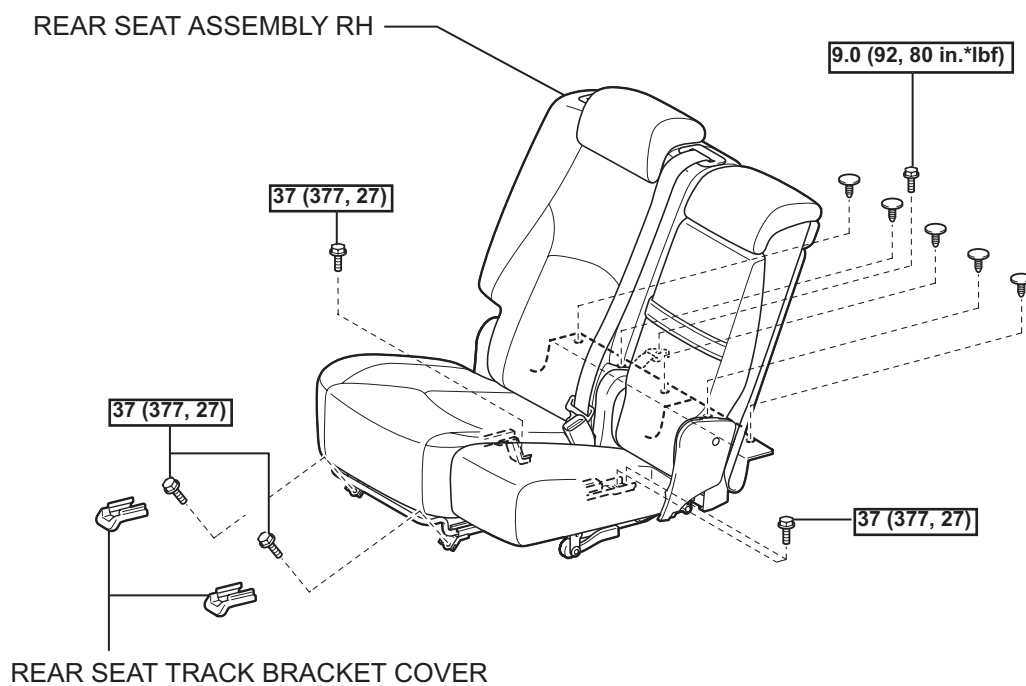


REAR SEAT ASSEMBLY (for RH Side)

COMPONENTS

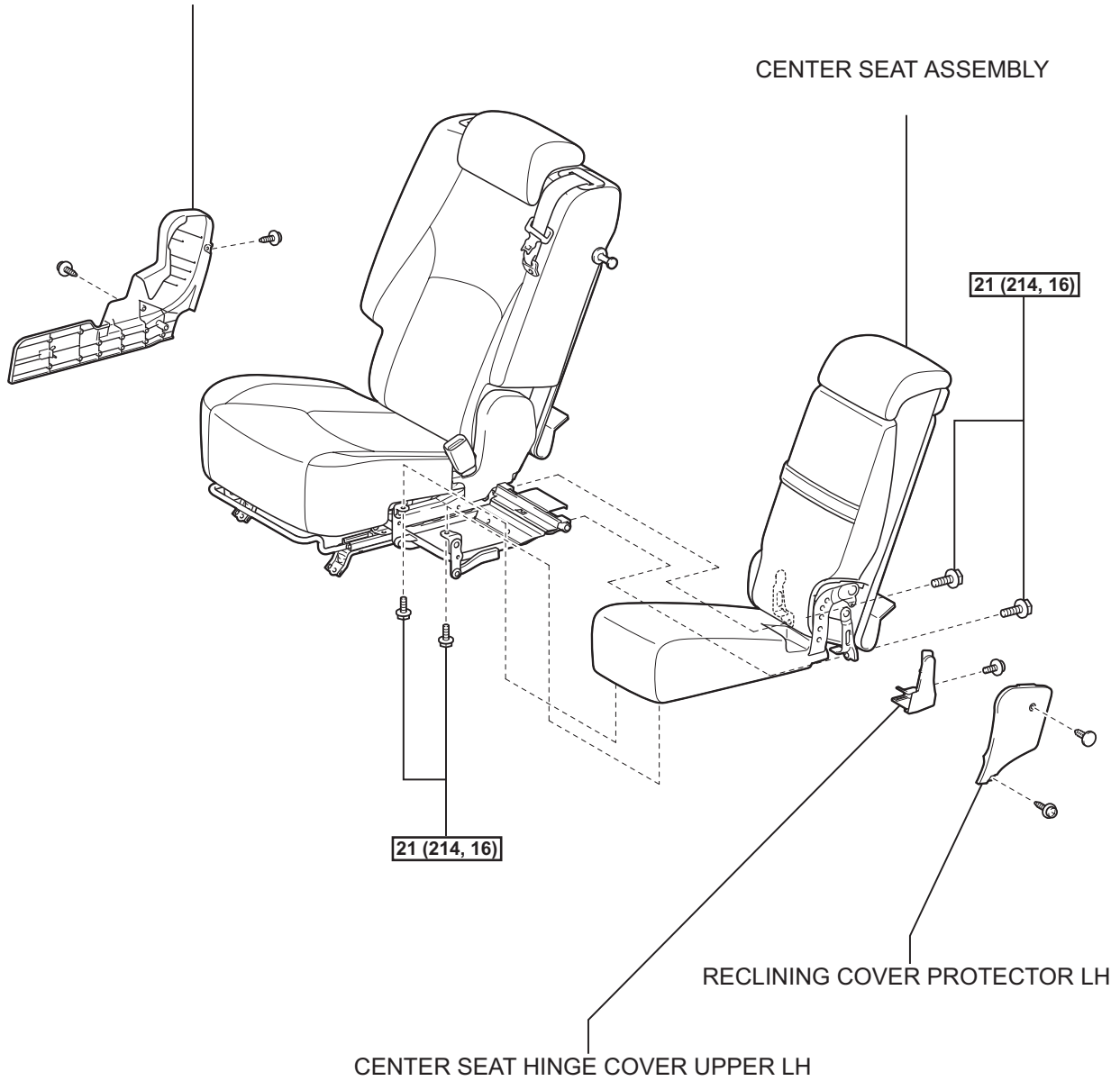


N*m (kgf*cm, ft.*lbf) : Specified torque

SE

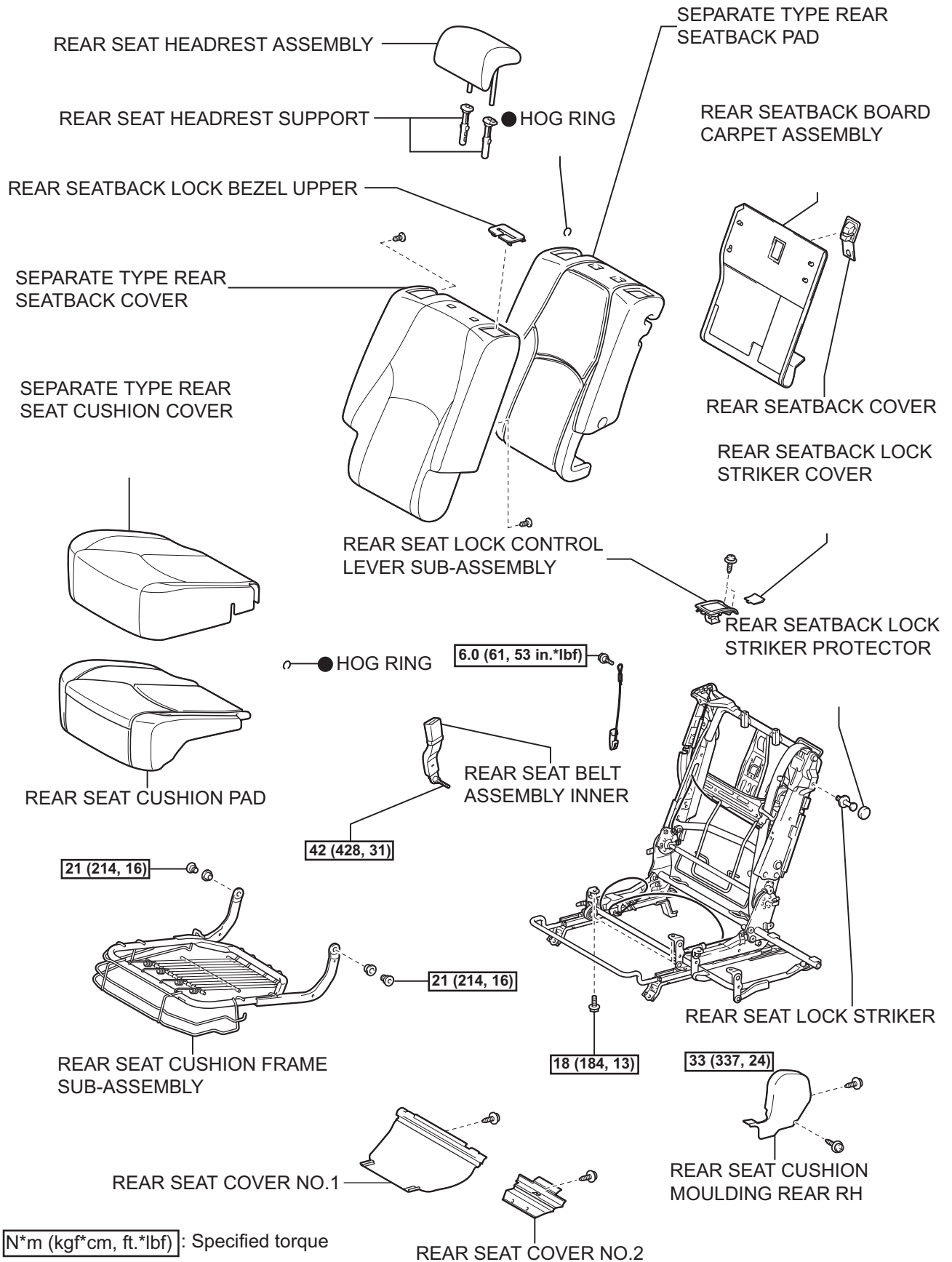
REAR SEAT CUSHION MOULDING RH

CENTER SEAT ASSEMBLY

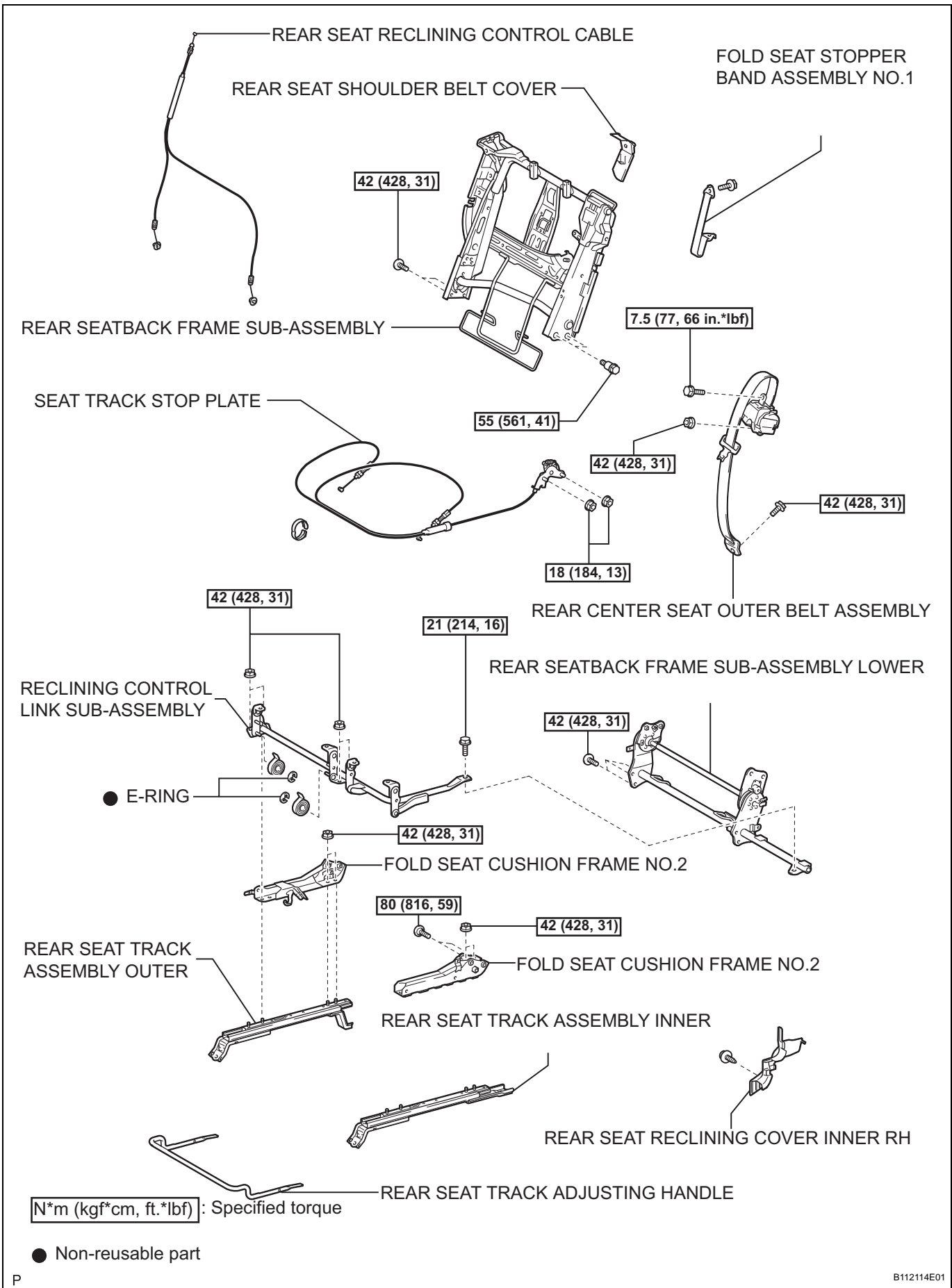


21 (214, 16): Specified torque

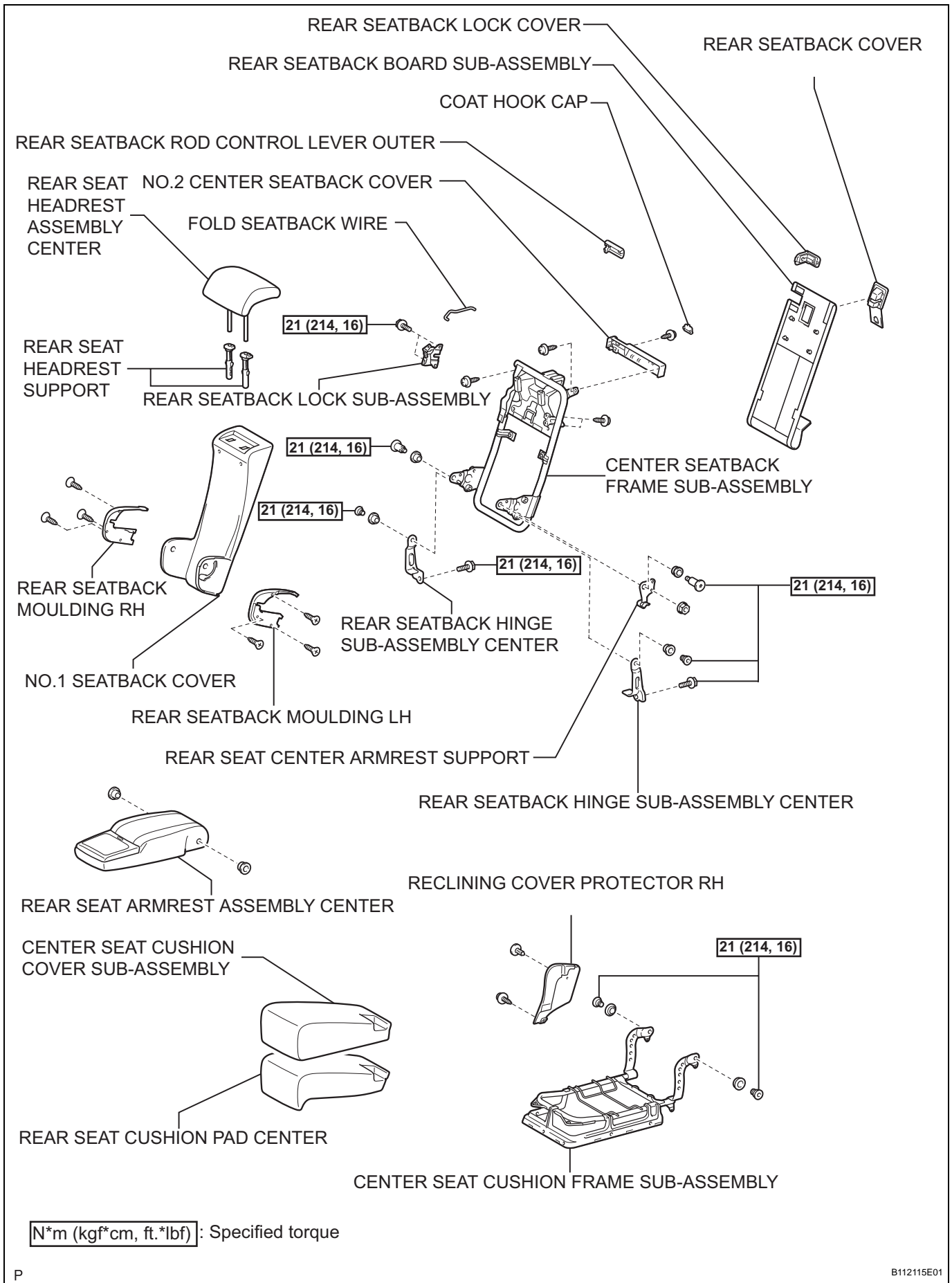
SE



SE



SE



SE