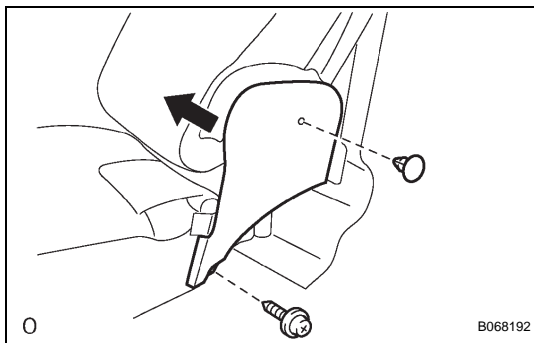


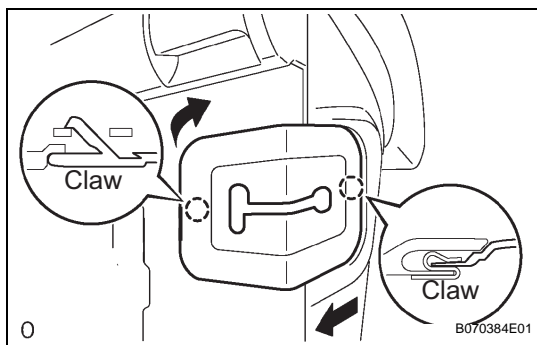
REMOVAL

1. **REMOVE REAR SEAT TRACK BRACKET COVER**
 - (a) Move the rear seat assembly RH to the rearmost position by operating the rear seat track adjusting handle.
 - (b) Using a screwdriver, disengage the 4 claws.
HINT:
Tape the screwdriver tip before use.
 - (c) Pull the 2 rear seat track bracket covers toward the rear of the vehicle and remove them.
2. **REMOVE REAR SEAT ASSEMBLY RH**
 - (a) Using a clip remover, remove the 5 clips.
 - (b) Remove the bolt and disconnect the floor anchor side of the fold seat stopper band assembly No.1.
 - (c) Move the rear seat assembly RH to the rearmost position by operating the rear seat track adjusting handle.
 - (d) Remove the 2 bolts on the front side.
 - (e) Move the rear seat assembly RH fully forward by operating the rear seat track adjusting handle.
 - (f) Remove the 3 bolts on the rear side.
 - (g) Move the rear seat assembly RH to the center position and adjust the seatback to the vertical position.
 - (h) Remove the rear seat assembly RH.

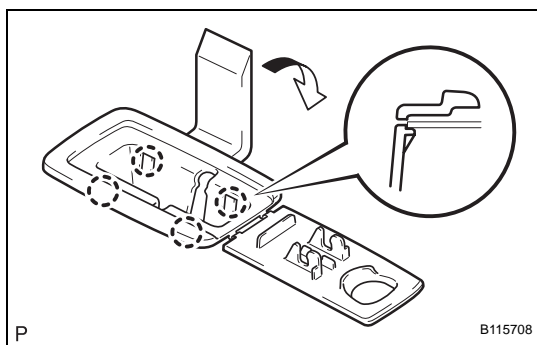
DISASSEMBLY



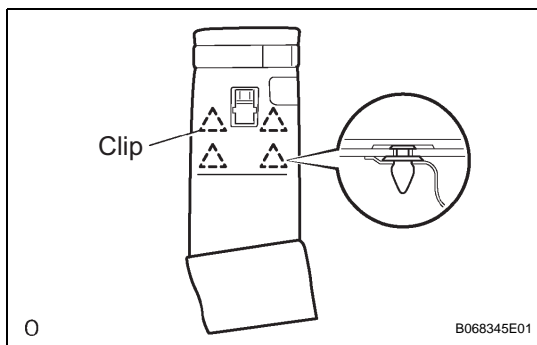
1. **REMOVE RECLINING COVER PROTECTOR LH**
 - (a) Using a clip remover, remove the clip.
 - (b) Remove the screw.
 - (c) Remove the reclining cover protector LH as shown in the illustration.
2. **REMOVE CENTER SEAT HINGE COVER UPPER LH**
 - (a) Remove the screw.
 - (b) Disengage the claw and remove the center seat hinge cover upper LH.
3. **REMOVE CENTER SEAT ASSEMBLY**
 - (a) Release the rubber band on the backside of the rear seatback board sub-assembly.
 - (b) Remove the hog rings.
 - (c) Remove the 4 bolts and center seat assembly.
4. **REMOVE REAR SEAT HEADREST ASSEMBLY CENTER**



- 5. REMOVE REAR SEATBACK LOCK COVER**
 (a) Disengage the 2 claws and remove the rear seatback lock cover as shown in the illustration.



- 6. REMOVE REAR SEATBACK COVER**
 (a) Using a moulding remover, disengage the 8 claws and remove the 2 rear seatback covers.



- 7. REMOVE REAR SEATBACK BOARD SUB-ASSEMBLY**
 (a) Disengage the 4 clips and remove the rear seatback board sub-assembly.

- 8. REMOVE RECLINING COVER PROTECTOR RH**
 (a) Using a clip remover, remove the clip.
 (b) Remove the screw and reclining cover protector RH.

- 9. REMOVE CENTER SEAT CUSHION ASSEMBLY**
 (a) Using a "torx" socket wrench (T45), remove the 2 "torx" bolts and center seat cushion assembly.

- 10. REMOVE CENTER SEAT CUSHION FRAME SUB-ASSEMBLY**
 (a) Disengage the hooks and remove the hog rings and center seat cushion frame sub-assembly.

- 11. REMOVE CENTER SEAT CUSHION COVER SUB-ASSEMBLY**
 (a) Remove the hog rings and center seat cushion cover sub-assembly.

- 12. REMOVE REAR SEAT CUSHION PAD CENTER**

- 13. REMOVE REAR SEATBACK HINGE SUB-ASSEMBLY CENTER**

- (a) Using a "torx" socket wrench (T45), remove the 2 "torx" bolts and rear seatback hinge sub-assembly center.

- 14. REMOVE REAR SEATBACK MOULDING LH**

- (a) Remove the 3 screws and rear seatback moulding LH.

15. REMOVE REAR SEATBACK MOULDING RH

- (a) Remove the 3 screws and rear seatback moulding RH.

16. REMOVE REAR SEAT ARMREST ASSEMBLY CENTER

- (a) Using a "torx" socket wrench (T45), remove the 2 "torx" bolts.
- (b) Remove the nut, rear seat center armrest support, and rear seat armrest assembly center.

17. REMOVE REAR SEAT CENTER ARMREST SUPPORT**18. REMOVE REAR SEAT HEADREST SUPPORT**

- (a) Disengage the 2 claws and remove the rear seat headrest support (LH side).

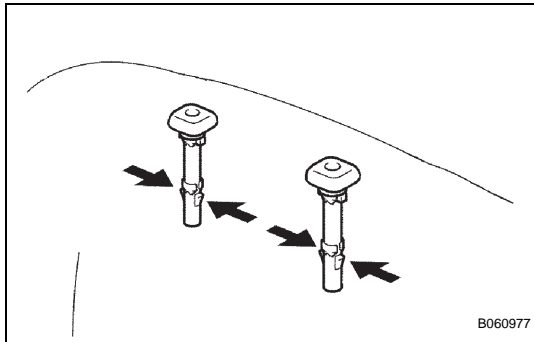
19. REMOVE REAR SEAT HEADREST SUPPORT

HINT:

Use the same procedures described for the LH side.

20. REMOVE NO.1 SEATBACK COVER

- (a) Remove the 2 screws.
- (b) Using a moulding remover, disengage the 2 claws and remove the No.1 seatback cover.

**21. REMOVE COAT HOOK CAP**

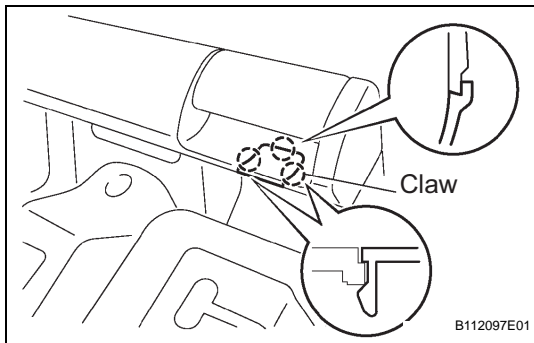
- (a) Using a screwdriver, disengage the 3 claws and remove the coat hook cap.

HINT:

Tape the screwdriver tip before use.

22. REMOVE NO.2 CENTER SEATBACK COVER

- (a) Remove the fold seatback cover.
- (b) Remove the 3 screws and No.2 center seatback cover with the rear seatback rod control lever outer.
- (c) Remove the No.2 center seatback cover from the rear seatback rod control lever outer.

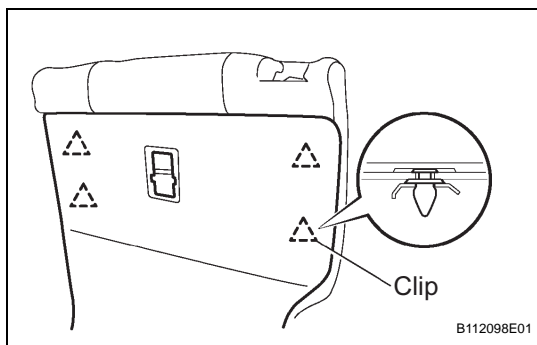
**23. REMOVE REAR SEATBACK ROD CONTROL LEVER OUTER**

- (a) Remove the rear seatback rod control lever outer from the fold seatback wire.

24. REMOVE FOLD SEATBACK WIRE**25. REMOVE REAR SEATBACK LOCK SUB-ASSEMBLY**

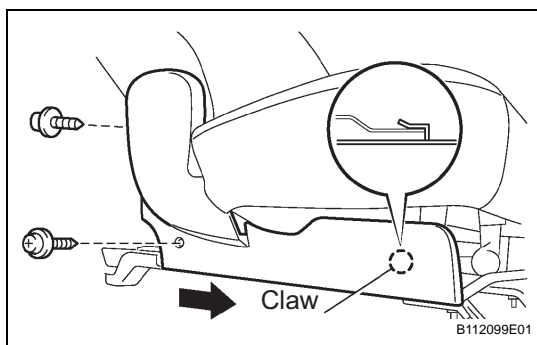
- (a) Remove the 2 bolts and rear seatback lock sub-assembly.

26. REMOVE CENTER SEATBACK FRAME SUB-ASSEMBLY



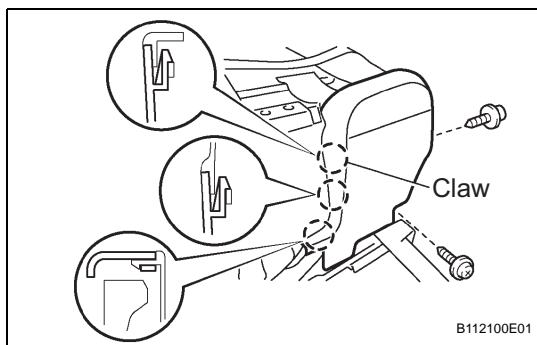
27. REMOVE REAR SEATBACK BOARD CARPET ASSEMBLY

- Release the rubber band on the backside of the rear seatback board carpet assembly.
- Disengage the 4 clips and remove the rear seatback board carpet assembly.



28. REMOVE REAR SEAT CUSHION MOULDING RH

- Remove the 2 screws.
- Disengage the claw and remove the rear seat cushion moulding RH as shown in the illustration.



29. REMOVE REAR SEAT CUSHION MOULDING REAR RH

- Remove the 2 screws.
- Disengage the 3 claws and remove the rear seat cushion moulding rear RH.

30. REMOVE SEPARATE TYPE REAR SEAT CUSHION ASSEMBLY

- Using a "torx" socket wrench (T45), remove the 2 "torx" bolts.
- Remove the hog rings.
- Remove the 2 bolts and separate type rear seat cushion assembly.

31. REMOVE REAR SEAT CUSHION FRAME SUB-ASSEMBLY

- Disengage the hooks and remove the hog rings and rear seat cushion frame sub-assembly.

32. REMOVE SEPARATE TYPE REAR SEAT CUSHION COVER

- Remove the hog rings and separate type rear seat cushion cover.

33. REMOVE REAR SEAT CUSHION PAD

34. REMOVE REAR SEAT BELT ASSEMBLY INNER (See page [SB-28](#))

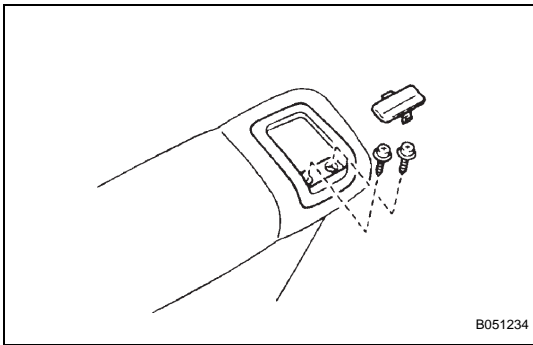
35. REMOVE REAR SEAT HEADREST ASSEMBLY

36. REMOVE REAR SEATBACK LOCK STRIKER COVER

- Using a screwdriver, disengage the 2 claws and remove the rear seatback lock striker cover.

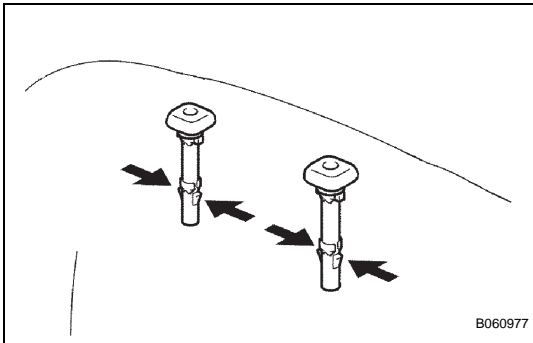
HINT:

Tape the screwdriver tip before use.



37. REMOVE REAR SEAT LOCK CONTROL LEVER SUB-ASSEMBLY

- (a) Remove the 2 screws.
- (b) Disengage the rear seat reclining control cable and remove the rear seat lock control lever sub-assembly.



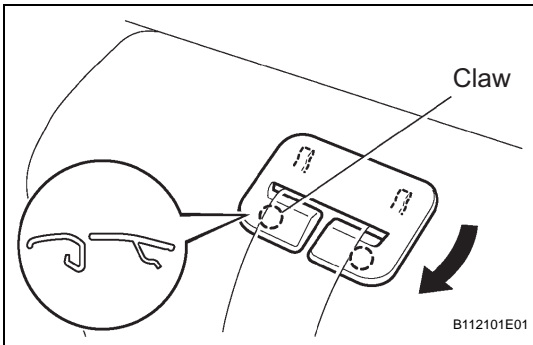
38. REMOVE REAR SEAT HEADREST SUPPORT

- (a) Disengage the 2 claws and remove the rear seat headrest support (LH side).

39. REMOVE REAR SEAT HEADREST SUPPORT

HINT:

Use the same procedures described for the LH side.



40. REMOVE REAR SEATBACK LOCK BEZEL UPPER

- (a) Using a screwdriver, disengage the 4 claws and remove the rear seatback lock bezel upper.

HINT:

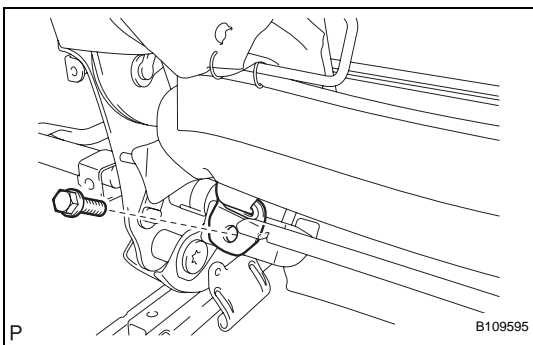
Tape the screwdriver tip before use.

41. REMOVE REAR SEATBACK LOCK STRIKER PROTECTOR

- (a) Remove the rear seatback lock striker protector.

42. REMOVE REAR SEAT LOCK STRIKER

- (a) Using a "torx" socket wrench (T45), remove the rear seat lock striker.



43. REMOVE SEPARATE TYPE REAR SEATBACK COVER WITH PAD

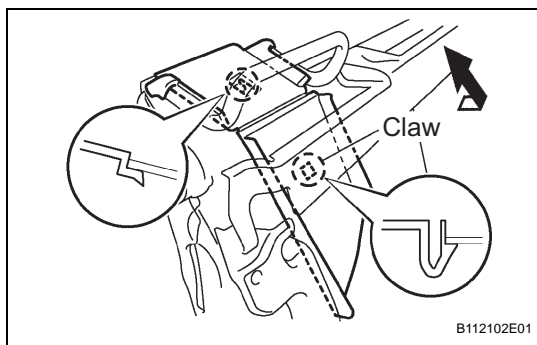
- (a) Remove the bolt and disconnect the floor anchor side of the rear seat belt assembly outer center.
- (b) Remove the 2 clips.
- (c) Remove the bolt and rear seat belt hook.
- (d) Disengage the hooks and remove the hog rings and separate type rear seatback cover with pad.

44. REMOVE SEPARATE TYPE REAR SEATBACK COVER

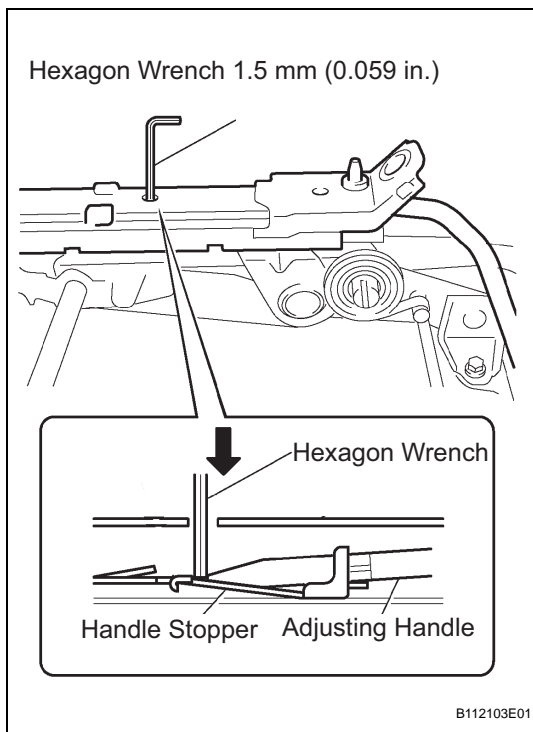
- (a) Remove the hog rings and separate type rear seatback cover.

45. REMOVE SEPARATE TYPE REAR SEATBACK PAD

46. REMOVE REAR CENTER SEAT OUTER BELT ASSEMBLY (See page [SB-41](#))



- 47. REMOVE REAR SEAT SHOULDER BELT COVER**
 - (a) Disengage the 2 claws and remove the rear seat shoulder belt cover as shown in the illustration.
- 48. REMOVE FOLD SEAT STOPPER BAND ASSEMBLY NO.1**
 - (a) Remove the bolt and fold seat stopper band assembly No.1.
- 49. REMOVE REAR SEAT RECLINING COVER INNER RH**
 - (a) Remove the screw.
 - (b) Disengage the claw and remove the rear seat reclining cover inner RH.
- 50. REMOVE REAR SEAT COVER NO.1**
 - (a) Remove the screw and rear seat cover No.1.
- 51. REMOVE REAR SEAT COVER NO.2**
 - (a) Remove the screw and rear seat cover No.2.
- 52. REMOVE REAR SEAT RECLINING CONTROL CABLE**
 - (a) Disconnect the 2 cables and remove the rear seat reclining control cable.
- 53. REMOVE REAR SEATBACK FRAME SUB-ASSEMBLY**
 - (a) Using a "torx" socket wrench (T45), remove the 2 "torx" bolts.
 - (b) Remove the 2 bolts and rear seatback frame sub-assembly.
- 54. REMOVE SEAT TRACK STOP PLATE**
 - (a) Remove the clamp.
 - (b) Disconnect the 2 seat track stop plate cables.
 - (c) Remove the 2 nuts and seat track stop plate.
- 55. REMOVE RECLINING CONTROL LINK SUB-ASSEMBLY**
 - (a) Remove the 2 E-rings and 2 springs.
 - (b) Remove the bolt, nut and reclining control link sub-assembly.
- 56. REMOVE REAR SEATBACK FRAME SUB-ASSEMBLY LOWER**
 - (a) Using a "torx" socket wrench (T45), remove the 3 "torx" bolts.
 - (b) Using a "torx" socket wrench (T55), remove the 2 "torx" bolts and rear seatback frame sub-assembly lower.
- 57. REMOVE FOLD SEAT CUSHION FRAME NO.2**
 - (a) Remove the 4 nuts and 2 fold seat cushion frame No.2.

**58. REMOVE REAR SEAT TRACK ADJUSTING HANDLE**

- (a) Move the rear seat track assembly outer and rear seat track assembly inner fully forward by operating the rear seat track adjusting handle.
- (b) Using a hexagon wrench 1.5 mm (0.059 in.), push down the 2 handle stoppers as shown in the illustration and remove the rear seat track adjusting handle.

59. REMOVE REAR SEAT TRACK ASSEMBLY OUTER**60. REMOVE REAR SEAT TRACK ASSEMBLY INNER**