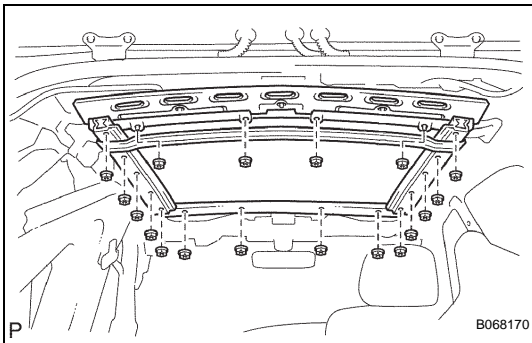
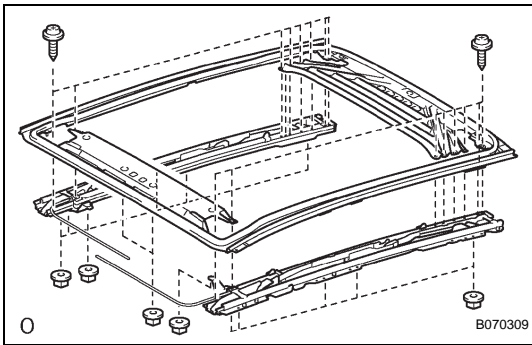


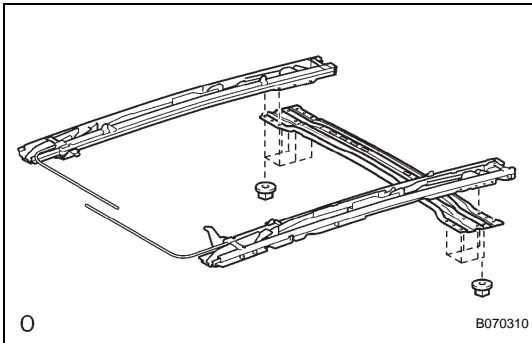
REMOVAL

1. **REMOVE ROOF HEADLINING ASSEMBLY**
(See page IR-6)
2. **REMOVE ROOF DRIP SIDE FINISH MOULDING LH**
3. **REMOVE ROOF DRIP SIDE FINISH MOULDING RH**
4. **REMOVE SLIDING ROOF SIDE GARNISH LH**
(a) Remove the 2 screws and side garnish.
5. **REMOVE SLIDING ROOF SIDE GARNISH RH**
(a) Remove the 2 screws and side garnish.
6. **REMOVE SLIDING ROOF GLASS SUB-ASSEMBLY**
(a) Using a torx wrench (T25), remove the 12 screws.
(b) Gradually remove the sliding roof glass from the front side.
7. **REMOVE SLIDING ROOF HOUSING FRONT MOUNTING BRACKET LH**
(a) Remove the 4 bolts and front bracket.
8. **REMOVE SLIDING ROOF HOUSING FRONT MOUNTING BRACKET RH**
(a) Remove the 4 bolts and front bracket.
9. **REMOVE SLIDING ROOF HOUSING CENTER MOUNTING BRACKET LH**
(a) Remove the 5 bolts and center bracket.
10. **REMOVE SLIDING ROOF HOUSING CENTER MOUNTING BRACKET RH**
(a) Remove the 5 bolts and center bracket.
11. **REMOVE SLIDING ROOF HOUSING REAR MOUNTING BRACKET LH**
(a) Remove the 5 bolts and rear bracket.
12. **REMOVE SLIDING ROOF HOUSING REAR MOUNTING BRACKET RH**
(a) Remove the 5 bolts and rear bracket.
13. **REMOVE SLIDING ROOF HOUSING SUB-ASSEMBLY**
(a) Disconnect the drive gear wire harness connector.
(b) Remove the 18 nuts and housing.
NOTICE:
As the housing is very heavy, work must be done by 2 or more persons together.
14. **REMOVE SLIDING ROOF DRIVE GEAR SUB-ASSEMBLY**
(a) Remove the 2 bolts and drive gear.
15. **REMOVE SUNSHADE TRIM SUB-ASSEMBLY**



**16. REMOVE SLIDING ROOF HOUSING PANEL**

- (a) Remove the 16 screws, 14 nuts and housing panel.

**17. REMOVE SLIDING ROOF HOUSING CENTER FRAME**

- (a) Remove the 12 nuts and center frame.

18. REMOVE SLIDING ROOF DRIVE CABLE SUB-ASSEMBLY

- (a) Pull out the drive cable.

19. REMOVE SLIDING ROOF CABLE GUIDE CASING