

REMOVAL

1. REMOVE ROOF HEADLINING ASSEMBLY

(See page IR-6)

2. REMOVE SLIDING ROOF SIDE GARNISH LH

(a) Using a screwdriver, disengage the clip and remove the side garnish.

HINT:

Tape the screwdriver tip before use.

3. REMOVE SLIDING ROOF SIDE GARNISH RH

HINT:

Use the same procedures described for the LH side.

4. REMOVE SLIDING ROOF GLASS SUB-ASSEMBLY

(a) Using a torx wrench (T25), remove the 4 screws and roof glass.

5. REMOVE SLIDING ROOF HOUSING SUB-ASSEMBLY

(a) Disconnect the 4 hoses and drive gear connector.

(b) Remove the 8 bolts and 4 brackets.

(c) Remove the 8 nuts and housing.

6. REMOVE SLIDING ROOF DRIVE GEAR SUB-ASSEMBLY

(a) Remove the drive gear bracket.

(b) Remove the 2 bolts and drive gear.

7. REMOVE SUNSHADE TRIM SUB-ASSEMBLY

8. REMOVE ROOF DRIP CHANNEL REAR

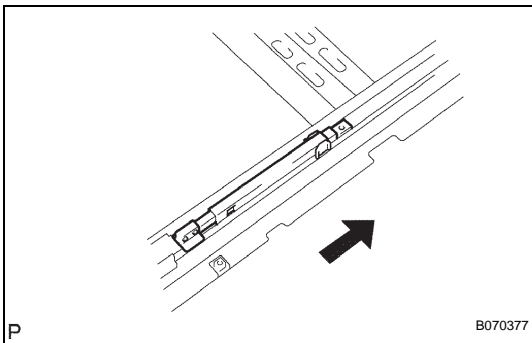
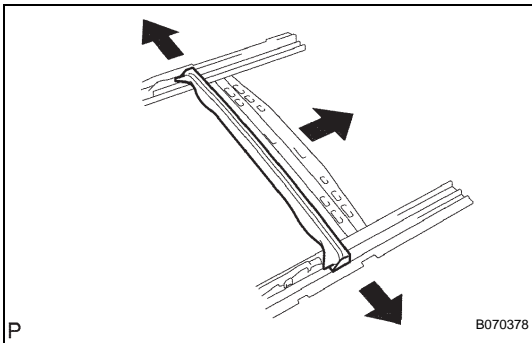
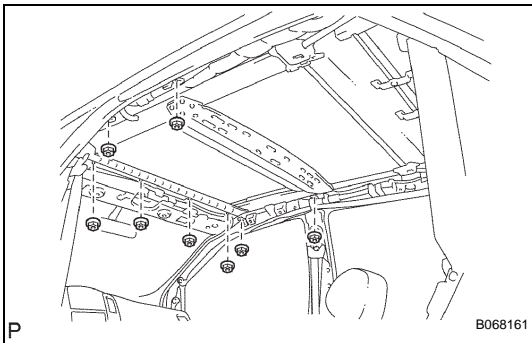
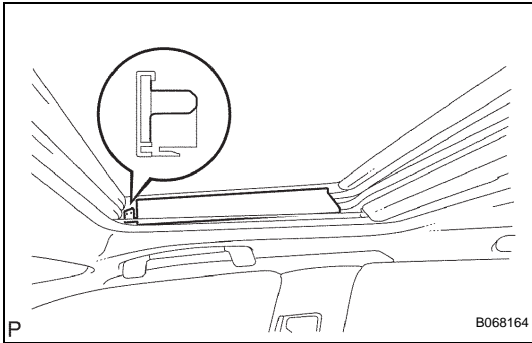
(a) Remove the roof drip channel as shown in the illustration.

9. REMOVE SLIDING ROOF DRIVE CABLE SUB-ASSEMBLY

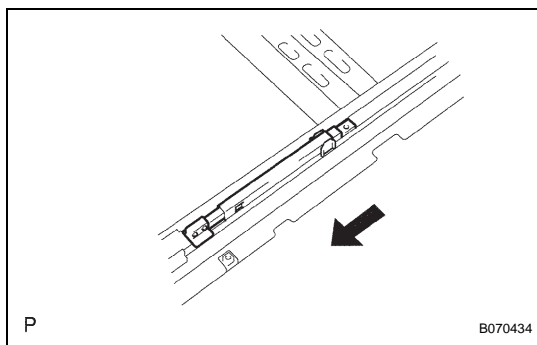
(a) Using a screwdriver, remove the drive cable by sliding it backward.

HINT:

Tape the screwdriver tip before use.

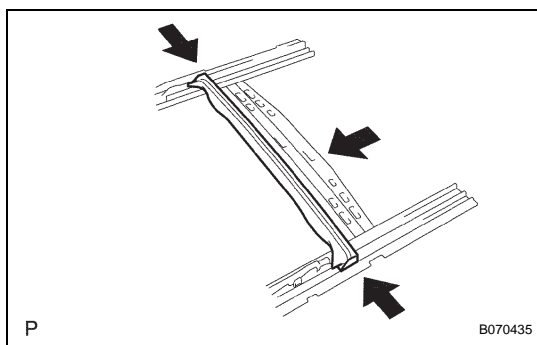


INSTALLATION



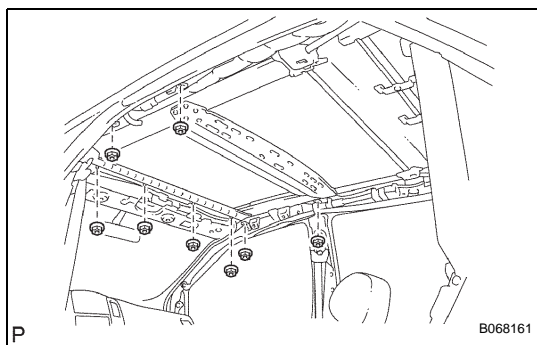
1. INSTALL SLIDING ROOF DRIVE CABLE SUB-ASSEMBLY

- (a) Sliding the drive cable forward, install it.
HINT:
 Tape the screwdriver tip before use.



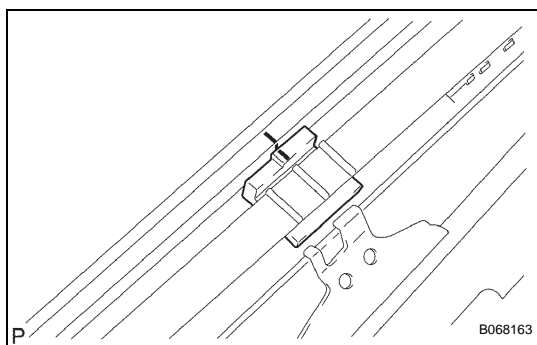
2. INSTALL ROOF DRIP CHANNEL REAR

- (a) Install the roof drip channel rear as shown in the illustration.



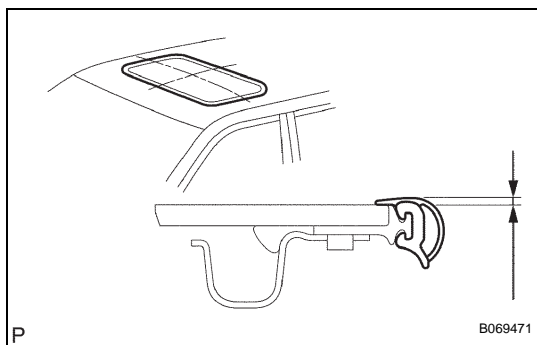
3. INSTALL SLIDING ROOF HOUSING SUB-ASSEMBLY

- (a) Install the housing with the 8 nuts.
 (b) Install the 4 brackets with the 8 bolts.
 (c) Connect the 4 hoses and drive gear connector.



4. ADJUST FULLY CLOSED POSITION

- (a) Using a screwdriver, slide the drive cable of the sliding roof to align the matchmarks.
HINT:
 Tape the screwdriver tip before use.



5. ADJUST SLIDING ROOF GLASS SUB-ASSEMBLY

- (a) Check for a difference in levels between the sliding roof (roof glass) and roof panel.

Difference

Front side	Rear side	LH and RH side	Corner side
0 + 1.0 mm (0 + 0.039 in.)	0 + 2.0 mm (0 + 0.079 in.)	0 ± 1.5 mm (0.059 in.)	0 + 1.5 mm (0 + 0.059 in.)
0 - 2.0 mm (0 - 0.079 in.)	0 - 1.0 mm (0 - 0.039 in.)		0 - 1.0 mm (0 - 0.039 in.)

NOTICE:**The clearance should be even all around.**

- 6. INSTALL SLIDING ROOF GLASS SUB-ASSEMBLY**
 - (a) Using a torx wrench (T25), loosen a screw to adjust the sliding roof panel position. When the adjustment has been done, tighten the screw there.
- 7. CHECK FOR WATER LEAKS**
 - (a) Adjusting the sliding roof, check that there is no water leak.
If a leak is found, readjust the sliding roof.
- 8. RESET SLIDING ROOF POSITION**
(See page [RF-22](#))
- 9. INSTALL ROOF HEADLINING ASSEMBLY**
(See page [IR-13](#))