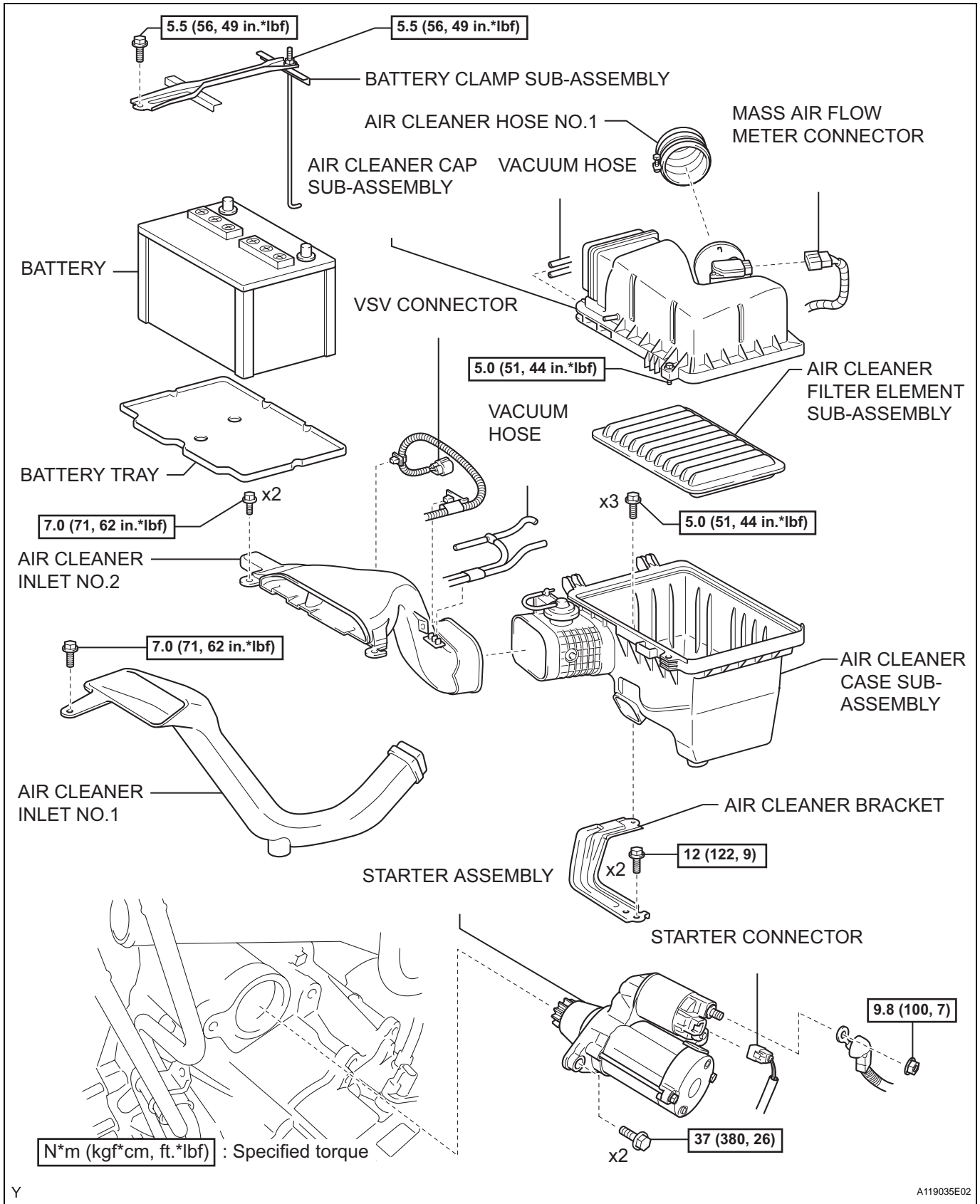


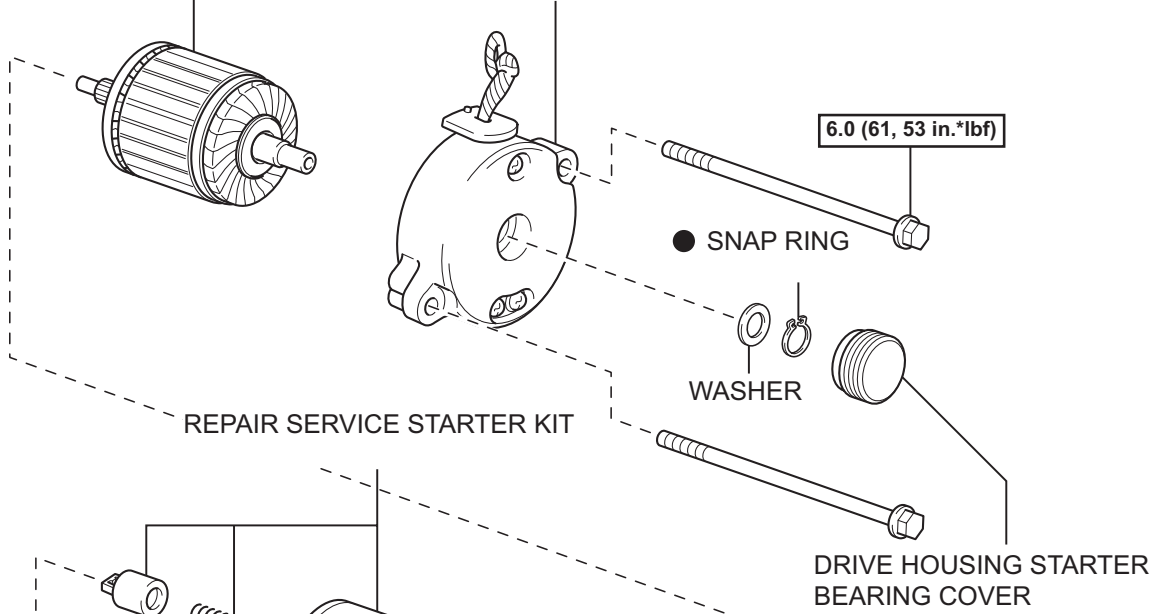
# STARTER COMPONENTS



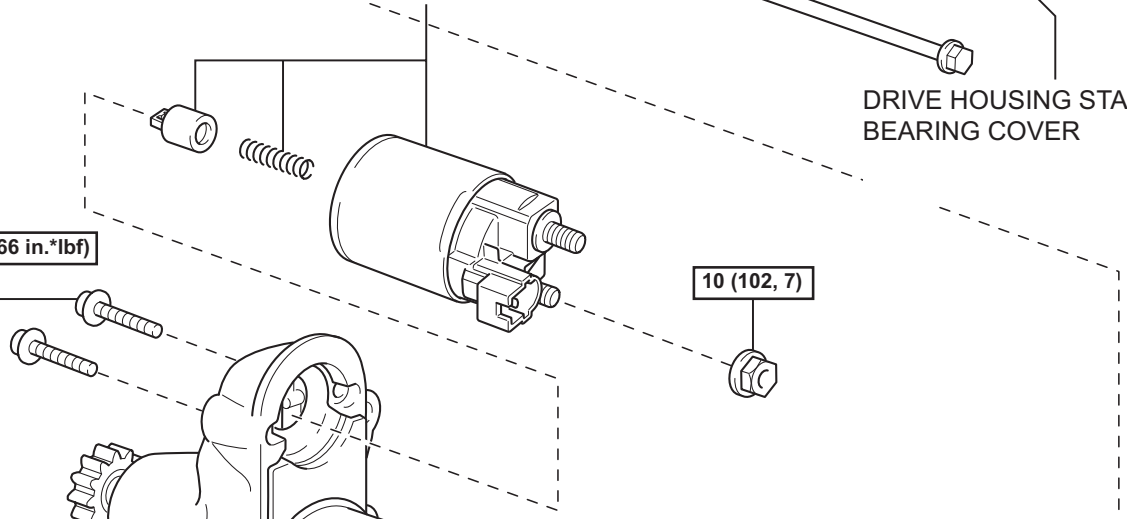
ST

STARTER ARMATURE ASSEMBLY

STARTER COMMUTATOR END FRAME ASSEMBLY



REPAIR SERVICE STARTER KIT



MOTOR TERMINAL STARTER KIT

PLANET GEAR

STARTER YOKE ASSEMBLY

STARTER ARMATURE PLATE

N\*m (kgf\*cm, ft.\*lbf) : Specified torque

● Non-reusable part

ST