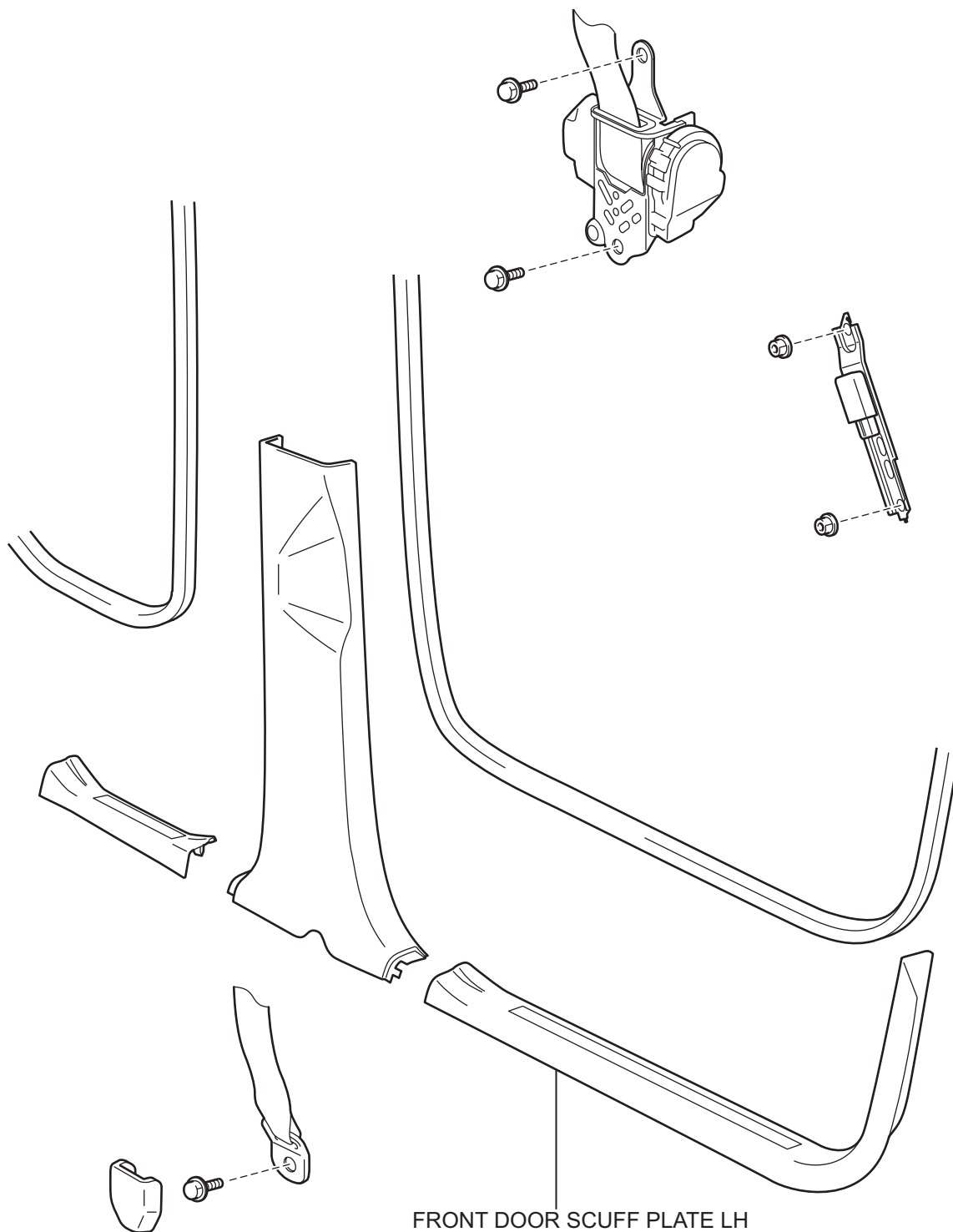


MULTIPLEX TILT AND TELESCOPIC ECU

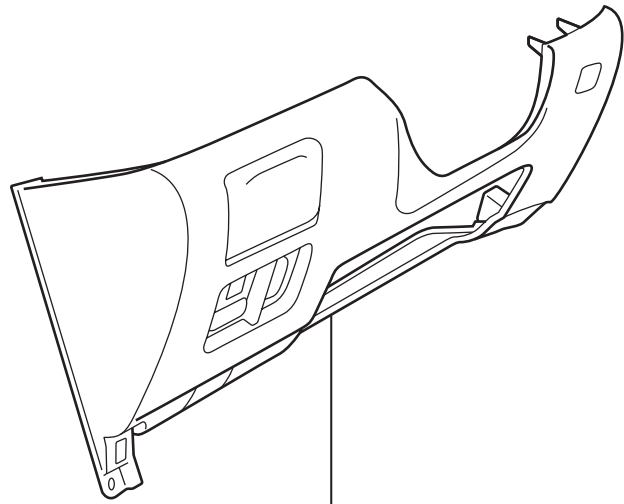
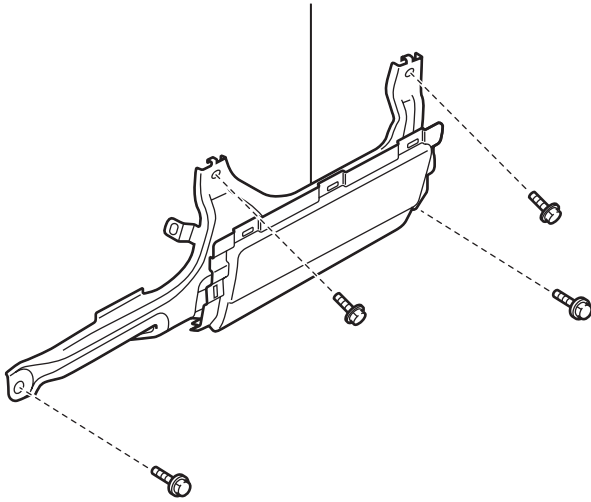
COMPONENTS



SR

SR

INSTRUMENT PANEL AIR BAG ASSEMBLY LOWER NO.1



INSTRUMENT PANEL FINISH PANEL SUB-ASSEMBLY LOWER

C

C118821E01

