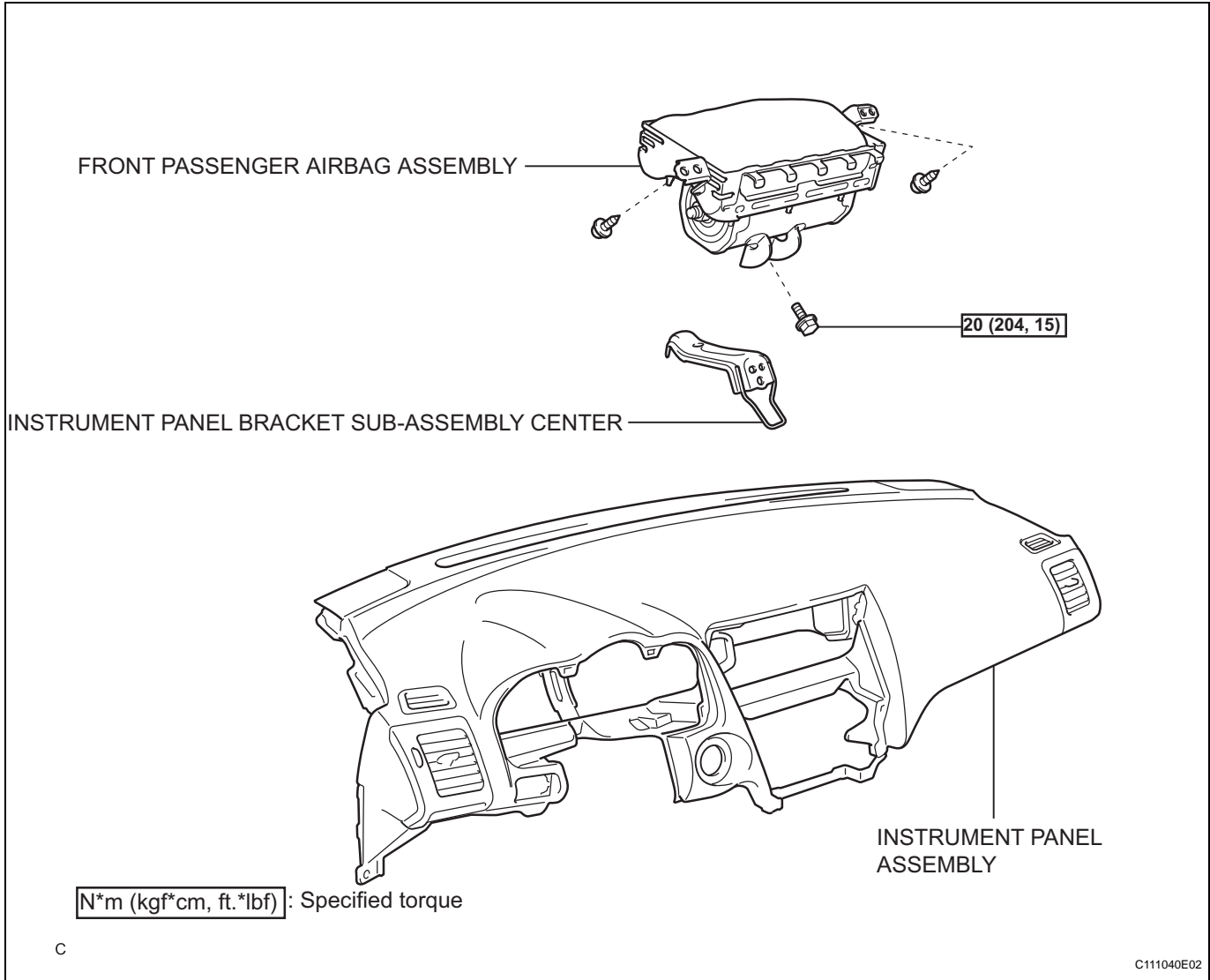


# FRONT PASSENGER AIRBAG ASSEMBLY

## COMPONENTS

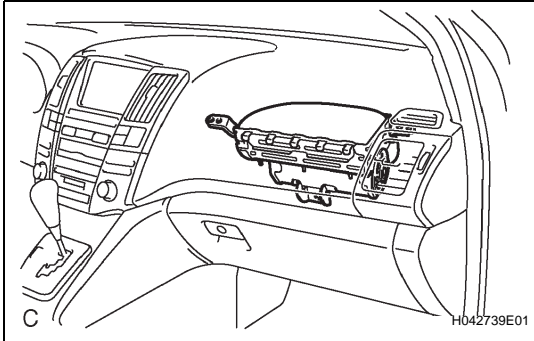
RS



## ON-VEHICLE INSPECTION

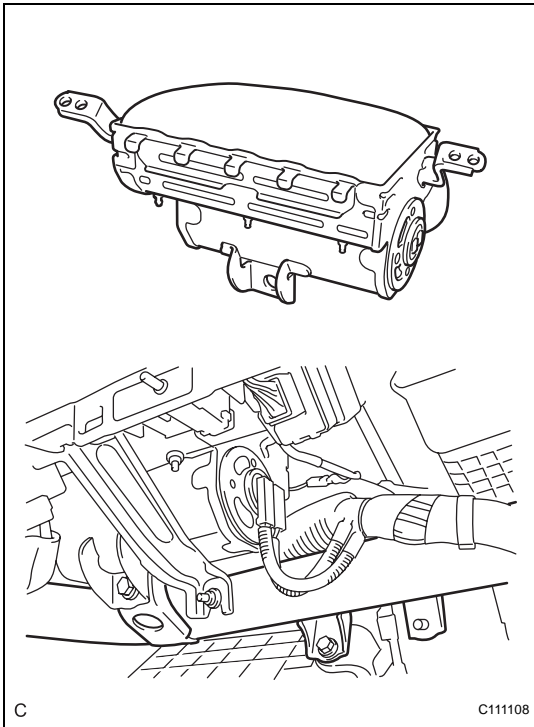
### 1. INSPECT FRONT PASSENGER AIRBAG ASSEMBLY (VEHICLE NOT INVOLVED IN COLLISION)

- (a) Perform a diagnostic system check (See page [RS-25](#)).
- (b) With the front passenger airbag assembly installed on the vehicle, perform a visual check. If there are any defects as mentioned below, replace the instrument panel with a new one:  
Cuts, minute cracks or marked discoloration on the instrument panel around the front passenger airbag assembly.



### 2. INSPECT FRONT PASSENGER AIRBAG ASSEMBLY (VEHICLE INVOLVED IN COLLISION AND AIRBAG HAS NOT DEPLOYED)

- (a) Perform a diagnostic system check (See page [RS-25](#)).
- (b) With the front passenger airbag assembly removed from the vehicle, perform a visual check. If there are any defects as mentioned below, replace the front passenger airbag assembly, instrument panel or instrument panel reinforcement with a new one:
  - Cuts, minute cracks or marked discoloration on the front passenger airbag assembly.
  - Cracks or other damage to the connectors.
  - Deformation or cracks on the instrument panel or instrument panel reinforcement.

**CAUTION:**

Be sure to follow the correct removal and installation procedures.