

REMOVAL

1. PRECAUTION

CAUTION:

Be sure to read the "PRECAUTION" thoroughly before servicing (See page [RS-1](#)).

2. DISCONNECT CABLE FROM NEGATIVE BATTERY TERMINAL

CAUTION:

Wait for 90 seconds after disconnecting the cable to prevent the airbag working.

3. REMOVE FRONT DOOR SCUFF RH PLATE

HINT:

Use the same procedures for the front door scuff RH plate and the front door scuff LH plate (See page [IP-13](#)).

4. REMOVE FRONT DOOR OPENING TRIM RH WEATHERSTRIP

5. REMOVE COWL SIDE TRIM SUB-ASSEMBLY RH

HINT:

Use the same procedures for the cowl side trim sub-assembly RH and the cowl side trim sub-assembly LH (See page [IP-13](#)).

6. REMOVE INSTRUMENT PANEL NO.2 UNDER COVER SUB-ASSEMBLY (See page [IP-13](#))

7. REMOVE GLOVE COMPARTMENT DOOR ASSEMBLY (See page [IP-13](#))

8. DISCONNECT FRONT PASSENGER AIRBAG ASSEMBLY CONNECTOR

- (a) Disconnect the 2 connectors from the front passenger airbag assembly.

NOTICE:

When handling the airbag connector, take care not to damage the airbag wire harness.

9. REMOVE INSTRUMENT PANEL ASSEMBLY

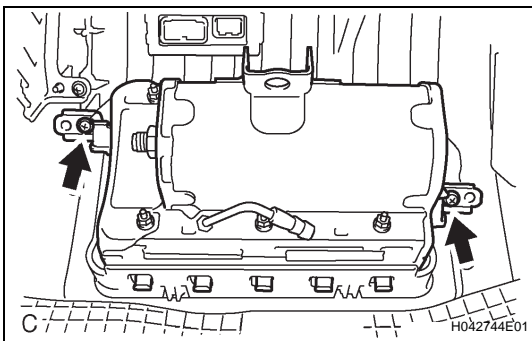
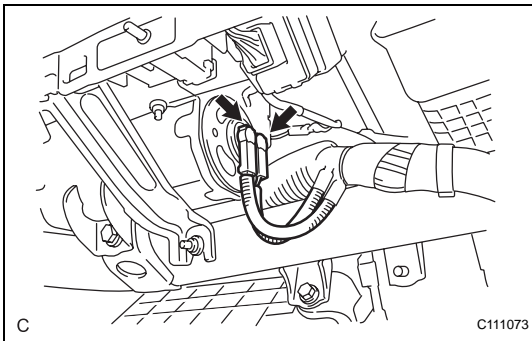
HINT:

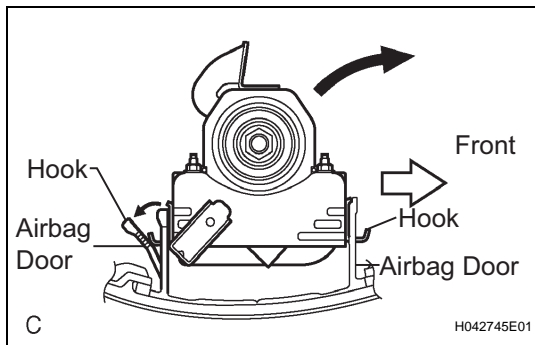
Refer to the procedures up to "REMOVE INSTRUMENT PANEL ASSEMBLY" (See page [IP-15](#)).

10. REMOVE INSTRUMENT PANEL BRACKET SUB-ASSEMBLY CENTER (See page [IP-19](#))

11. REMOVE FRONT PASSENGER AIRBAG ASSEMBLY

- (a) Remove the 2 screws.





- (b) Release the rear side airbag door from the hook by slightly deflecting it and roll the front passenger airbag assembly forward.
- (c) Release the front side airbag door from the other hook and remove the front passenger airbag assembly.