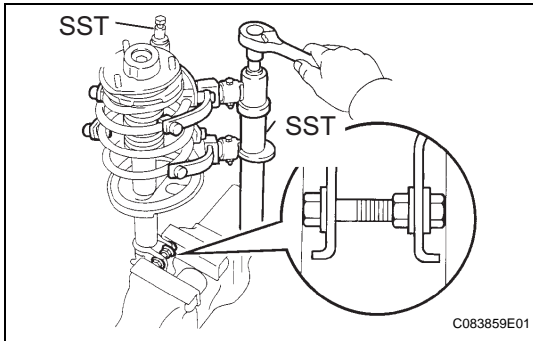


- (d) Remove the 3 nuts on the upper side of the front shock absorber with coil spring.
- (e) Remove the front shock absorber with coil spring.

**NOTICE:**

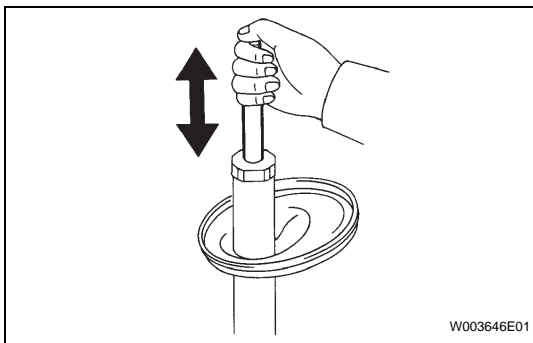
**Make sure that the front speed sensor is disconnected from the front shock absorber.**

**5. FIX FRONT SHOCK ABSORBER WITH COIL SPRING**

- (a) As shown in the illustration to the left, secure the front shock absorber with coil spring in a vise by clamping onto a double nutted bolt affixed to the bracket at the bottom of the absorber.

**6. REMOVE SHOCK ABSORBER ASSEMBLY FRONT LH**

- (a) Using SST, compress the front coil spring LH.  
**SST 09727-30021 (09727-00010, 09727-00021)**  
**NOTICE:**  
**Do not use an impact wrench. It will damage the SST.**  
**HINT:**  
Use 2 of the same types of SST.
- (b) Remove the front suspension support sub-assembly LH, front suspension support bearing LH, front coil spring seat upper LH, front coil spring insulator upper LH, front coil spring LH, front spring bumper LH and front coil spring insulator Lower LH from the shock absorber assembly front LH.

**INSPECTION****1. INSPECT SHOCK ABSORBER ASSEMBLY FRONT LH**

- (a) Compress and extend the shock absorber rod 4 or more times.  
Then check that there is no abnormal resistance or sound and operation resistance is normal.

**HINT:**

If there is any abnormality, replace the shock absorber assembly front LH with a new one.

**NOTICE:**

**When disposing of the shock absorber assembly front LH, see DISPOSAL (See page SP-14).**

## INSTALLATION

### 1. INSTALL SHOCK ABSORBER ASSEMBLY FRONT LH

- (a) Install the front coil spring insulator lower LH onto the shock absorber assembly front LH.
- (b) Install the front spring bumper LH to the piston rod.
- (c) Using SST, compress the front coil spring LH.

**SST 09727-30021 (09727-00010, 09727-00021)**

**NOTICE:**

**Do not use an impact wrench. It will damage the SST.**

**HINT:**

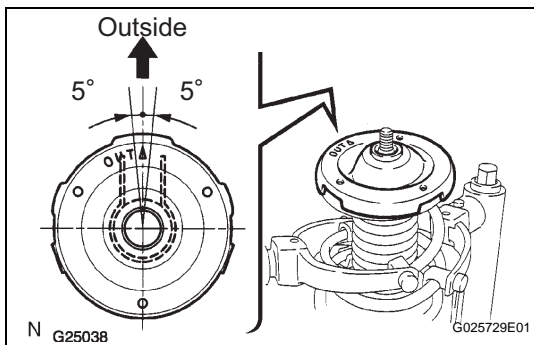
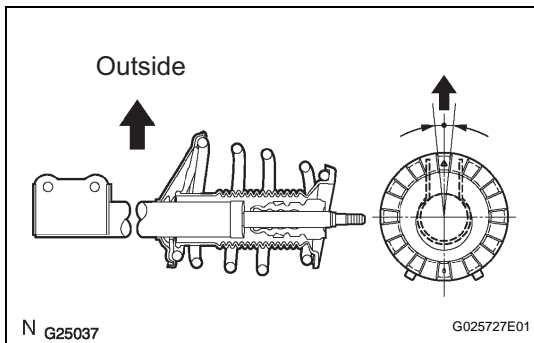
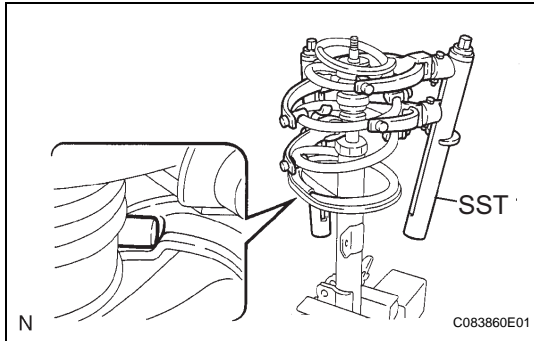
Use 2 of the same type of SST.

- (d) Install the front coil spring LH to the shock absorber assembly front LH.

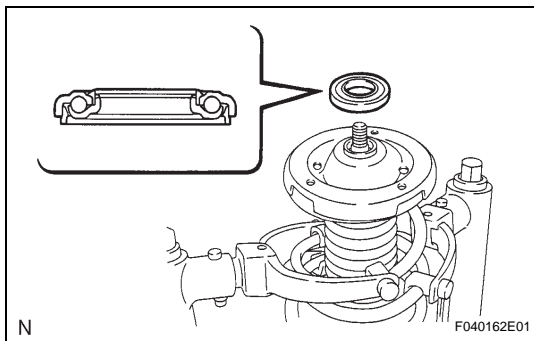
**HINT:**

Fit the lower end of the front coil spring LH in the gap of the spring lower seat.

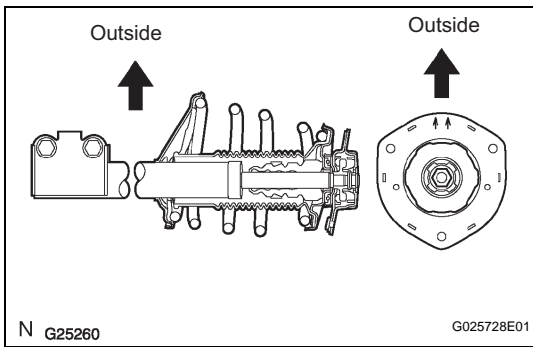
- (e) Install the front coil spring insulator upper LH as shown in the illustration.



- (f) Install the front coil spring seat upper LH to the shock absorber assembly front LH with the mark facing to the outside of the vehicle.



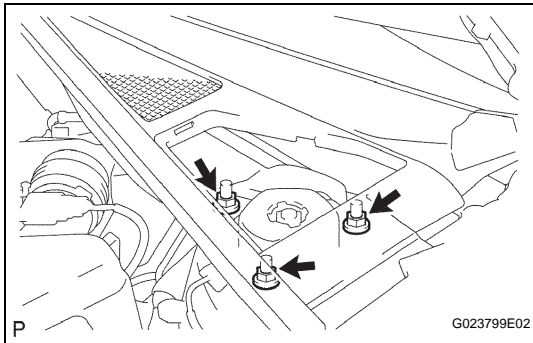
- (g) Install a new front suspension support bearing LH.



- (h) Install the front suspension support sub-assembly LH with the mark facing to the outside of the vehicle.
- (i) Temporarily tighten a new lock nut.
- (j) Remove the SST slowly in order to release the coil spring.

**SST 09727-30021 (09727-00010, 09727-00021)**

## 2. INSTALL FRONT SHOCK ABSORBER WITH COIL SPRING

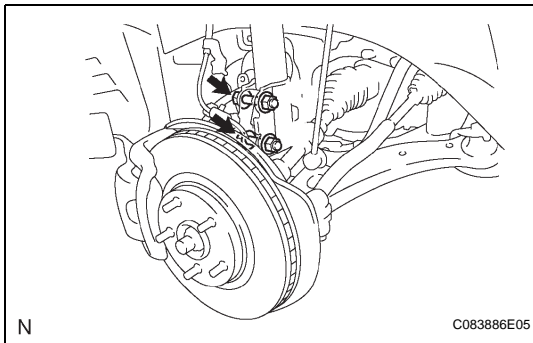


- (a) Install the front shock absorber with coil spring as shown in the illustration.
- (b) Install the 3 nuts to the upper side of front shock absorber with coil spring.

**Torque: 80 N\*m (816 kgf\*cm, 59 ft.\*lbf)**

### NOTICE:

**Do not torque the nuts until installing the bolts and nuts (lower side)**

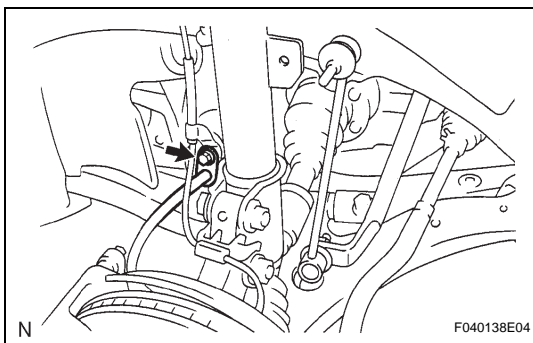


- (c) Install the 2 bolts and 2 nuts to the lower side of front shock absorber with coil spring.

**Torque: 230 N\*m (2,350 kgf\*cm, 170 ft.\*lbf)**

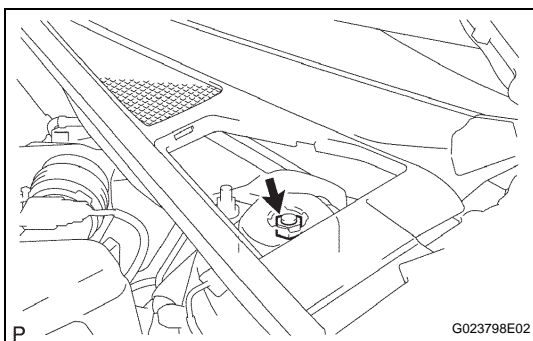
### NOTICE:

**When the installing the nuts, keep the bolts from rotating and torque the nuts.**



- (d) Install the front flexible hose No. 1 and speed sensor wire harness front LH with the bolt.

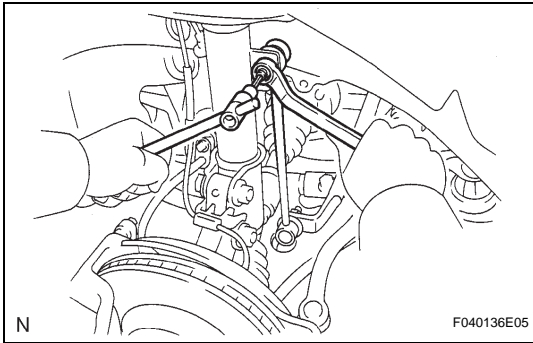
**Torque: 19 N\*m (194 kgf\*cm, 14 ft.\*lbf)**



- (e) Fully tighten the lock nut.

**Torque: 49 N\*m (500 kgf\*cm, 36 ft.\*lbf)**

## 3. INSTALL COWL TOP SILENCER PAD LH



4. **INSTALL FRONT STABILIZER LINK ASSEMBLY LH**
  - (a) Install the front stabilizer link assembly LH with the nut.  
**Torque: 74 N\*m (755 kgf\*cm, 55 ft.\*lbf)**  
HINT:  
If the ball joint turns together with the nut, use a hexagon (6 mm) wrench to hold the stud.
5. **INSTALL FRONT WHEEL**  
**Torque: 103 N\*m (1,050 kgf\*cm, 76 ft.\*lbf)**
6. **INSPECT AND ADJUST FRONT WHEEL ALIGNMENT**