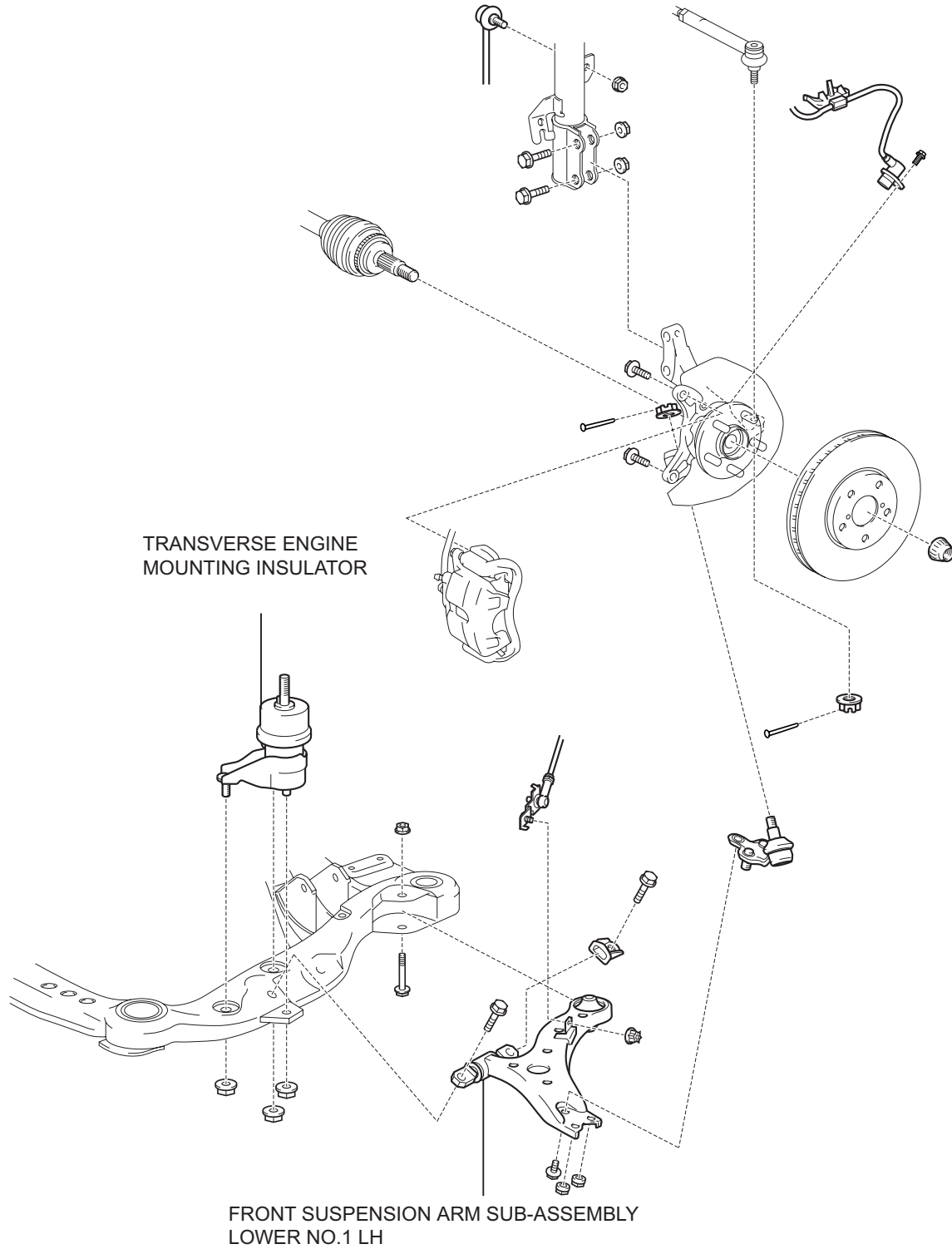


FRONT SUSPENSION NO. 1 LOWER ARM

COMPONENTS

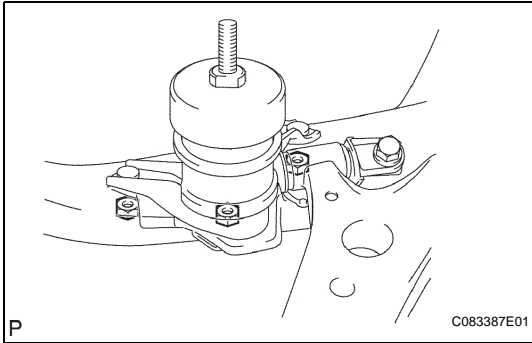


SP

REMOVAL

1. REMOVE ENGINE ASSEMBLY WITH TRANSAXLE
2. REMOVE TRANSVERSE ENGINE MOUNTING INSULATOR

(a) Remove the 3 nuts and the transverse engine mounting insulator.



3. REMOVE FRONT SUSPENSION ARM SUB-ASSEMBLY LOWER NO.1 LH

(a) Remove the 3 bolts and the nut on the suspension lower arm No. 1 and LH and remove it from the engine front support member.

(b) Remove the front lower arm bush stopper.

