

## INSTALLATION

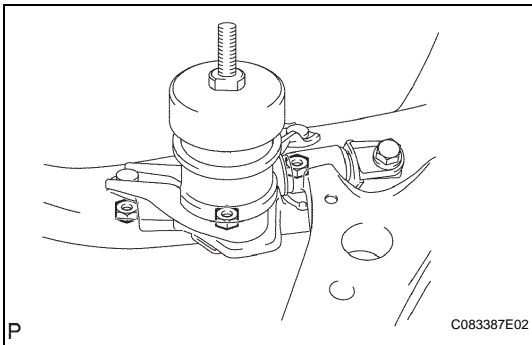
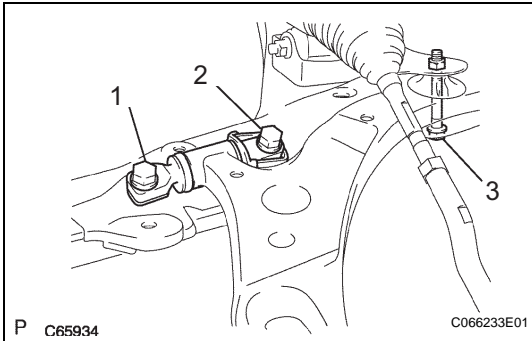
### 1. INSTALL FRONT SUSPENSION ARM SUB-ASSEMBLY LOWER NO.1 LH

- (a) Install the front lower arm bush stopper.
- (b) Install the suspension lower arm No. 1 LH to the engine front support member with the 3 bolts and the nut but do not tighten.
- (c) Tighten the 3 bolts in numerical order shown in the illustration.

**Torque: 200 N\*m (2,040 kgf\*cm, 148 ft.\*lbf) (bolt 1, 2)**  
**206 N\*m (2,100 kgf\*cm, 152 ft.\*lbf) (bolt 3)**

**HINT:**

Start installing the bolts from the front side of the vehicle.



### 2. INSTALL TRANSVERSE ENGINE MOUNTING INSULATOR

- (a) Install the transverse engine mounting insulator with the 3 nuts.

**Torque: 87 N\*m (887 kgf\*cm, 64 ft.\*lbf)**

### 3. INSTALL ENGINE ASSEMBLY WITH TRANSAXLE