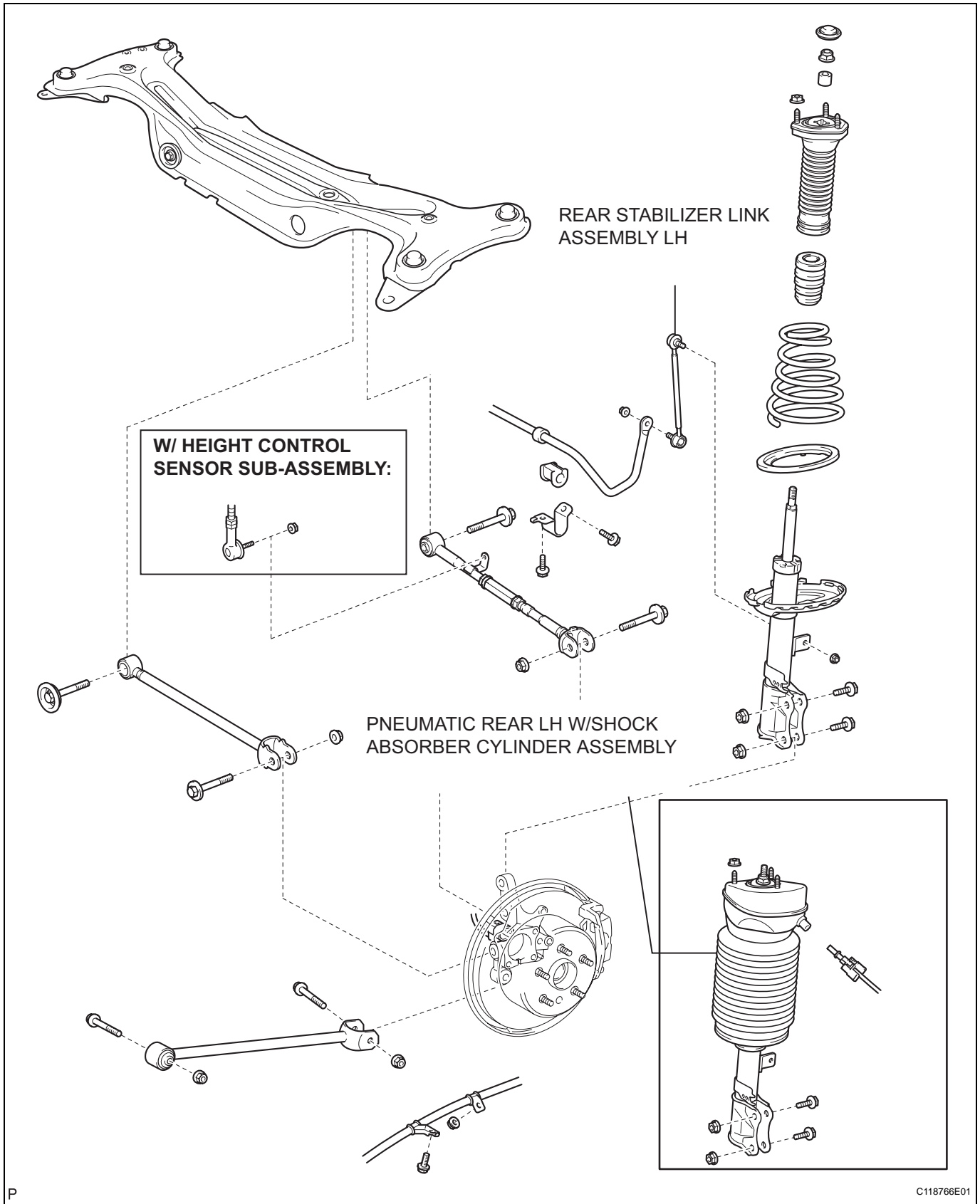
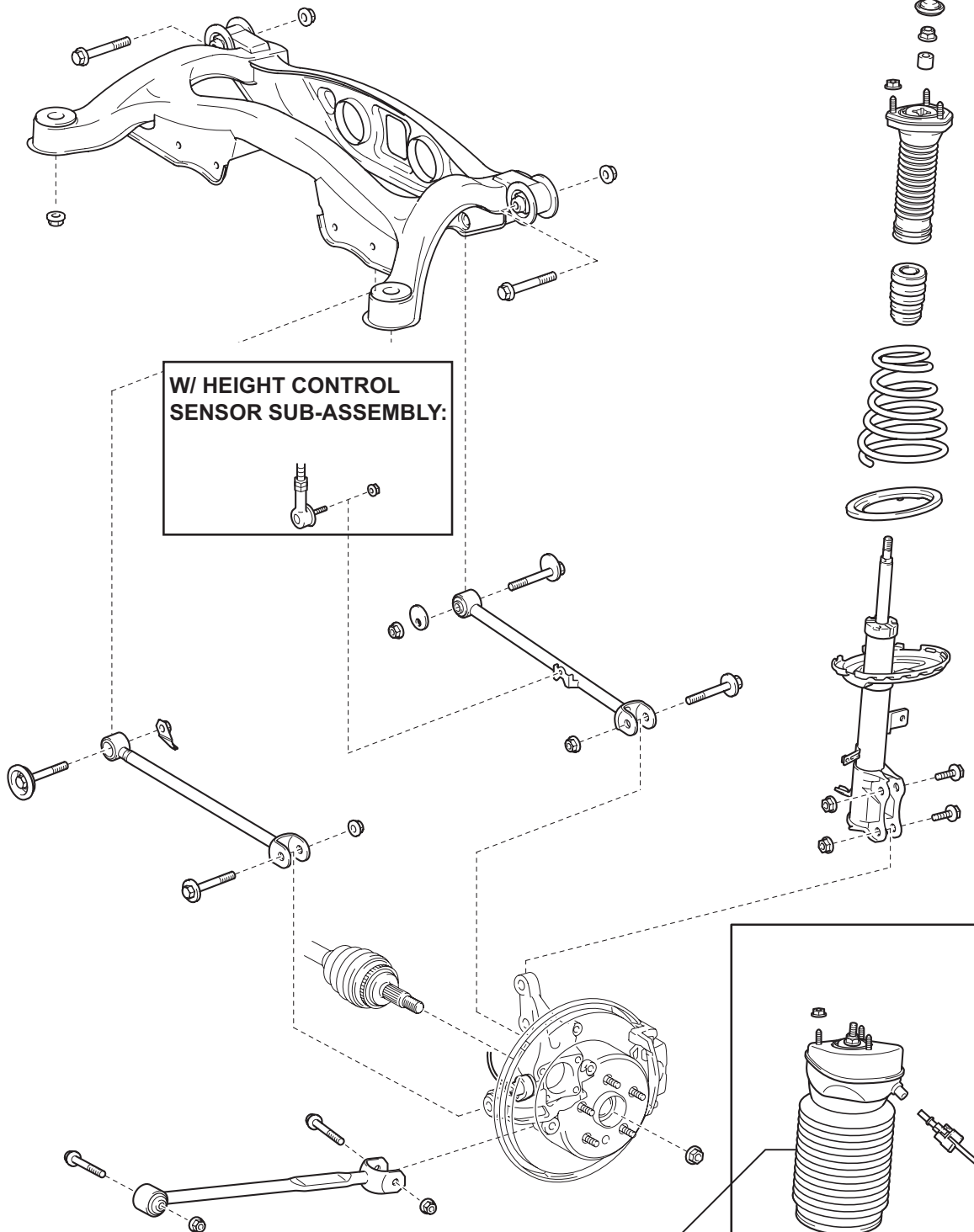


PNEUMATIC CYLINDER WITH REAR SHOCK ABSORBER COMPONENTS



SP



SP