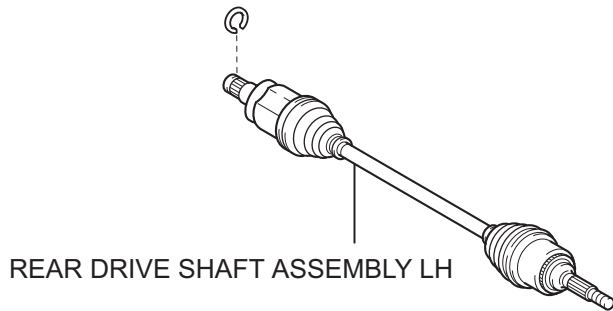
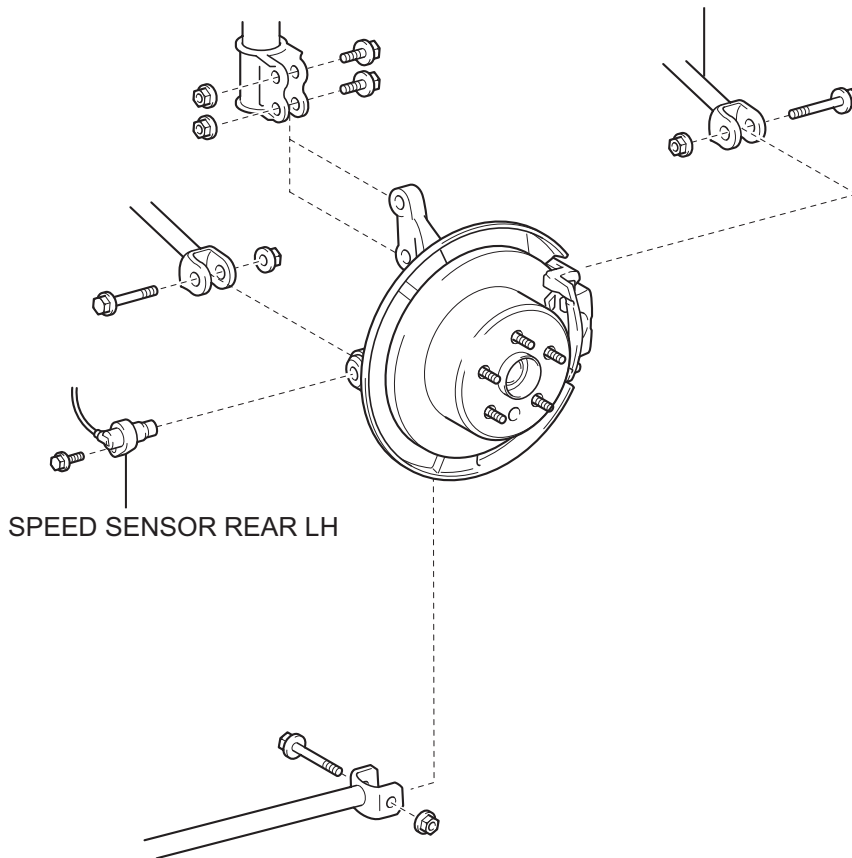


REAR SUSPENSION NO. 1 ARM (for 4WD)

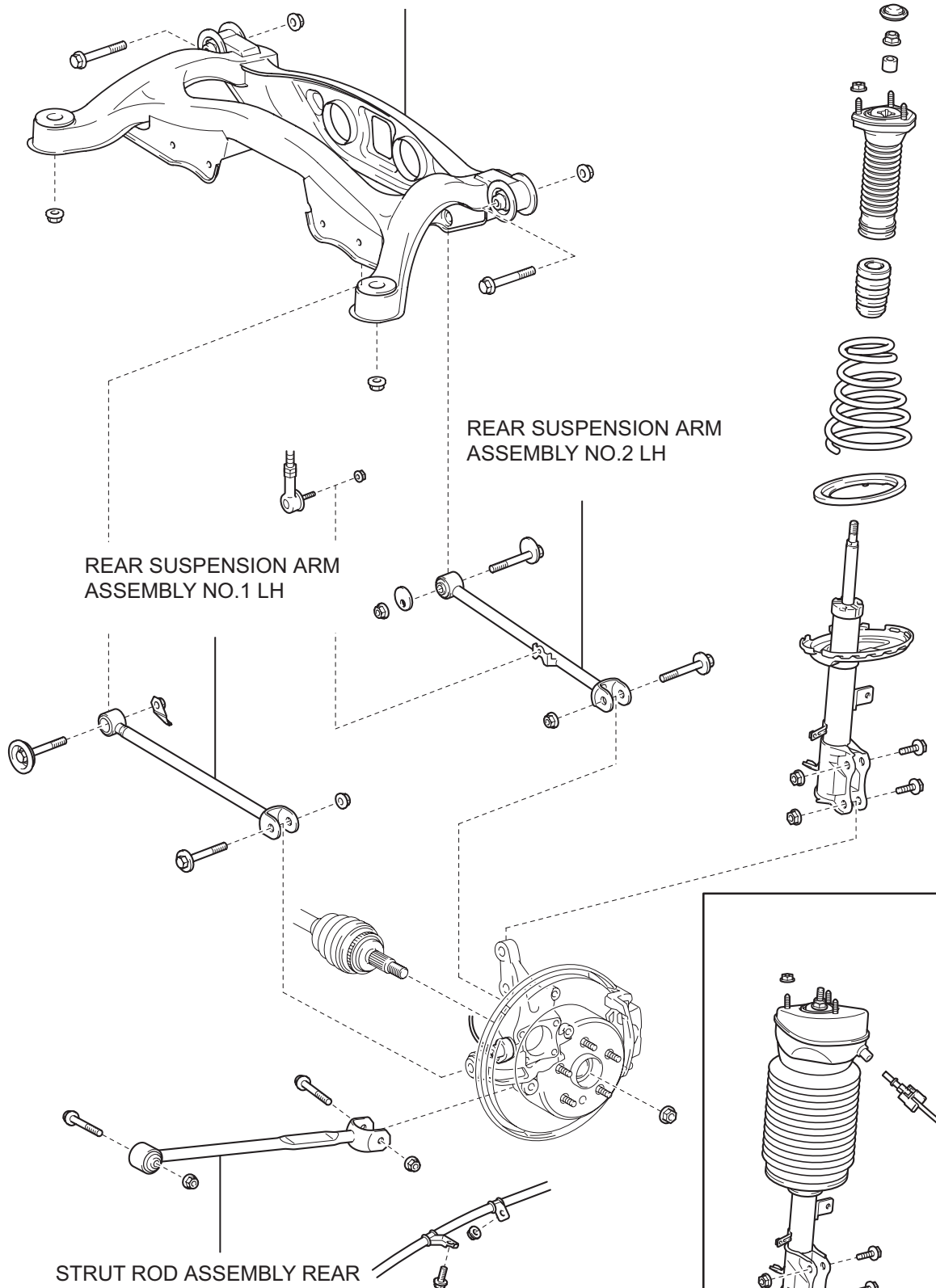
COMPONENTS



REAR SUSPENSION ARM ASSEMBLY NO.2 LH



REAR SUSPENSION MEMBER SUB-ASSEMBLY



SP