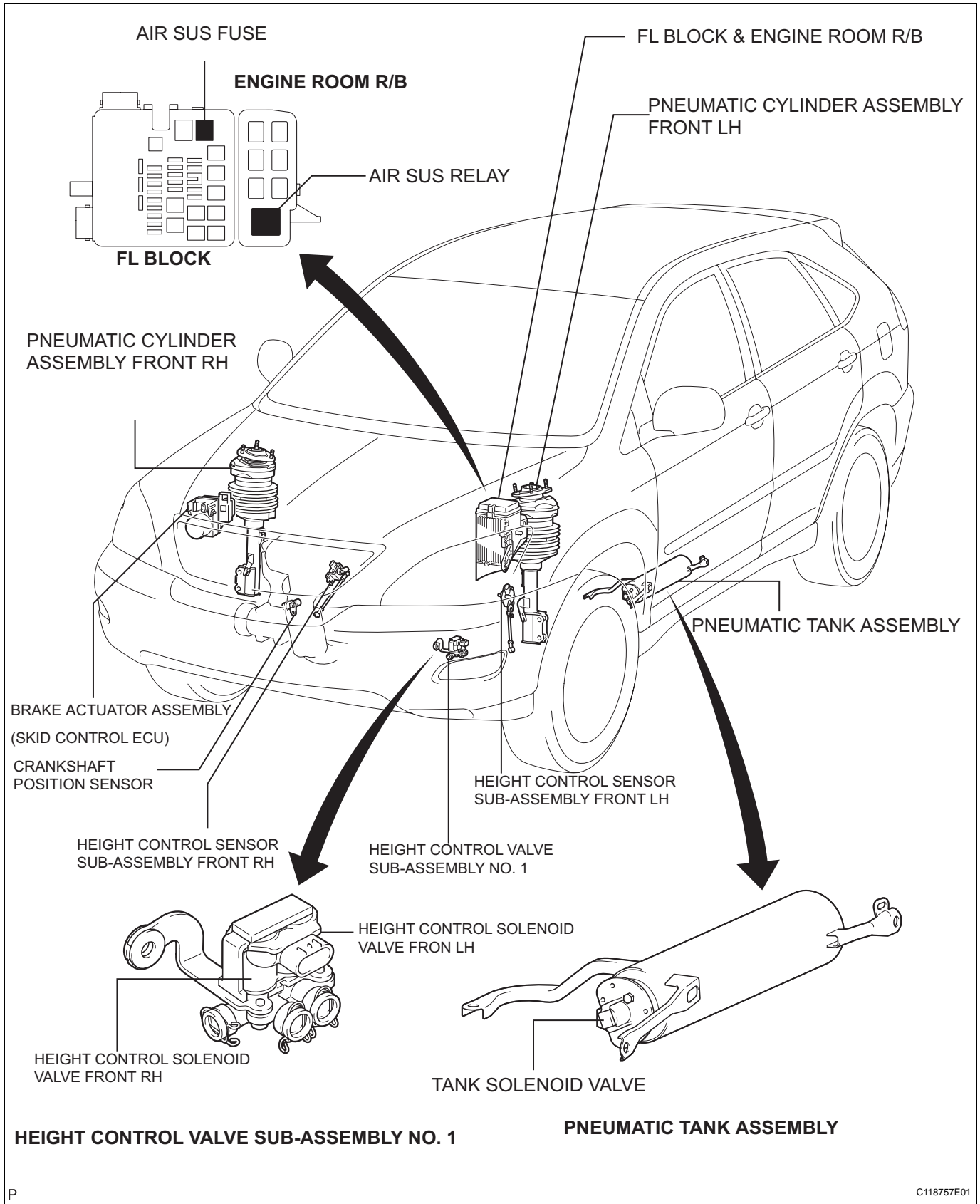
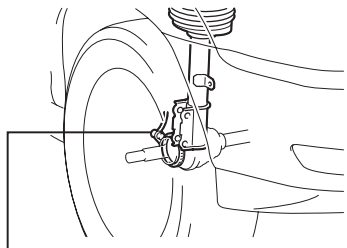
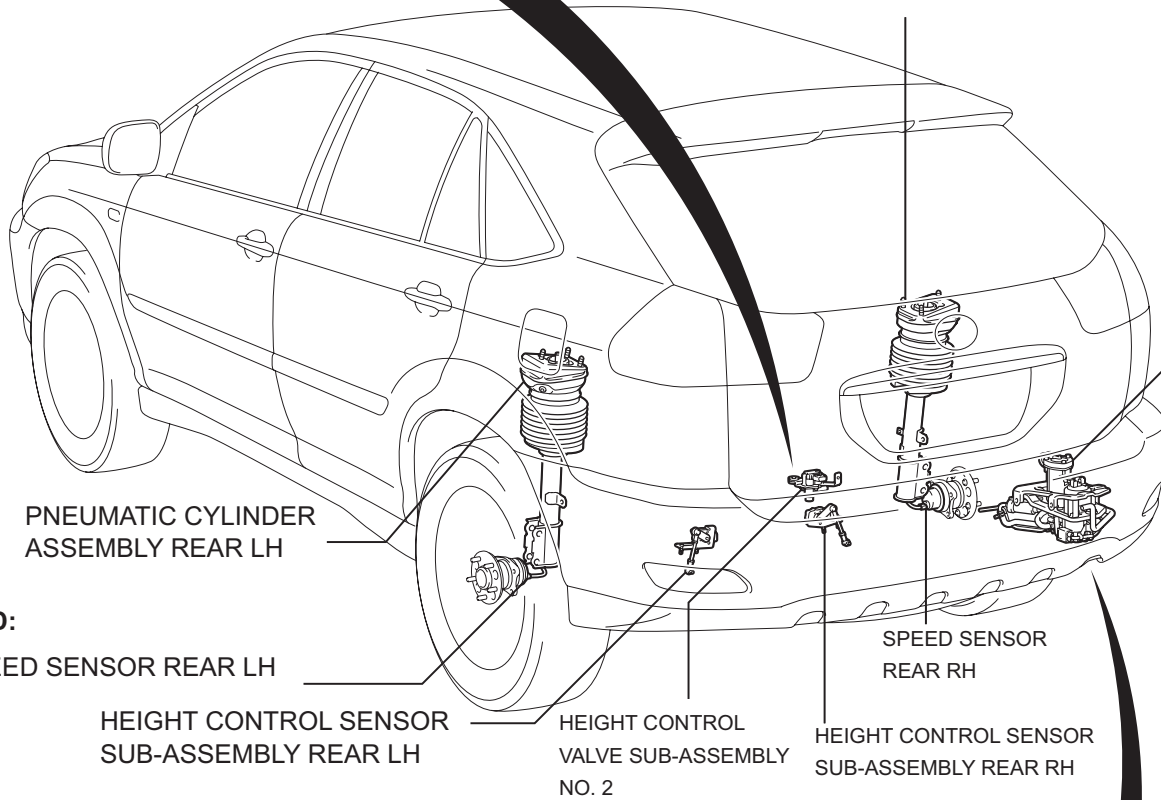
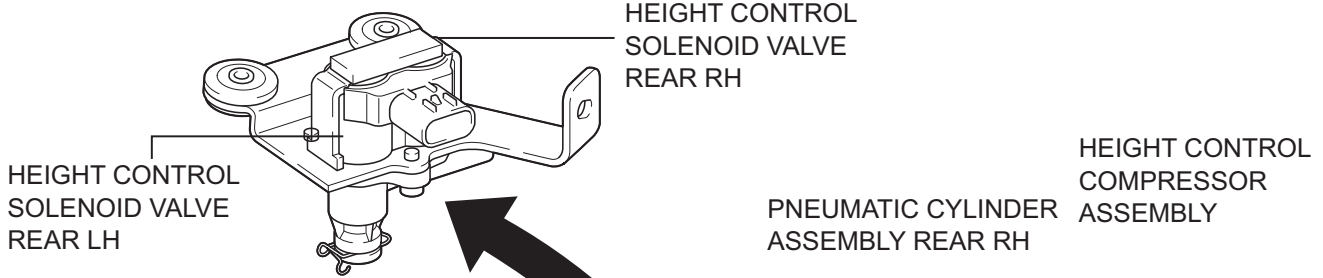


PARTS LOCATION

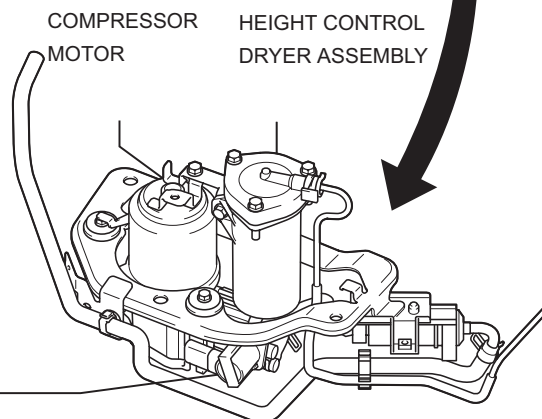


SC

HEIGHT CONTROL VALVE SUB-ASSEMBLY NO. 2

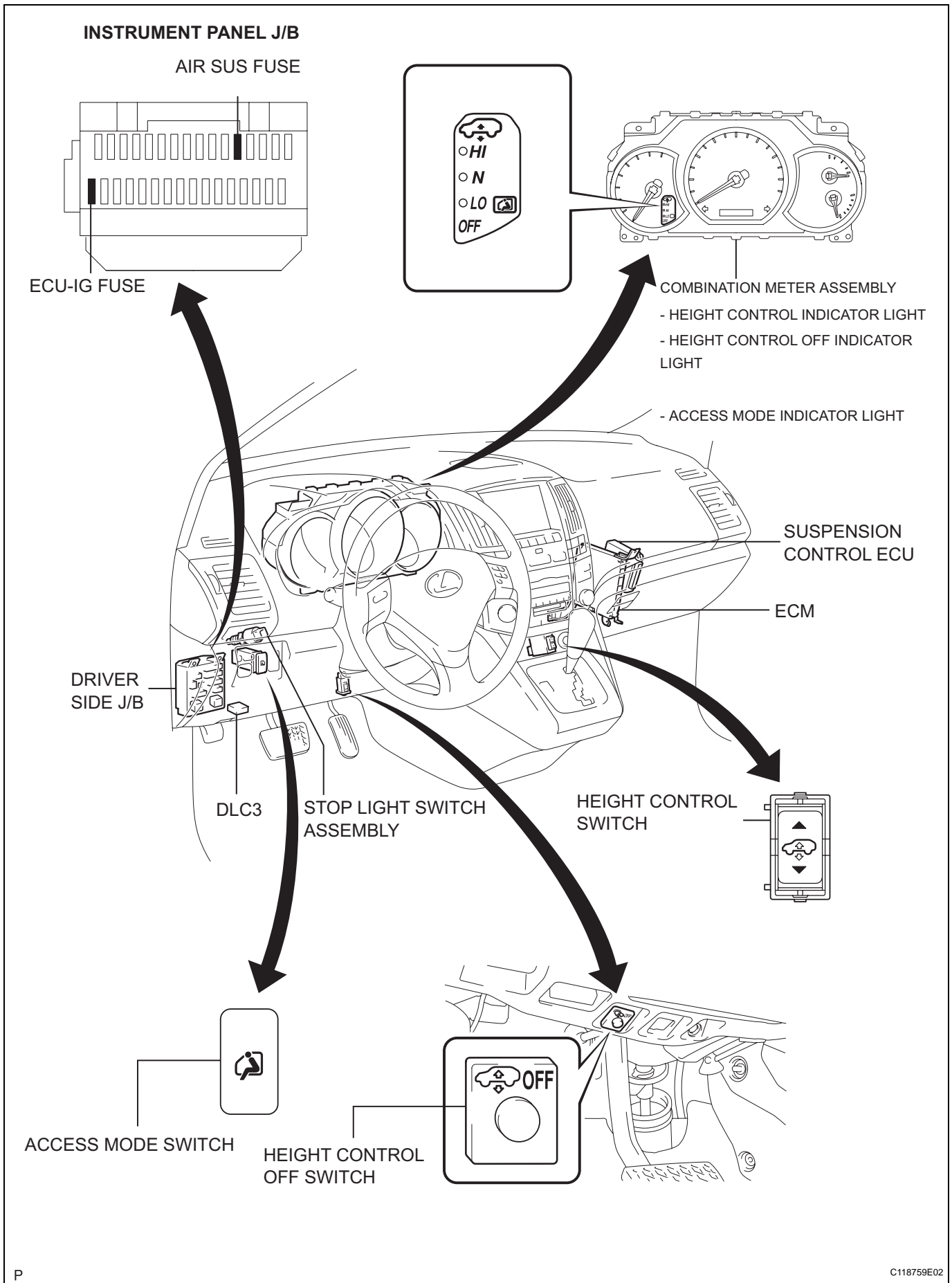


4WD:
SPEED SENSOR REAR



HEIGHT CONTROL COMPRESSOR ASSEMBLY

SC



SC