

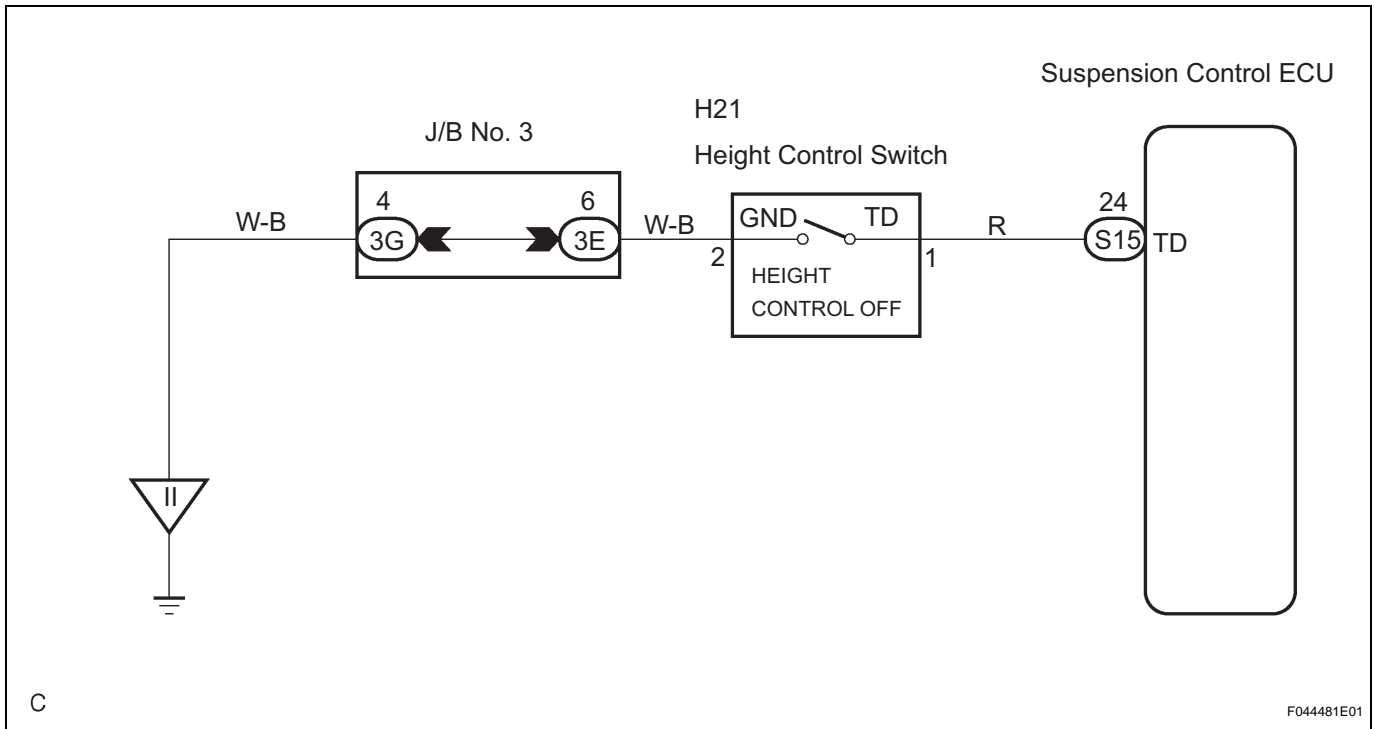
DTC	C1788/88	Height Control OFF Switch Circuit
------------	-----------------	--

DESCRIPTION

When selecting the height control OFF switch, all the vehicle height controls are suspended. Do not work under the vehicle, when the height control OFF switch does not operate properly. Disallowance of the vehicle height control is recorded even when the minus terminal of the battery is disconnected.

DTC No.	DTC Detecting Condition	Trouble Area
C1788/88	Height control OFF switch signal does not change.	<ul style="list-style-type: none"> Height control OFF switch Height control OFF switch circuit Suspension control ECU

WIRING DIAGRAM



HINT:

Start the inspection from step 1 when using the intelligent tester, and start from step 2 when not using the intelligent d tester.

1	READ VALUE OF INTELLIGENT TESTER
----------	---

- (a) Connect the intelligent tester to the DLC3.
- (b) Turn the ignition switch to the ON position, and push the intelligent tester main switch on.
- (c) Select the item below in the DATA LIST, and read its value displayed on the intelligent tester.



AIRSUS

Item	Normal Condition
HEIGHT SW HOLD	ON: Height control OFF switch pressing OFF: -

- (d) Check that the value displayed on the intelligent tester changes by pressing the height control OFF switch.

OK:
Height control OFF switch value changes.

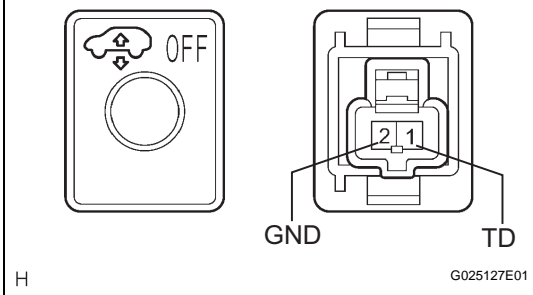
NG → Go to step 2

OK

REPLACE SUSPENSION CONTROL ECU

2 INSPECT HEIGHT CONTROL OFF SWITCH

Height Control OFF Switch:



- (a) Disconnect the height control OFF switch connector.
- (b) Measure the resistance according to the values in the table below.

Resistance

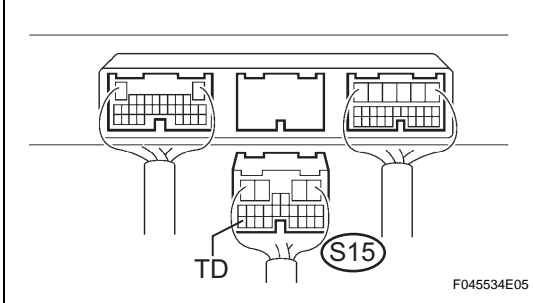
Switch Condition	Tester Connection	Specified Condition
Pushed in	1 (TD) - 2 (GND)	Below 1 Ω
Free	1 (TD) - 2 (GND)	10 kΩ or higher

NG → REPLACE HEIGHT CONTROL OFF SWITCH

OK

3 CHECK HARNESS AND CONNECTOR (SUSPENSION CONTROL ECU - HEIGHT CONTROL OFF SWITCH)

Suspension Control ECU Wire Harness Side:



- (a) Disconnect the suspension control ECU S15 connector.
- (b) Measure the resistance according to the values in the table below.

Resistance

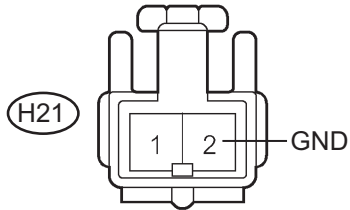
Tester Connection	Specified Condition
S15-24 (TD) - H21-1 (TD)	Below 1 Ω
S15-24 (TD) - Body ground	10 kΩ or higher

NG → REPAIR OR REPLACE HARNESS OR CONNECTOR

OK

4 CHECK HARNESS AND CONNECTOR (HEIGHT CONTROL OFF SWITCH - BODY GROUND)

Height Control OFF Switch Wire Harness Side:



(a) Measure the resistance according to the values in the table below.

Resistance

Tester Connection	Specified Condition
H21-2 (GND) - Body ground	Below 1 Ω

NG

REPAIR OR REPLACE HARNESS OR CONNECTOR

OK

REPLACE SUSPENSION CONTROL ECU