

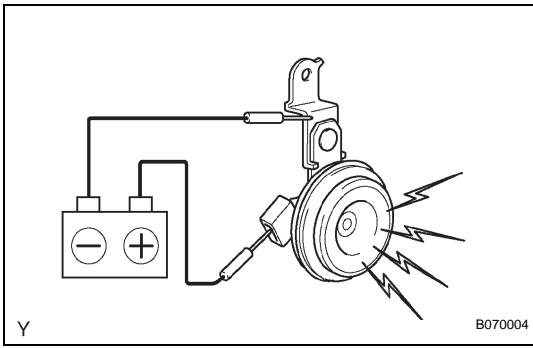
SECURITY HORN ASSEMBLY

INSPECTION

1. INSPECT SECURITY HORN ASSEMBLY

- (a) Check operation of the horn.

Standard



Measurement Condition	Specified Condition
Battery positive (+) → Terminal 1	Horn sounds
Battery negative (-) → Horn body	

If the result is not as specified, replace the security horn assembly.