

POWER WINDOW CONTROL SYSTEM

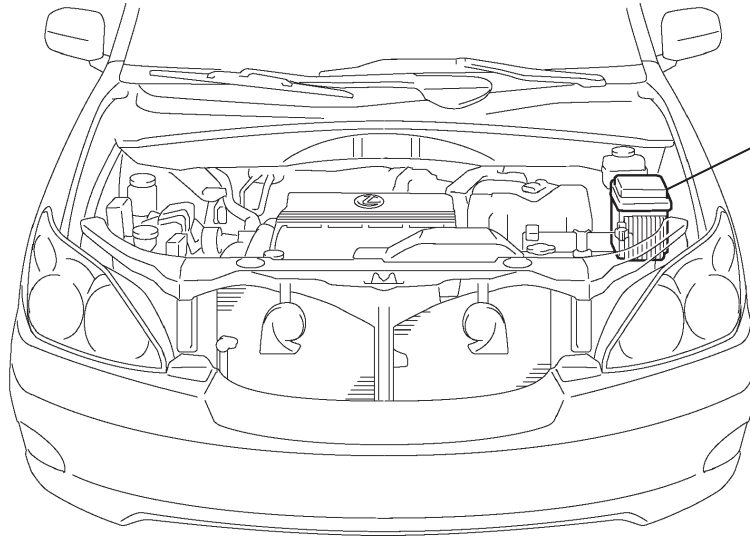
PRECAUTION

NOTICE:

When disconnecting the negative (-) battery cable, initialize the following systems after the cable is reconnected.

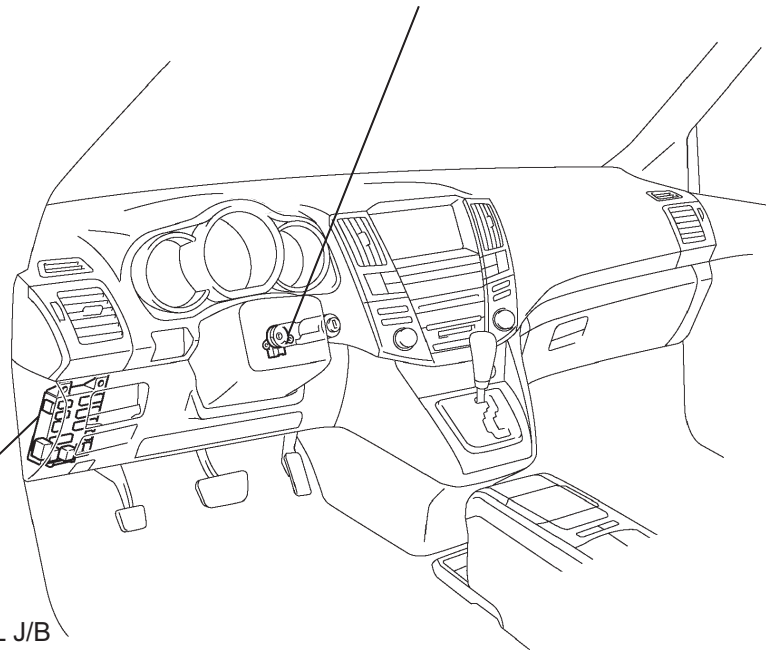
System Name	See Procedure
Lighting System (Adaptive Front-Lighting system)	LI-17
Sliding Roof Control	RF-22 and RF-4
Power Window Control System	WS-12
Power Back Door System	ED-33

PARTS LOCATION



- FL BLOCK
- ECU-B NO.1 FUSE
 - ECU-IG NO.1 FUSE

IGNITION SWITCH ASSEMBLY



INSTRUMENT PANEL J/B

- BODY ECU
- IG1 RELAY
- PWR FUSE

WS

