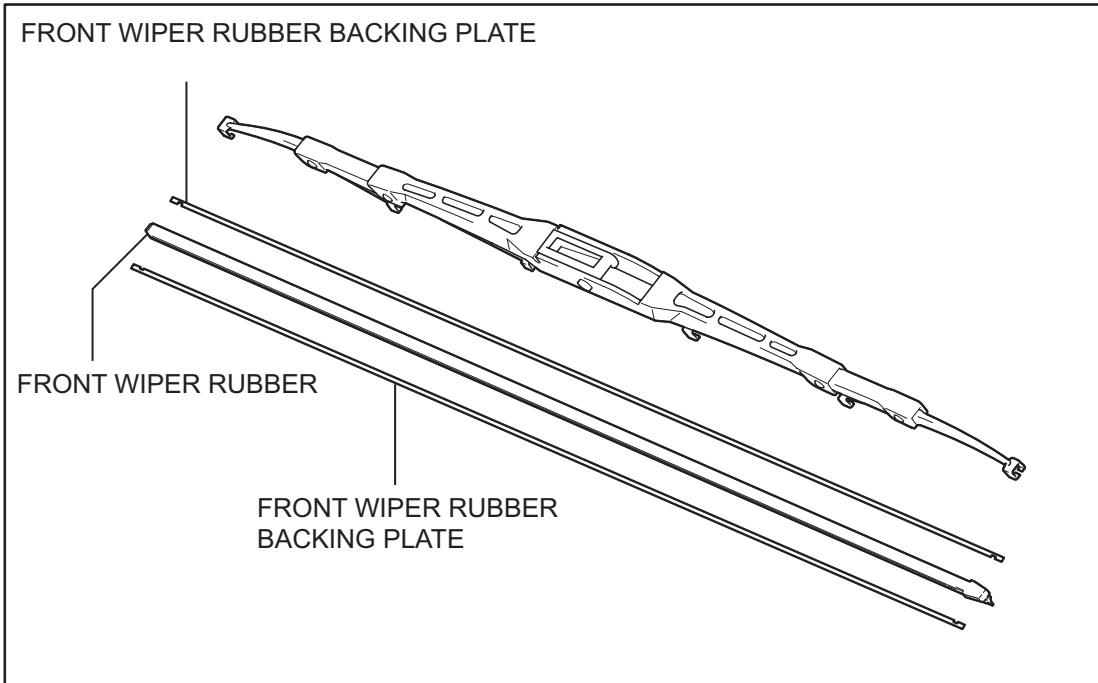
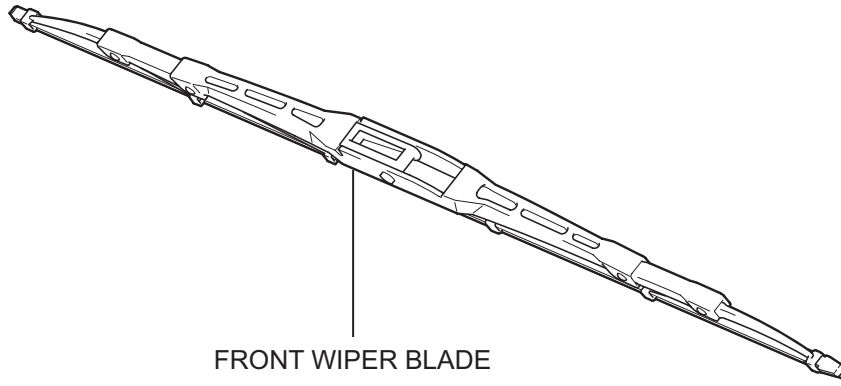


FRONT WIPER RUBBER

COMPONENTS



REMOVAL

1. REMOVE FRONT WIPER BLADE

- (a) Remove the front wiper blade from the front wiper arm.

NOTICE:

Do not bend the front wiper arm with the front wiper blade removed, as the arm tip could damage the windshield surface.

2. REMOVE FRONT WIPER RUBBER

- (a) Remove the front wiper rubber from the front wiper blade.
- (b) Remove the wiper rubber from the 2 wiper rubber backing plates.

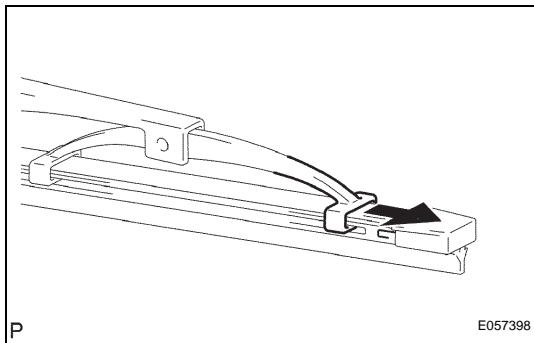
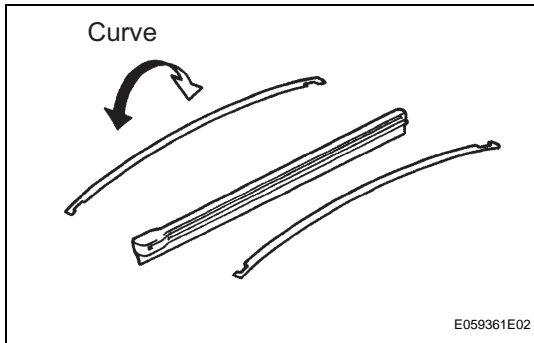
INSTALLATION

1. INSTALL FRONT WIPER RUBBER

- (a) Install the wiper rubber to the 2 wiper rubber backing plates.

NOTICE:

Be sure to install the wiper rubber backing plates in the correct direction.



- (b) Install the wiper rubber so that the head part (longer side) of the wiper rubber faces the arm axle side.

NOTICE:

Push the front wiper blade into the grooves of the wiper rubber to engage them completely.

2. INSTALL FRONT WIPER BLADE