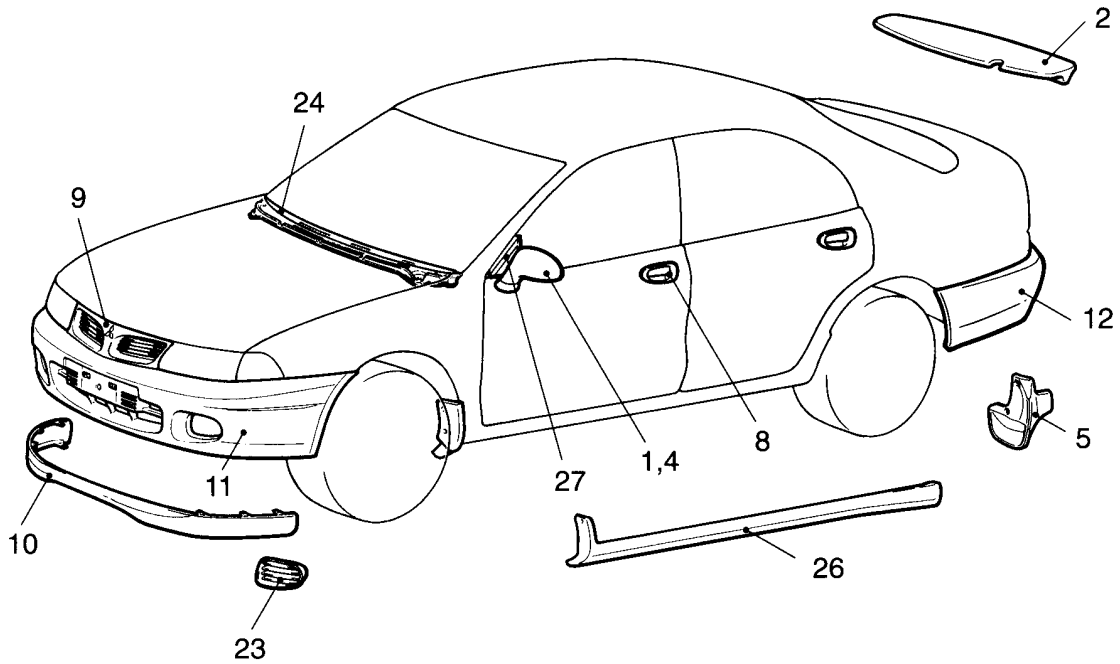


5 SYNTHETIC-RESIN PARTS

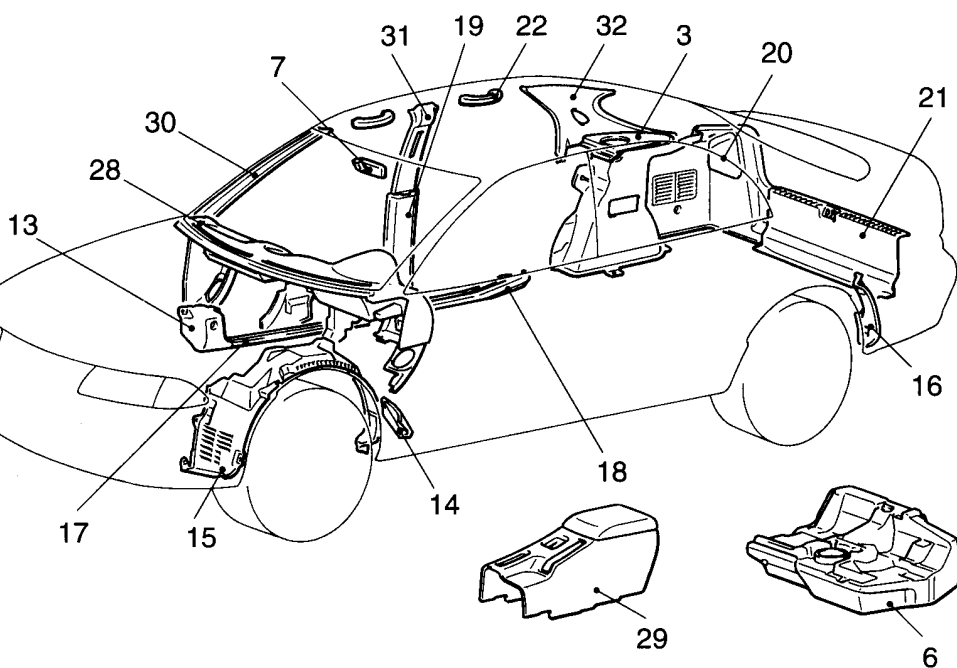
LOCATION OF SYNTHETIC-RESIN PARTS 5-2

LOCATION OF SYNTHETIC-RESIN PARTS

The location and material of each of the principal synthetic-resin parts are shown below:



30U0012



30U0019

No.	Part name	Name of resin	Abbreviation	Heat-withstand temp. [°C]
1	Door mirror (colour)	Acrylonitrile butadiene styrene	ABS	75 – 100
2	Rear spoiler			
3	Side shelf			
4	Door mirror (black)	Acrylonitrile styrene acrylate	ASA	85
5	Rear mud guard	Ethylen vinyl acetic acid	E/VAC (EVA)	40 – 80
6	Fuel tank	High-density polyethylene	PE-HD (HDPE)	70 – 90
7	Room mirror	Polyamide	PA	120
8	Door outside handle	Polycarbonate/ Polybutylene telephthalate	PC/PBT	100 – 120
9	Radiator grille	Polypropylene	PP	60 – 100
10	Air dam skirt panel			
11	Front bumper face			
12	Rear bumper face			
13	Cowl side trim			
14	Foot rest			
15	Splash shield, front			
16	Splash shield, rear			
17	Front scuff plate			
18	Rear scuff plate			
19	Center pillar trim, lower			
20	Rear side trim			
21	Rear end trim			
22	Assist grip			
23	Fog lamp cover	Talc filled polypropylene	PP-TD (PP-F)	100 – 110
24	Front deck garnish			
25	Stone guard			
26	Side air dam			
27	Delta cover			
28	Instrument pad			
29	Floor console			
30	Front pillar trim			
31	Center pillar trim, upper			
32	Rear pillar trim			

NOTES

- (1) The indicated heat-resistance temperature for parts which are composed of two or more types of material is the value for the material with the lowest heat-resistance temperature.
- (2) To correspond to the standardisation of material symbols by the ISO, old symbols in brackets () are listed alongside new symbols in cases where the two are different.
- (3) The material symbols for synthetic resin parts are embossed on the parts in hidden places.
- (4) A slash (/) in the material symbol indicates that two different materials make 2-layer construction. A plus sign (+) indicates that the two different materials mix each other.