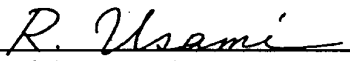




# SERVICE BULLETIN

QUALITY INFORMATION ANALYSIS  
OVERSEAS SERVICE DEPT. MITSUBISHI MOTORS CORPORATION

<b>SERVICE BULLETIN</b>		NO. : MSB-95E54-003	
DATE : 1996-02-15		<MODEL> (EC,EXP)CARISMA	<MY> 96-00
SUBJECT : CHANGE OF WIRING HARNESSSES			
GROUP : CHASSIS ELECTRICAL		DRAFTNO. : 95-CH-007	
INFORMATION	OVERSEAS SERVICE DEPT	 R. USAMI - MANAGER QUALITY INFORMATION ANALYSIS	

**1. Description:**

This Service Bulletin informs you of changes in the following wiring harnesses and circuits.

DRAFTNO.: 95-CH-007  
95-CH-008

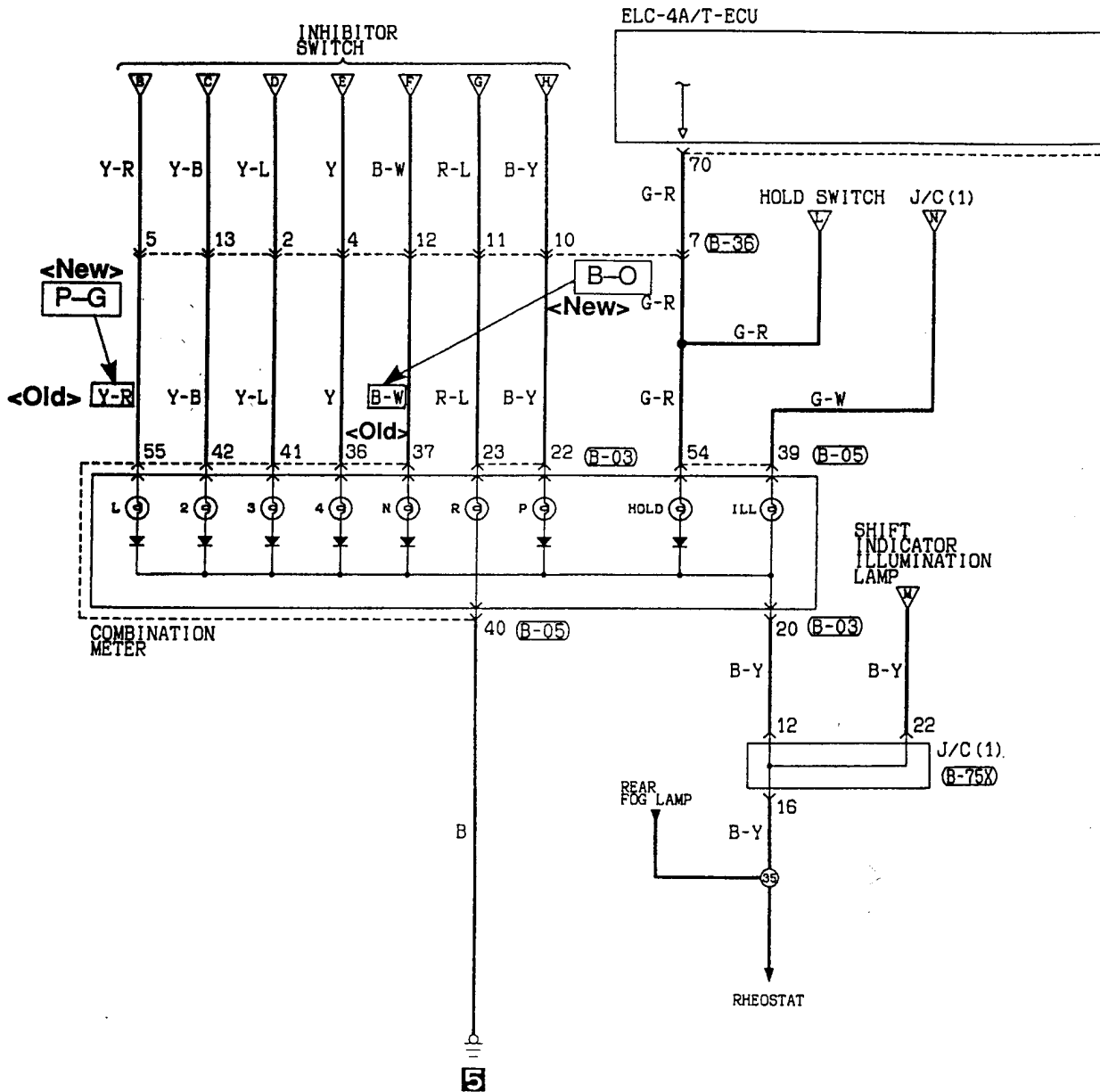
- (1) Change of wire colors
  - A/T
  - HEADLAMP LEVELING SYSTEM
  - FRONT FOG LAMP
  - REAR FOG LAMP
  - TURN-SIGNAL LAMP AND HAZARD WARNING LAMP
  - HORN
  - CENTRAL DOOR LOCKING SYSTEM
  - POWER WINDOWS
  - REAR WIPER AND WASHER
  - HEADLAMP WASHER
  - REMOTE CONTROLLED MIRROR
  - ANTI-LOCK BRAKING SYSTEM (ABS)
  - IMMOBILIZER SYSTEM
- (2) Change of wire diameters and colors
  - WINDSHIELD WIPER AND WASHER
- (3) Changes in circuits
  - A/C CONTROL PANEL AND ECU ASSEMBLY TERMINAL NO. 18
  - ABS-ECU TERMINAL NO. 14

3. Details:

4-66

CIRCUIT DIAGRAM

ELC 4-SPEED AUTOMATIC TRANSMISSION (CONTINUED)



(B-03)

1	2	3	4	5	6	7	8	9	10	11	12
						13					
14	15	16	17	18	19	20	21	22	23	24	25

(B-05)

3	13	23	33	43	53	63	73	83	93	40	41	42
										43		
44	45	46	47	48	49	50	51	52	53	54	55	

(B-36)

1	2	3	4	5	6	7	8
9	10	11	12	13	14		

(B-75X)

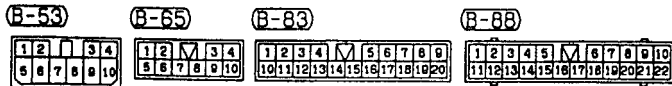
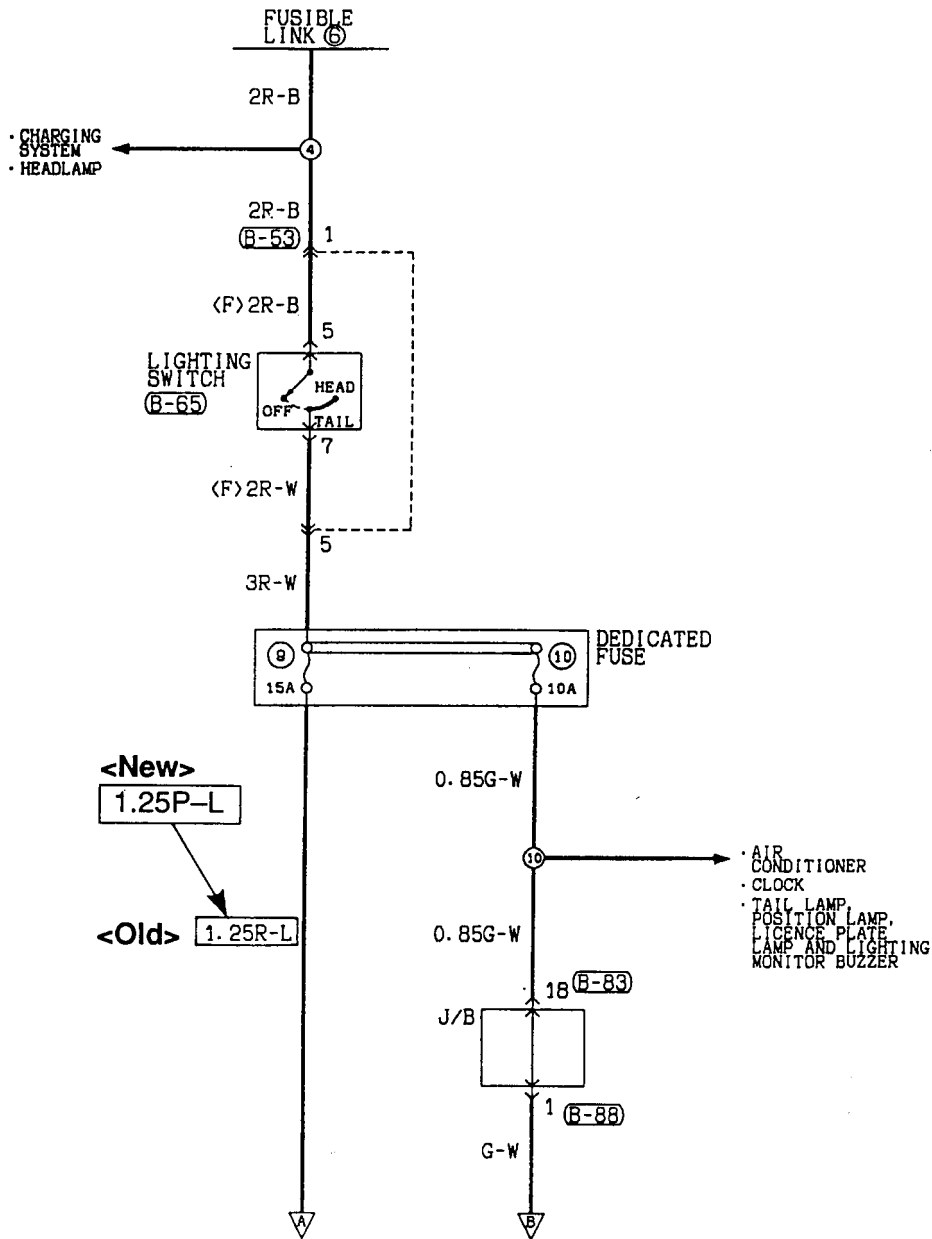
1	2	3	4	5	6	7	8	9	10	11
12	13	14	15	16	17	18	19	20	21	22
23	24	25	26	27	28	29	30	31	32	33

HT07E00EA

FRONT FOG LAMP

90101190044

Vehicles without daytime running lamp

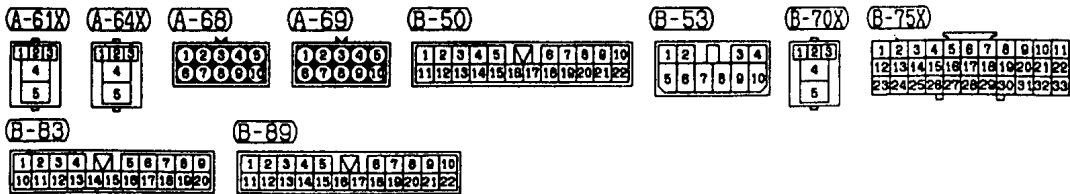
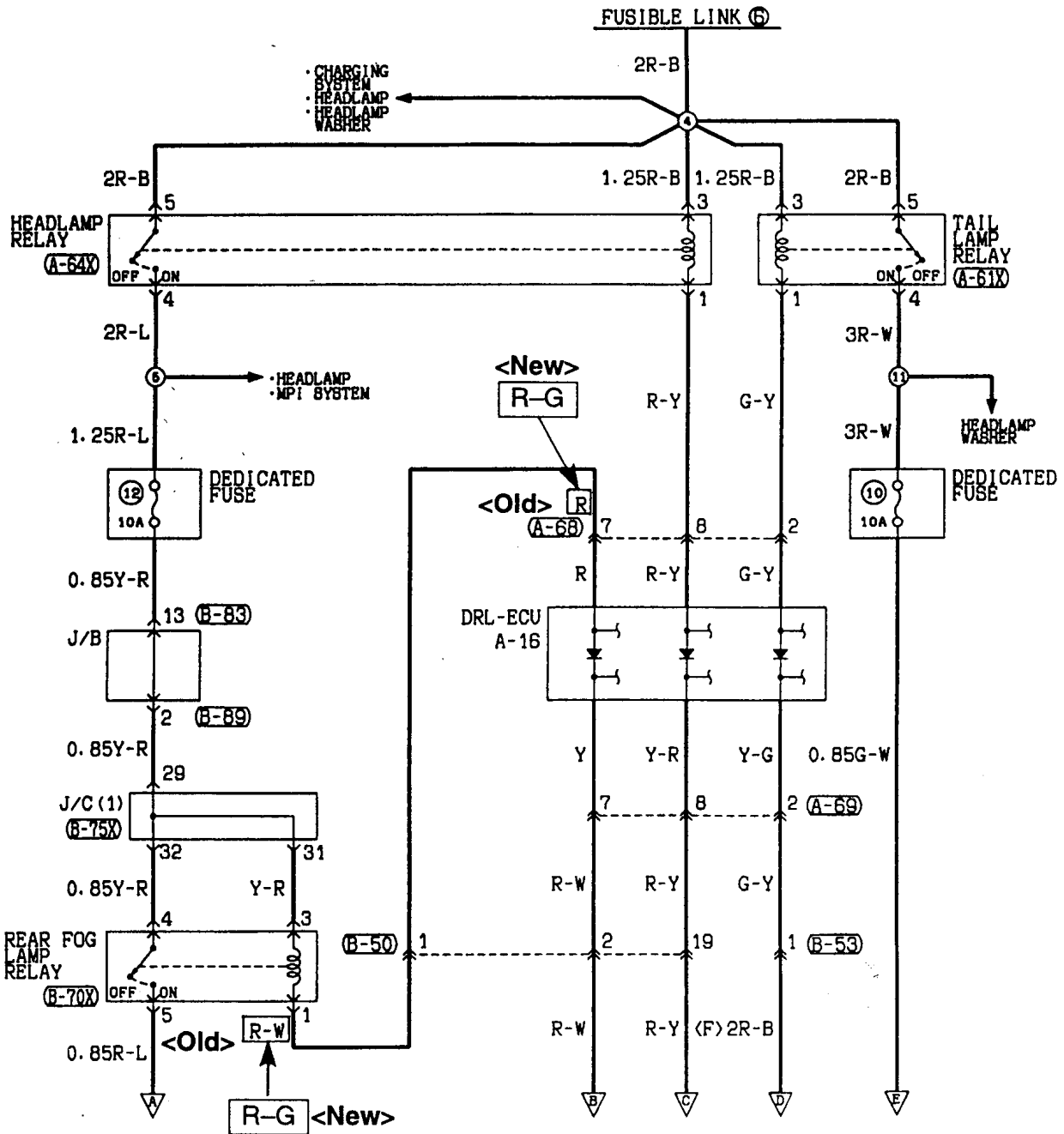


HT08E05AA

REAR FOG LAMP

90101200051

Vehicles with daytime running lamp

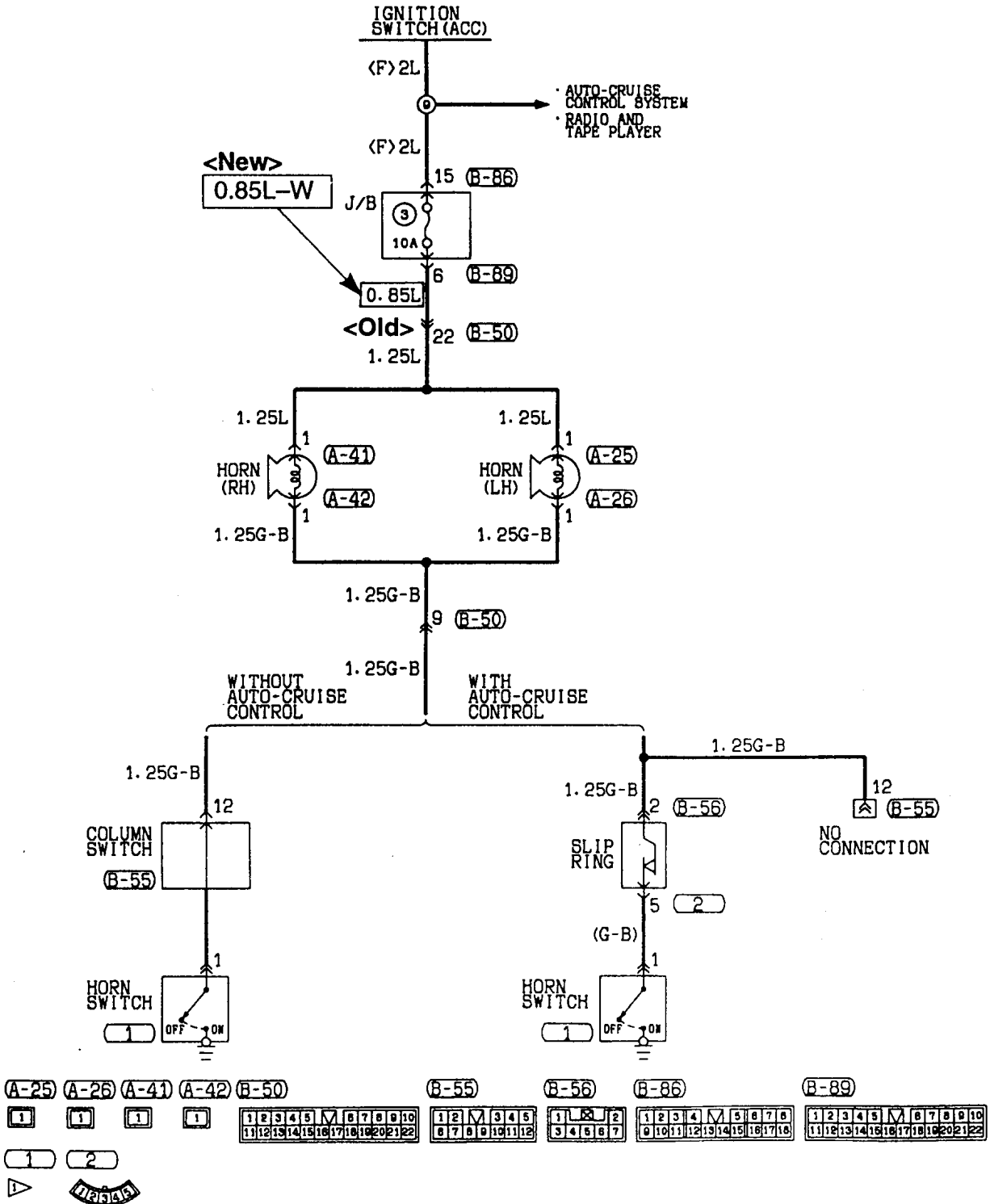


HT0BE08AA

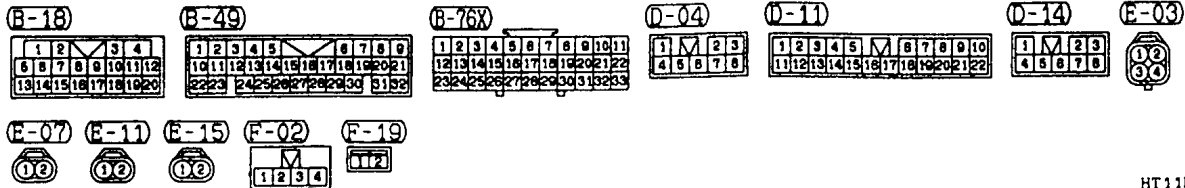
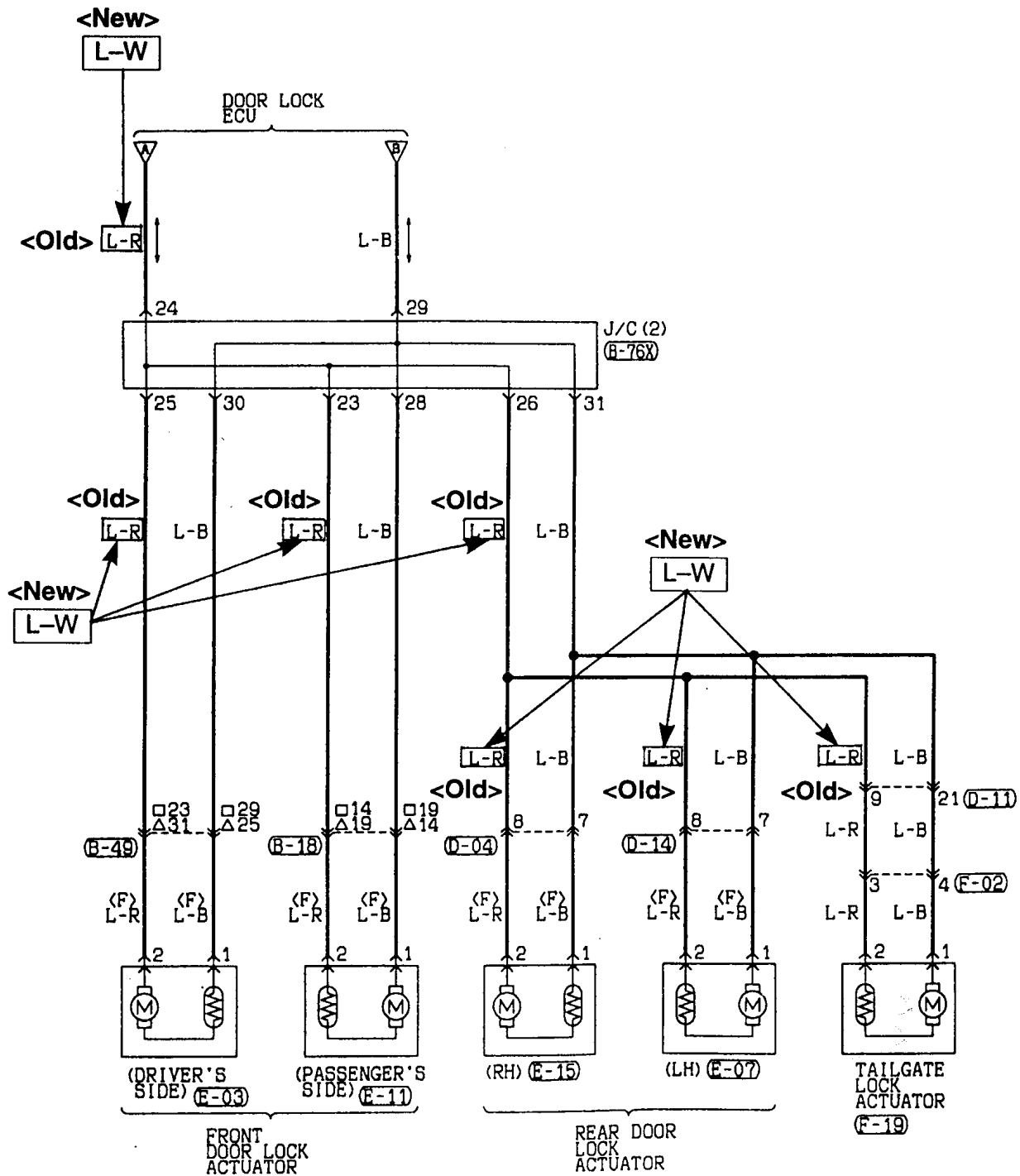
**HORN**

90100330041

Vehicles without SRS



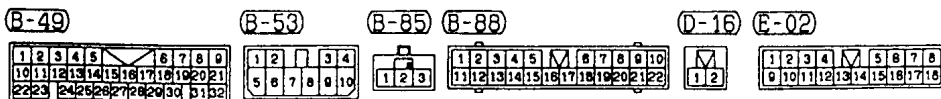
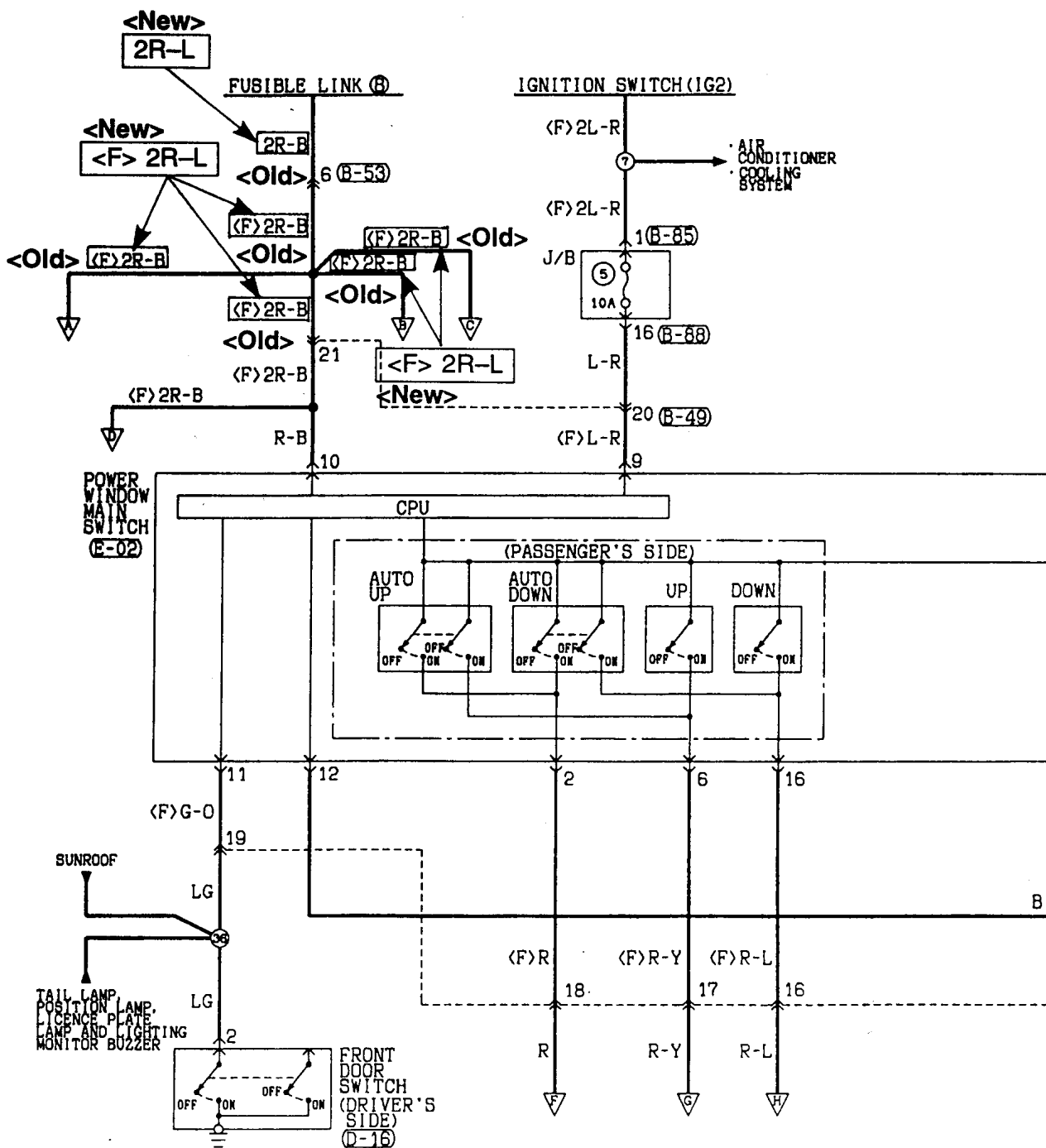
HT09E03AA



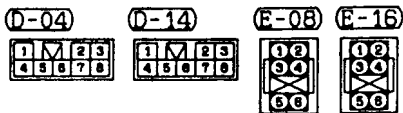
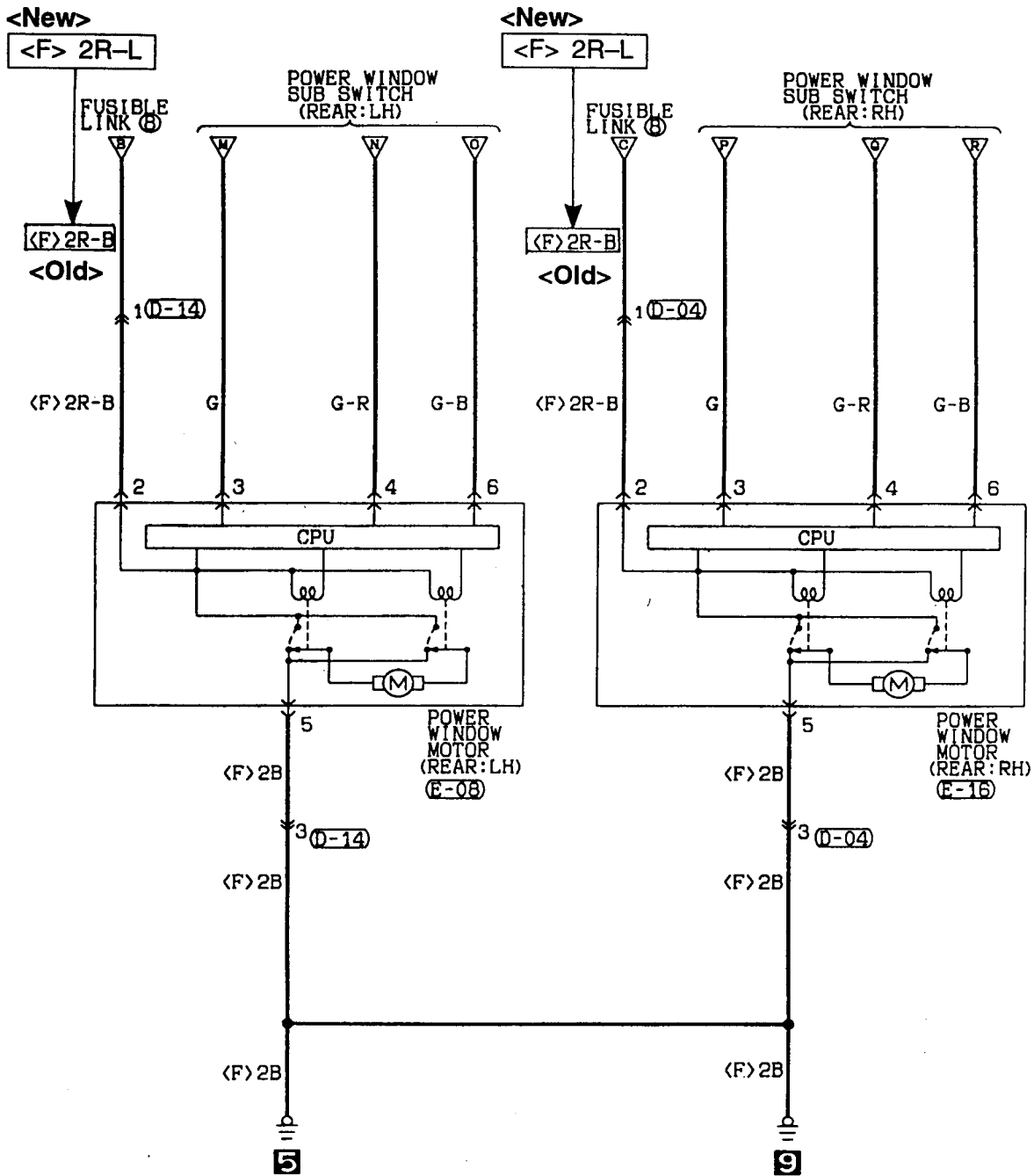
HT11E00AB

POWER WINDOWS

90100460047



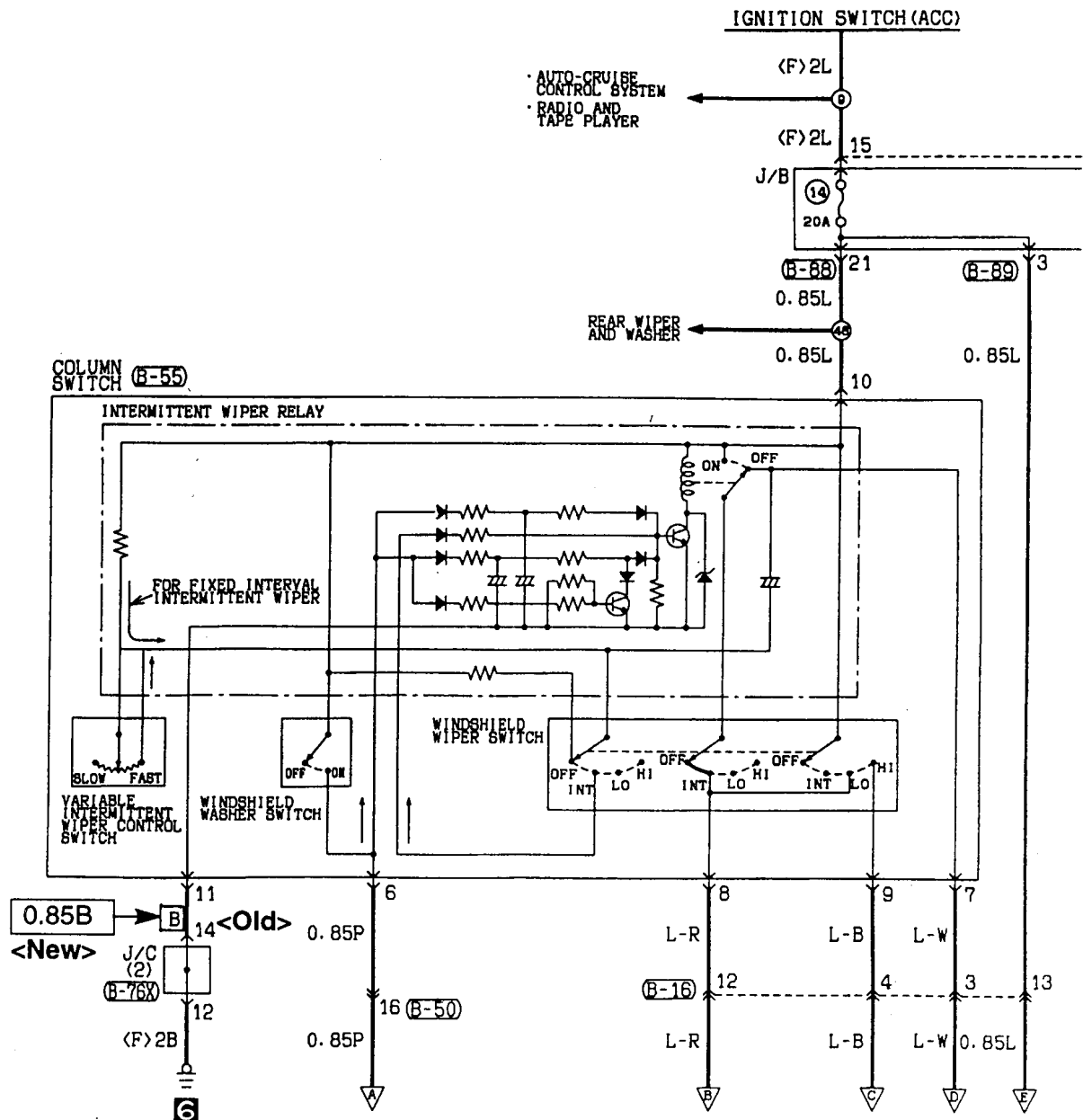
HT11E02AA





WINDSHIELD WIPER AND WASHER

90100610048



(B-16)

1	2	3	4	5	6	7	8
9	10	11	12	13	14	15	16

(B-50)

1	2	3	4	5	6	7	8	9	10
11	12	13	14	15	16	17	18	19	20
21	22								

(B-55)

1	2	3	4	5
6	7	8	9	10
11	12			

(B-76X)

1	2	3	4	5	6	7	8	9	10	11
12	13	14	15	16	17	18	19	20	21	22
23	24	25	26	27	28	29	30	31	32	33

(B-88)

1	2	3	4	5	6	7	8	9	10
11	12	13	14	15	16	17	18	19	20
21	22								

(B-89)

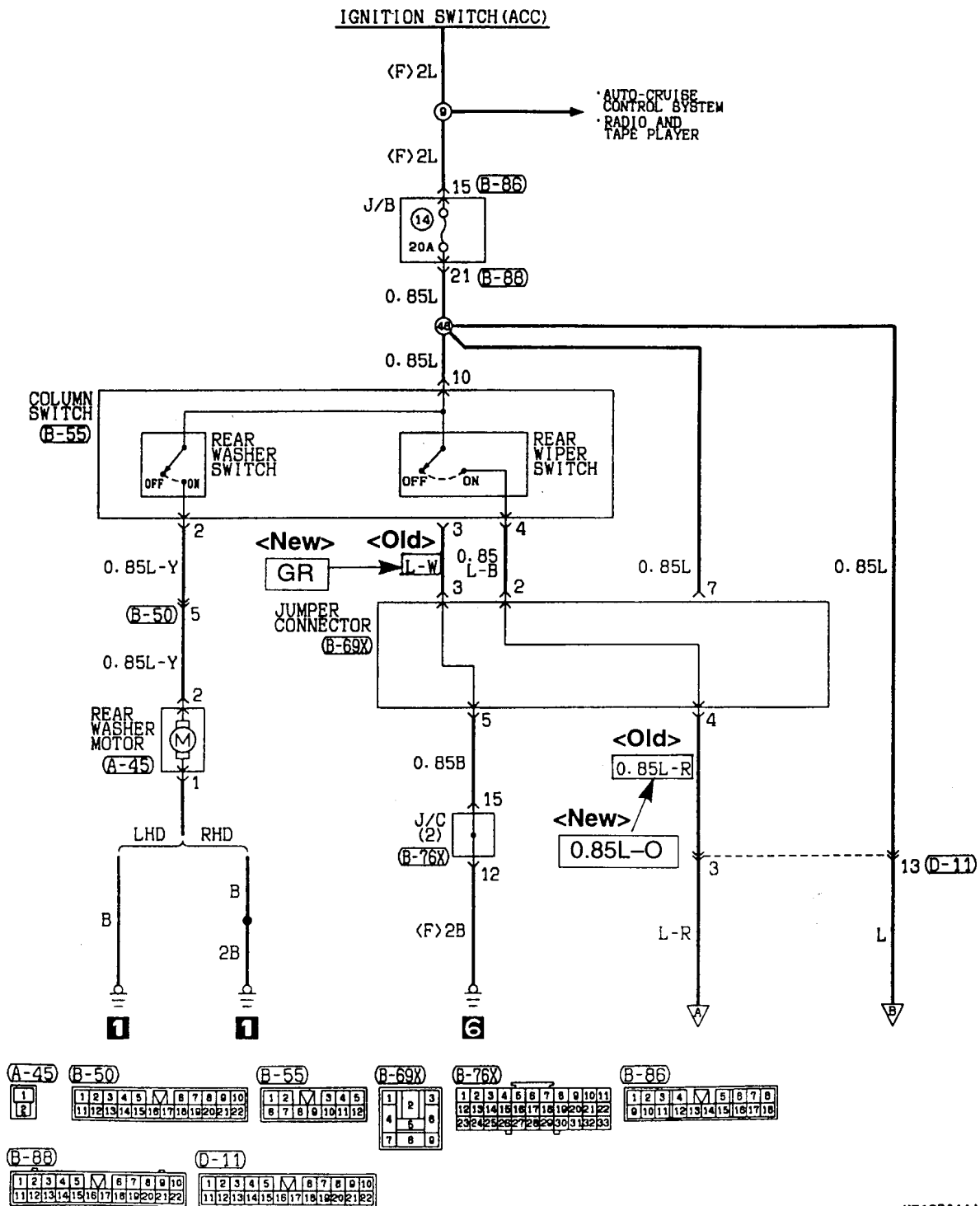
1	2	3	4	5	6	7	8	9	10
11	12	13	14	15	16	17	18	19	20
21	22								

HT13E00AA

REAR WIPER AND WASHER

90100820070

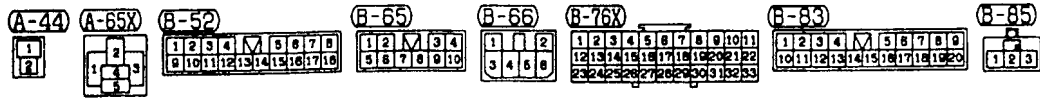
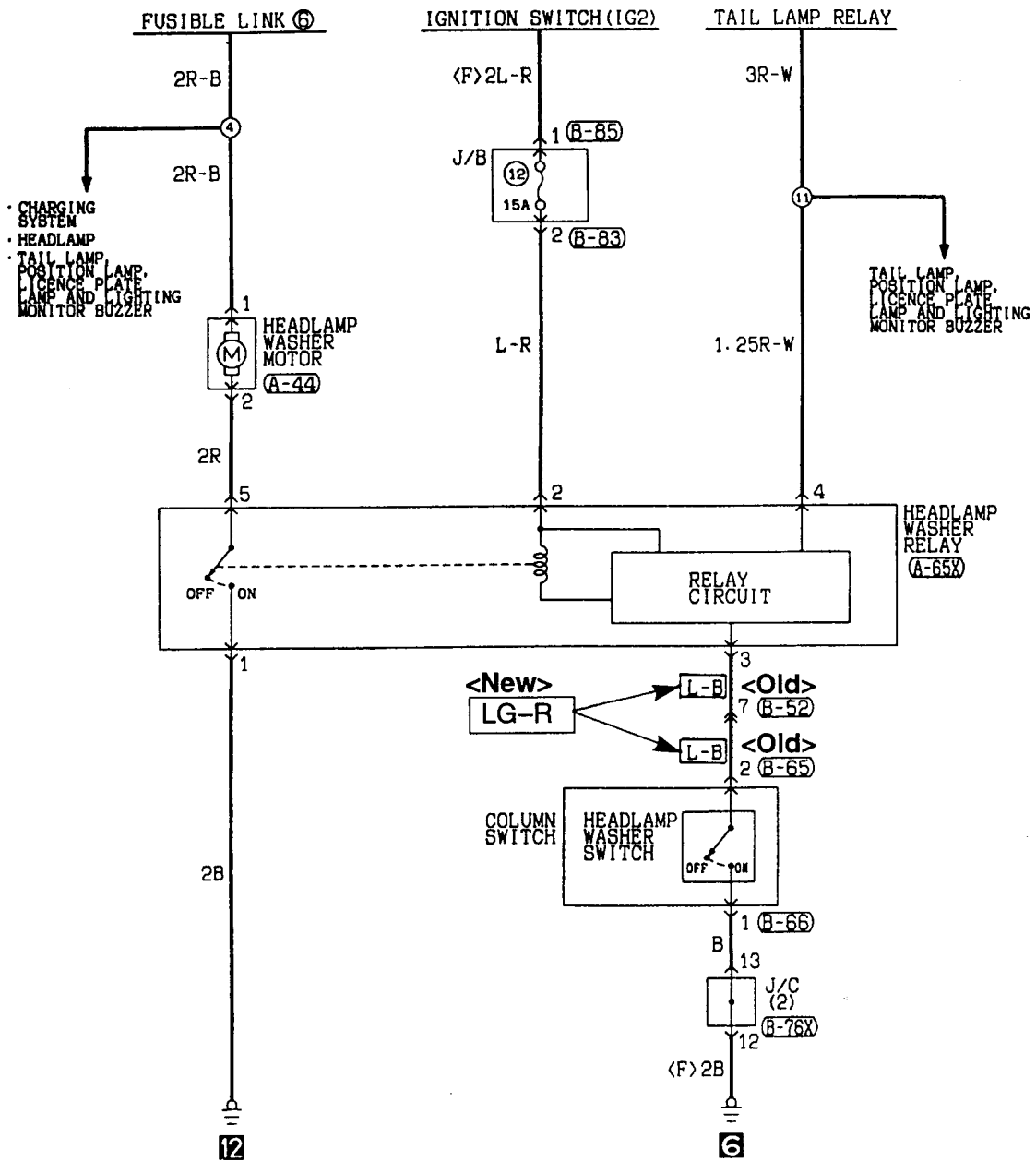
Vehicles without intermittent wiper



HT13E01AA

HEADLAMP WASHER

90100830042



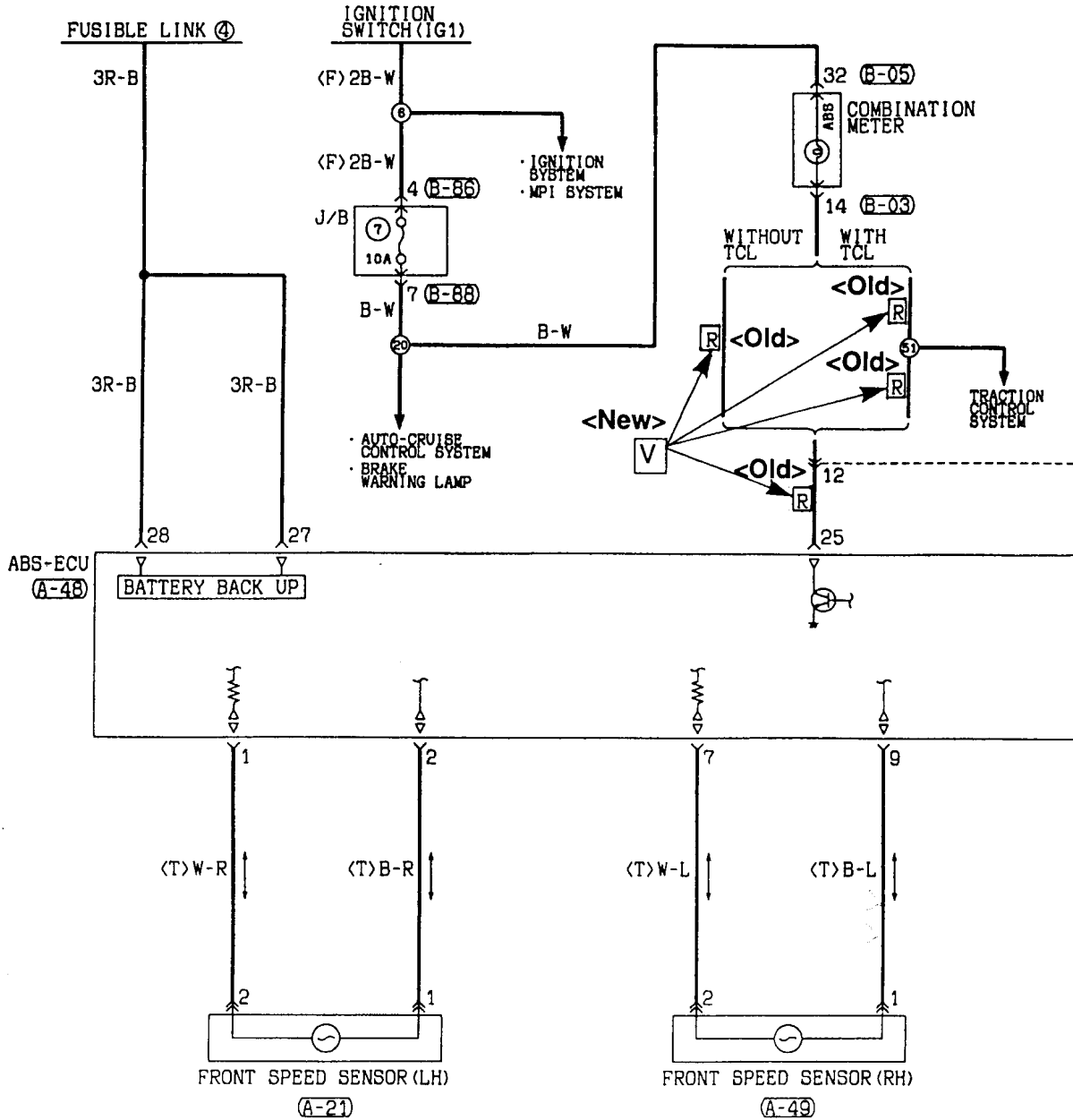
HT13E03AA

- For English Page 4-168
- For Spanish, French, German, Dutch and Swedish Page 4-166

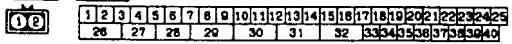
**4-168** **CIRCUIT DIAGRAM**

**ANTI-LOCK BRAKING SYSTEM (ABS)**

90100840117



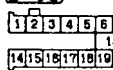
A-21 A-48



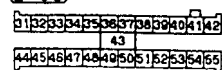
A-49



B-03



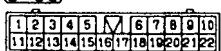
B-05



B-86



B-88

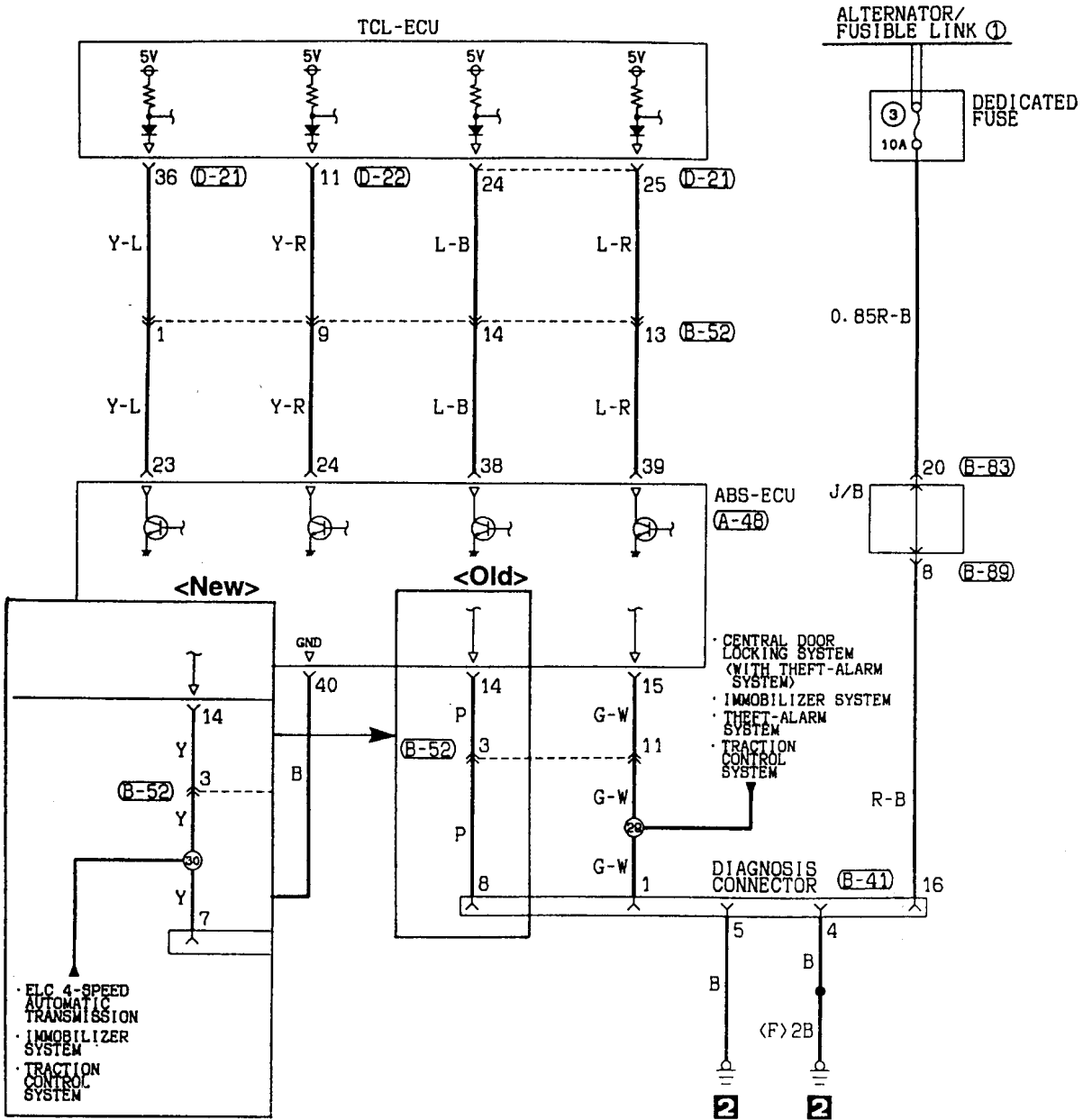


HT15E02AA

- For English Page 4-170
- For Spanish, French, German, Dutch and Swedish Page 4-168

### 4-170 CIRCUIT DIAGRAM

#### ANTI-LOCK BRAKING SYSTEM (ABS) (CONTINUED)



(A-48)

1	2	3	4	5	6	7	8	9	10	11	12	13	14	15	16	17	18	19	20	21	22	23	24	25	
26	27	28	29	30	31	32	33	34	35	36	37	38	39	40											

(B-41) FRONT SIDE

1	2	3	4	5	6	7	8
9	10	11	12	13	14	15	16

(B-52)

1	2	3	4	5	6	7	8
9	10	11	12	13	14	15	16

(B-83)

1	2	3	4	5	6	7	8
9	10	11	12	13	14	15	16

(B-89)

1	2	3	4	5	6	7	8	9	10
11	12	13	14	15	16	17	18	19	20

(D-21)

1	2	3	4	5	6	7	8	9	10	11	12	13	14	15	16	17	18	19	20	21	22	23	24	25	26	27	28	29	30	31	32	33	34	35	36	37	38	39	40	41	42
---	---	---	---	---	---	---	---	---	----	----	----	----	----	----	----	----	----	----	----	----	----	----	----	----	----	----	----	----	----	----	----	----	----	----	----	----	----	----	----	----	----

(D-22)

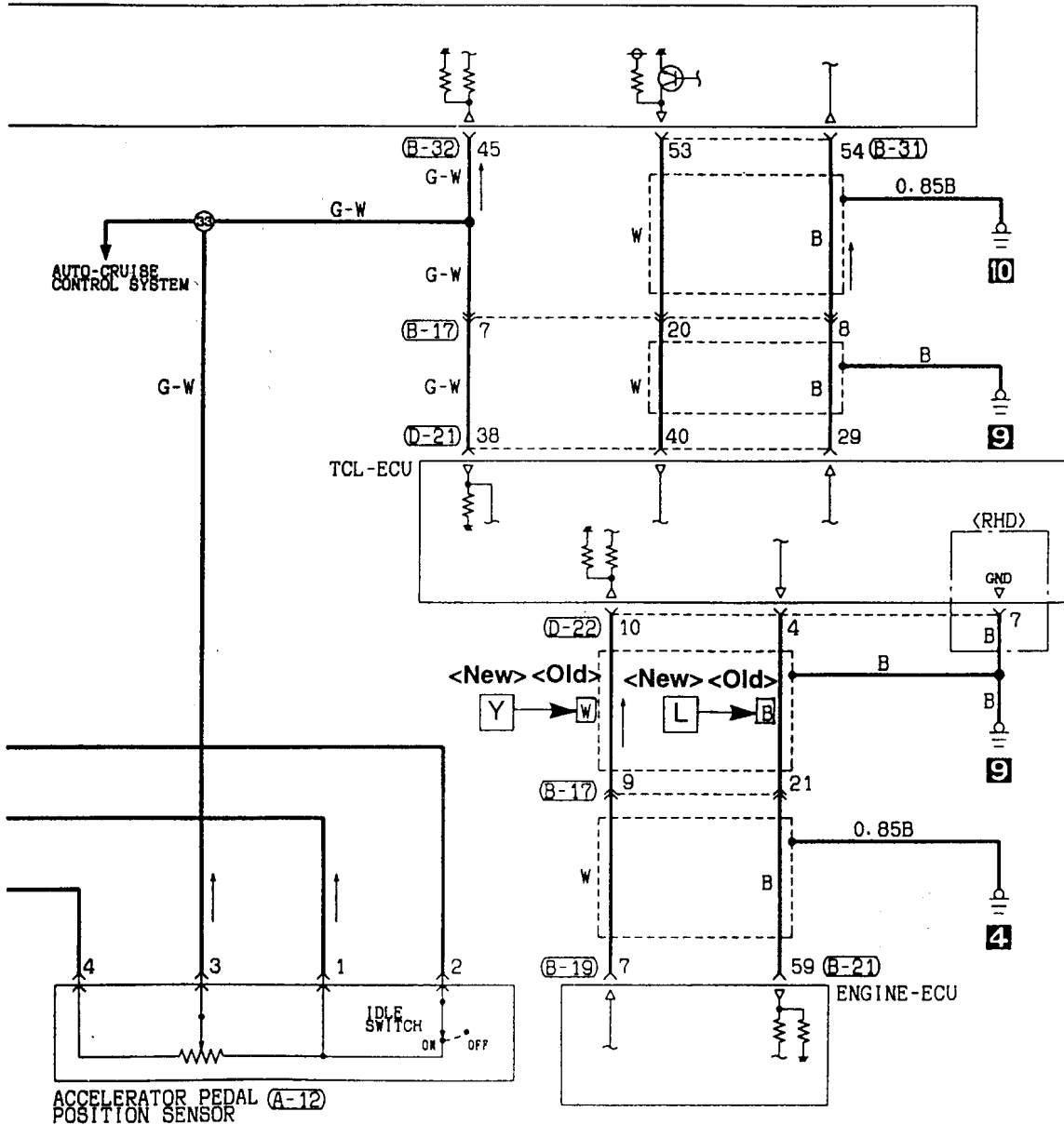
1	2	3	4	5	6
7	8	9	10	11	12

HT15E02BA

- For English Page 4-175
- For Spanish, French, German, Dutch and Swedish Page 4-173

CIRCUIT DIAGRAM

4-175



(A-12)	(B-17)	(B-19)	(B-21)	(B-31)	(B-32)
1 2 3 4 5 6 7 8 9 10 11 12 13 14 15 16 17 18 19 20 21 22	1 2 3 4 5 6 7 8 9 10 11 12 13 14 15 16 17 18 19 20 21 22	1 2 3 4 5 6 7 8 9 10 11 12 13 14 15 16 17 18 19 20 21 22 23 24 25 26	5 15 25 35 45 55 65 75 85 95 105 115 125 135 145 155 165	5 15 25 35 45 55 65 75 85 95 105 115 125 135 145 155 165	3 13 23 33 43 53 63 73 83 93 103 113 123 133 143 153 163
(D-21)	(D-22)				
2 1 22 23 24 25 26 27 28 29 30 31 32 33 34 35 36 37 38 39 40 41 42	1 2 3 4 5 6 7 8 9 10 11 12				

HT 15E03BB