

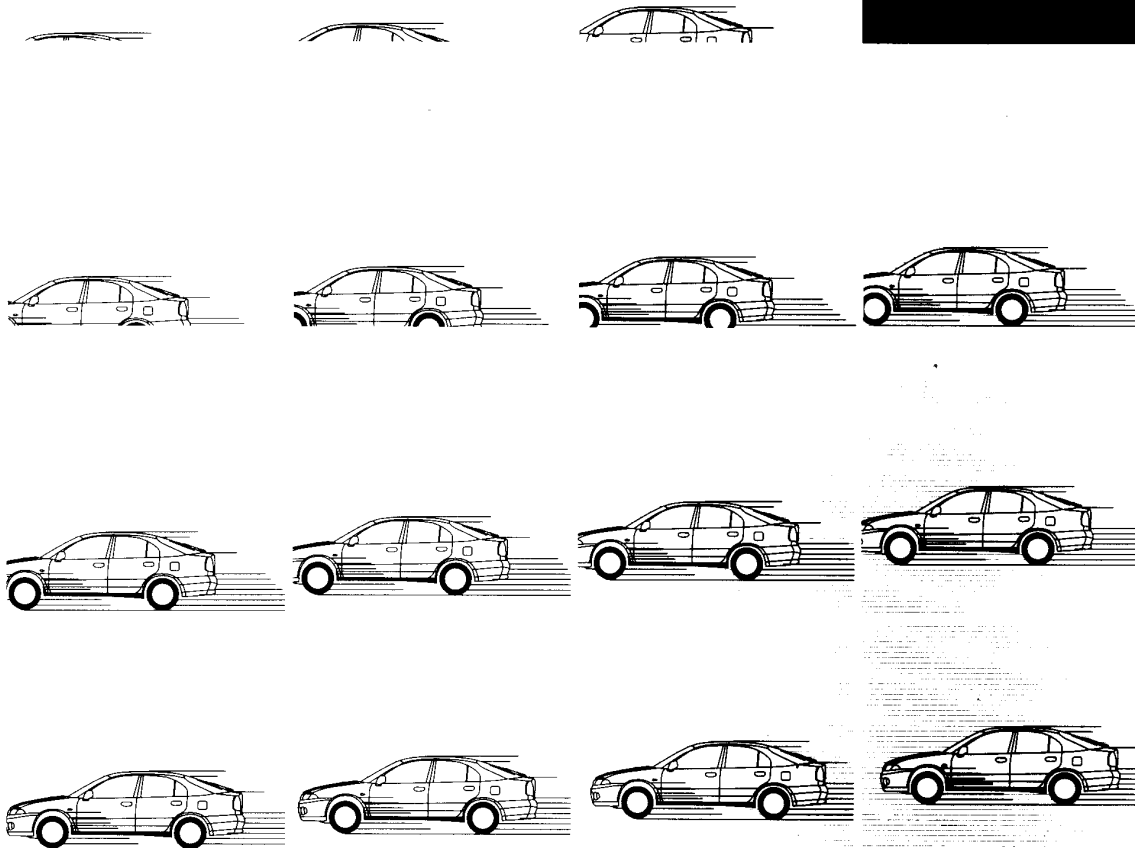
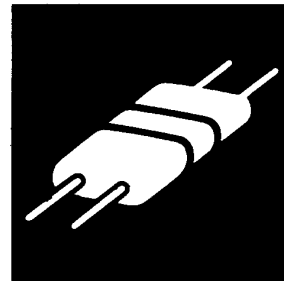


Workshop Manual

electrical wiring

SUPPLEMENT

CARISMA '98 GDI



Pub. No. PHDE9501-C

CARISMA

ELECTRICAL WIRING SUPPLEMENT

FOREWORD

This publication is a supplement to the Electrical Wiring Manual Pub. PHDE9501-A, PHDE9501-B and contains only additions and changes to the original issue. It is recommended that all service mechanics engaged in the servicing of the vehicle refer to the following publications as well as this manual.

TECHNICAL INFORMATION MANUAL

PYGE95E1
PYGE95E1-A (Supplement)
PYGE95E1-B (Supplement)

WORKSHOP MANUAL

CHASSIS GROUP

PWDE9502
PWDE9502-A (Supplement)
PWDE9502-B (Supplement)
PWDE9502-C (Supplement)

ELECTRICAL WIRING

PHDE9501-A
PHDE9501-B (Supplement)

BODY REPAIR MANUAL

PBGE95E1
PBGE95E1-A (Supplement)

ENGINE GROUP

PWEE□□□□
(Looseleaf edition)

PARTS CATALOGUE

N606C006D□

All information, illustrations and product descriptions contained in this manual are current as at the time of publication. We however, reserve the right to make changes at any time without prior notice or obligation.

 **mitsubishi MOTOR SALES**
Europe B.V.

GROUP INDEX

OUTLINE OF CHANGES

HOW TO READ THE WIRING
DIAGRAMS

WIRING HARNESS
CONFIGURATION DIAGRAMS ...

SINGLE PART INSTALLATION
POSITION

CIRCUIT DIAGRAM

1

2

3

4

HOW TO USE THIS MANUAL

CONTENTS

The preceding page contains GROUP INDEX that lists the group title and group number.

PAGE NUMBERS

All page numbers consist of two sets of digits separated by a dash. The digits preceding the dash identify the number of the group. The digits following the dash represent the consecutive page number within the group. The page number can be found on the top left or right of each page.

OPERATION AND TROUBLESHOOTING HINTS

In the GROUP 4 circuit diagrams, the operation and troubleshooting hints are given on the previous page or following page for each circuit where necessary.

OUTLINE OF CHANGES

CONTENTS

WIRING HARNESS CONFIGURATION DIAGRAMS	2	CIRCUIT DIAGRAM	3
SINGLE PART INSTALLATION POSITION ...	2	TABLE OF CIRCUIT DIAGRAMS	4

WIRING HARNESS CONFIGURATION DIAGRAMS

Wiring harness configuration diagrams			Description of changes
Connector symbol	Name	Reference page	
A	ENGINE COMPARTMENT	GDI <L.H. drive vehicles>	2-2
		GDI <R.H. drive vehicles>	2-6
			<ul style="list-style-type: none"> Wiring harness configuration diagrams for the GDI engine have been added to correspond to the addition of vehicles with GDI engine.

SINGLE PART INSTALLATION POSITION

Location of changes	Reference page	Description of changes
RELAY	3-2	<ul style="list-style-type: none"> An injector driver control relay mounting position has been added to correspond to the addition of vehicles with GDI engine.
ECU	3-2	<ul style="list-style-type: none"> An injector driver mounting position has been added to correspond to the addition of vehicles with GDI engine.
SENSOR	3-3	<ul style="list-style-type: none"> Mounting positions for the following sensors have been added to correspond to the addition of vehicles with GDI engine. <ul style="list-style-type: none"> Brake pressure sensor Camshaft position sensor Engine coolant temperature sensor Fuel pressure sensor M/T oil temperature sensor Throttle position sensor
SOLENOID VALVE	3-4	<ul style="list-style-type: none"> Mounting positions for the following solenoid valves have been added to correspond to the addition of vehicles with GDI engine. <ul style="list-style-type: none"> Air bypass duty solenoid valve Air bypass on/off solenoid valve Purge control solenoid valve
EARTH	3-5	<ul style="list-style-type: none"> No. 15 earth mounting position has been added to correspond to the addition of vehicles with GDI engine.

CIRCUIT DIAGRAM

Circuit diagrams			Description of changes
Main title	Subtitle	Reference page	
STARTING SYSTEM	Petrol-powered vehicles <GDI>	4-2	<ul style="list-style-type: none"> • Dedicated GDI engine circuits have been added to correspond to the addition of vehicles with GDI engine.
IGNITION SYSTEM	GDI	4-3	<ul style="list-style-type: none"> • Dedicated GDI engine circuits have been added to correspond to the addition of vehicles with GDI engine.
CHARGING SYSTEM	Petrol-powered vehicles <GDI>	4-4	<ul style="list-style-type: none"> • Dedicated GDI engine circuits have been added to correspond to the addition of vehicles with GDI engine.
MPI SYSTEM	GDI	4-6	<ul style="list-style-type: none"> • Dedicated GDI engine circuits have been added to correspond to the addition of vehicles with GDI engine.
ELC 4-SPEED AUTOMATIC TRANSMISSION	GDI	4-16	<ul style="list-style-type: none"> • Dedicated GDI engine circuits have been added to correspond to the addition of vehicles with GDI engine.
OIL PRESSURE WARNING LAMP	–	4-25	<ul style="list-style-type: none"> • Specifications for the GDI engine have been added to correspond to the addition of vehicles with GDI engine.
MANUAL AIR CONDITIONER	Petrol-powered vehicles <GDI>	4-26	<ul style="list-style-type: none"> • Dedicated GDI engine circuits have been added to correspond to the addition of vehicles with GDI engine.
FULL-AUTO AIR CONDITIONER AND AIR PURIFIER	Petrol-powered vehicles <GDI>	4-32	<ul style="list-style-type: none"> • Dedicated GDI engine circuits have been added to correspond to the addition of vehicles with GDI engine.

TABLE OF CIRCUIT DIAGRAMS

This table of circuit diagrams indicates those circuits in which changes and/or additions, etc. have been made; the circuits are here listed in the sequence in which they are presented in the wiring diagrams. Please use this table for reference when following maintenance or repair procedures.

NOTE

- (1) A (Added) : This circuit has been newly added in this manual.
 (2) R (Revised) : This circuit has been changed, and is included in this manual.
 (3) D (Deleted) : This circuit has been deleted in this manual.
 (4) I (Included) : This circuit is included in this manual.
 (5) N (Not included) : This circuit is not included in this manual.
 (6) P (Previous manual) : This circuit is not included in this manual, because it has not been changed.
 Refer to this previous manuals.

Main circuit	Circuit classification	Pub. No. PHDE9501 '96 model (Basic)	Pub. No. PHDE9501-A (Supplement)	Pub. No. PHDE9501-B (Supplement)	Pub. No. PHDE9501-C (Supplement)
JUNCTION BLOCK (J/B)	–	I	P	P	P
JOINT CONNECTOR (J/C)	–	I	P	P	P
CENTRALIZED JUNCTION	–	I	R	R	P
POWER DISTRIBUTION SYSTEM	Vehicles without daytime running lamp	I	R	R	P
	Vehicles with daytime running lamp	I	R	R	P
STARTING SYSTEM	Petrol-powered vehicles	I	P	P	P
	Petrol-powered vehicles <GDI>	N	N	N	A
	Diesel-powered vehicles	N	A	P	P
IGNITION SYSTEM	MPI-SOHC	I	R	P	P
	MPI-SOHC-A/T	N	N	A	P
	MPI-DOHC	I	R	D	D
	GDI	N	N	N	A
CHARGING SYSTEM	Petrol-powered vehicles	I	P	P	P
	Petrol-powered vehicles <GDI>	N	N	N	A
	Diesel-powered vehicles	N	A	R	P
GLOW SYSTEM	–	N	A	R	P
MPI SYSTEM	MPI-SOHC <Vehicles without TCL>	I	R	D	D
	MPI-SOHC-M/T <Vehicles without TCL>	N	N	A	P
	MPI-SOHC-A/T <Vehicles without TCL>	N	N	A	P
	MPI-SOHC <Vehicles with TCL>	I	R	D	D
	MPI-SOHC-M/T <Vehicles with TCL>	N	N	A	P
	MPI-SOHC-A/T <Vehicles with TCL>	N	N	A	P
	MPI-DOHC	I	R	D	D
	GDI	N	N	N	A
COOLING SYSTEM	Petrol-powered vehicles	I	R	P	P
	Diesel-powered vehicles	N	A	P	P

OUTLINE OF CHANGES – Table of Circuit Diagrams

Main circuit	Circuit classification	Pub. No. PHDE9501 '96 model (Basic)	Pub. No. PHDE9501-A (Supplement)	Pub. No. PHDE9501-B (Supplement)	Pub. No. PHDE9501-C (Supplement)
ELC-4 SPEED AUTOMATIC TRANSMISSION	–	I	R	R	P
	GDI	N	N	N	A
HEADLAMP	Vehicles without daytime running lamp	I	R	R	P
	Vehicles with daytime running lamp	I	R	R	P
HEADLAMP LEVELING SYSTEM	–	I	P	P	P
TAIL LAMP, POSITION LAMP, LICENCE PLATE LAMP AND LIGHTING MONITOR BUZZER	Vehicles without daytime running lamp	I	R	P	P
	Vehicles with daytime running lamp	I	R	P	P
FRONT FOG LAMP	Vehicles without daytime running lamp	I	R	R	P
	Vehicles with daytime running lamp	I	R	R	P
REAR FOG LAMP	Vehicles without daytime running lamp <Hatchback>	I	P	D	D
	Vehicles without daytime running lamp <Sedan>	N	A	D	D
	Vehicles without daytime running lamp	N	N	A	P
	Vehicles with daytime running lamp <Hatchback>	I	P	D	D
	Vehicles with daytime running lamp <Sedan>	N	A	D	D
	Vehicles with daytime running lamp	N	N	A	P
ROOM LAMP, MAP LAMP AND LUGGAGE COMPARTMENT LAMP	Hatchback	I	P	R	P
	Sedan	N	A	R	P
TURN-SIGNAL LAMP AND HAZARD WARNING LAMP	Hatchback	I	P	D	D
	Sedan	N	A	D	D
	–	N	N	A	P
STOP LAMP	Hatchback	I	P	P	P
	Sedan	N	A	P	P
BACK-UP LAMP	–	I	R	R	P
HORN	Vehicles without SRS	I	P	P	P
	Vehicles with SRS	I	P	P	P
METER AND GAUGE	Petrol-powered vehicles	I	R	R	P
	Diesel-powered vehicles	N	A	R	P
ODOMETER AND TRIP METER	–	N	N	A	P
OIL PRESSURE WARNING LAMP	Petrol-powered vehicles	I	P	D	D
	Diesel-powered vehicles	N	A	D	D
	–	N	N	A	R
FUEL WARNING LAMP	Petrol-powered vehicles	I	P	D	D
	Diesel-powered vehicles	N	A	D	D
	–	N	N	A	P

Main circuit	Circuit classification	Pub. No. PHDE9501 '96 model (Basic)	Pub. No. PHDE9501-A (Supplement)	Pub. No. PHDE9501-B (Supplement)	Pub. No. PHDE9501-C (Supplement)
BRAKE WARNING LAMP	Petrol-powered vehicles	I	P	D	D
	Diesel-powered vehicles	N	A	D	D
	–	N	N	A	P
OVER HEATING WARNING LAMP	Diesel-powered vehicles	N	A	R	P
CENTRAL DOOR LOCKING SYSTEM	Vehicles without theft-alarm system <Hatchback>	I	P	D	D
	Vehicles without theft-alarm system <Sedan>	N	A	D	D
	Vehicles with theft-alarm system <Hatchback>	I	R	D	D
	Vehicles with theft-alarm system <Sedan>	N	A	D	D
	Vehicles without keyless entry system <Hatchback>	N	N	A	P
	Vehicles without keyless entry system <Sedan>	N	N	A	P
	Vehicles with keyless entry system <Hatchback>	N	N	A	P
	Vehicles with keyless entry system <Sedan>	N	N	A	P
POWER WINDOWS	–	I	P	P	P
HEATER	–	I	P	P	P
MANUAL AIR CONDITIONER	Petrol-powered vehicles	I	P	R	P
	Petrol-powered vehicles <GDI>	N	N	N	A
	Diesel-powered vehicles	N	A	P	P
FULL-AUTO AIR CONDITIONER AND AIR PURIFIER	Petrol-powered vehicles	I	P	R	P
	Petrol-powered vehicles <GDI>	N	N	N	A
	Diesel-powered vehicles	N	A	P	P
WINDSHIELD WIPER AND WASHER	–	I	P	R	P
REAR WIPER AND WASHER	Vehicles without intermittent wiper	I	P	P	P
	Vehicles with intermittent wiper	I	P	P	P
HEADLAMP WASHER	–	I	R	P	P
DEFOGGER AND DOOR MIRROR HEATER	L.H. drive vehicles <Hatchback>	I	P	D	D
	L.H. drive vehicles <Sedan>	N	A	D	D
	R.H. drive vehicles <Hatchback>	I	P	D	D
	R.H. drive vehicles <Sedan>	N	A	D	D
	Vehicles without defogger timer	N	N	A	P
	Vehicles with defogger timer	N	N	A	P
REMOTE CONTROLLED MIRROR	–	I	P	P	P
CLOCK	L.H. drive vehicles	I	P	P	P
	R.H. drive vehicles	I	P	P	P

OUTLINE OF CHANGES – Table of Circuit Diagrams

7

Main circuit	Circuit classification	Pub. No. PHDE9501 '96 model (Basic)	Pub. No. PHDE9501-A (Supplement)	Pub. No. PHDE9501-B (Supplement)	Pub. No. PHDE9501-C (Supplement)
CIGARETTE LIGHTER	–	I	P	P	P
RADIO AND TAPE PLAYER (VEHICLE HARNESS WITHOUT RADIO AND TAPE PLAYER COMPONENT)	–	I	R	P	P
RADIO AND TAPE PLAYER	–	I	R	P	P
SUNROOF	–	I	P	P	P
HEATED SEAT	–	I	P	P	P
ANTI-LOCK BRAKING SYSTEM (ABS)	–	I	P	R	P
TRACTION CONTROL SYSTEM (TCL)	–	I	R	D	D
	M/T	N	N	A	P
	A/T	N	N	A	P
AUTO-CRUISE CONTROL SYSTEM	–	I	P	R	P
SUPPLEMENTAL RESTRAINT SYSTEM (SRS)	–	I	P	D	D
	Vehicles without side air bag	N	N	A	P
	Vehicles with side air bag	N	N	A	P
THEFT-ALARM SYSTEM	Hatchback	I	R	D	D
	Sedan	N	A	D	D
IMMOBILIZER SYSTEM	Petrol-powered vehicles	I	P	R	P
	Diesel-powered vehicles	N	A	R	P
RHEOSTAT	–	I	P	P	P
FUEL LINE HEATER	–	N	A	P	P

HOW TO READ THE WIRING DIAGRAMS

CONTENTS

MODELS 1-2 ABBREVIATION SYMBOLS 1-2



1-2 HOW TO READ THE WIRING DIAGRAMS – Models/Abbreviation Symbols

MODELS

<HATCHBACK>

Model code		Engine model	Transmission model	Fuel supply system
DA2A	LNPCL6/R6	4G93-DOHC-GDI (1,834 ml)	F5M42 (2WD-5M/T)	GDI
	LNJCL6/R6			
	LNDCL6/R6			
	LRPCL6/R6		F4A42 (2WD-4A/T)	
	LRJCL6/R6			
	LRDCL6/R6			

<SEDAN>

Model code		Engine model	Transmission model	Fuel supply system
DA2A	SNPCL6/R6	4G93-DOHC-GDI (1,834 ml)	F5M42 (2WD-5M/T)	GDI
	SNJCL6/R6			
	SNDCL6/R6			
	SRPCL6/R6		F4A42 (2WD-4A/T)	
	SRJCL6/R6			
	SRDCL6/R6			

ABBREVIATION SYMBOLS

Abbreviation symbols used for wiring harness

Abbreviation symbols	Meaning
ABV	Air bypass valve
GDI	Gasoline direct injection

WIRING HARNESS CONFIGURATION DIAGRAMS

CONTENTS

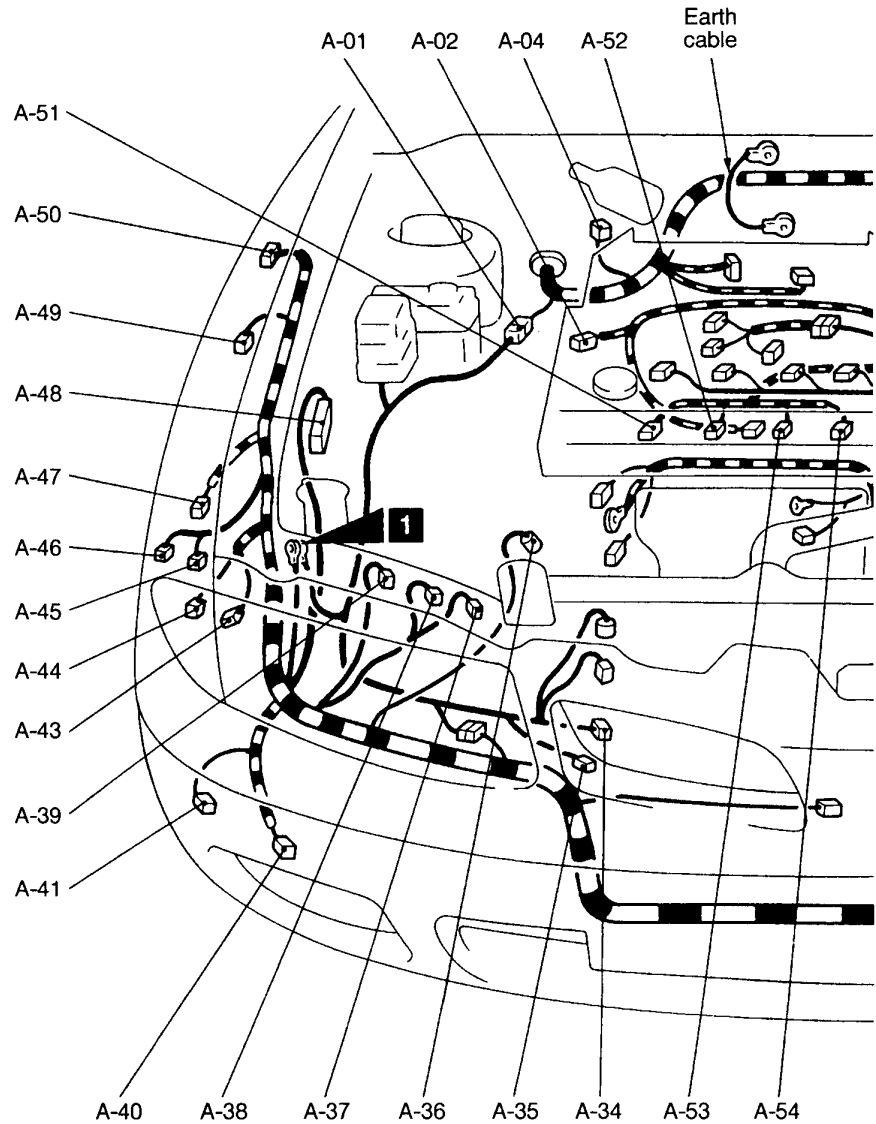
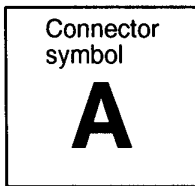
ENGINE COMPARTMENT

GDI <L.H. drive vehicles>	2-2
GDI <R.H. drive vehicles>	2-6

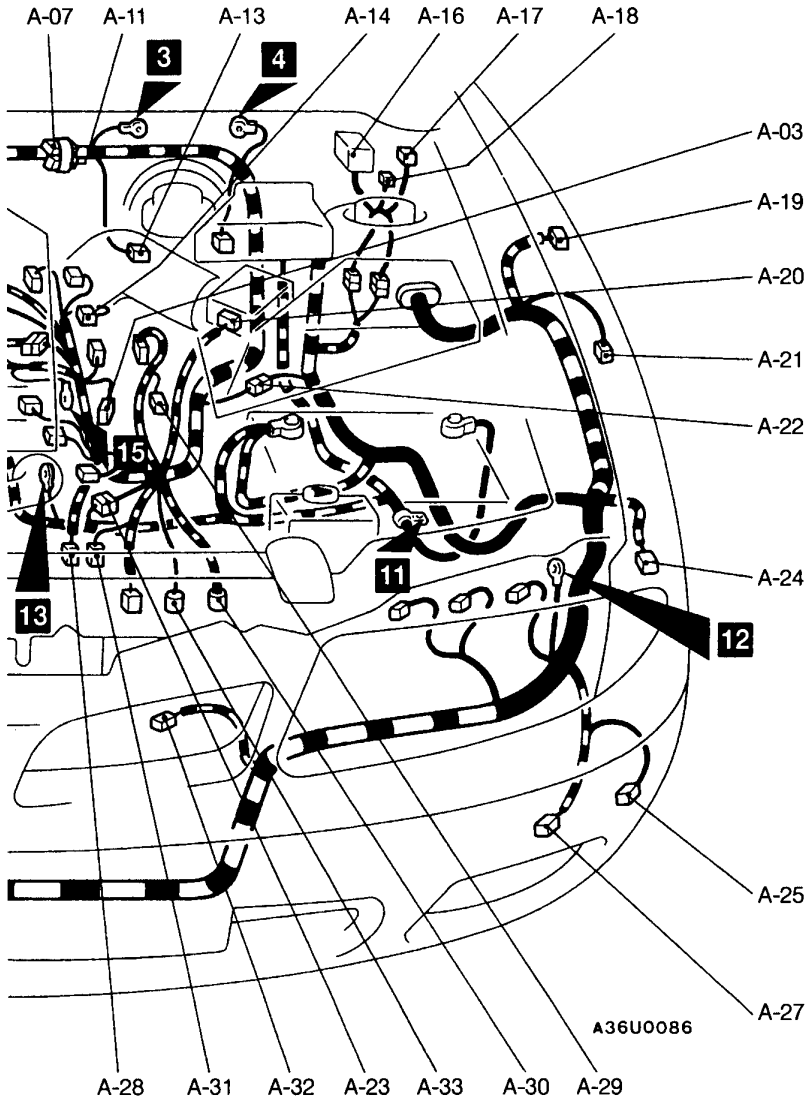


ENGINE COMPARTMENT

GDI <L.H. drive vehicles>

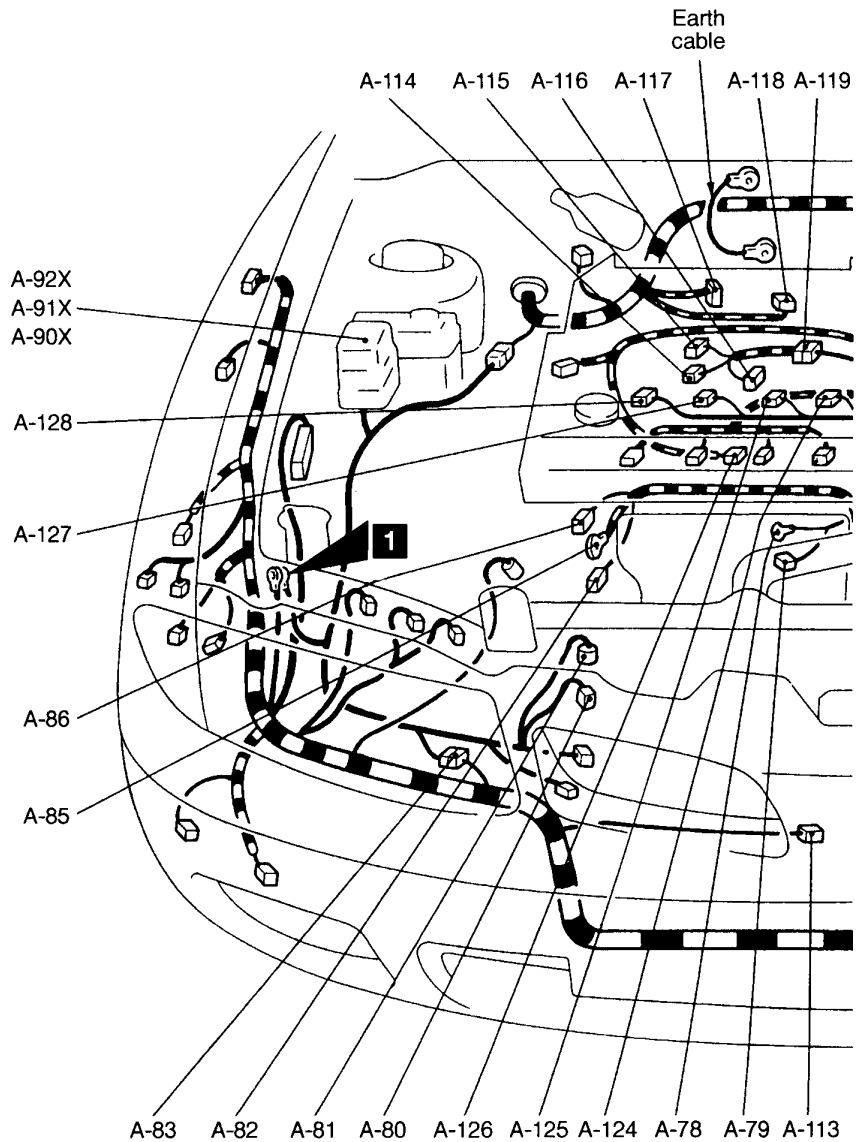
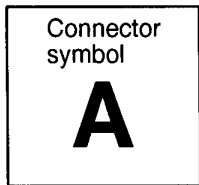


A-01 (4-B)	Control wiring harness and A/C wiring harness combination	A-20 (7-B)	Air flow sensor
A-02 (3-B)	Crank angle sensor	A-21 (2-B)	Front speed sensor (LH) <ABS>
A-03 (3-B)	Camshaft position sensor	A-22 (6-B)	Front wiring harness and control wiring harness combination
A-04 (5-B)	Windshield wiper motor	A-23 (6-B)	Control wiring harness and battery cable assembly combination
A-09 (1-B)	Fuel pump check connector	A-24 (2-B)	Front turn signal lamp (LH)
A-11 (1-L)	Engine speed detection connector	A-25 (2-B)	Horn (LH)
A-13 (2-B)	Brake fluid level sensor	A-27 (2-G)	Front fog lamp (LH)
A-14 (2-B)	Purge control solenoid valve	A-28 (3-B)	Input shaft speed sensor <A/T>
A-16 (12)	DRL-ECU	A-29 (3-GR)	Output shaft speed sensor <A/T>
A-17 (4)	DRL relay 1	A-30 (10-GR)	ELC-4A/T control solenoid valve
A-18 (4)	DRL relay 2	A-31 (2-B)	Back-up lamp switch <M/T>
A-19 (2-B)	Side turn signal lamp (LH)		



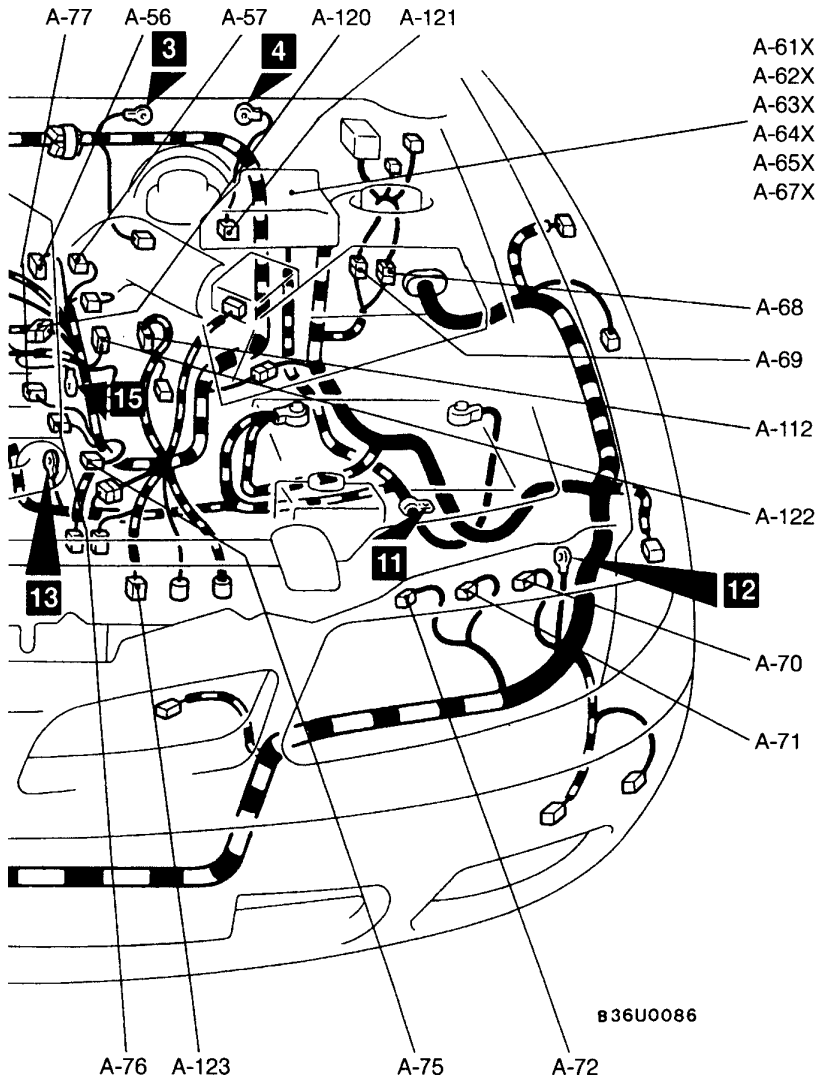
- | | | | |
|-------------|--|-------------|-------------------------------|
| A-32 (2-B) | Radiator fan motor | A-44 (2-G) | Headlamp washer motor |
| A-33 (10-B) | Inhibitor switch <A/T> | A-45 (2-G) | Rear washer motor |
| A-34 (4) | Condenser fan motor | A-46 (2) | Windshield washer motor |
| A-35 (2) | Outside thermo sensor <Full-auto A/C>
or no connection <Manual A/C> | A-47 (2-B) | Front turn signal lamp (RH) |
| A-36 (1) | Power steering oil pressure switch | A-48 (31) | ABS-ECU |
| A-37 (2-B) | Position lamp (RH) | A-49 (2-B) | Front speed sensor (RH) <ABS> |
| A-38 (3-B) | Headlamp (RH) | A-50 (2-B) | Side turn signal lamp (RH) |
| A-39 (3-B) | Headlamp leveling unit (RH) | A-51 (2-GR) | Injector No. 1 |
| A-40 (2-G) | Front fog lamp (RH) | A-52 (2-GR) | Injector No. 2 |
| A-41 (2-B) | Horn (RH) | A-53 (2-GR) | Injector No. 3 |
| A-43 (2-BR) | Washer fluid level sensor | A-54 (2-GR) | Injector No. 4 |

GDI <L.H. drive vehicles>



- A-56 (4-B) Throttle position sensor
- A-57 (6-B) Idle speed control servo
- A-61X (5) Tail lamp relay <DRL>
- A-62X (4) Alternator relay
- A-63X (5) Radiator fan relay
- A-64X (5) Headlamp relay
- A-65X (5) Headlamp washer relay
- A-67X (5) Horn relay <SRS>
- A-68 (6-B) Front wiring harness and DRL wiring harness combination
- A-69 (6-B) Front wiring harness and DRL wiring harness combination
- A-70 (3-B) Headlamp leveling unit (LH)

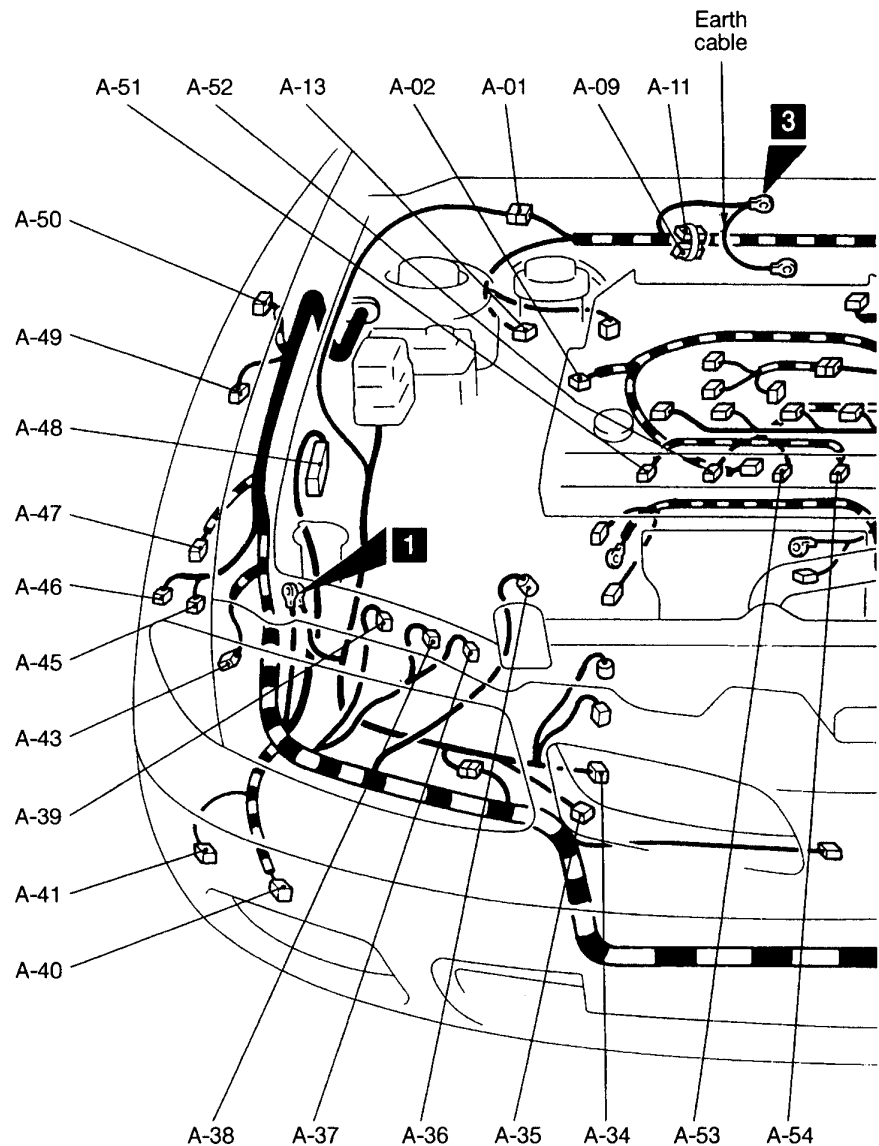
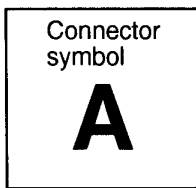
- A-71 (3-B) Headlamp (LH)
- A-72 (2-B) Position lamp (LH)
- A-75 (1-B) Engine coolant temperature gauge unit
- A-76 (2-B) Engine coolant temperature sensor
- A-77 (2-GR) Detonation sensor
- A-78 (1) Starter
- A-79 (1-B) Starter
- A-80 (2) Dual pressure switch
- A-81 (1) A/C refrigerant temperature switch and magnetic clutch
- A-82 (1-B) Oil pressure switch
- A-83 (8-B) Front wiring harness and A/C wiring harness combination



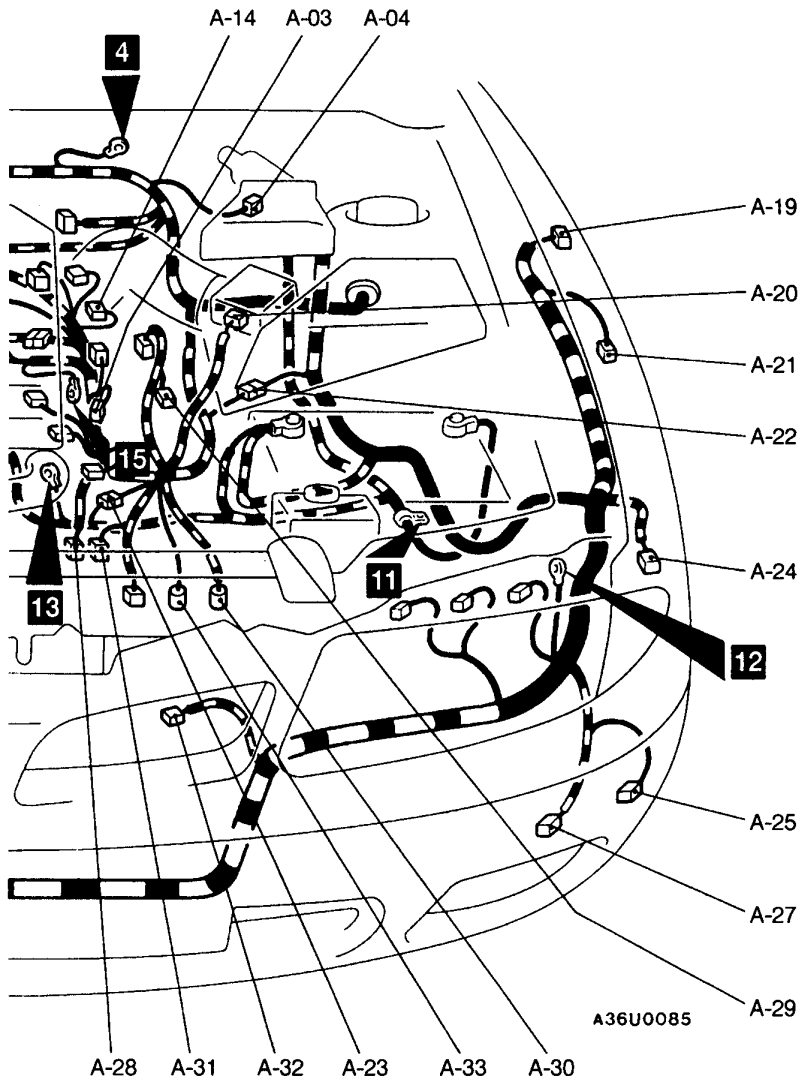
- | | | | |
|--------------|---|--------------|--|
| A-85 (1) | Alternator | A-119 (8-B) | Control wiring harness and ABV wiring harness combination |
| A-86 (4-DG) | Alternator | A-120 (8-B) | Control wiring harness and injector wiring harness combination |
| A-90X (5) | Condenser fan relay (LO) | A-121 (3-B) | Brake vacuum sensor |
| A-91X (5) | Condenser fan relay (HI) | A-122 (3-B) | Fuel pressure sensor |
| A-92X (5) | A/C compressor relay | A-123 (2-GR) | M/T oil temperature sensor |
| A-112 (3-B) | Vehicle speed sensor | A-124 (3-GR) | Ignition coil 4 |
| A-113 (2-BR) | Outside thermo sensor <Without A/C> or no connection <With A/C> | A-125 (3-GR) | Ignition coil 3 |
| A-114 (2-DG) | Air bypass on/off solenoid valve | A-126 (4-B) | Oxygen sensor |
| A-115 (2-DG) | Air bypass duty solenoid valve | A-127 (3-GR) | Ignition coil 2 |
| A-116 (6-DG) | EGR servo | A-128 (3-GR) | Ignition coil 1 |
| A-117 (26-B) | Injector driver | | |
| A-118 (4-GR) | Injector driver control relay | | |

ENGINE COMPARTMENT

GDI <R.H. drive vehicles>

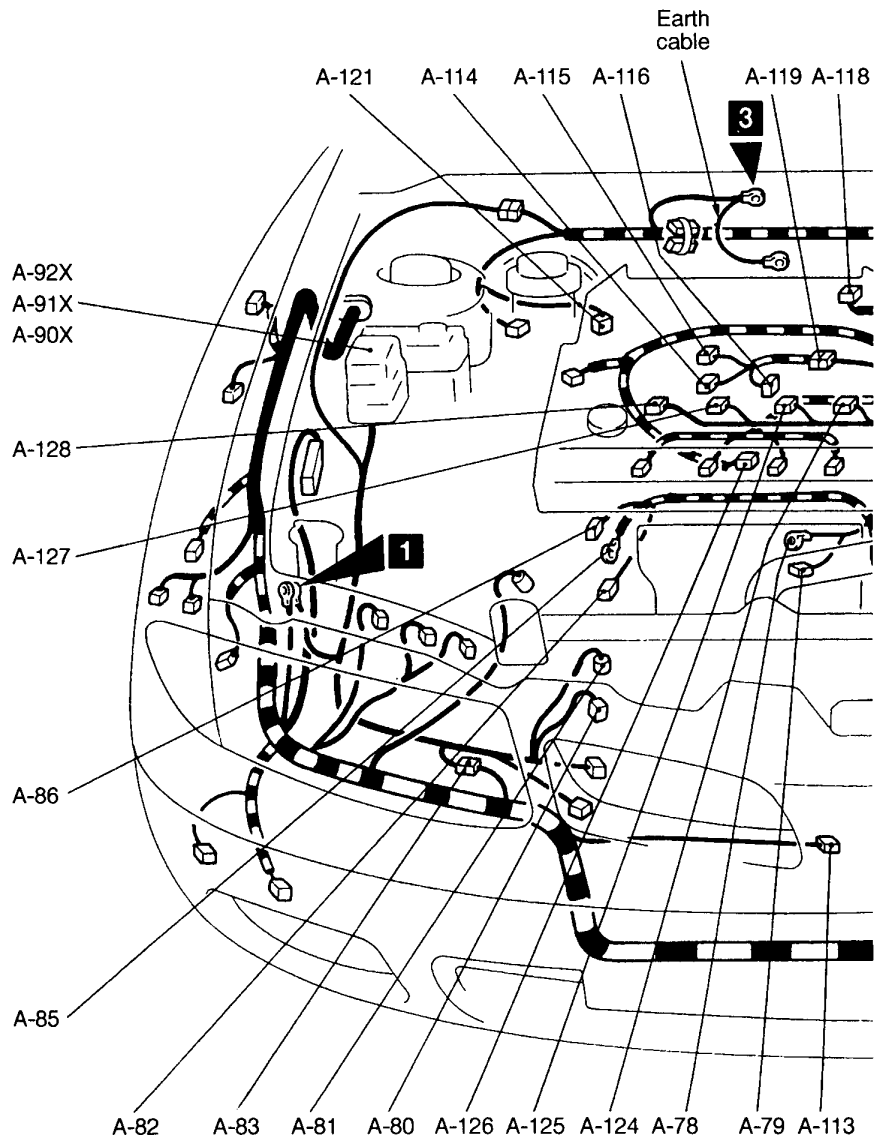
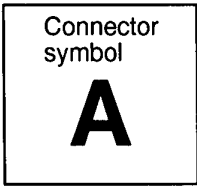


A-01 (4-B)	Control wiring harness and A/C wiring harness combination	A-22 (6-B)	Front wiring harness and control wiring harness combination
A-02 (3-B)	Crank angle sensor	A-23 (6-B)	Control wiring harness and battery cable assembly combination
A-03 (3-B)	Camshaft position sensor	A-24 (2-B)	Front turn signal lamp (LH)
A-04 (5-B)	Windshield wiper motor	A-25 (2-B)	Horn (LH)
A-09 (1-B)	Fuel pump check connector	A-27 (2-G)	Front fog lamp (LH)
A-11 (1-L)	Engine speed detection connector	A-28 (3-B)	Input shaft speed sensor <A/T>
A-13 (2-B)	Brake fluid level sensor	A-29 (3-GR)	Output shaft speed sensor <A/T>
A-14 (2-B)	Purge control solenoid valve	A-30 (10-GR)	ELC-4A/T control solenoid valve
A-19 (2-B)	Side turn signal lamp (LH)	A-31 (2-B)	Back-up lamp switch <M/T>
A-20 (7-B)	Air flow sensor	A-32 (2-B)	Radiator fan motor
A-21 (2-B)	Front speed sensor (LH) <ABS>		

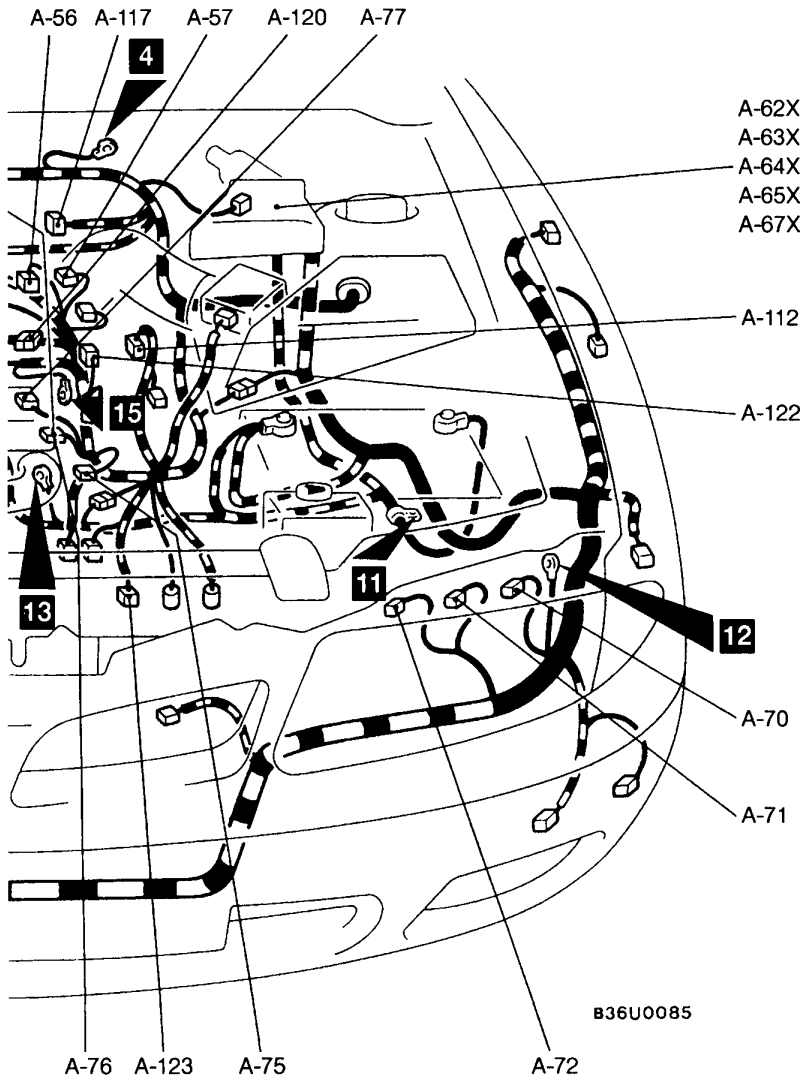


- | | | | |
|-------------|--|-------------|-------------------------------|
| A-33 (10-B) | Inhibitor switch <A/T> | A-45 (2-G) | Rear washer motor |
| A-34 (4) | Condenser fan motor | A-46 (2) | Windshield washer motor |
| A-35 (2) | Outside thermo sensor <Full-auto A/C>
or no connection <Manual A/C> | A-47 (2-B) | Front turn signal lamp (RH) |
| A-36 (1) | Power steering oil pressure switch | A-48 (31-B) | ABS-ECU |
| A-37 (2-B) | Position lamp (RH) | A-49 (2-B) | Front speed sensor (RH) <ABS> |
| A-38 (3-B) | Headlamp (RH) | A-50 (2-B) | Side turn signal lamp (RH) |
| A-39 (3-B) | Headlamp leveling unit (RH) | A-51 (2-GR) | Injector No. 1 |
| A-40 (2-G) | Front fog lamp (RH) | A-52 (2-GR) | Injector No. 2 |
| A-41 (2-B) | Horn (RH) | A-53 (2-GR) | Injector No. 3 |
| A-43 (2-BR) | Washer fluid level sensor | A-54 (2-GR) | Injector No. 4 |

GDI <R.H. drive vehicles>



A-56 (4-B)	Throttle position sensor	A-77 (2-GR)	Detonation sensor
A-57 (6-B)	Idle speed control servo	A-78 (1)	Starter
A-62X (4)	Alternator relay	A-79 (1-B)	Starter
A-63X (5)	Radiator fan relay	A-80 (2)	Dual pressure switch
A-64X (5)	Headlamp relay	A-81 (1)	A/C refrigerant temperature switch and magnetic clutch
A-65X (5)	Headlamp washer relay	A-82 (1-B)	Oil pressure switch
A-67X (5)	Horn relay <SRS>	A-83 (8-B)	Front wiring harness and A/C wiring harness combination
A-70 (3-B)	Headlamp leveling unit (LH)	A-85 (1)	Alternator
A-71 (3-B)	Headlamp (LH)	A-86 (4-DG)	Alternator
A-72 (2-B)	Position lamp (LH)		
A-75 (1-B)	Engine coolant temperature gauge unit		
A-76 (2-B)	Engine coolant temperature sensor		



- | | | | |
|--------------|---|--------------|--|
| A-90X (5) | Condenser fan relay (LO) | A-120 (8-B) | Control wiring harness and injector wiring harness combination |
| A-91X (5) | Condenser fan relay (HI) | A-121 (3-B) | Brake vacuum sensor |
| A-92X (5) | A/C compressor relay | A-122 (3-B) | Fuel pressure sensor |
| A-112 (3-B) | Vehicle speed sensor | A-123 (2-GR) | M/T oil temperature sensor |
| A-113 (2-BR) | Outside thermo sensor <Without A/C> or no connection <With A/C> | A-124 (3-GR) | Ignition coil 4 |
| A-114 (2-DG) | Air bypass on/off solenoid valve | A-125 (3-GR) | Ignition coil 3 |
| A-115 (2-DG) | Air bypass duty solenoid valve | A-126 (4-B) | Oxygen sensor |
| A-116 (6-DG) | EGR servo | A-127 (3-GR) | Ignition coil 2 |
| A-117 (26-B) | Injector driver | A-128 (3-GR) | Ignition coil 1 |
| A-118 (4-GR) | Injector driver control relay | | |
| A-119 (8-B) | Control wiring harness and ABV wiring harness combination | | |

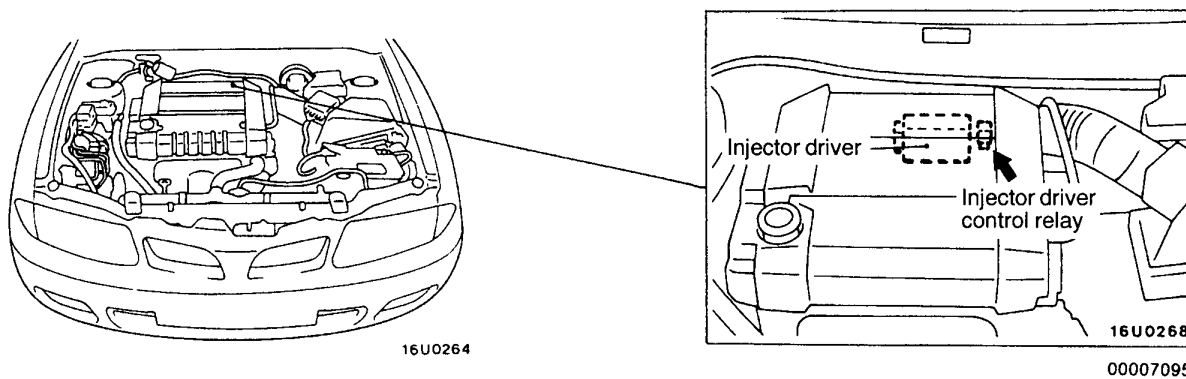
SINGLE PART INSTALLATION POSITION

CONTENTS

RELAY	3-2	SOLENOID VALVE	3-4
ECU	3-2	EARTH	3-5
SENSOR	3-3		



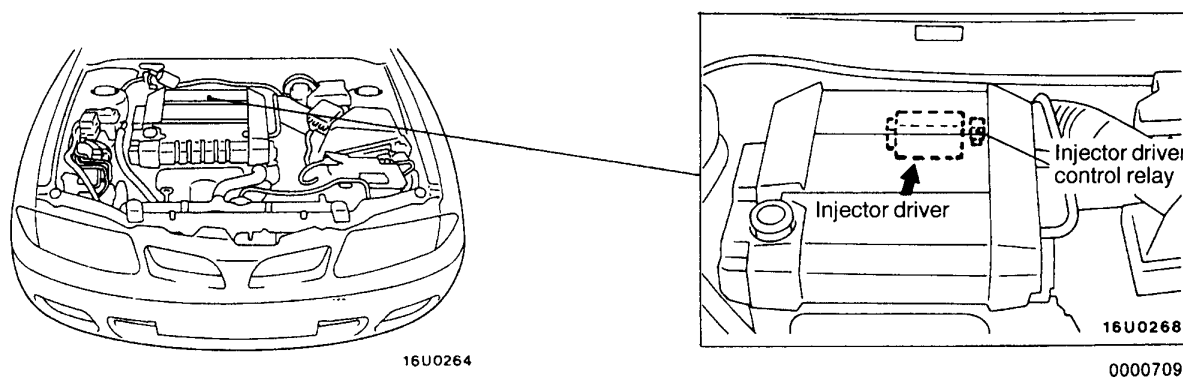
RELAY



Remark

For R.H. drive vehicles, the injector driver control relay is mounted on the opposite side of the injector driver.

ECU

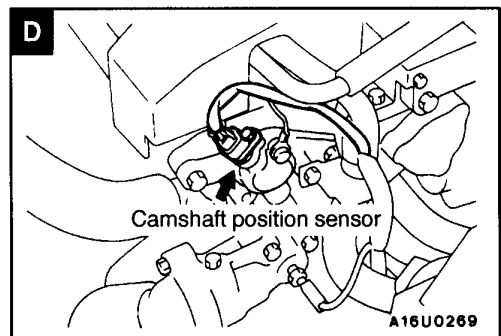
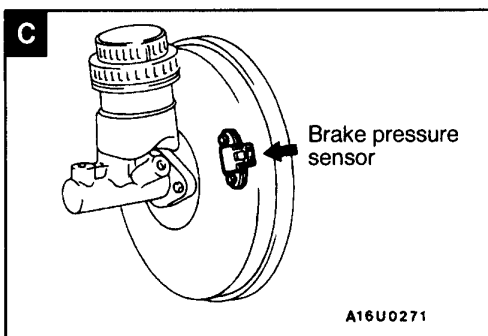
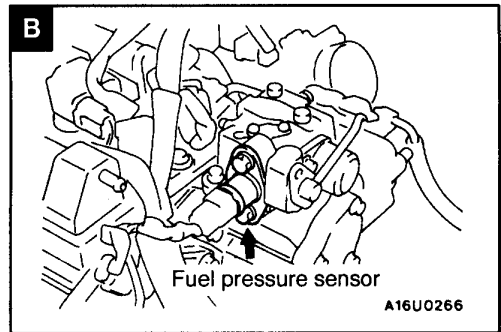
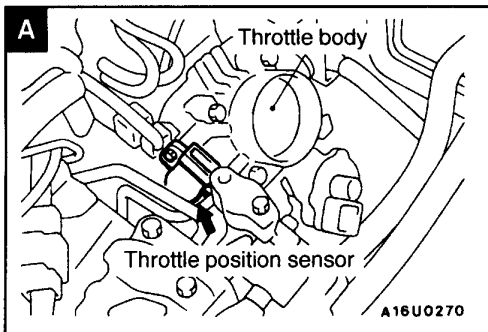
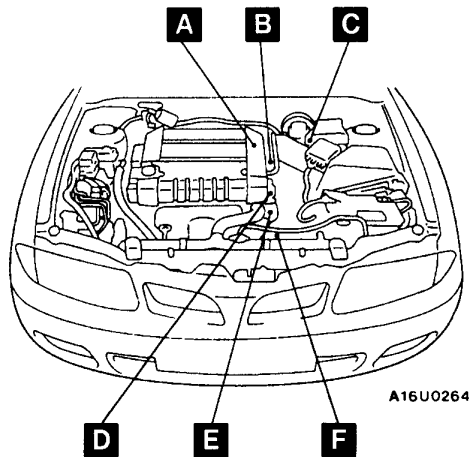


Remark

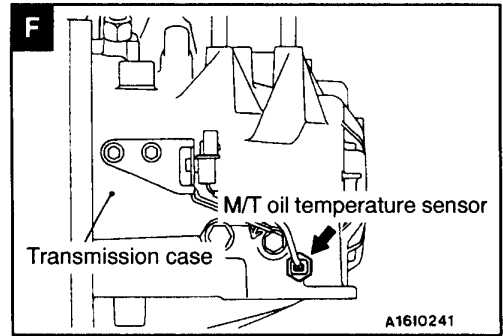
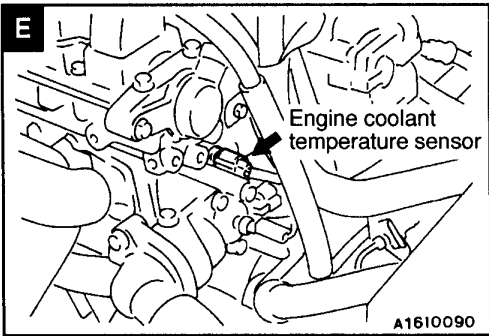
For R.H. drive vehicles, the injector driver control relay is mounted on the opposite side of the injector driver.

SENSOR

Name	Symbol	Name	Symbol
Brake pressure sensor	C	Fuel pressure sensor	B
Camshaft position sensor	D	M/T oil temperature sensor	F
Engine coolant temperature sensor	E	Throttle position sensor	A

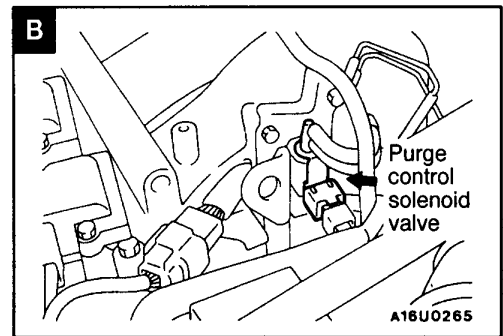
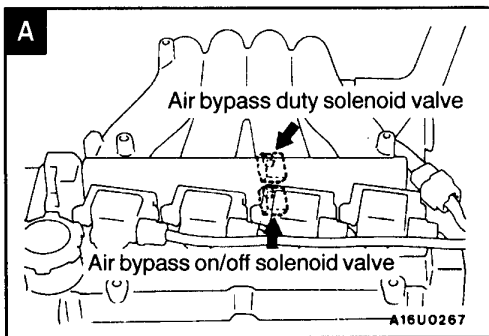
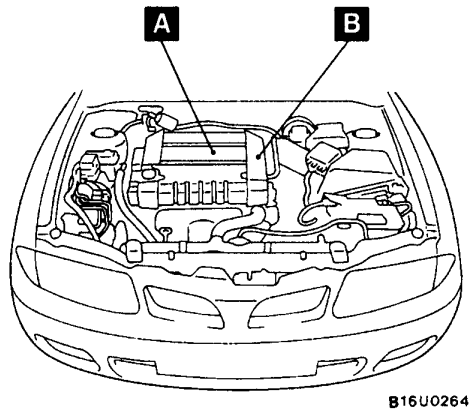


3-4 SINGLE PART INSTALLATION POSITION – Sensor/Solenoid Valve

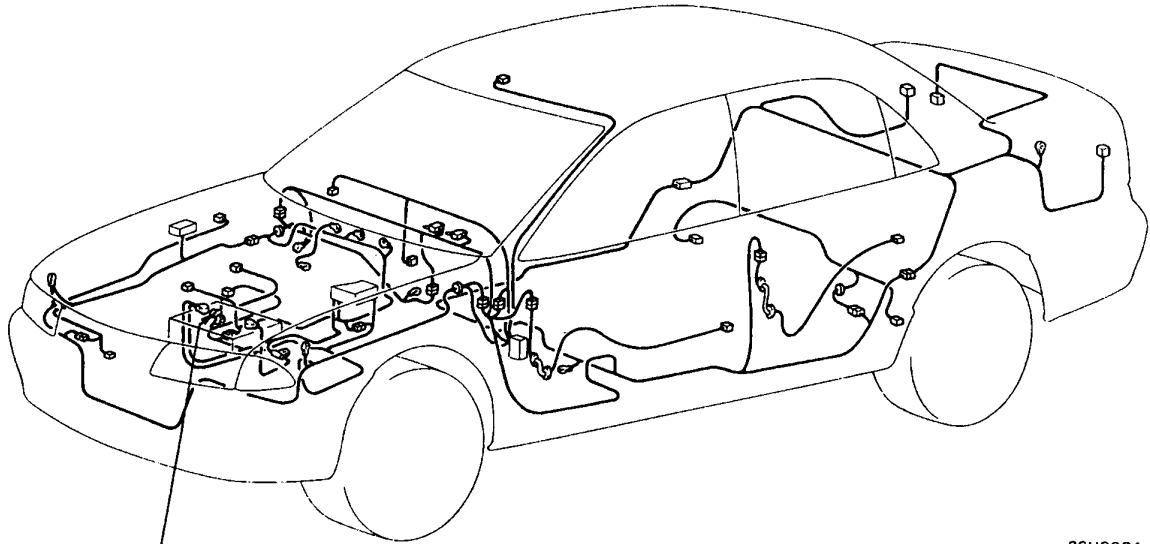


SOLENOID VALVE

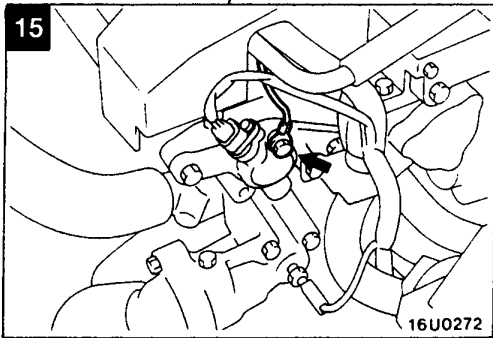
Name	Symbol	Name	Symbol
Air bypass duty solenoid valve	A	Purge control solenoid valve	B
Air bypass on/off solenoid valve	A		



EARTH



36U0084



00007097

CIRCUIT DIAGRAM

CONTENTS

STARTING SYSTEM

Petrol-powered vehicles <GDI> 4-2

IGNITION SYSTEM

GDI 4-3

CHARGING SYSTEM

Petrol-powered vehicles <GDI> 4-4

MPI SYSTEM

GDI 4-6

ELC 4-SPEED AUTOMATIC TRANSMISSION

GDI 4-16

OIL PRESSURE WARNING LAMP 4-25

MANUAL AIR CONDITIONER

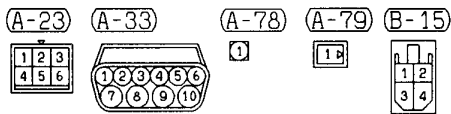
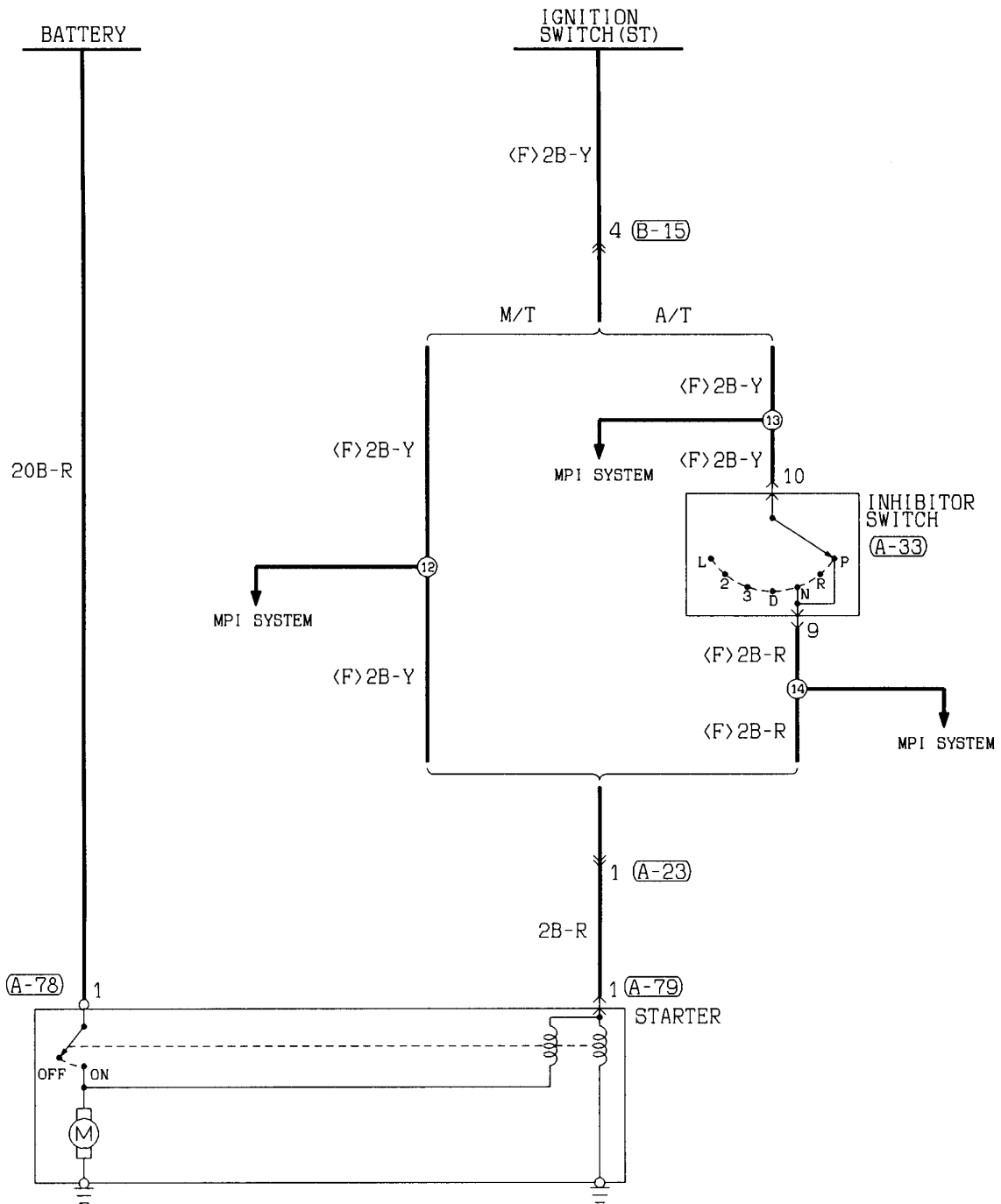
Petrol-powered vehicles <GDI> 4-26

FULL-AUTO AIR CONDITIONER AND AIR PURIFIER

Petrol-powered vehicles <GDI> 4-32

STARTING SYSTEM

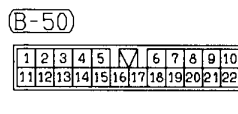
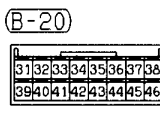
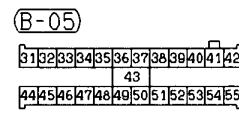
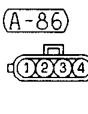
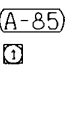
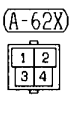
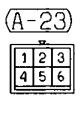
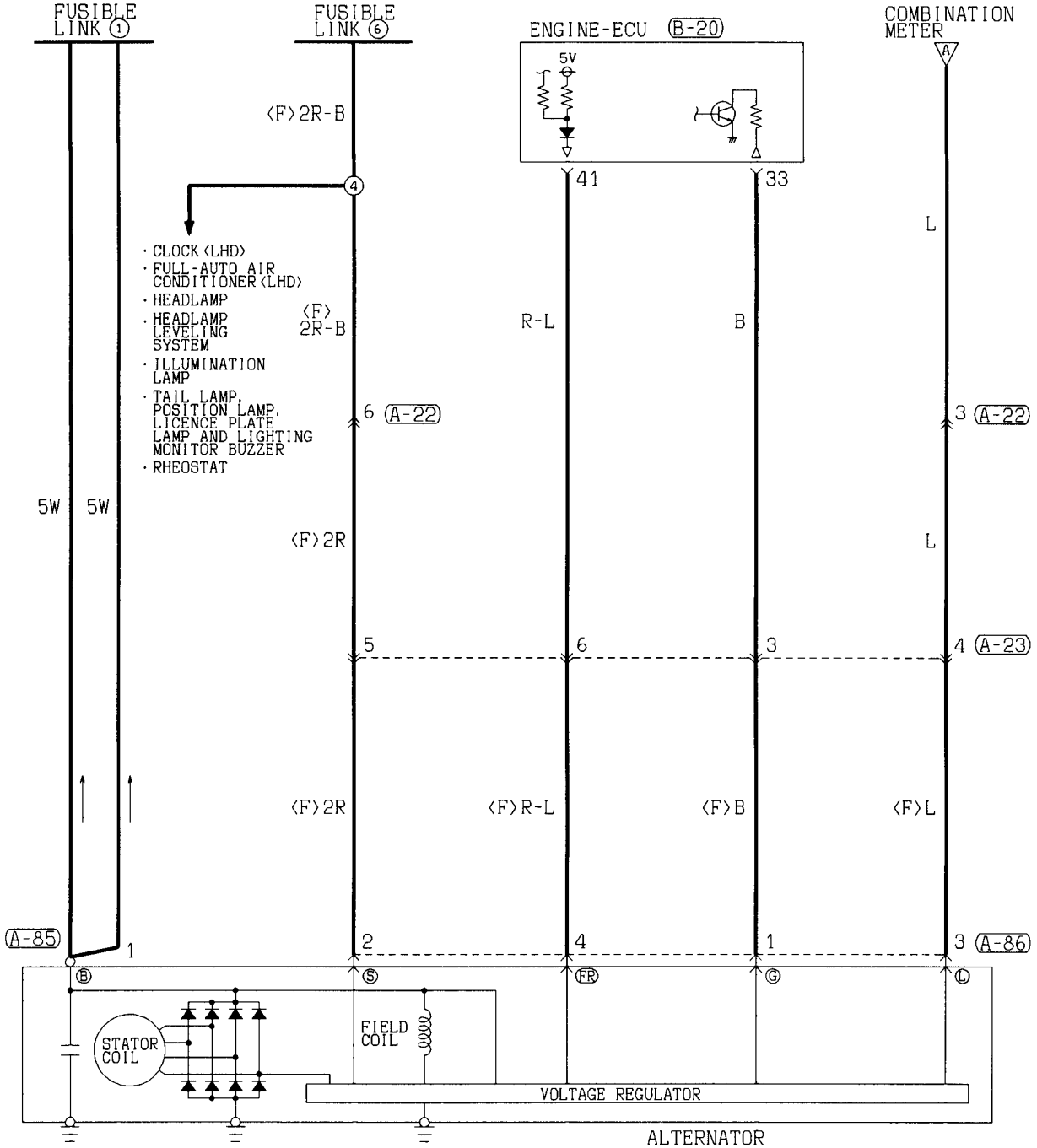
Petrol-powered vehicles <GDI>

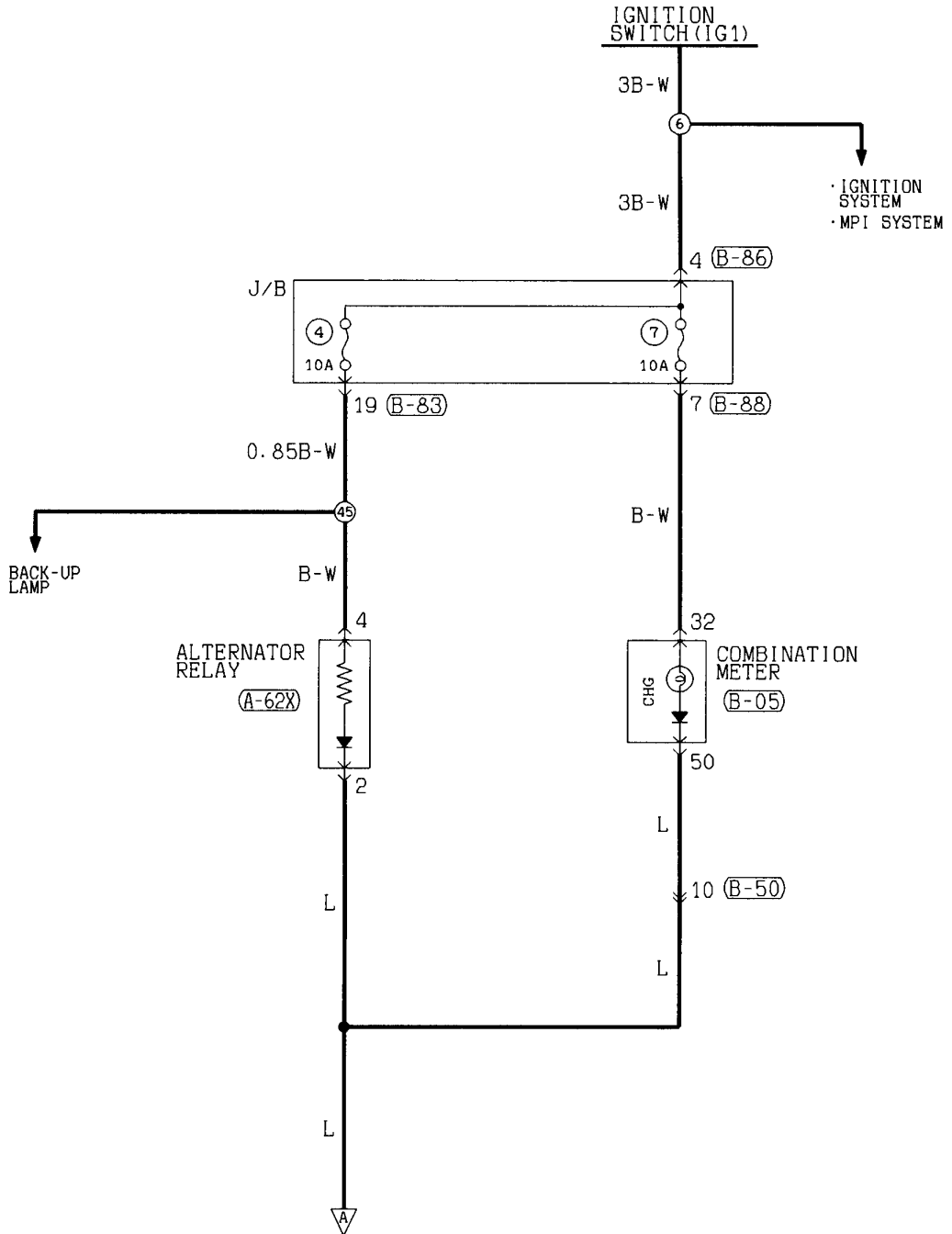


Wire colour code
 B : Black LG:Light green G :Green L :Blue W :White Y :Yellow SB:Sky blue
 BR:Brown O :Orange GR:Gray R :Red P :Pink V :Violet

CHARGING SYSTEM

Petrol-powered vehicles <GDI>





(B-83)

1	2	3	4	5	6	7	8	9
10	11	12	13	14	15	16	17	18
19	20							

(B-86)

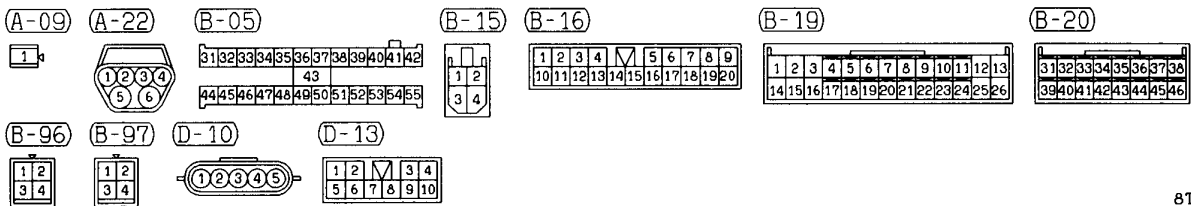
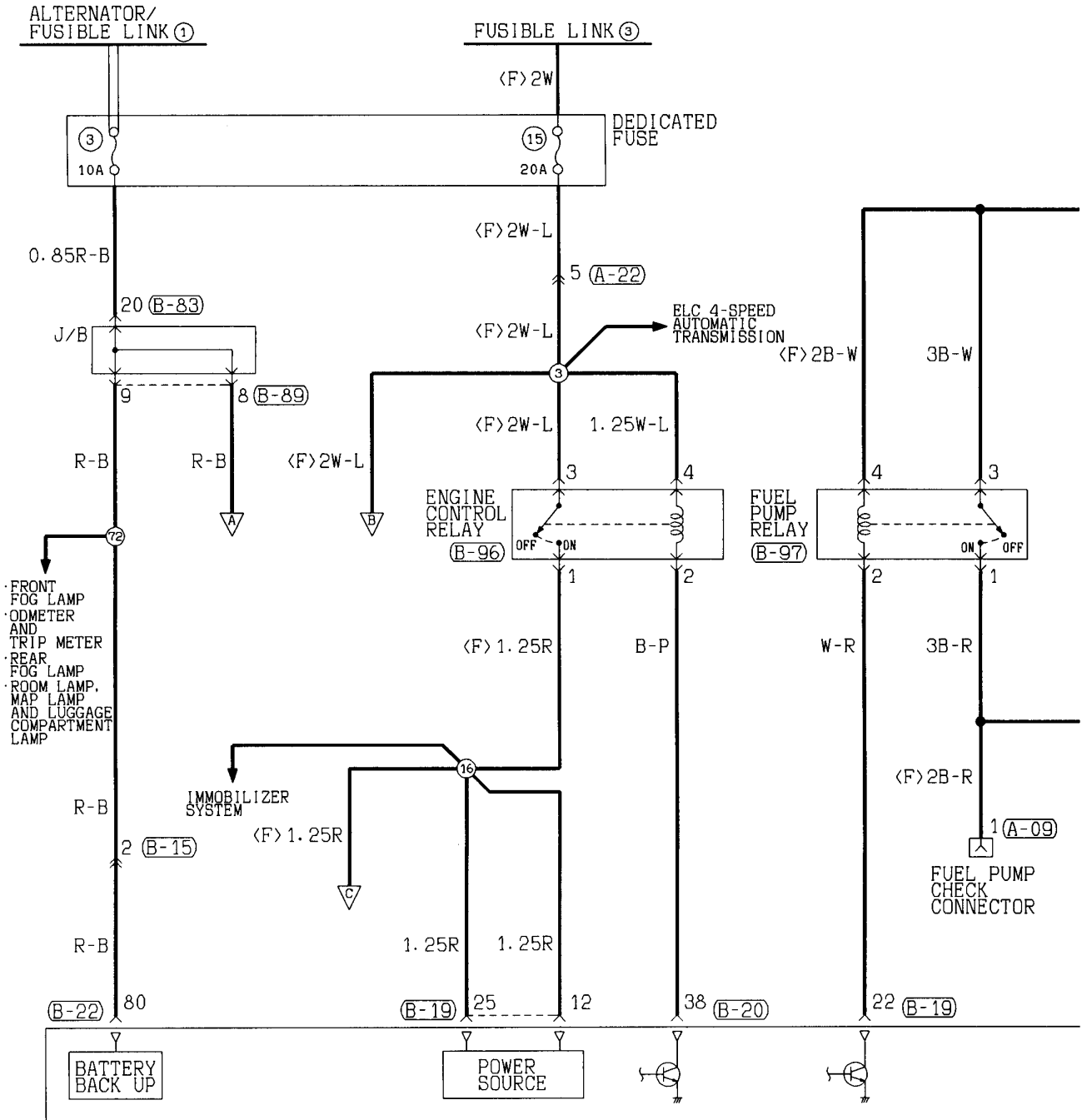
1	2	3	4	5	6	7	8
9	10	11	12	13	14	15	16
17	18						

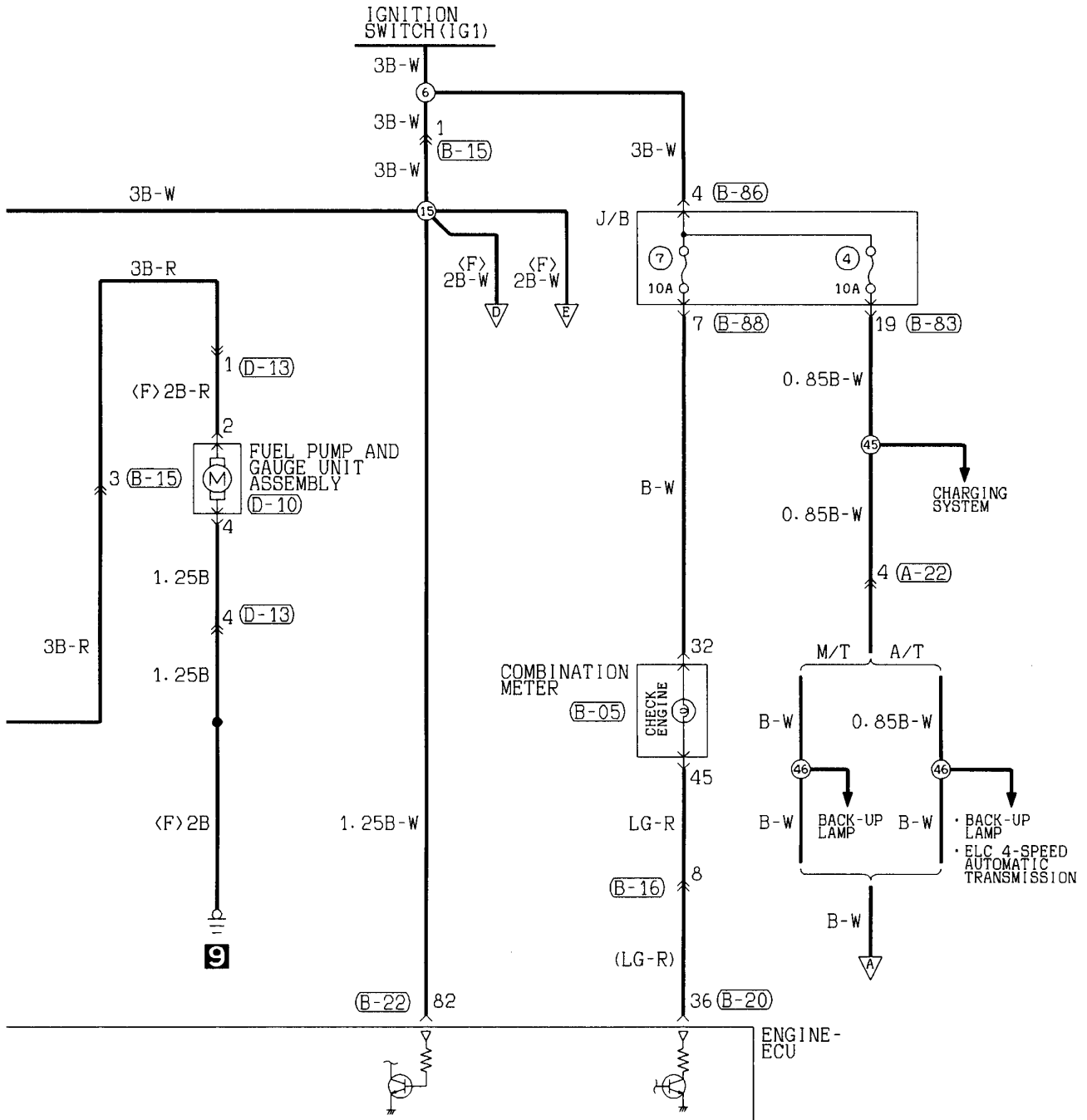
(B-88)

1	2	3	4	5	6	7	8	9	10
11	12	13	14	15	16	17	18	19	20
21	22								

Wire colour code
 B : Black LG : Light green G : Green L : Blue W : White Y : Yellow SB : Sky blue
 BR : Brown O : Orange GR : Gray R : Red P : Pink V : Violet

MPI SYSTEM
GDI

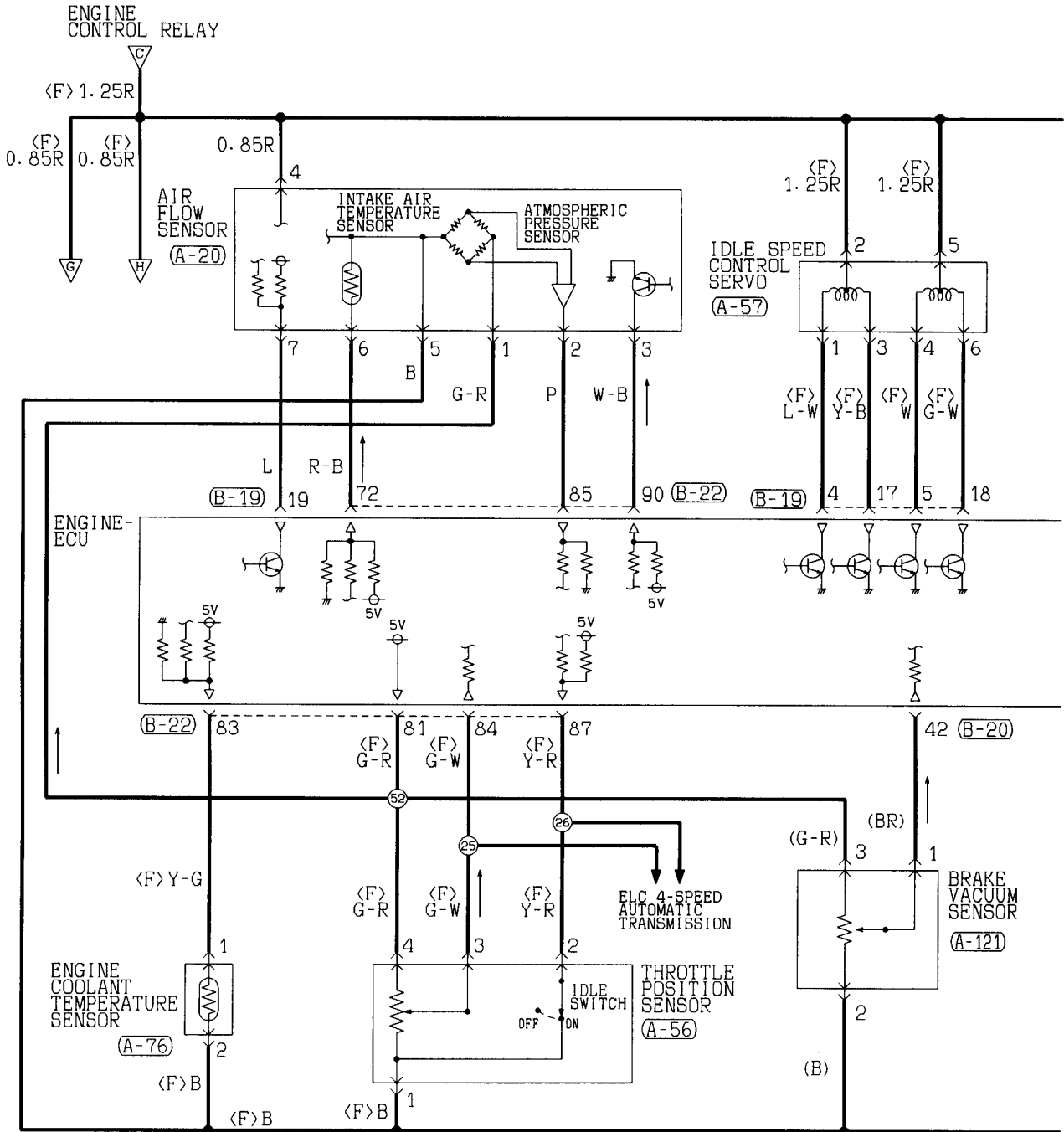




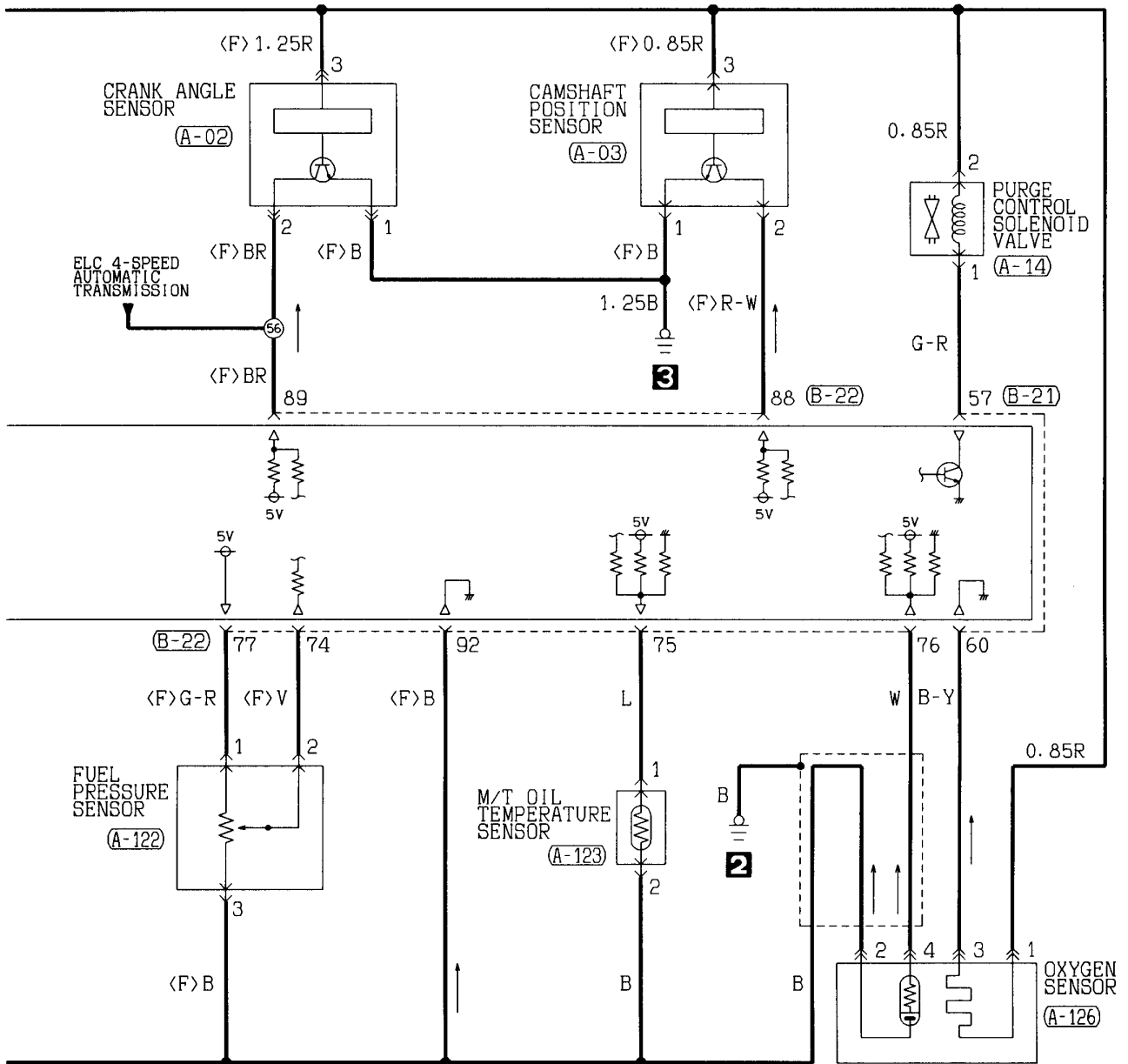
(B-22)	(B-83)	(B-86)	(B-88)	(B-89)																																																																																																																																																																											
<table border="1"> <tr><td>1</td><td>2</td><td>3</td><td>4</td><td>M</td><td>5</td><td>6</td><td>7</td><td>8</td><td>9</td></tr> <tr><td>10</td><td>11</td><td>12</td><td>13</td><td>14</td><td>15</td><td>16</td><td>17</td><td>18</td><td>19</td><td>20</td></tr> <tr><td>21</td><td>22</td><td>23</td><td>24</td><td>25</td><td>26</td><td>27</td><td>28</td><td>29</td><td>30</td><td>31</td></tr> <tr><td>32</td><td>33</td><td>34</td><td>35</td><td>36</td><td>37</td><td>38</td><td>39</td><td>40</td><td>41</td><td>42</td></tr> </table>	1	2	3	4	M	5	6	7	8	9	10	11	12	13	14	15	16	17	18	19	20	21	22	23	24	25	26	27	28	29	30	31	32	33	34	35	36	37	38	39	40	41	42	<table border="1"> <tr><td>1</td><td>2</td><td>3</td><td>4</td><td>M</td><td>5</td><td>6</td><td>7</td><td>8</td><td>9</td></tr> <tr><td>10</td><td>11</td><td>12</td><td>13</td><td>14</td><td>15</td><td>16</td><td>17</td><td>18</td><td>19</td><td>20</td></tr> <tr><td>21</td><td>22</td><td>23</td><td>24</td><td>25</td><td>26</td><td>27</td><td>28</td><td>29</td><td>30</td><td>31</td></tr> <tr><td>32</td><td>33</td><td>34</td><td>35</td><td>36</td><td>37</td><td>38</td><td>39</td><td>40</td><td>41</td><td>42</td></tr> </table>	1	2	3	4	M	5	6	7	8	9	10	11	12	13	14	15	16	17	18	19	20	21	22	23	24	25	26	27	28	29	30	31	32	33	34	35	36	37	38	39	40	41	42	<table border="1"> <tr><td>1</td><td>2</td><td>3</td><td>4</td><td>M</td><td>5</td><td>6</td><td>7</td><td>8</td></tr> <tr><td>9</td><td>10</td><td>11</td><td>12</td><td>13</td><td>14</td><td>15</td><td>16</td><td>17</td><td>18</td></tr> <tr><td>19</td><td>20</td><td>21</td><td>22</td><td>23</td><td>24</td><td>25</td><td>26</td><td>27</td><td>28</td></tr> <tr><td>29</td><td>30</td><td>31</td><td>32</td><td>33</td><td>34</td><td>35</td><td>36</td><td>37</td><td>38</td></tr> </table>	1	2	3	4	M	5	6	7	8	9	10	11	12	13	14	15	16	17	18	19	20	21	22	23	24	25	26	27	28	29	30	31	32	33	34	35	36	37	38	<table border="1"> <tr><td>1</td><td>2</td><td>3</td><td>4</td><td>M</td><td>5</td><td>6</td><td>7</td><td>8</td><td>9</td><td>10</td></tr> <tr><td>11</td><td>12</td><td>13</td><td>14</td><td>15</td><td>16</td><td>17</td><td>18</td><td>19</td><td>20</td><td>21</td><td>22</td></tr> <tr><td>23</td><td>24</td><td>25</td><td>26</td><td>27</td><td>28</td><td>29</td><td>30</td><td>31</td><td>32</td><td>33</td><td>34</td></tr> <tr><td>35</td><td>36</td><td>37</td><td>38</td><td>39</td><td>40</td><td>41</td><td>42</td><td>43</td><td>44</td><td>45</td><td>46</td></tr> </table>	1	2	3	4	M	5	6	7	8	9	10	11	12	13	14	15	16	17	18	19	20	21	22	23	24	25	26	27	28	29	30	31	32	33	34	35	36	37	38	39	40	41	42	43	44	45	46
1	2	3	4	M	5	6	7	8	9																																																																																																																																																																						
10	11	12	13	14	15	16	17	18	19	20																																																																																																																																																																					
21	22	23	24	25	26	27	28	29	30	31																																																																																																																																																																					
32	33	34	35	36	37	38	39	40	41	42																																																																																																																																																																					
1	2	3	4	M	5	6	7	8	9																																																																																																																																																																						
10	11	12	13	14	15	16	17	18	19	20																																																																																																																																																																					
21	22	23	24	25	26	27	28	29	30	31																																																																																																																																																																					
32	33	34	35	36	37	38	39	40	41	42																																																																																																																																																																					
1	2	3	4	M	5	6	7	8																																																																																																																																																																							
9	10	11	12	13	14	15	16	17	18																																																																																																																																																																						
19	20	21	22	23	24	25	26	27	28																																																																																																																																																																						
29	30	31	32	33	34	35	36	37	38																																																																																																																																																																						
1	2	3	4	M	5	6	7	8	9	10																																																																																																																																																																					
11	12	13	14	15	16	17	18	19	20	21	22																																																																																																																																																																				
23	24	25	26	27	28	29	30	31	32	33	34																																																																																																																																																																				
35	36	37	38	39	40	41	42	43	44	45	46																																																																																																																																																																				

Wire colour code
 B : Black LG : Light green G : Green L : Blue W : White Y : Yellow SB : Sky blue
 BR : Brown O : Orange GR : Gray R : Red P : Pink V : Violet

MPI SYSTEM <GDI> (CONTINUED)



- | | | | | | | | | | | |
|--------|--------|--------|--------|--------|--------|--------|---------|---------|---------|---------|
| (A-02) | (A-03) | (A-14) | (A-20) | (A-56) | (A-57) | (A-76) | (A-121) | (A-122) | (A-123) | (A-126) |
| | | | | | | | | | | |



(B-19)

1	2	3	4	5	6	7	8	9	10	11	12	13
14	15	16	17	18	19	20	21	22	23	24	25	26

(B-20)

31	32	33	34	35	36	37	38
39	40	41	42	43	44	45	46

(B-21)

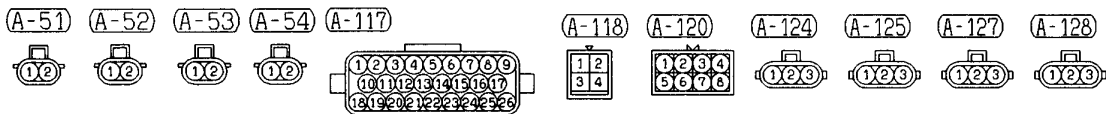
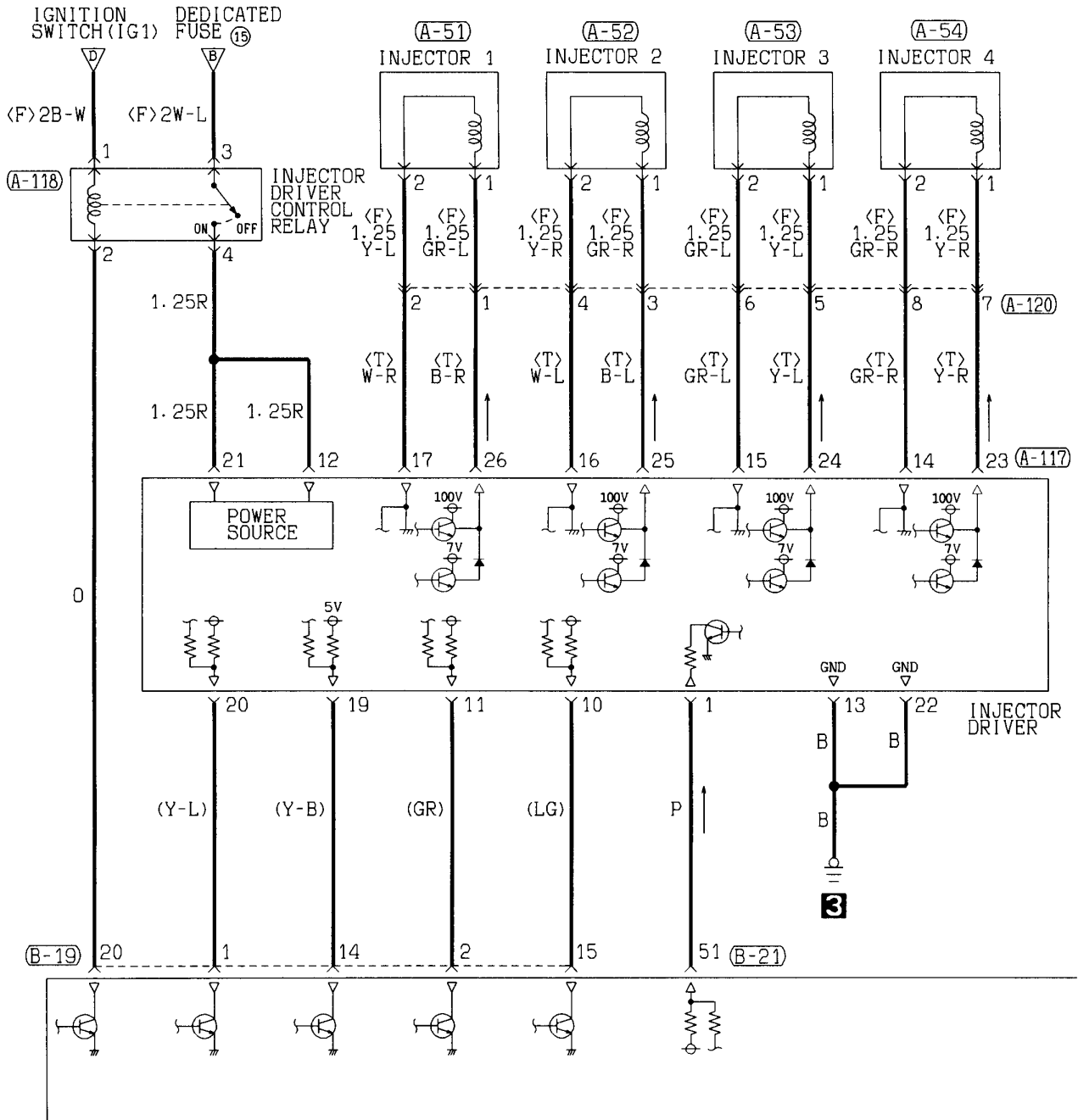
51	52	53	54	55	56
57	58	59	60	61	62

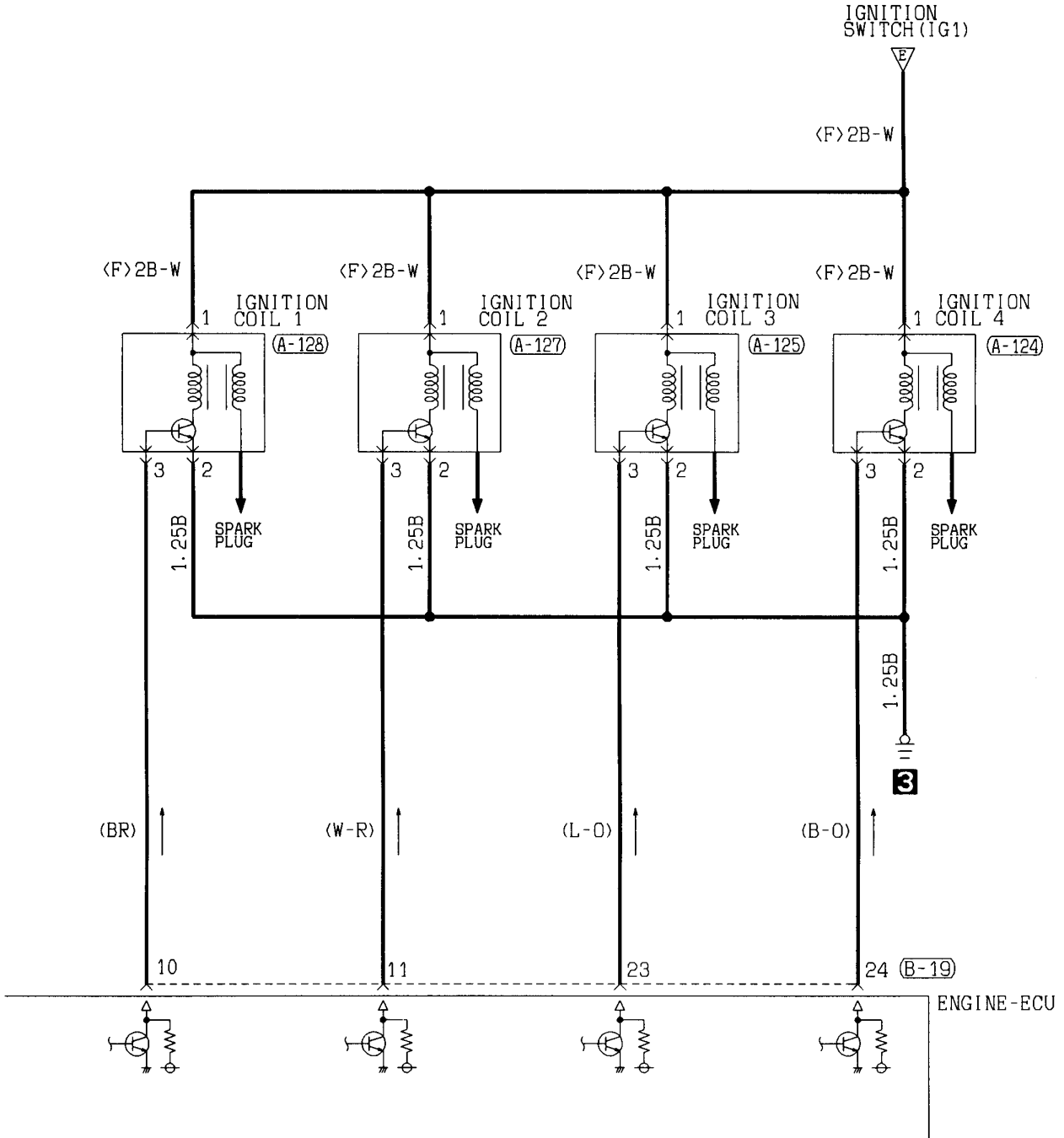
(B-22)

71	72	73	74	75	76	77	78	79	80	81
82	83	84	85	86	87	88	89	90	91	92

Wire colour code
 B :Black LG:Light green G :Green L :Blue W :White Y :Yellow SB:Sky blue
 BR:Brown O :Orange GR:Gray R :Red P :Pink V :Violet

MPI SYSTEM <GDI> (CONTINUED)





(B-19)

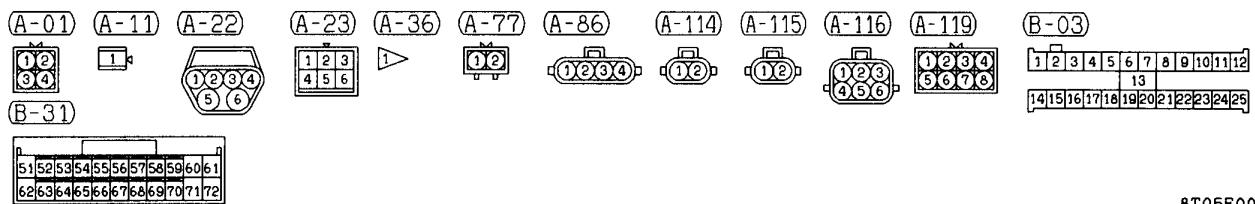
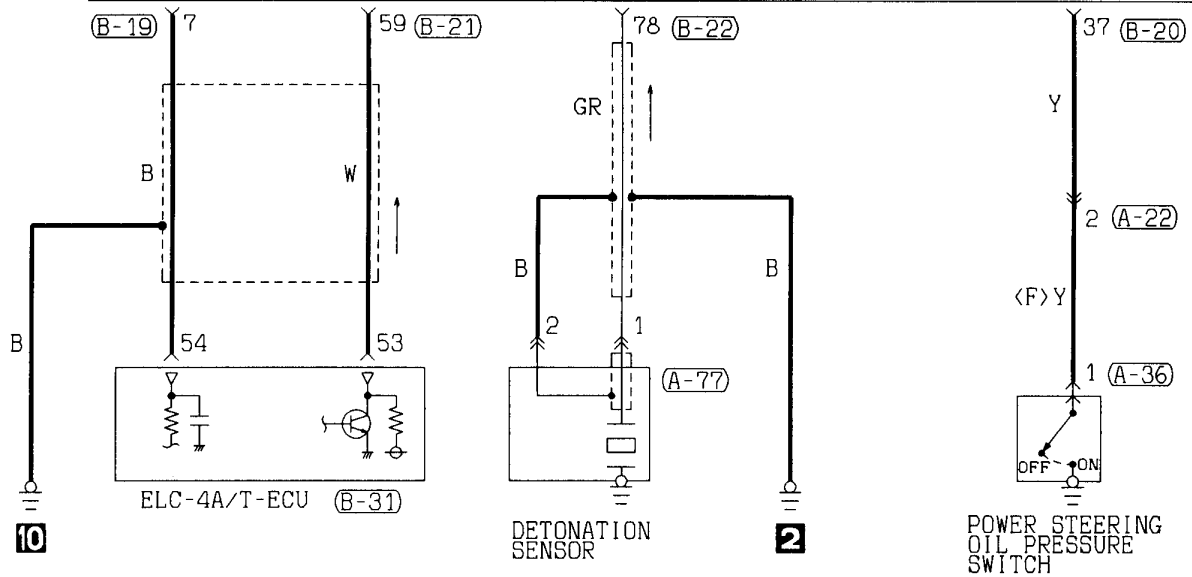
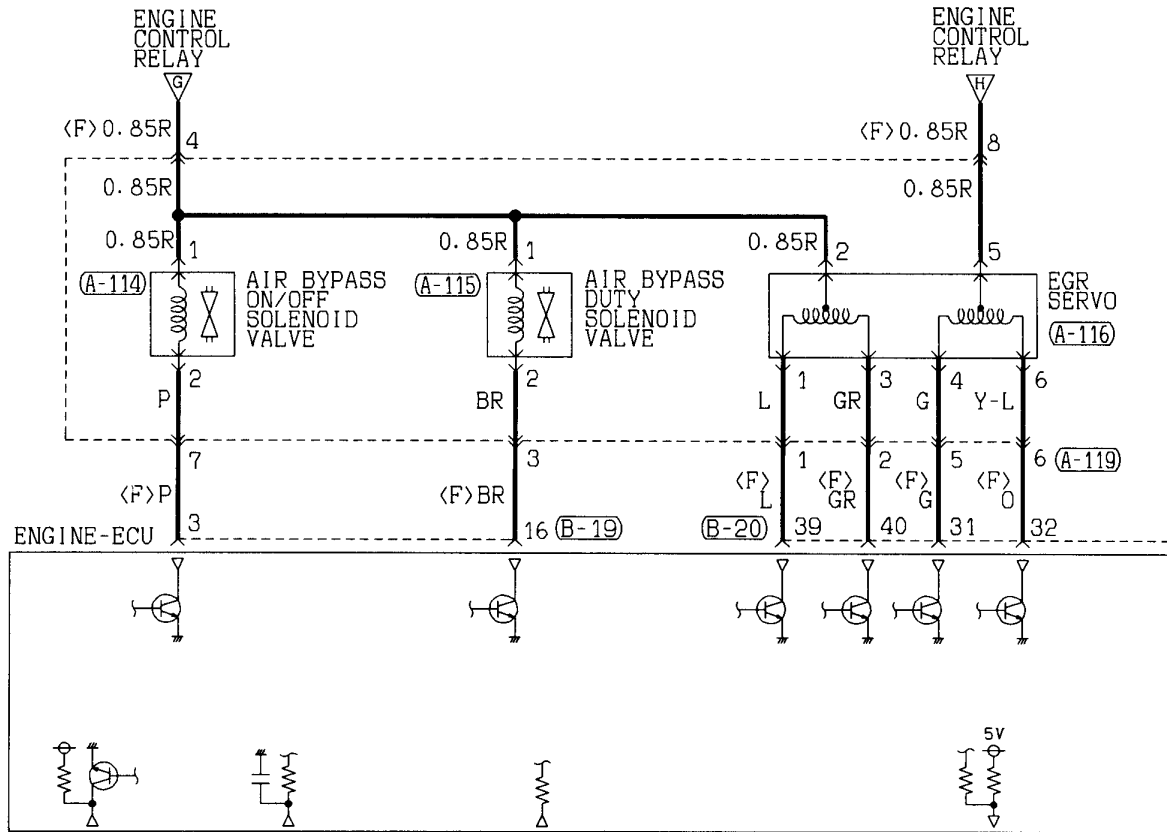
1	2	3	4	5	6	7	8	9	10	11	12	13
14	15	16	17	18	19	20	21	22	23	24	25	26

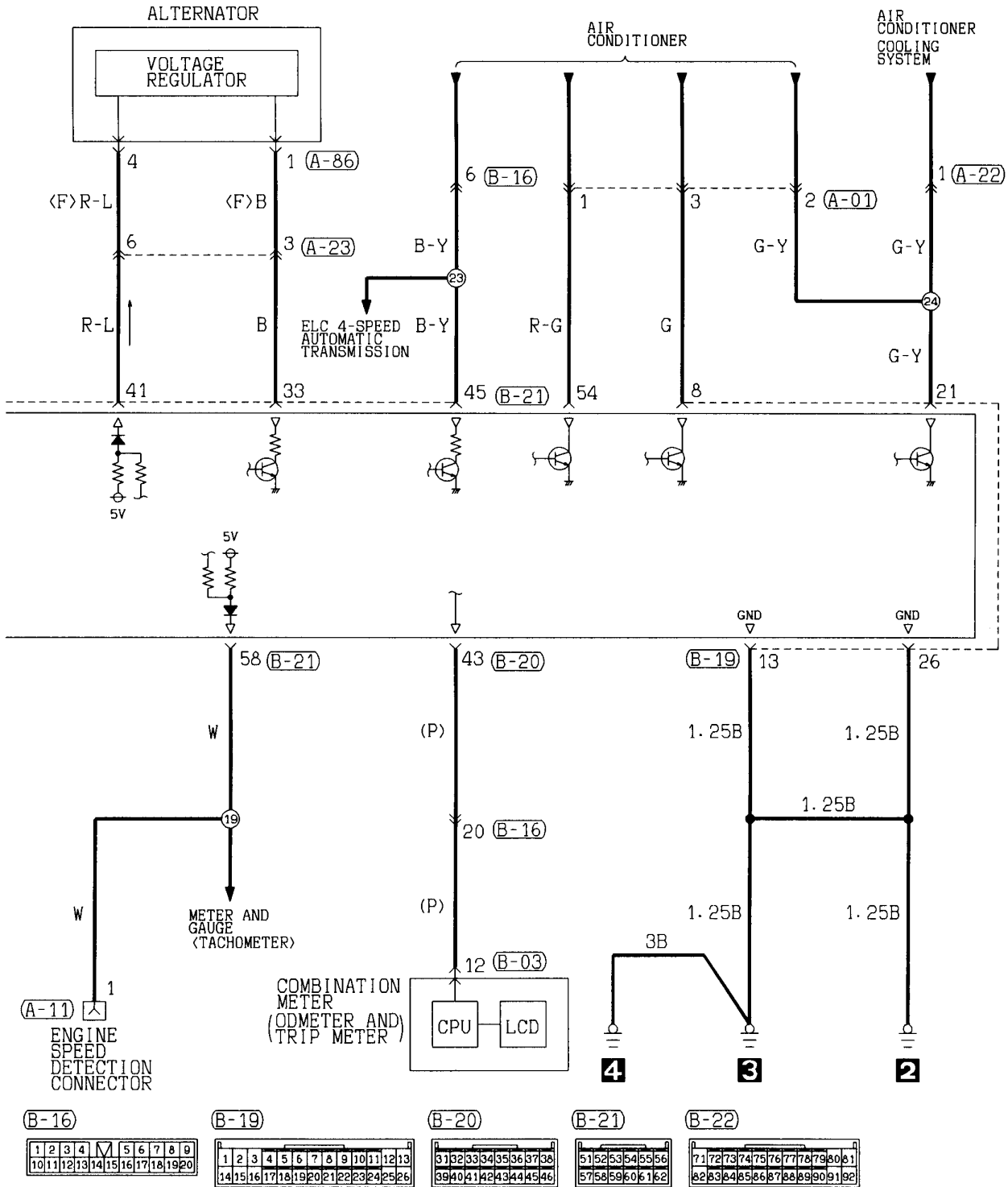
(B-21)

51	52	53	54	55	56
57	58	59	60	61	62

Wire colour code
 B :Black LG:Light green G :Green L :Blue W :White Y :Yellow SB:Sky blue
 BR:Brown O :Orange GR:Gray R :Red P :Pink V :Violet

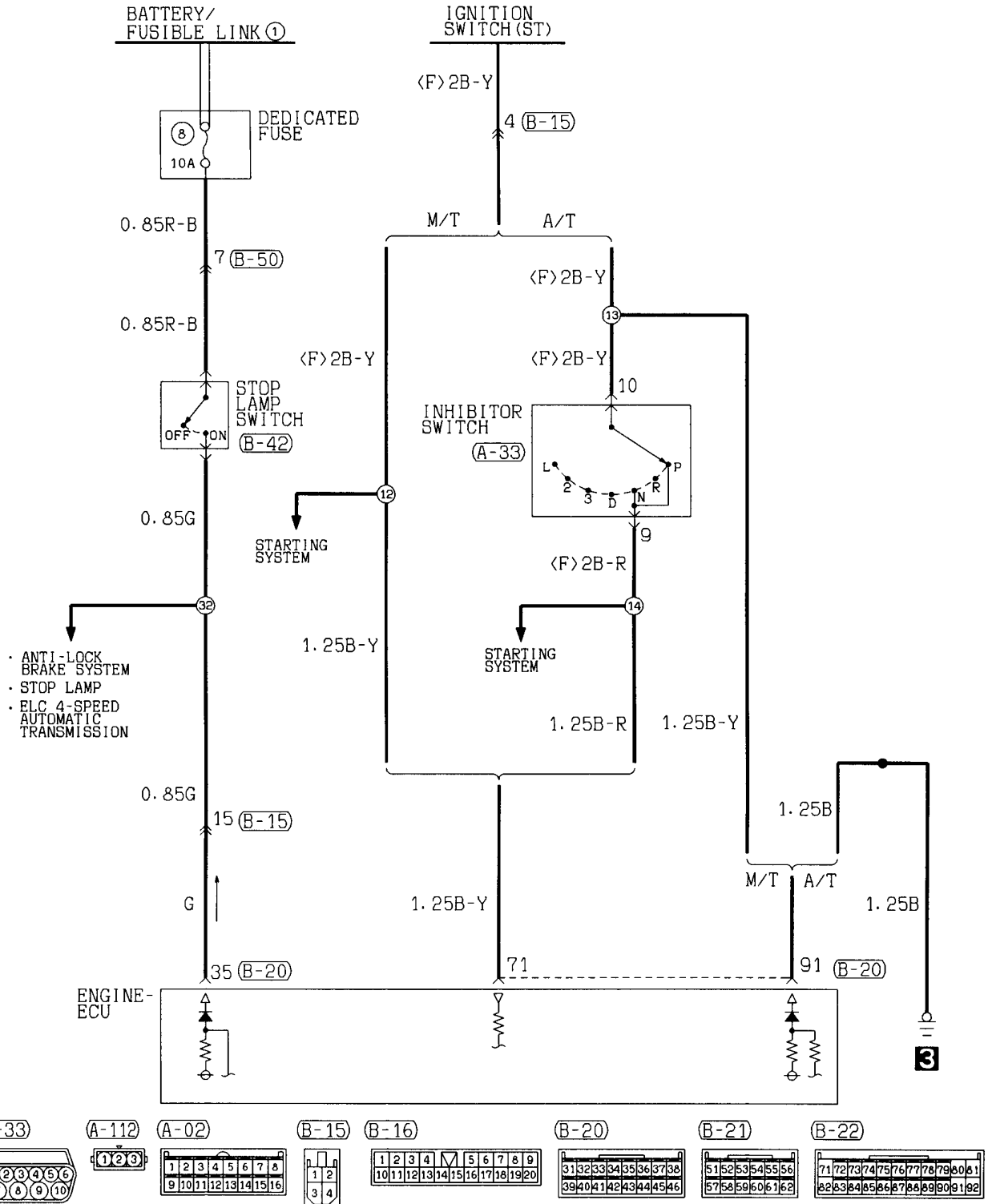
MPI SYSTEM <GDI> (CONTINUED)

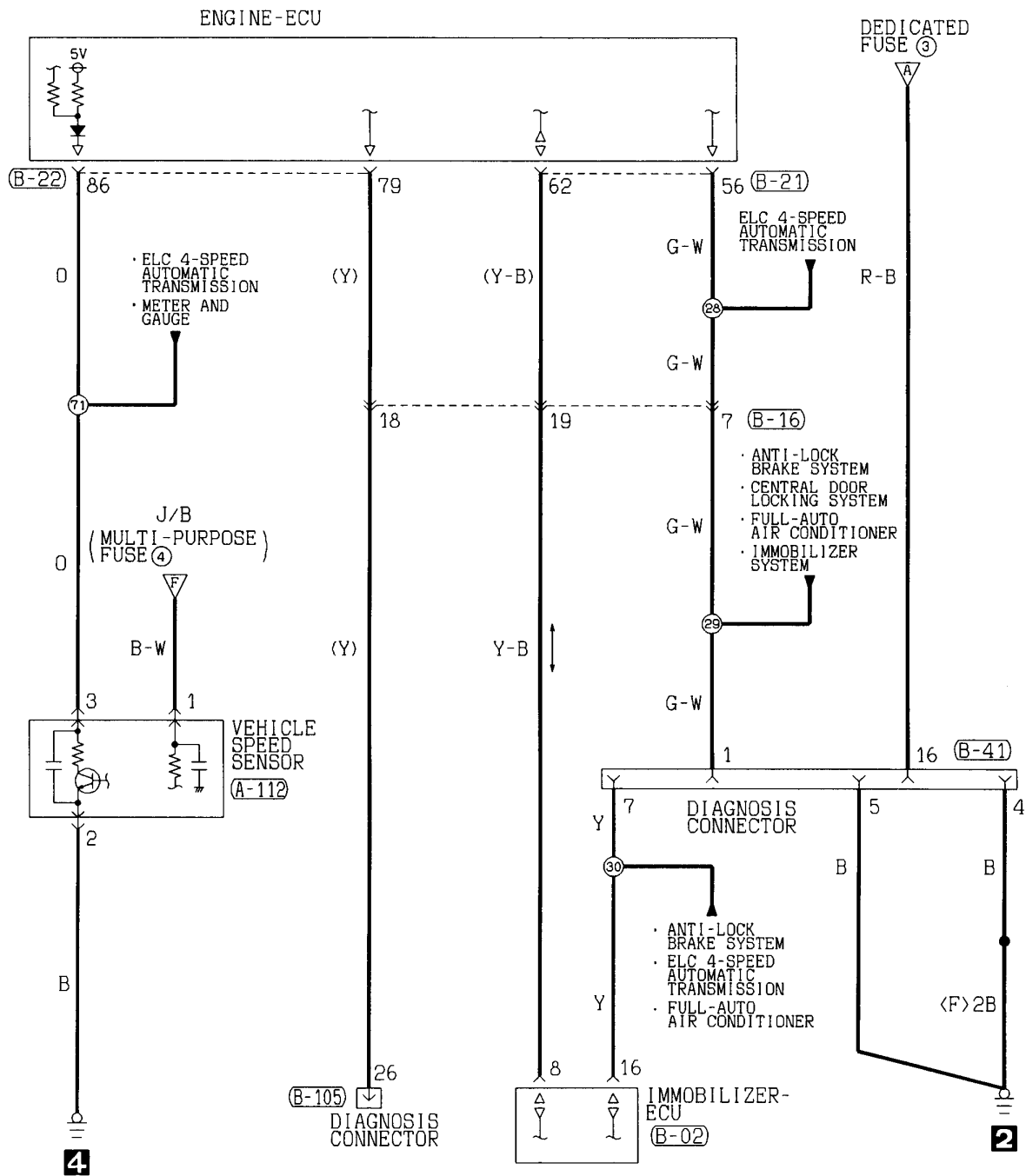




Wire colour code
 B : Black LG : Light green G : Green L : Blue W : White Y : Yellow SB : Sky blue
 BR : Brown O : Orange GR : Gray R : Red P : Pink V : Violet

MPI SYSTEM <GDI> (CONTINUED)





(B-41) FRONT SIDE

1	2	3	4	5	6	7	8
9	10	11	12	13	14	15	16

(B-42) (B-50)

1	2	3
---	---	---

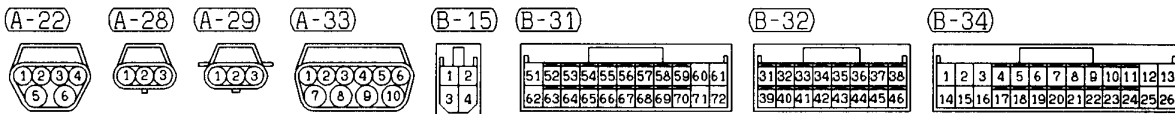
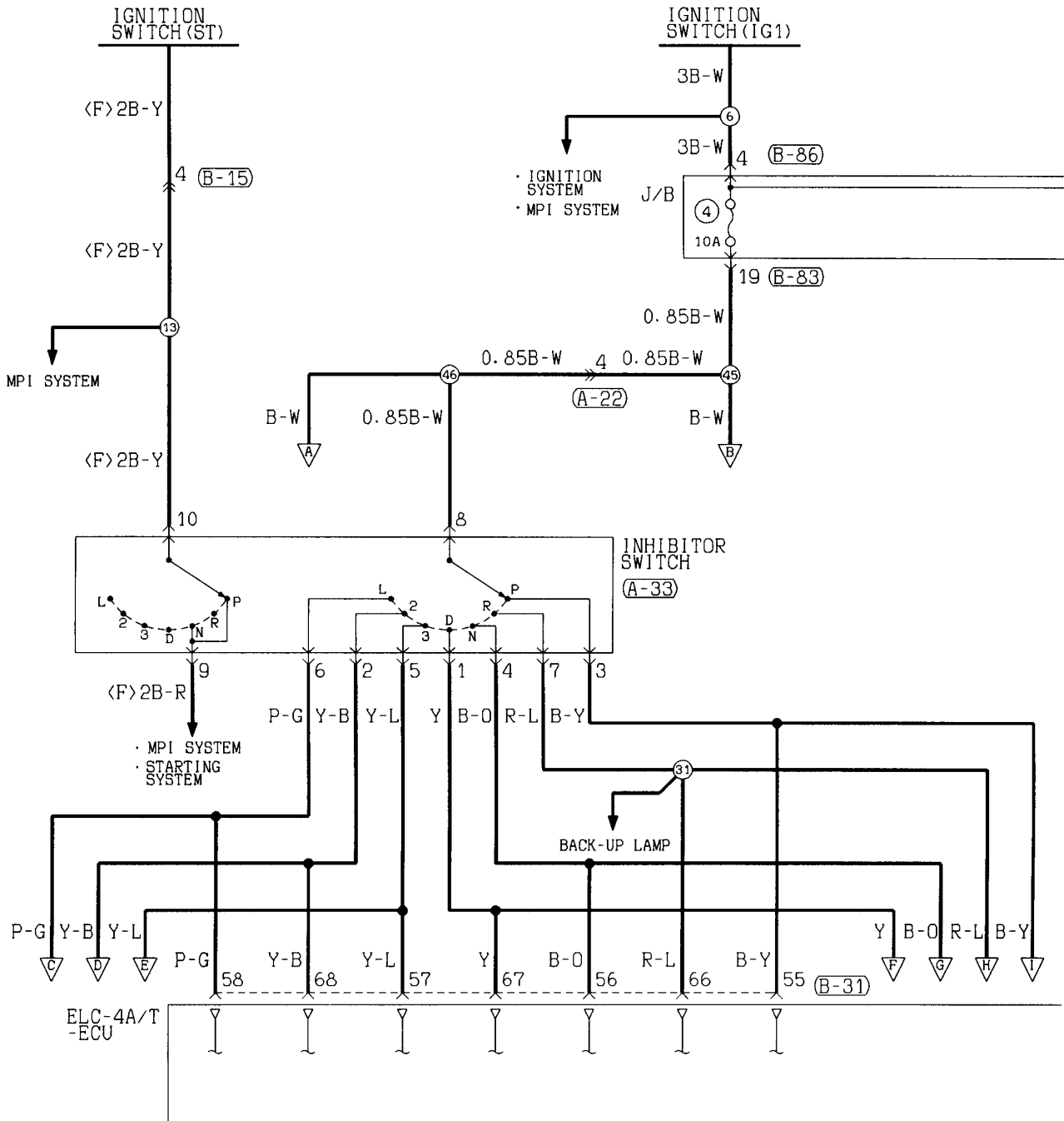
1	2	3	4	5	6	7	8	9	10		
11	12	13	14	15	16	17	18	19	20	21	22

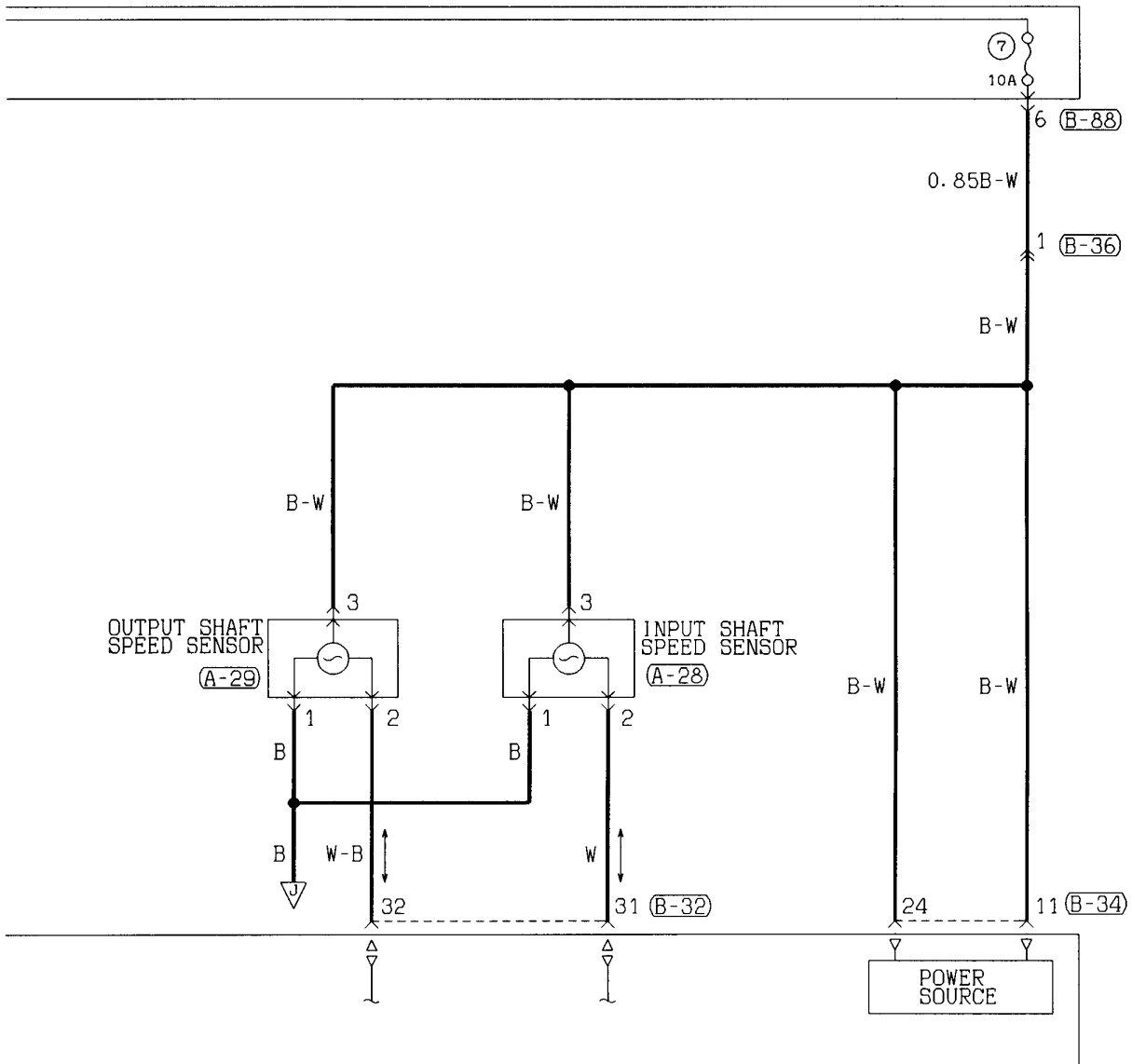
(B-105) FRONT SIDE

25	24	23	22	21		
32	31	30	29	28	27	26

Wire colour code
 B : Black LG: Light green G : Green L : Blue W : White Y : Yellow SB: Sky blue
 BR: Brown O : Orange GR: Gray R : Red P : Pink V : Violet

ELC 4-SPEED AUTOMATIC TRANSMISSION
GDI





(B-36)

1	2	3	4	5	6
7	8	9	10	11	12
13	14				

(B-83)

1	2	3	4	5	6	7	8	9
10	11	12	13	14	15	16	17	18
19	20							

(B-86)

1	2	3	4	5	6	7	8
9	10	11	12	13	14	15	16
17	18						

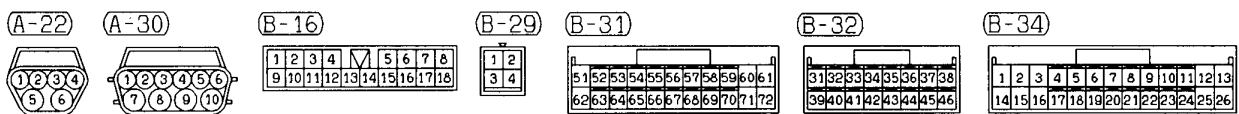
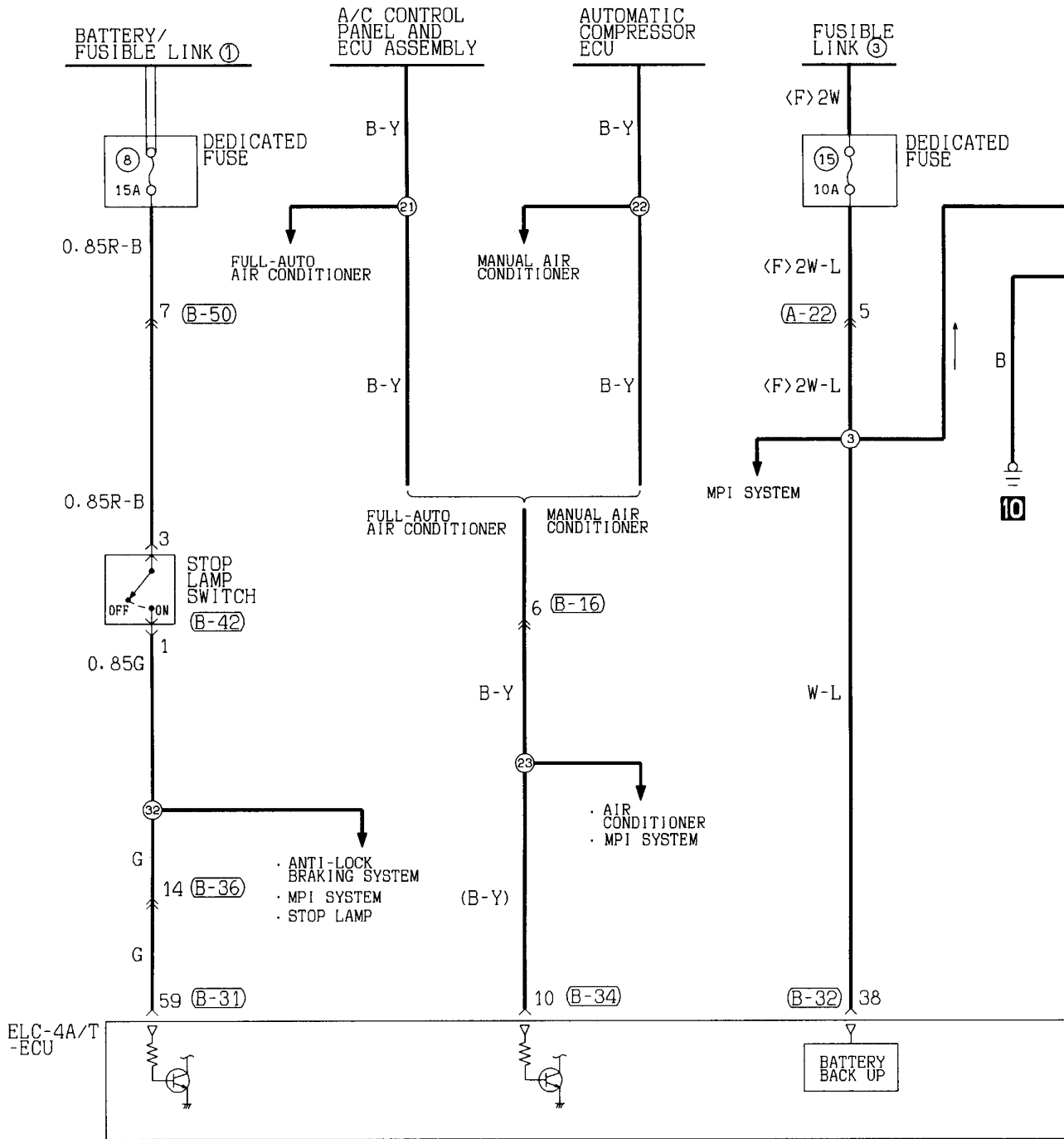
(B-88)

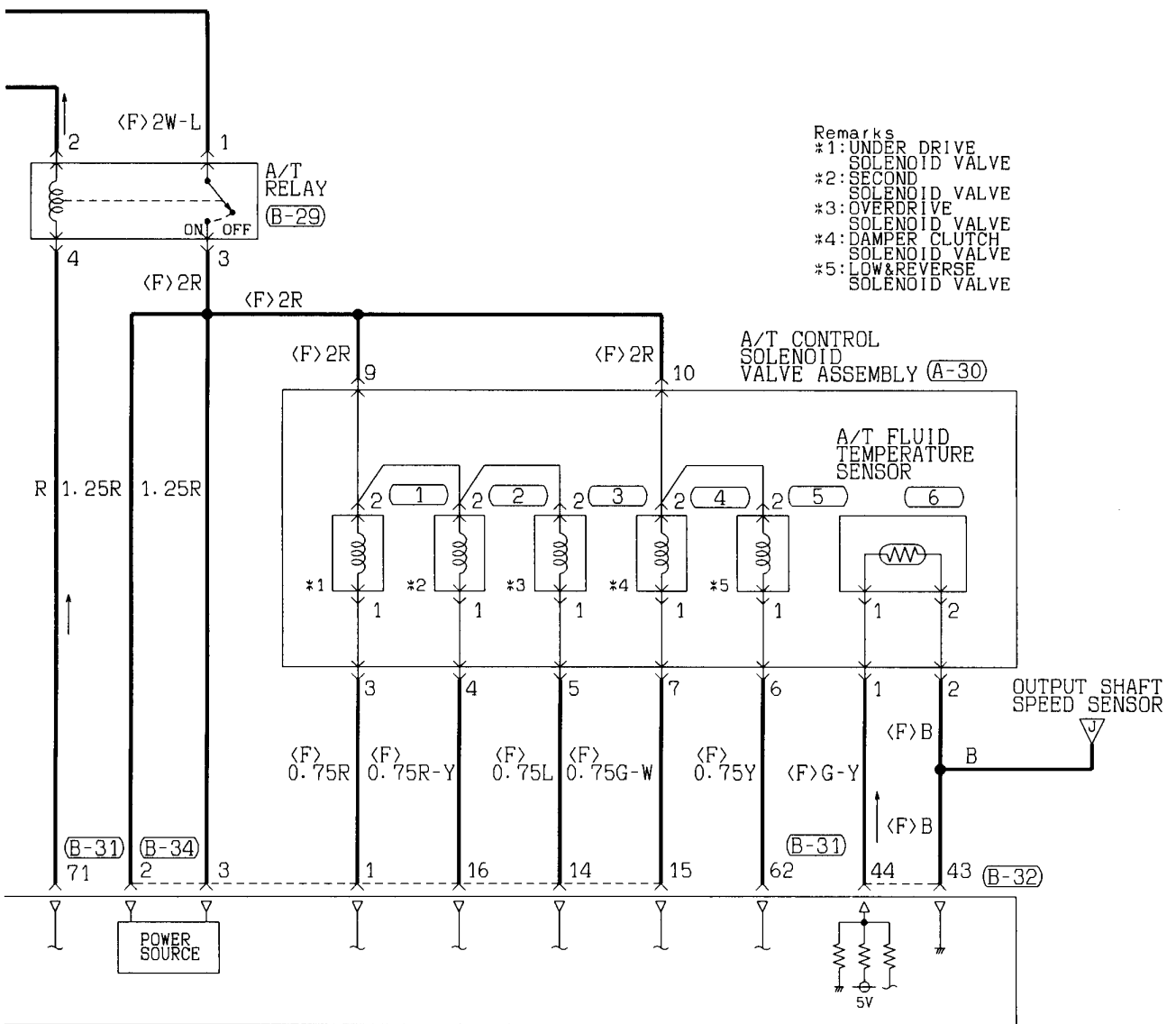
1	2	3	4	5	6	7	8	9	10
11	12	13	14	15	16	17	18	19	20
21	22								

Wire colour code

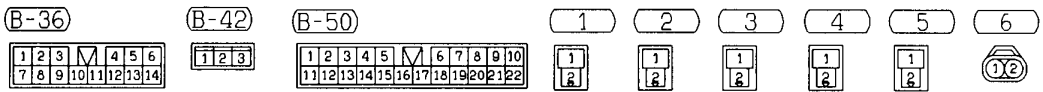
B :Black LG:Light green G :Green L :Blue W :White Y :Yellow SB:Sky blue
 BR:Brown O :Orange GR:Gray R :Red P :Pink V :Violet

ELC 4-SPEED AUTOMATIC TRANSMISSION <GDI> (CONTINUED)



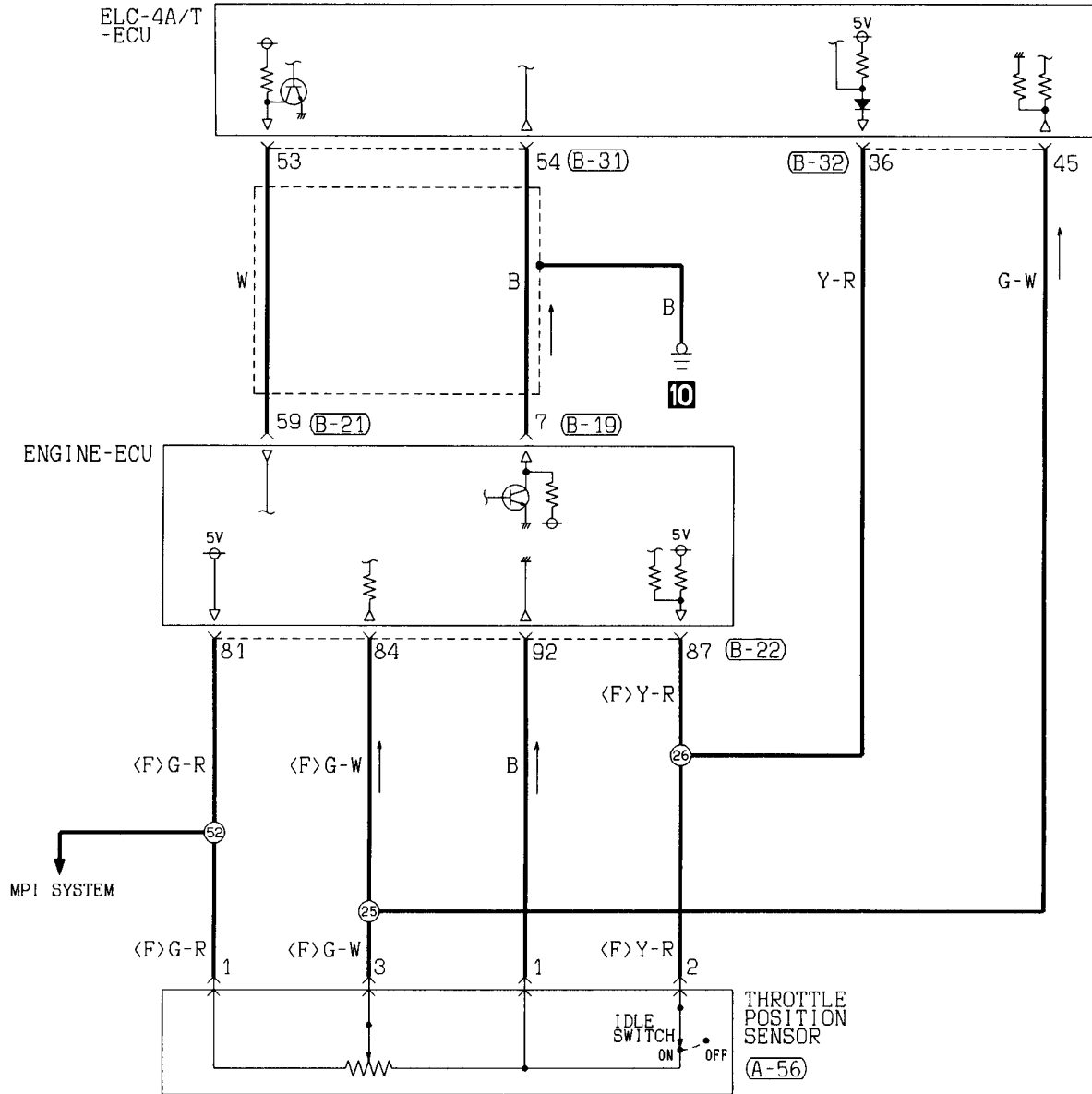


Remarks
 *1: UNDER DRIVE SOLENOID VALVE
 *2: SECOND SOLENOID VALVE
 *3: OVERDRIVE SOLENOID VALVE
 *4: DAMPER CLUTCH SOLENOID VALVE
 *5: LOW&REVERSE SOLENOID VALVE



Wire colour code
 B: Black LG: Light green G: Green L: Blue W: White Y: Yellow SB: Sky blue
 BR: Brown O: Orange GR: Gray R: Red P: Pink V: Violet

ELC 4-SPEED AUTOMATIC TRANSMISSION <GDI> (CONTINUED)



(A-56)

1	2	3	4
---	---	---	---

(B-19)

1	2	3	4	5	6	7	8	9	10	11	12	13
14	15	16	17	18	19	20	21	22	23	24	25	26

(B-21)

51	52	53	54	55	56
57	58	59	60	61	62

(B-22)

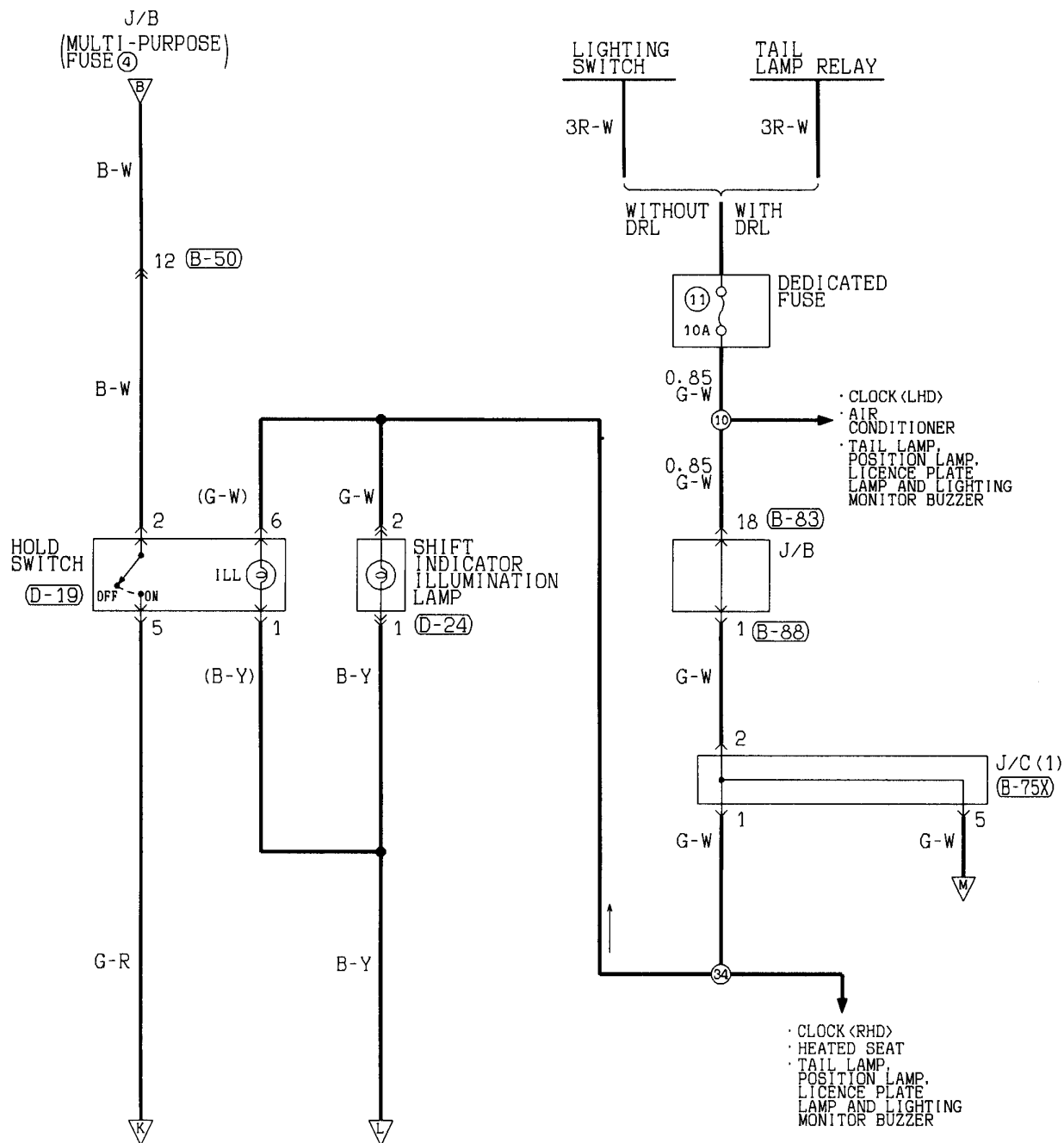
71	72	73	74	75	76	77	78	79	80	81
82	83	84	85	86	87	88	89	90	91	92

(B-31)

51	52	53	54	55	56	57	58	59	60	61
62	63	64	65	66	67	68	69	70	71	72

(B-32)

31	32	33	34	35	36	37	38
39	40	41	42	43	44	45	46



(B-50)

1	2	3	4	5	M	6	7	8	9	10	
11	12	13	14	15	16	17	18	19	20	21	22

(B-75X)

1	2	3	4	5	6	7	8	9	10	11
12	13	14	15	16	17	18	19	20	21	22
23	24	25	26	27	28	29	30	31	32	33

(B-83)

1	2	3	4	M	5	6	7	8	9	
10	11	12	13	14	15	16	17	18	19	20

(B-88)

1	2	3	4	5	M	6	7	8	9	10	
11	12	13	14	15	16	17	18	19	20	21	22

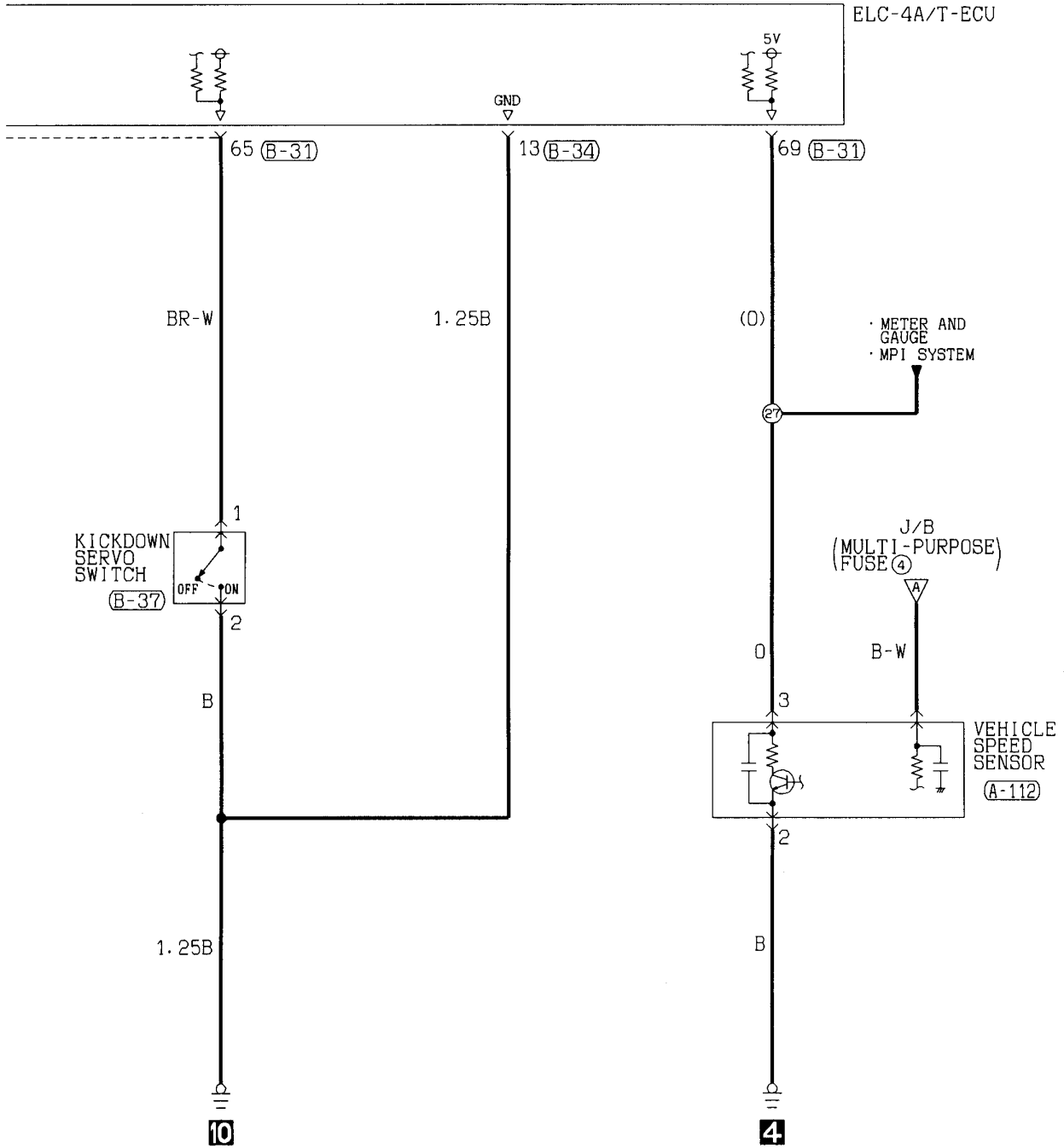
(D-19)

1	M	2	
3	4	5	6

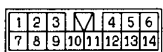
(D-24)

M	1	2
---	---	---

Wire colour code
 B : Black LG:Light green G : Green L : Blue W : White Y : Yellow SB:Sky blue
 BR:Brown O : Orange GR:Gray R : Red P : Pink V : Violet



(B-36)



(B-37)



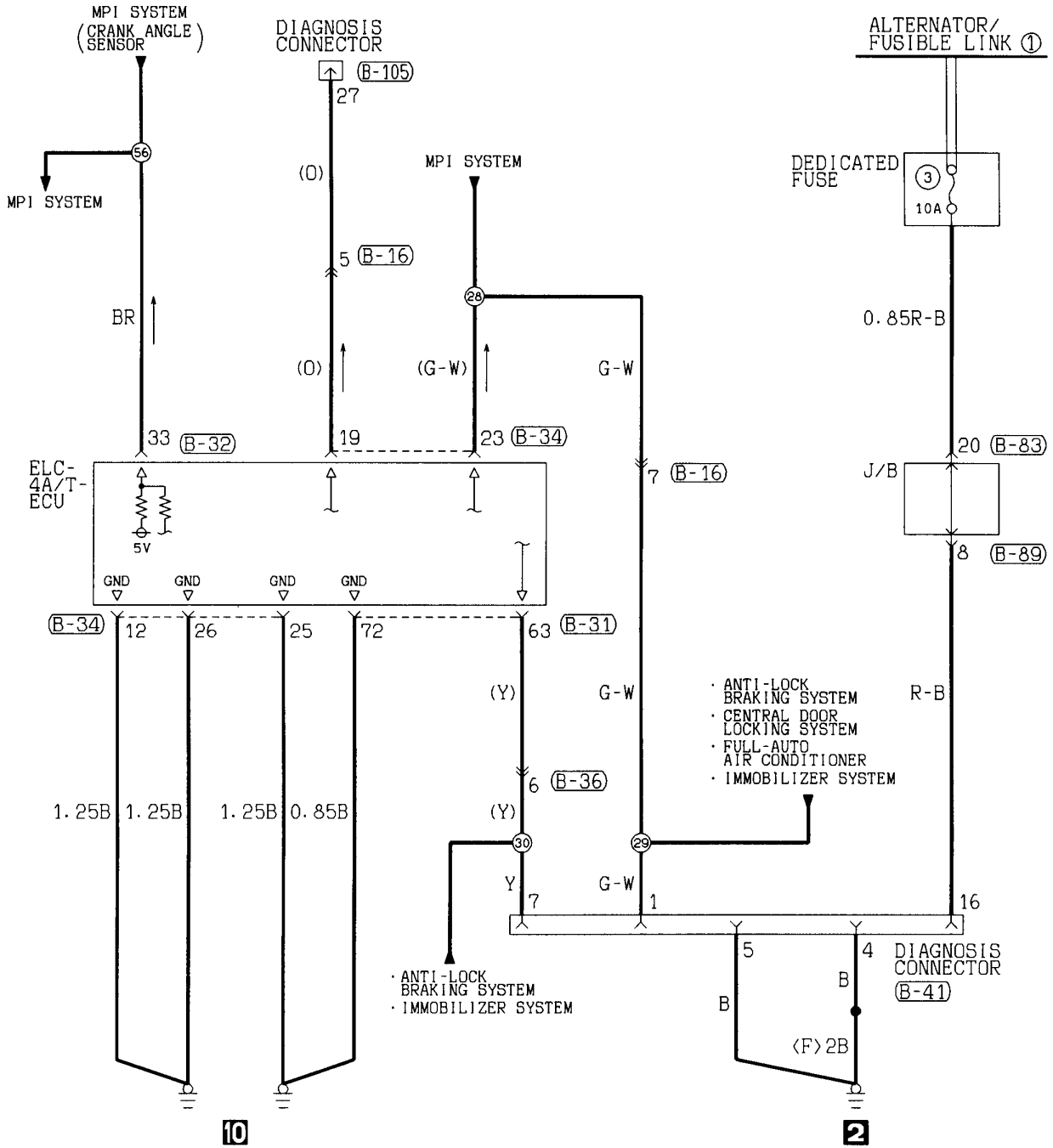
(B-75)



Wire colour code

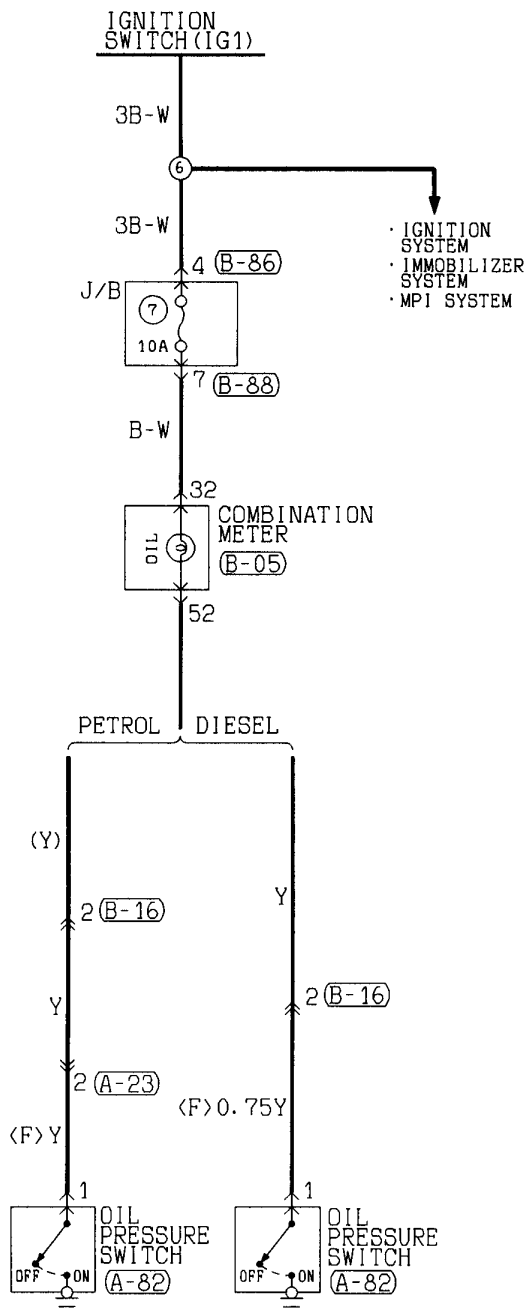
B : Black LG: Light green G : Green L : Blue W : White Y : Yellow SB: Sky blue
 BR: Brown O : Orange GR: Gray R : Red P : Pink V : Violet

ELC 4-SPEED AUTOMATIC TRANSMISSION <GDI> (CONTINUED)



(B-16) 1 2 3 4 M 5 6 7 8 9 10 11 12 13 14 15 16 17 18	(B-31) 51 52 53 54 55 56 57 58 59 60 61 62 63 64 65 66 67 68 69 70 71 72	(B-32) 31 32 33 34 35 36 37 38 39 40 41 42 43 44 45 46	(B-34) 1 2 3 4 5 6 7 8 9 10 11 12 13 14 15 16 17 18 19 20 21 22 23 24 25 26	(B-36) 1 2 3 M 4 5 6 7 8 9 10 11 12 13 14	(B-41) FRONT SIDE 1 2 3 4 5 6 7 8 9 10 11 12 13 14 15 16
(B-83) 1 2 3 4 M 5 6 7 8 9 10 11 12 13 14 15 16 17 18 19 20	(B-89) 1 2 3 4 5 M 6 7 8 9 10 11 12 13 14 15 16 17 18 19 20 21 22	(B-105) FRONT SIDE 25 24 23 22 21 32 31 30 29 28 27 26			

OIL PRESSURE WARNING LAMP



(A-23)
(MPI)

1	2
3	4

(GD1)

1	2	3
4	5	6

(A-82)
(PETROL) (DIESEL)

1

(B-05)

31	32	33	34	35	36	37	38	39	40	41	42
43											
44	45	46	47	48	49	50	51	52	53	54	55

(B-16)

1	2	3	4	M	5	6	7	8	9	
10	11	12	13	14	15	16	17	18	19	20

(B-86)

1	2	3	4	M	5	6	7	8	
9	10	11	12	13	14	15	16	17	18

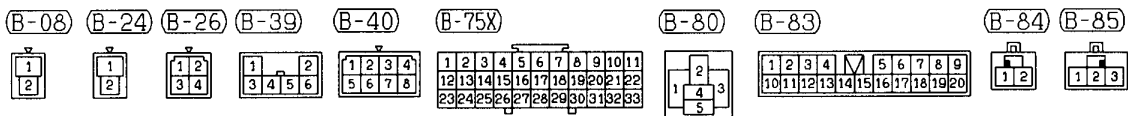
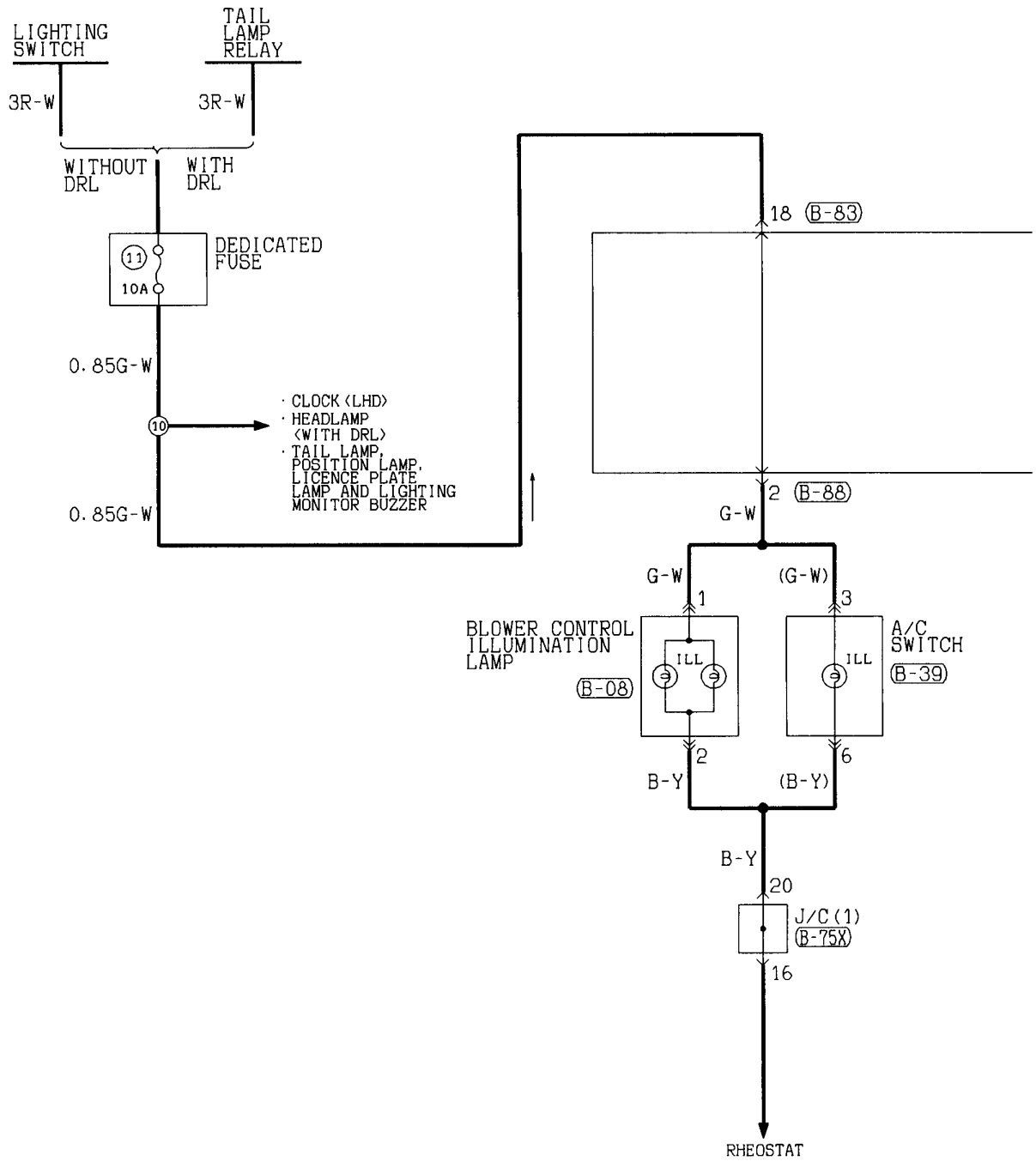
(B-88)

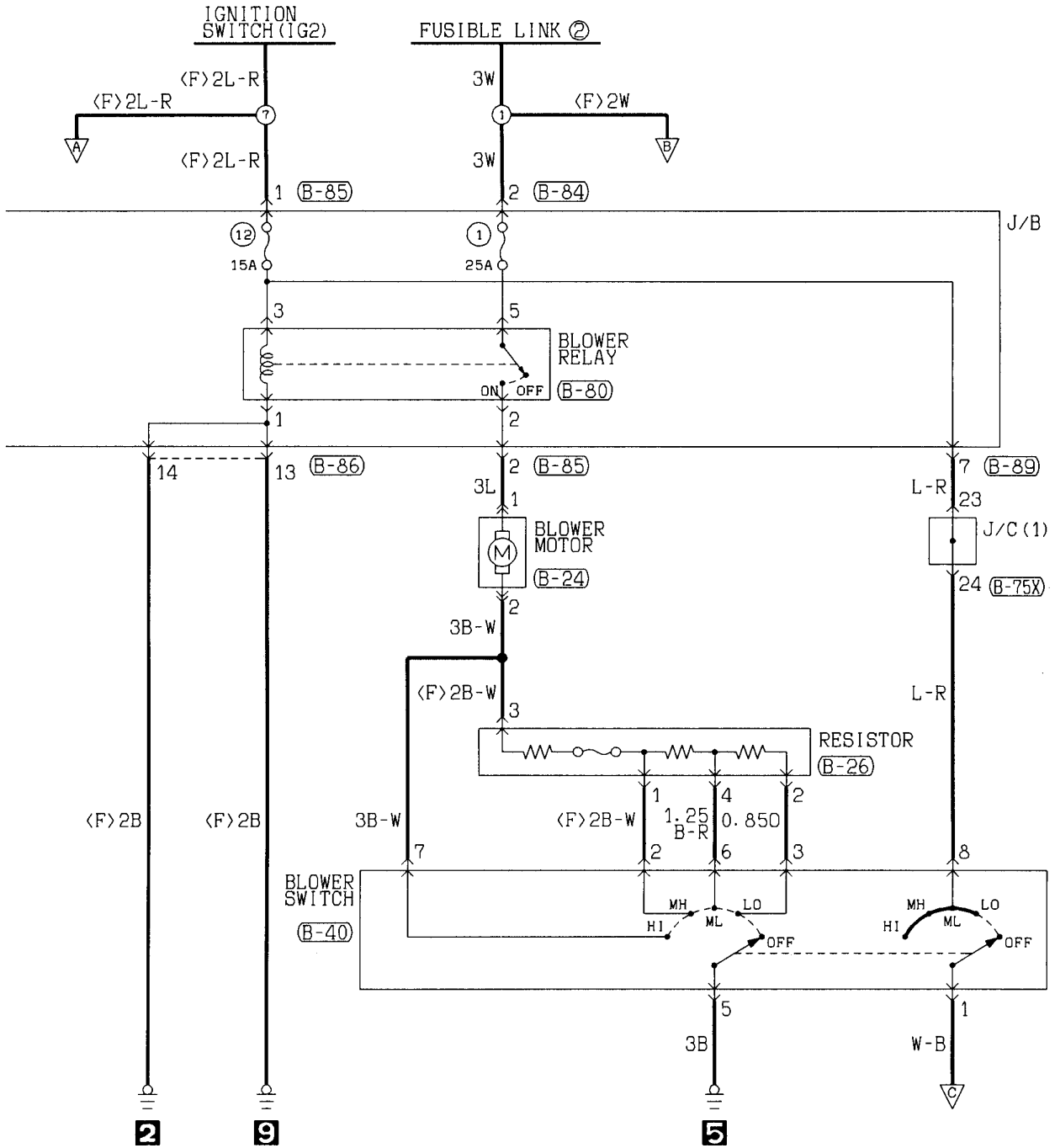
1	2	3	4	5	M	6	7	8	9	10	
11	12	13	14	15	16	17	18	19	20	21	22

Wire colour code
 B : Black LG: Light green G : Green L : Blue W : White Y : Yellow SB: Sky blue
 BR: Brown O : Orange GR: Gray R : Red P : Pink V : Violet

MANUAL AIR CONDITIONER

Petrol-powered vehicles <GDI>

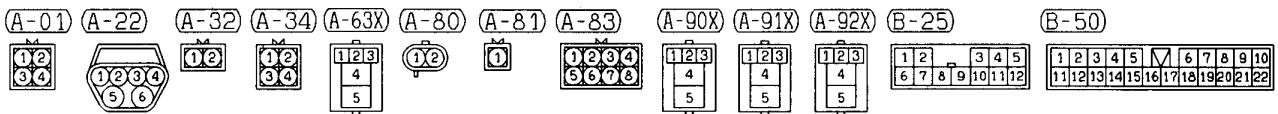
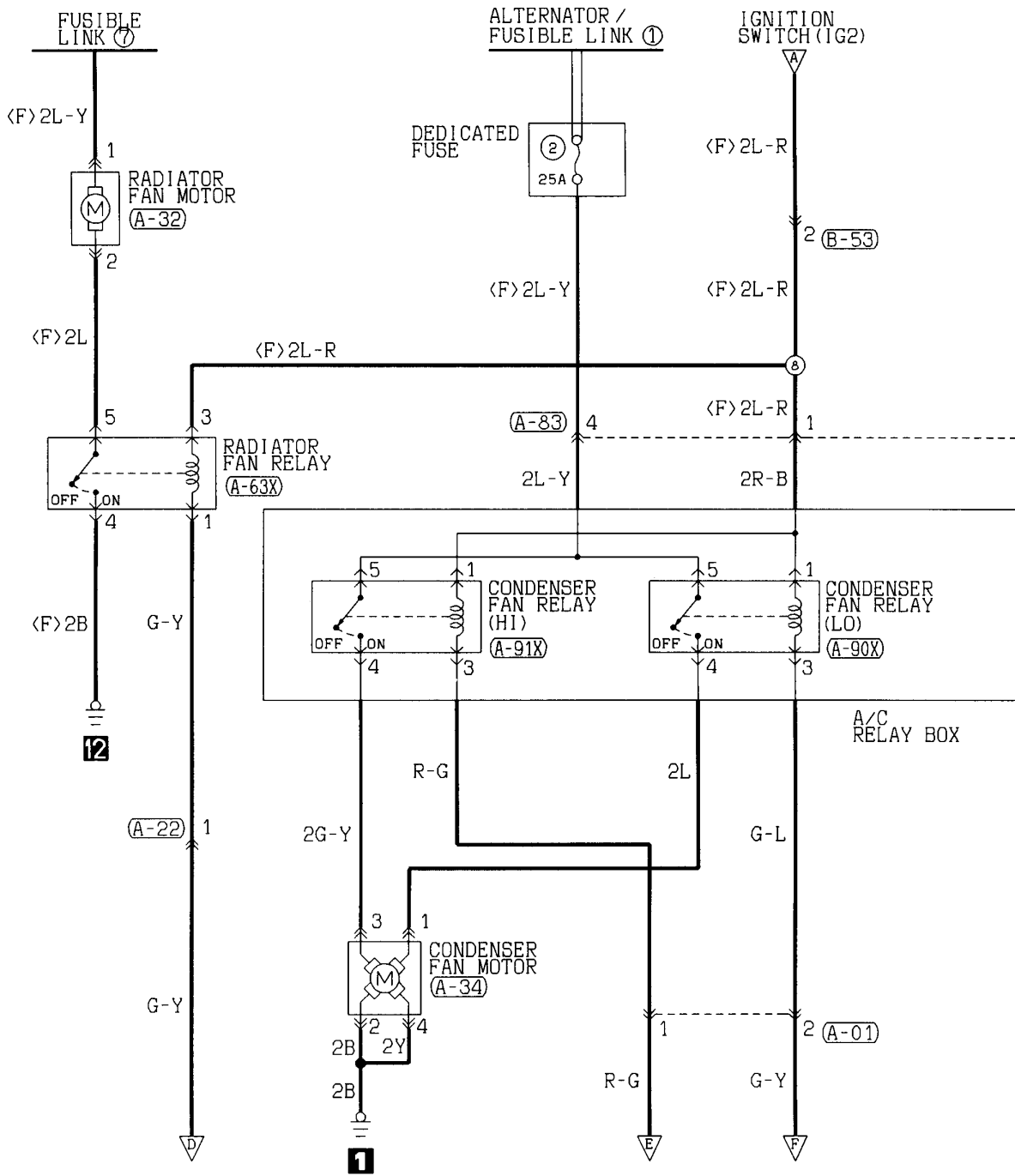


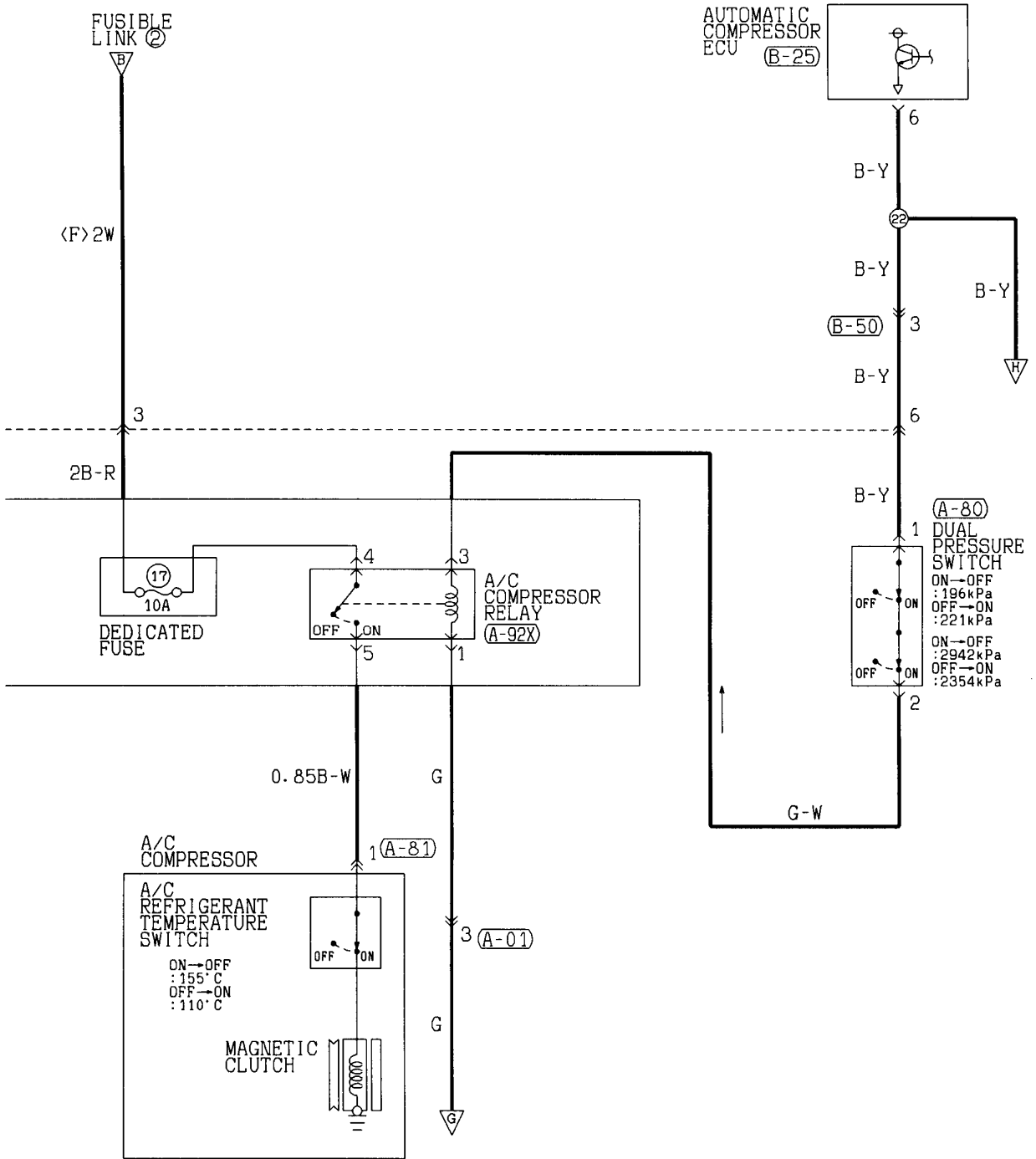


(B-86)	(B-88)	(B-89)
1 2 3 4 M 5 6 7 8 9 10 11 12 13 14 15 16 17 18	1 2 3 4 5 M 6 7 8 9 10 11 12 13 14 15 16 17 18 19 20 21 22	1 2 3 4 5 M 6 7 8 9 10 11 12 13 14 15 16 17 18 19 20 21 22

Wire colour code
 B : Black LG : Light green G : Green L : Blue W : White Y : Yellow SB : Sky blue
 BR : Brown O : Orange GR : Gray R : Red P : Pink V : Violet

MANUAL AIR CONDITIONER <Petrol-powered vehicles (GDI)> (CONTINUED)



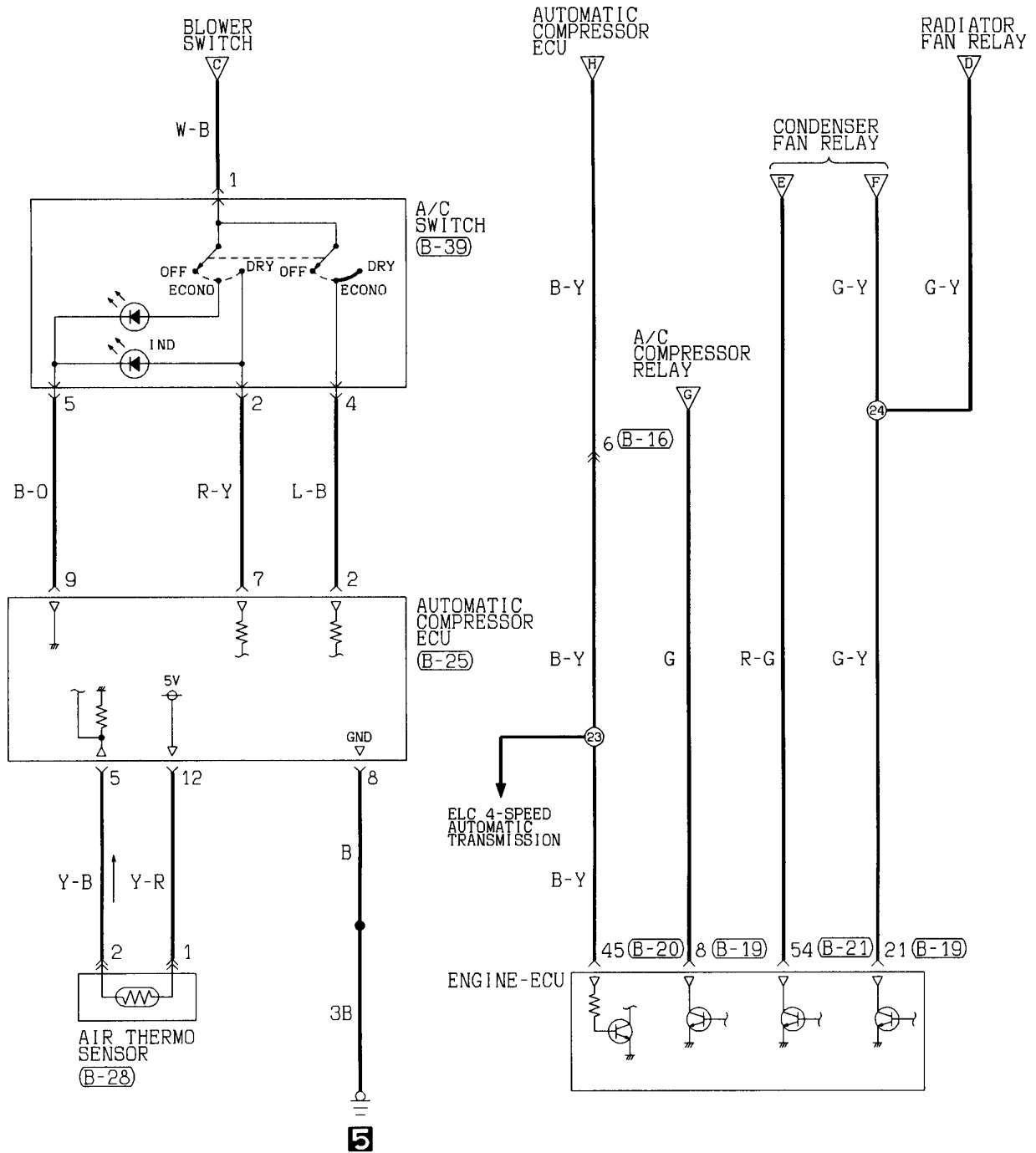


(B-53)

1	2	3	4
5	6	7	8

Wire colour code
 B : Black LG : Light green G : Green L : Blue W : White Y : Yellow SB : Sky blue
 BR : Brown O : Orange GR : Gray R : Red P : Pink V : Violet

MANUAL AIR CONDITIONER <Petrol-powered vehicles (GDI)> (CONTINUED)



(B-16)

1	2	3	4	5	6	7	8	9		
10	11	12	13	14	15	16	17	18	19	20

(B-19)

1	2	3	4	5	6	7	8	9	10	11	12	13
14	15	16	17	18	19	20	21	22	23	24	25	26

(B-20)

31	32	33	34	35	36	37	38
39	40	41	42	43	44	45	46

(B-21)

51	52	53	54	55	56
57	58	59	60	61	62

(B-25)

1	2	3	4	5		
6	7	8	9	10	11	12

(B-28)

1
2

(B-39)

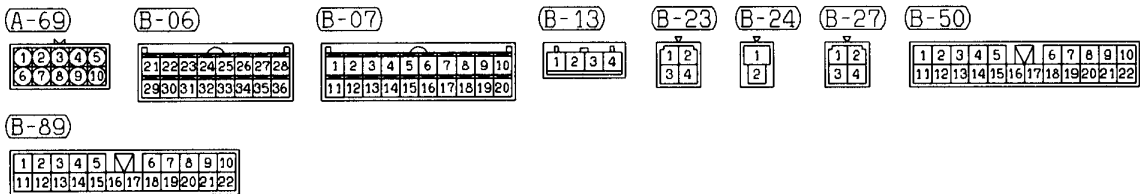
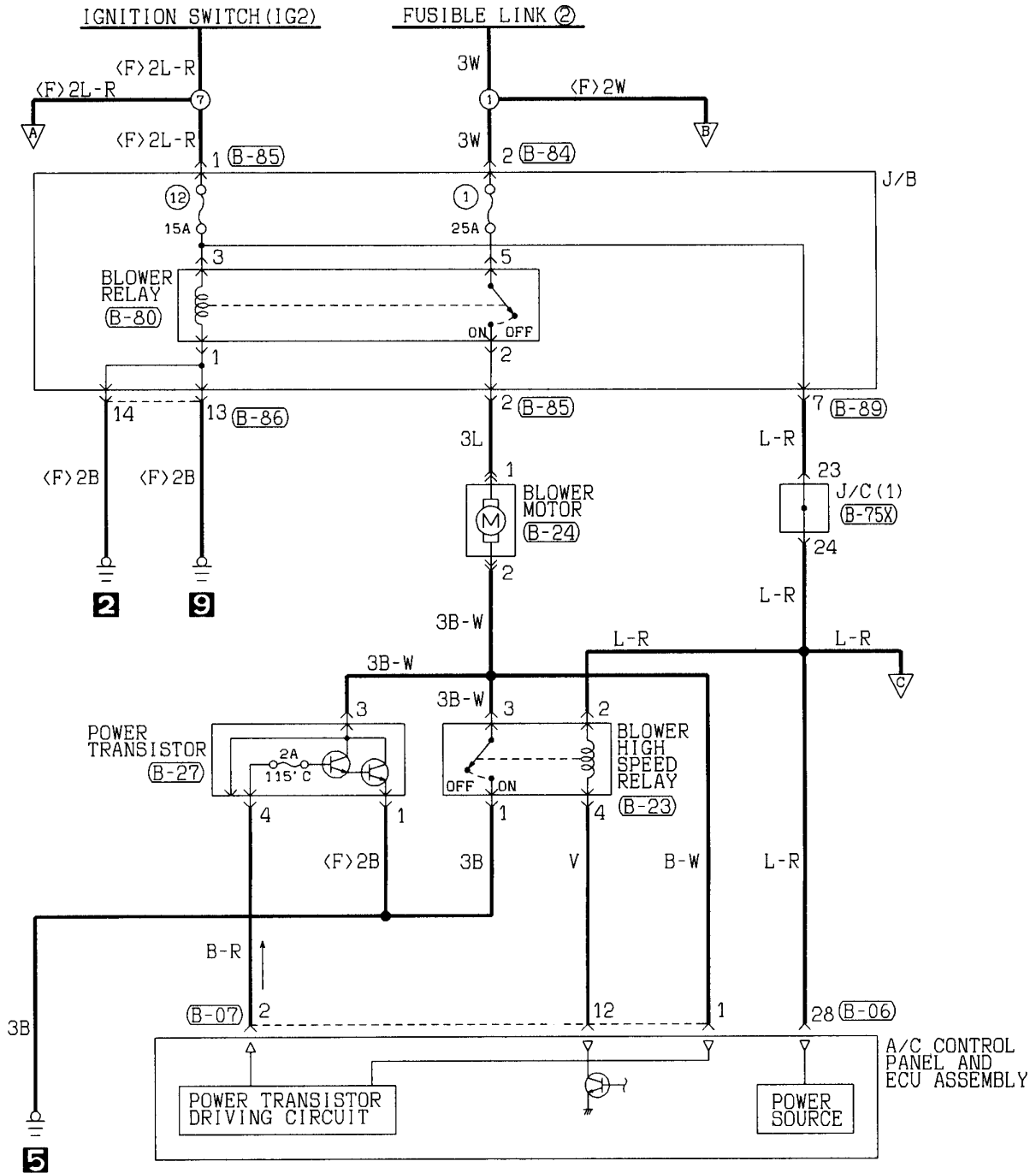
1	2		
3	4	5	6

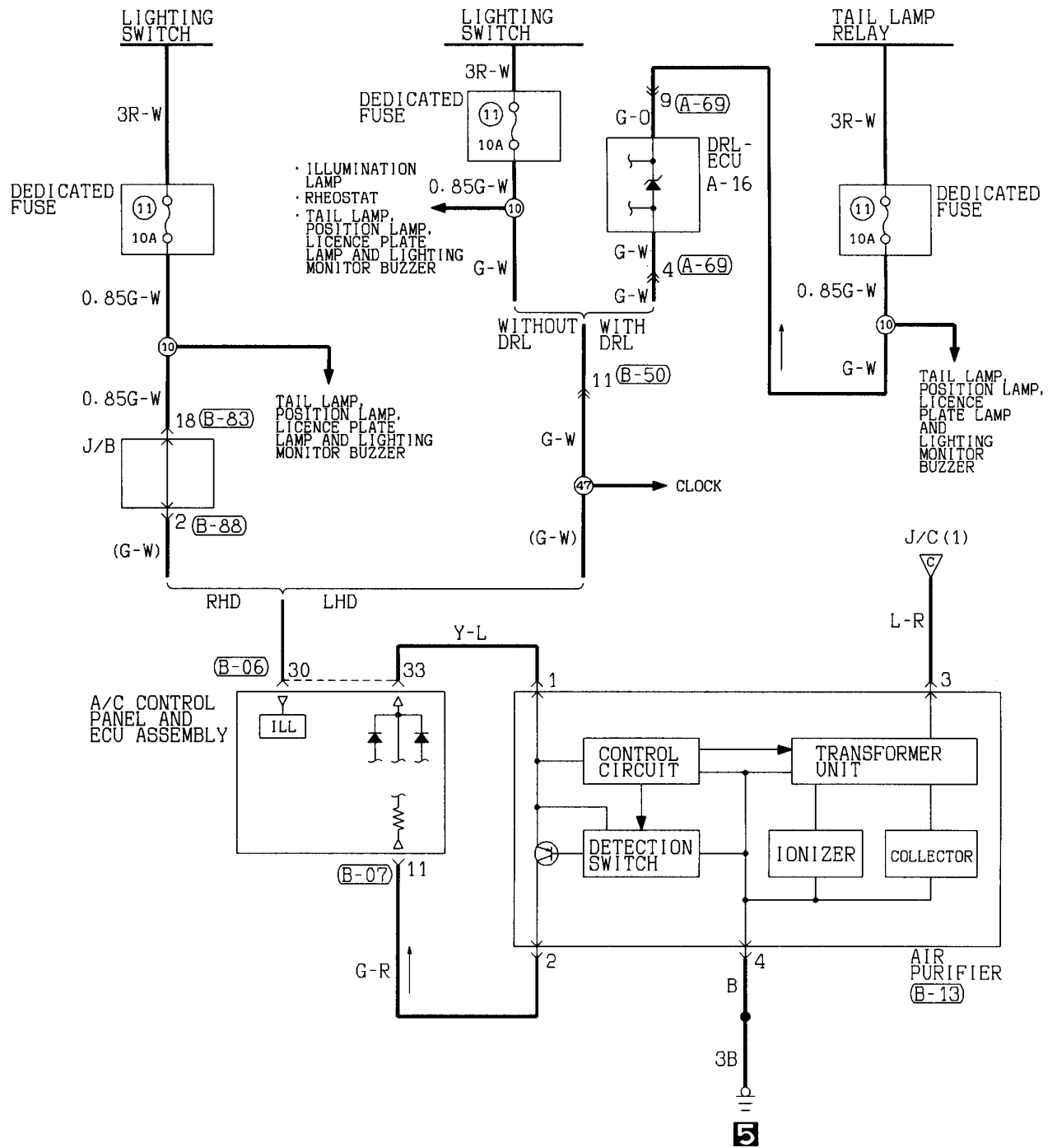
Wire colour code
 B : Black LG: Light green G : Green L : Blue W : White Y : Yellow SB: Sky blue
 BR: Brown O : Orange GR: Gray R : Red P : Pink V : Violet

NOTES

FULL-AUTO AIR CONDITIONER AND AIR PURIFIER

Petrol-powered vehicles <GDI>





(B-75X)

1	2	3	4	5	6	7	8	9	10	11
12	13	14	15	16	17	18	19	20	21	22
23	24	25	26	27	28	29	30	31	32	33

(B-80)

2		
1	4	3
5		

(B-83)

1	2	3	4	5	6	7	8	9		
10	11	12	13	14	15	16	17	18	19	20

(B-84)

1	2
---	---

(B-85)

1	2	3
---	---	---

(B-86)

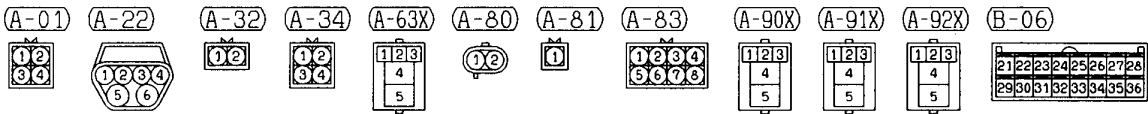
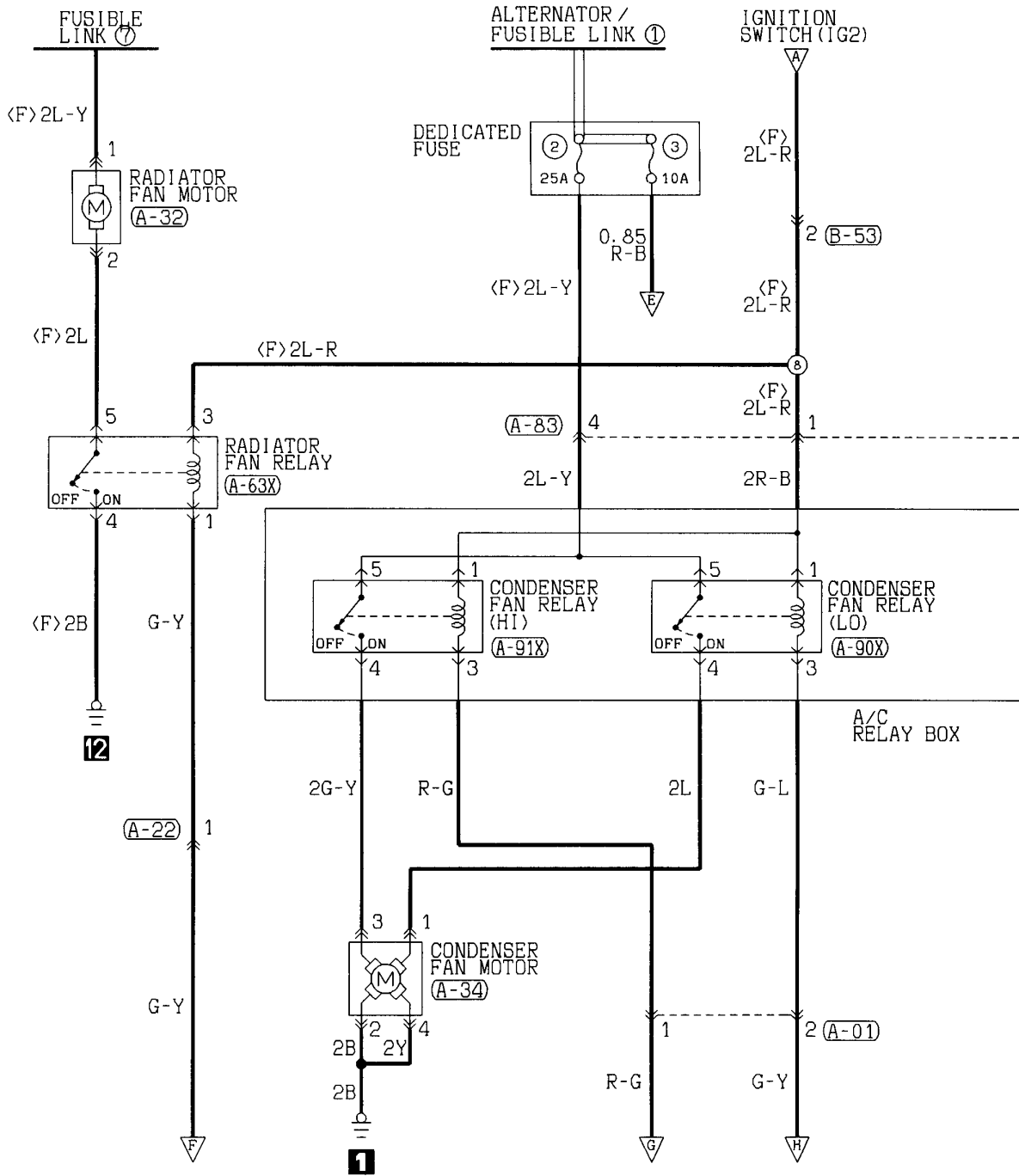
1	2	3	4	5	6	7	8		
9	10	11	12	13	14	15	16	17	18

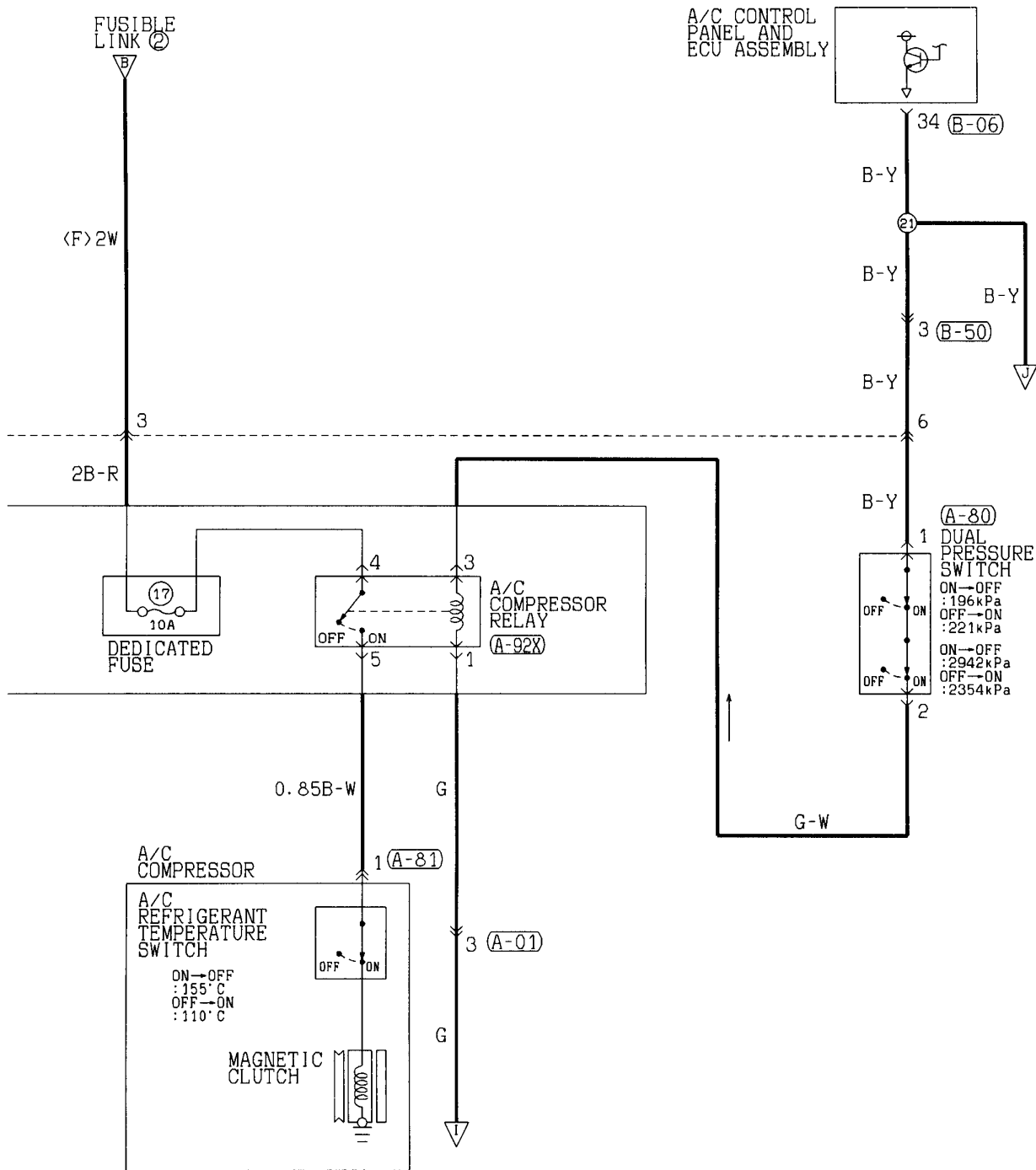
(B-88)

1	2	3	4	5	6	7	8	9	10		
11	12	13	14	15	16	17	18	19	20	21	22

Wire colour code
 B : Black LG:Light green G :Green L :Blue W :White Y :Yellow SB:Sky blue
 BR:Brown O :Orange GR:Gray R :Red P :Pink V :Violet

FULL-AUTO AIR CONDITIONER AND AIR PURIFIER <Petrol-powered vehicles (GDI)> (CONTINUED)





(B-50)

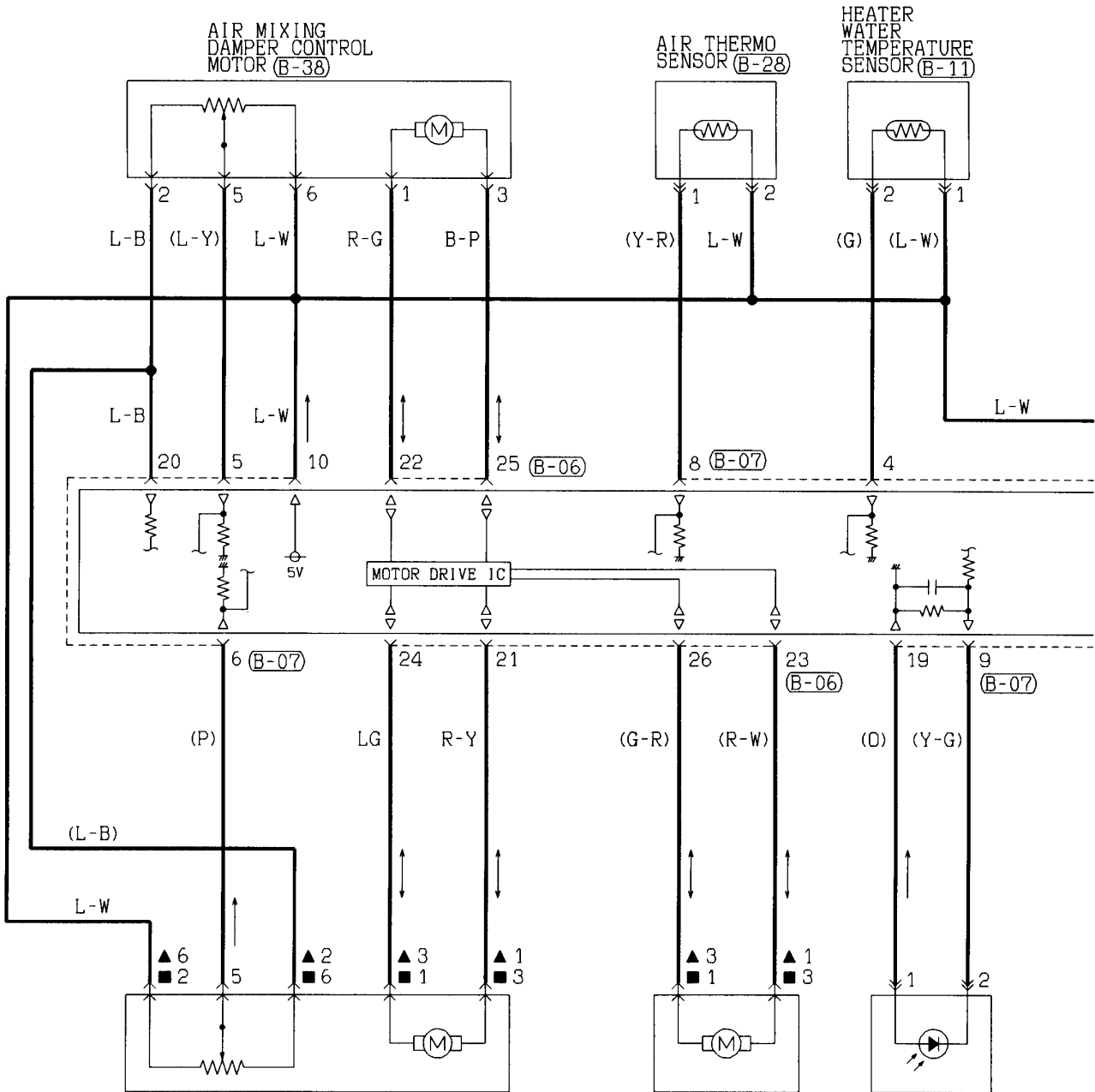
1	2	3	4	5	6	7	8	9	10
11	12	13	14	15	16	17	18	19	20
21	22								

(B-53)

1	2	3	4
5	6	7	8
9	10		

Wire colour code
 B:Black LG:Light green G:Green L:Blue W:White Y:Yellow SB:Sky blue
 BR:Brown O:Orange GR:Gray R:Red P:Pink V:Violet

FULL-AUTO AIR CONDITIONER AND AIR PURIFIER <Petrol-powered vehicles (GDI)> (CONTINUED)

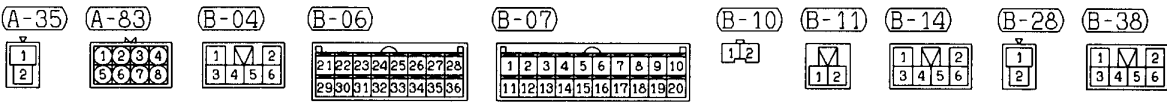


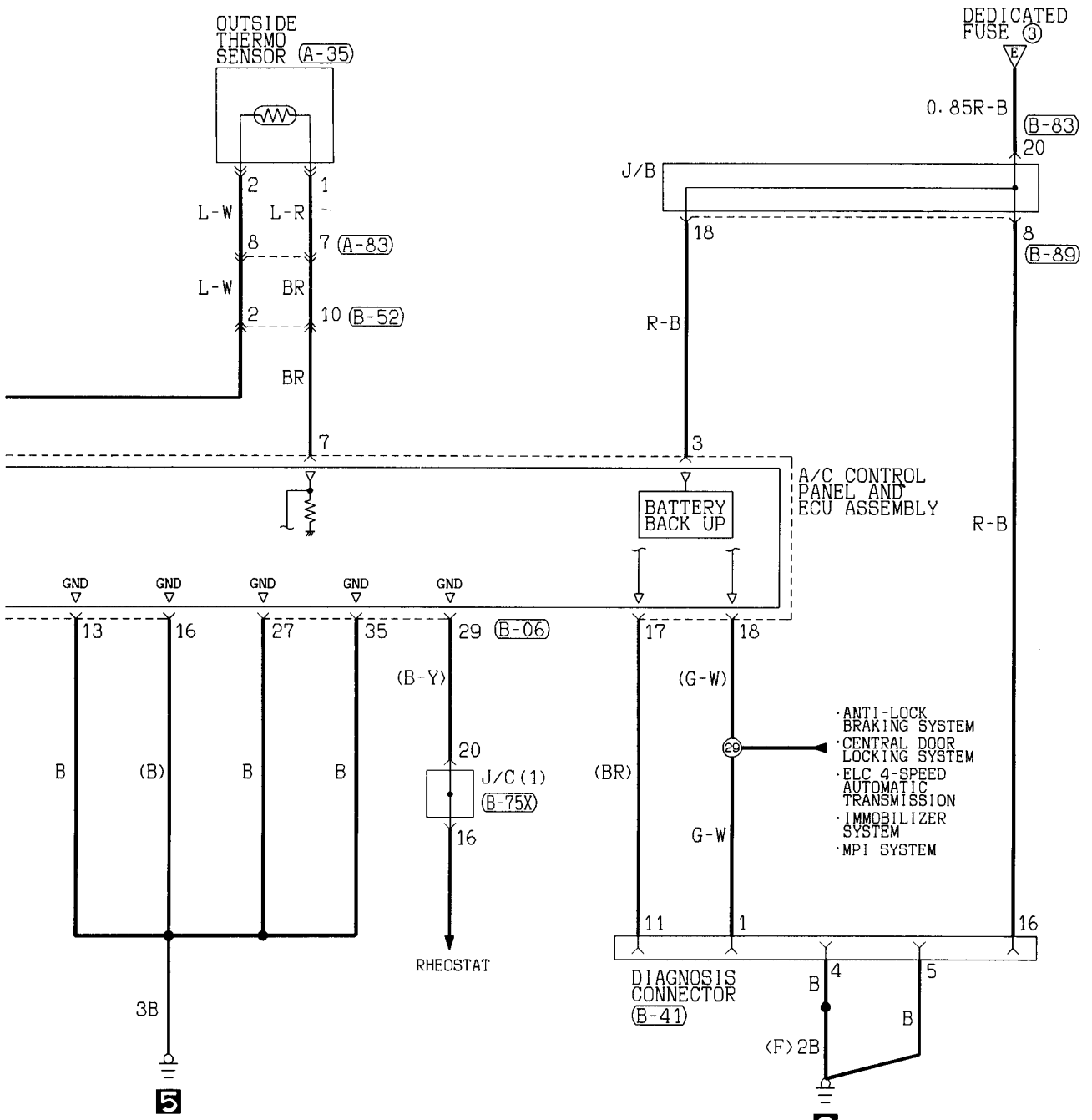
REMARKS
 (1) ▲ :RHD
 (2) ■ :LHD

MODE SELECTION
 DAMPER CONTROL
 MOTOR (B-04)

OUTSIDE/INSIDE
 AIR SELECTION
 DAMPER CONTROL
 MOTOR (B-14)

PHOTO
 SENSOR
 (B-10)





(B-41) FRONT SIDE

1	2	3	4	5	6	7	8
9	10	11	12	13	14	15	16

(B-52)

1	2	3	4	5	6	7	8
9	10	11	12	13	14	15	16

(B-75X)

1	2	3	4	5	6	7	8	9	10	11
12	13	14	15	16	17	18	19	20	21	22
23	24	25	26	27	28	29	30	31	32	33

(B-83)

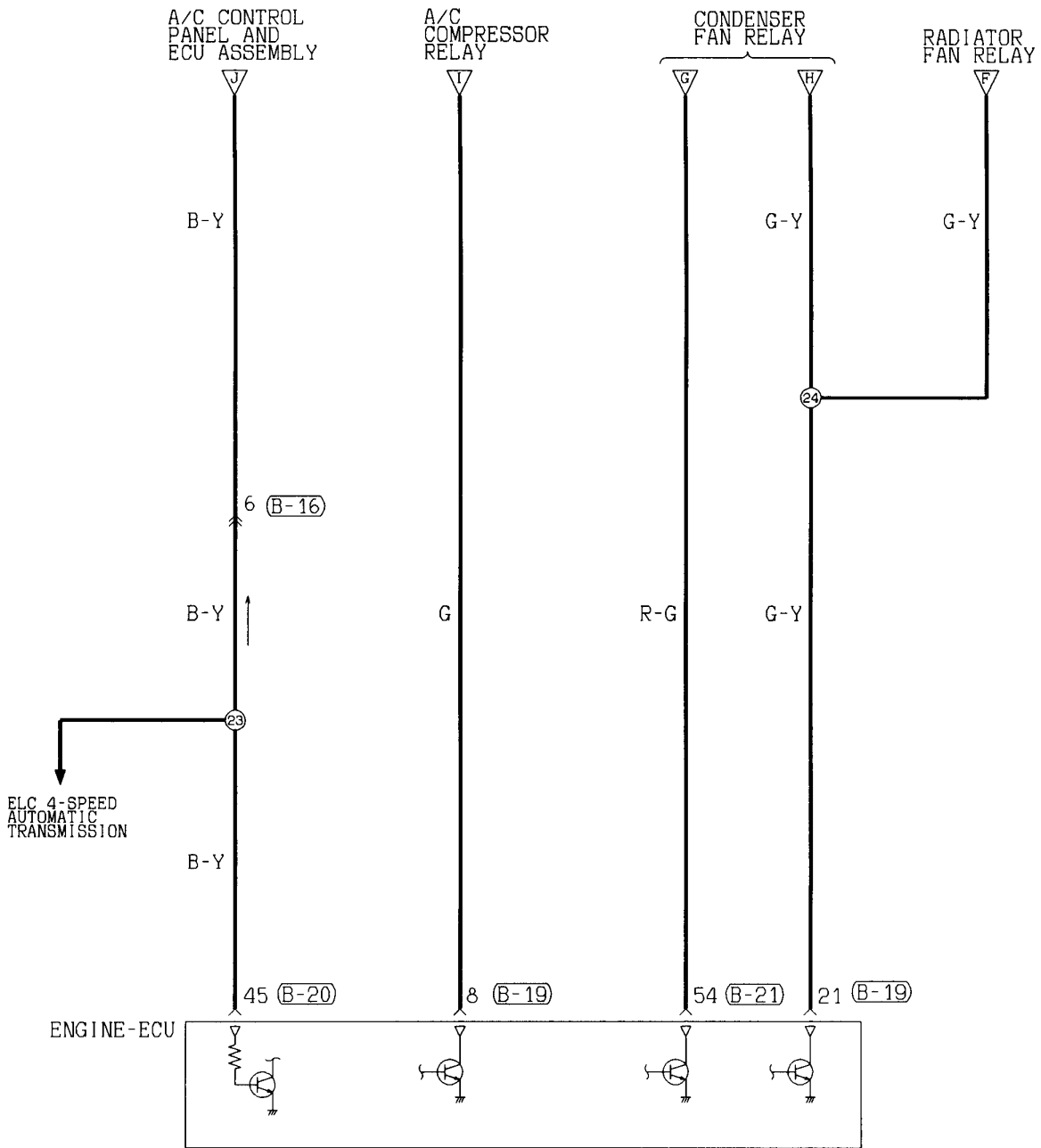
1	2	3	4	5	6	7	8	9
10	11	12	13	14	15	16	17	18

(B-89)

1	2	3	4	5	6	7	8	9	10
11	12	13	14	15	16	17	18	19	20

Wire colour code
 B :Black LG:Light green G :Green L :Blue W :White Y :Yellow SB:Sky blue
 BR:Brown O :Orange GR:Gray R :Red P :Pink V :Violet

FULL-AUTO AIR CONDITIONER AND AIR PURIFIER <Petrol-powered vehicles (GDI)> (CONTINUED)



(B-16)

1	2	3	4	M	5	6	7	8	9	
10	11	12	13	14	15	16	17	18	19	20

(B-19)

1	2	3	4	5	6	7	8	9	10	11	12	13
14	15	16	17	18	19	20	21	22	23	24	25	26

(B-20)

31	32	33	34	35	36	37	38
39	40	41	42	43	44	45	46

(B-21)

51	52	53	54	55	56
57	58	59	60	61	62

Wire colour code
 B : Black LG : Light green G : Green L : Blue W : White Y : Yellow SB : Sky blue
 BR : Brown O : Orange GR : Gray R : Red P : Pink V : Violet