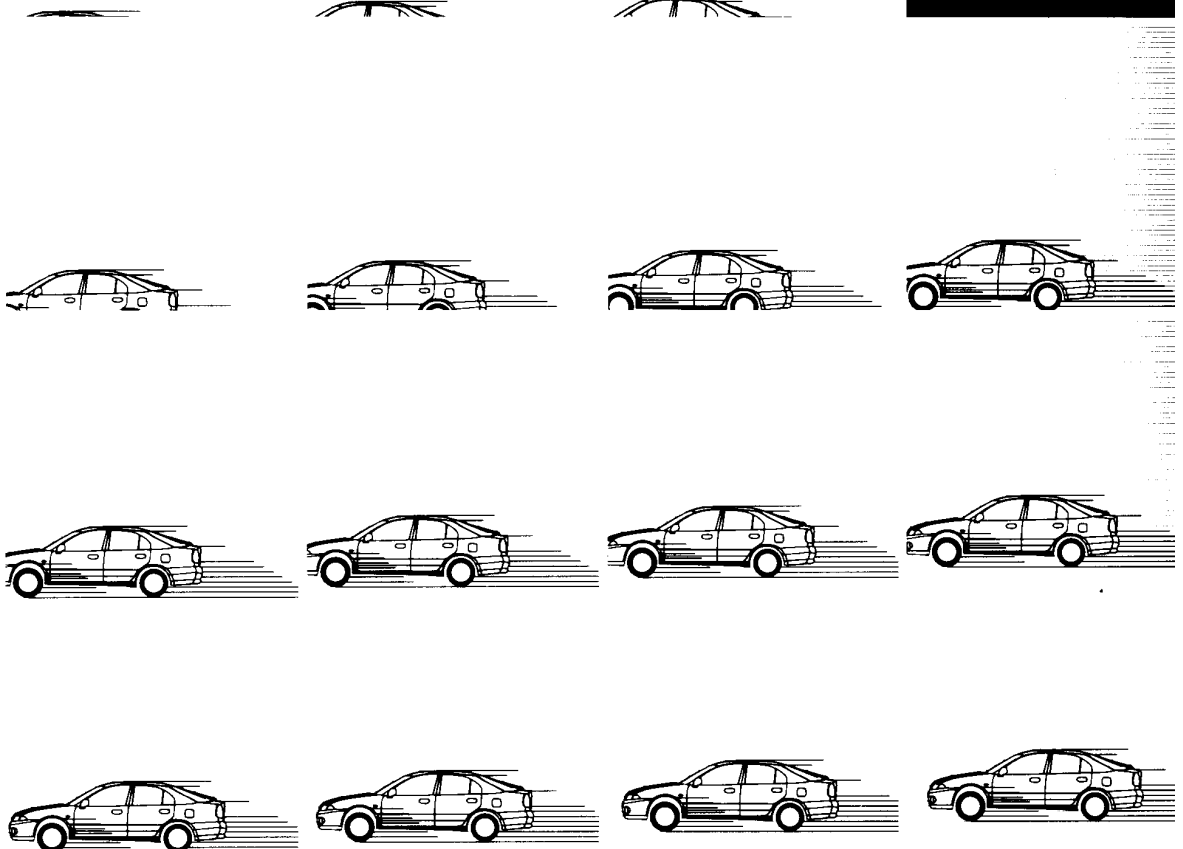
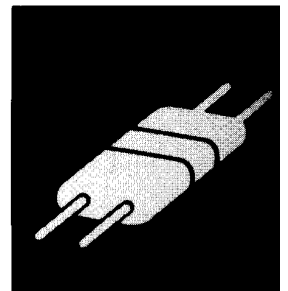




Workshop Manual

electrical wiring SUPPLEMENT

CARISMA '99



CARISMA

ELECTRICAL WIRING SUPPLEMENT

FOREWORD

This publication is a supplement to the Electrical Wiring Manual Pub. No. PHDE9501-A, PHDE9501-B, PHDE9501-C and contains only additions and changes to the original issue. It is recommended that all service mechanics engaged in the servicing of the vehicle refer to the following publications as well as this manual.

TECHNICAL INFORMATION MANUAL

PYGE95E1
PYGE95E1-A (Supplement)
PYGE95E1-B (Supplement)

WORKSHOP MANUAL

CHASSIS GROUP

PWDE9502
PWDE9502-A (Supplement)
PWDE9502-B (Supplement)
PWDE9502-C (Supplement)
PWDE9502-D (Supplement)

ELECTRICAL WIRING

PHDE9501-A (Supplement)
PHDE9501-B (Supplement)
PHDE9501-C (Supplement)

BODY REPAIR MANUAL

PBGE95E1
PBGE95E1-A (Supplement)

ENGINE GROUP

PWEE□□□□
(Looseleaf edition)

PARTS CATALOGUE

N606C006D□

All information, illustrations and product descriptions contained in this manual are current as at the time of publication. We however, reserve the right to make changes at any time without prior notice or obligation.

 **MITSUBISHI MOTOR SALES**
Europe B.V.

GROUP INDEX

OUTLINE OF CHANGES

HOW TO READ THE WIRING
DIAGRAMS

WIRING HARNESS
CONFIGURATION DIAGRAMS ...

SINGLE PART INSTALLATION
POSITION

CIRCUIT DIAGRAM

1

2

3

4

HOW TO USE THIS MANUAL

CONTENTS

The preceding page contains GROUP INDEX that lists the group title and group number

PAGE NUMBERS

All page numbers consist of two sets of digits separated by a dash. The digits preceding the dash identify the number of the group. The digits following the dash represent the consecutive page number within the group. The page number can be found on the top left or right of each page.

OPERATION AND TROUBLESHOOTING HINTS

In the GROUP 4 circuit diagrams, the operation and troubleshooting hints are given on the previous page or following page for each circuit where necessary.

OUTLINE OF CHANGES

CONTENTS

WIRING HARNESS CONFIGURATION DIAGRAMS	2	CIRCUIT DIAGRAM	7
SINGLE PART INSTALLATION POSITION ...	6	TABLE OF CIRCUIT DIAGRAMS	12



WIRING HARNESS CONFIGURATION DIAGRAMS

Wiring harness configuration diagrams			Reference page	Description of changes
Connector symbol	Name			
A	ENGINE COMPARTMENT	MPI <L.H. drive vehicles>	2-2	<ul style="list-style-type: none"> The control wiring harness and A/C wiring harness combination (A-01, A-83) have been abolished and the front wiring harness has been changed to correspond to the abolition of the A/C wiring harness. An oxygen sensor <vehicles with front catalytic converter> (A-126) has been added. A capacitor (A-130) has been added. Vacuum solenoid valve (A-07) , ventilation solenoid valve (A-08) , accelerator pedal position sensor (A-12) and auto-cruise control actuator (A-55) have been abolished to correspond to the abolition of the traction control system.
		MPI <R.H. drive vehicles>	2-6	<ul style="list-style-type: none"> The control wiring harness and A/C wiring harness combination (A-01, A-83) have been abolished and the front wiring harness has been changed to correspond to the abolition of the A/C wiring harness. A headlamp washer motor (A-44) has been added. A headlamp washer relay (A-65X) has been added. A capacitor (A-130) has been added. Vacuum solenoid valve (A-07) , ventilation solenoid valve (A-08) , accelerator pedal position sensor (A-12) and auto-cruise control actuator (A-55) have been abolished to correspond to the abolition of the traction control system.
		GDI <L.H. drive vehicles>	2-10	<ul style="list-style-type: none"> The control wiring harness and A/C wiring harness combination (A-01, A-83) have been abolished and the front wiring harness has been changed to correspond to the abolition of the A/C wiring harness. A throttle control servo (A-130) has been added. Idle speed control servo (A-57) , air bypass on/off solenoid valve (A-114) and air bypass duty solenoid valve (A-115) have been abolished.

Wiring harness configuration diagrams			Reference page	Description of changes
Connector symbol	Name			
A	ENGINE COMPARTMENT	GDI <R.H. drive vehicles>	2-14	<ul style="list-style-type: none"> The control wiring harness and A/C wiring harness combination (A-01, A-83) have been abolished and the front wiring harness has been changed to correspond to the abolition of the A/C wiring harness. A headlamp washer motor (A-44) has been added. A headlamp washer relay (A-65X) has been added. A throttle control servo (A-130) has been added. Idle speed control servo (A-57) , air bypass on/off solenoid valve (A-114) and air bypass duty solenoid valve (A-115) have been abolished.
		Diesel <L.H. drive vehicles>	2-18	<ul style="list-style-type: none"> The control wiring harness and A/C wiring harness combination (A-01, A-83) have been abolished and the front wiring harness has been changed to correspond to the abolition of the A/C wiring harness. The alternator (A-110) has been abolished.
		Diesel <R.H. drive vehicles>	2-22	<ul style="list-style-type: none"> The control wiring harness and A/C wiring harness combination (A-01, A-83) have been abolished and the front wiring harness has been changed to correspond to the abolition of the A/C wiring harness. A headlamp washer motor (A-44) has been added. A headlamp washer relay (A-65X) has been added. The alternator (A-110) has been abolished.
B	DASH PANEL	L.H. drive vehicles	2-26	<ul style="list-style-type: none"> Following connectors have been added to correspond to the abolition of the instrument panel wiring harness. Hazard warning switch (B-107) Cigarette lighter (B-124) J/B and body wiring harness combination (B-128) Following connectors have been abolished to correspond to the abolition of the instrument panel wiring harness. Instrument panel wiring harness and body wiring harness combination (B-46) J/B and instrument panel wiring harness combination (B-79)
		R.H. drive vehicles	2-32	

Wiring harness configuration diagrams			Reference page	Description of changes
Connector symbol	Name			
B	DASH PANEL	L.H. drive vehicles	2-26	<ul style="list-style-type: none"> ● The slip ring (B-56) has been abolished to correspond to the addition of a supplemental restraint system to all vehicles. ● The number of pins on the clock spring (B-59) has been changed from 3 to 4. ● Following connectors have been abolished to correspond to changes of the traction control system. Control wiring harness and body wiring harness combination (B-17) Steering wheel sensor (B-61) ● Following connectors have been added to correspond to changes of GDI throttle valve control system. Control wiring harness and body wiring harness combination (B-113) Throttle valve controller (B-118) Throttle control servo relay (B-123) Accelerator pedal position sensor (B-127) ● Following connectors have been added to correspond to changes of engine-ECU and ELC-4A/T-ECU of the vehicles with GDI engine. Engine-ECU <GDI> (B-114, 115, 116) A/T-ECU <GDI> (B-119, 120, 121) ● The number of pins on the immobilizer-ECU (B-02) has been changed from 16 to 12. ● The auto-cruise ECU (B-35) has been abolished to correspond to changes of the cruise control system. ● The diode (B-92) has been abolished to correspond to changes of the keyless entry system. ● Following connectors have been changed to correspond to changes of the full-auto air conditioner. The number of pins on the outside/inside air selection damper motor (B-14) has been changed from 6 to 4. An air purifier (B-13) and blower high speed relay (B-23) have been abolished. ● Following connectors have been changed to correspond to changes of the manual air conditioner system. The number of pins on the A/C switch (B-39) has been changed from 6 to 12 . The number of pins on the blower switch (B-40) has been changed from 8 to 6.
		R.H. drive vehicles	2-32	

Wiring harness configuration diagrams				Description of changes
Connector symbol	Name		Reference page	
B	DASH PANEL	L.H. drive vehicles	2-26	<ul style="list-style-type: none"> The front wiring harness and body wiring harness combination (B-51) has been abolished. Following connectors have been added. <ul style="list-style-type: none"> Radio and tape player or CD player (B-106, 111) Multi center display unit (B-108, 109) Glove box lamp (B-112) Roof antenna (B-117) No connection (B-122) Navigation unit (B-125, 126)
		R.H. drive vehicles	2-32	
C	INSTRUMENT PANEL	L.H. drive vehicles	–	<ul style="list-style-type: none"> The instrument panel wiring harness configuration diagrams have been abolished to correspond to the abolition of the instrument panel wiring harness.
		R.H. drive vehicles	–	
D	FLOOR AND ROOF	L.H. drive vehicles	2-38	<ul style="list-style-type: none"> The number of pins on the front door switch (D-02) has been changed from 1 to 2. The fuel pump and gauge unit assembly (D-10) has been divided between petrol use and diesel use, and the connector colour for petrol use has been changed from B to GR. The number of pins and colour of the side impact sensor (D-30, D-31) have been changed from 3-B to 2-GR. Following connectors have been abolished. <ul style="list-style-type: none"> TCL switch (D-08) Rear wiring harness and body wiring harness combination (D-09) TCL-ECU (D-21, 22) Door lock switch (D-34)
		R.H. drive vehicles	2-40	
E	DOOR	L.H. drive vehicles	2-42	<ul style="list-style-type: none"> Following connectors have been added. <ul style="list-style-type: none"> Tweeter (E-17, 20) Door lock switch (E-18) Door speaker (E-19, 21)
		R.H. drive vehicles	2-43	

Wiring harness configuration diagrams			Reference page	Description of changes
Connector symbol	Name			
F	LUGGAGE COMPARTMENT	Hatchback	2-44	<ul style="list-style-type: none"> • The number of pins on the tailgate wiring harness and rear wiring harness combination (F-02) has been changed from 4 to 6. • The number of pins on the rear combination lamps (F-04, 13) has been changed from 8 to 6. • The number of pins on the license plate lamps (F-06, 16) has been changed from 1 to 2 and the license plate lamps (F-07, 17) have been abolished. • The number of pins on the tailgate lock actuator (F-19) has been changed from 2 to 5. • The rear fog lamps (F-15, 28) have been abolished and tailgate lamps (F-36,37) have been added.
		Sedan	2-45	<ul style="list-style-type: none"> • The number of pins on the license plate lamps (F-06, 16) has been changed from 1 to 2 and the license plate lamps (F-07, 17) have been abolished. • The number of pins on the trunk lid lock actuator (F-31) has been changed from 2 to 5.

SINGLE PART INSTALLATION POSITION

Location of changes	Reference page	Description of changes
RELAY	3-2	<ul style="list-style-type: none"> • A throttle valve relay has been added to correspond to changes of the throttle valve control system. <GDI>
ECU	3-2	<ul style="list-style-type: none"> • A throttle valve controller has been added to correspond to changes of the throttle valve control system. <GDI>
SENSOR	3-3	<ul style="list-style-type: none"> • A throttle position sensor and an accelerator pedal position sensor have been added to correspond to changes of the throttle valve control system. <GDI> • An oxygen sensor has been added to correspond to changes of the emission standard. <MPI-vehicles with front catalytic converter>
INSPECTION CONNECTOR	3-4	<ul style="list-style-type: none"> • Installation position of the diagnosis connectors has been changed.

CIRCUIT DIAGRAM

Circuit diagrams			Description of changes
Main title	Subtitle	Reference page	
JUNCTION BLOCK (J/B)	–	4-4	<ul style="list-style-type: none"> The multi-purpose fuse No.8 has been abolished.
CENTRALIZED JUNCTION	–	4-6	<ul style="list-style-type: none"> Fuse circuits have been changed.
POWER DISTRIBUTION SYSTEM	Vehicles without daytime running lamp	4-10	
	Vehicles with daytime running lamp	4-16	
STARTING SYSTEM	Diesel-powered vehicles	4-22	<ul style="list-style-type: none"> The cable colour and diameter of the wiring harness have been changed.
	Petrol-powered vehicles <MPI>	4-23	<ul style="list-style-type: none"> The control wiring harness and battery cable assembly combination connector (A-23) has been changed.
	Petrol-powered vehicles <GDI>	4-24	
IGNITION SYSTEM	MPI-SOHC-M/T	4-26	<ul style="list-style-type: none"> A capacitor circuit has been added.
	MPI-SOHC-A/T	4-27	
	GDI	4-28	<ul style="list-style-type: none"> The terminal number of the engine-ECU has been changed to correspond to changes of the engine-ECU.
CHARGING SYSTEM	Diesel-powered vehicles	4-30	<ul style="list-style-type: none"> The dedicated fuse No.14 circuit has been abolished.
	Petrol-powered vehicles <MPI>	4-31	<ul style="list-style-type: none"> The front wiring harness and control wiring harness combination connector (A-22) and the control wiring harness and battery cable assembly combination connector (A-23) have been changed.
	Petrol-powered vehicles <GDI>	4-32	
GLOW SYSTEM	–	4-34	<ul style="list-style-type: none"> The power circuit of the ignition relay has been changed.
MPI SYSTEM	MPI-SOHC-M/T	4-38	<ul style="list-style-type: none"> The power circuit of the engine control relay has been changed. The front wiring harness and control wiring harness combination connector (A-22) has been changed. A capacitor circuit has been added. The idle switch circuit has been abolished. A multi center display unit circuit has been added. The crank angle sensor has been changed. The oxygen sensor circuit has been changed. <M/T> The fuel pump and gauge unit assembly has been changed.
	MPI-SOHC-A/T	4-46	
GDI SYSTEM	–	4-54	<ul style="list-style-type: none"> The circuit has been changed to correspond to changes of the engine-ECU and the throttle valve control system.

OUTLINE OF CHANGES – Circuit Diagram

Circuit diagrams			Description of changes
Main title	Subtitle	Reference page	
COOLING SYSTEM	Diesel-powered vehicles	4-68	<ul style="list-style-type: none"> ● The radiator fan relay power circuit has been changed.
	Petrol-powered vehicles	4-69	
ELC 4-SPEED AUTOMATIC TRANSMISSION	MPI-SOHC	4-70	<ul style="list-style-type: none"> ● The front wiring harness and control wiring harness combination connector (A-22) has been changed. ● The idle switch circuit has been abolished. ● The power circuits of the engine control relay and the A/T relay have been changed. ● The hold switch has been changed.
	GDI	4-80	<ul style="list-style-type: none"> ● The power circuits of the ELC-4A/T-ECU and the A/T relay have been changed. ● The circuit has been changed to correspond to changes of the throttle valve control system. ● The hold switch has been changed.
HEADLAMP	Vehicles without daytime running lamp	4-89	<ul style="list-style-type: none"> ● The J/C (1) between the J/B and the combination meter has been abolished.
	Vehicles with daytime running lamp	4-90	
HEADLAMP LEVELING SYSTEM	–	4-96	<ul style="list-style-type: none"> ● The cable colour between the headlamp leveling unit and the headlamp leveling switch has been changed. ● The J/C (1) between the J/B and the headlamp leveling switch has been abolished. ● The cable colour between the J/B and the headlamp leveling switch has been changed.
TAIL LAMP, POSITION LAMP, LICENCE PLATE LAMP AND LIGHTING MONITOR BUZZER	Vehicles without daytime running lamp	4-98	<ul style="list-style-type: none"> ● The license plate lamp connector has been changed. ● The rear combination lamp connector has been changed.
	Vehicles with daytime running lamp	4-102	
FRONT FOG LAMP	Vehicles without daytime running lamp	4-108	<ul style="list-style-type: none"> ● The front fog lamp connector has been changed. ● The illumination power circuit of the front fog lamp switch has been changed.
	Vehicles with daytime running lamp	4-110	
REAR FOG LAMP	Vehicles without daytime running lamp	4-112	<ul style="list-style-type: none"> ● The rear fog lamp relay power circuit has been changed. ● The rear fog lamp relay earth circuit has been changed. ● The J/C (1) between the J/B and the rear fog lamp switch has been abolished. ● The illumination power circuit of the rear fog lamp switch has been changed. ● The rear fog lamp connector has been changed.
	Vehicles with daytime running lamp	4-116	
GLOVE BOX LAMP	–	4-119	<ul style="list-style-type: none"> ● A circuit has been added to correspond to the addition of a glove box lamp.

Circuit diagrams			Description of changes
Main title	Subtitle	Reference page	
ROOM LAMP, MAP LAMP AND LUGGAGE COMPARTMENT LAMP	Hatchback	4-120	<ul style="list-style-type: none"> The front door switch (D-02) connector has been changed.
	Sedan	4-122	
TURN-SIGNAL LAMP AND HAZARD WARNING LAMP	–	4-126	<ul style="list-style-type: none"> The earth circuits of the side turn signal lamp and the front turn signal lamp have been changed. The rear combination lamp connectors have been changed. The illumination power circuit of the hazard warning switch has been changed.
STOP LAMP	Hatchback	4-130	<ul style="list-style-type: none"> The rear combination lamp connector has been changed.
	Sedan	4-131	
BACK-UP LAMP	–	4-132	<ul style="list-style-type: none"> The circuit has been changed to correspond to changes of the rear combination lamp.
HORN	–	4-134	<ul style="list-style-type: none"> The horn earth circuit has been changed.
METER AND GAUGE	Diesel-powered vehicles	4-136	<ul style="list-style-type: none"> The combination meter earth circuit has been changed. The fuel gauge unit has been changed. The front wiring harness and control wiring harness combination connector (A-22) has been changed.
	Petrol-powered vehicles	4-138	
ODOMETER AND TRIP METER	–	4-140	<ul style="list-style-type: none"> The circuit has been changed to correspond to changes of the combination meter.
FUEL WARNING LAMP	–	4-141	<ul style="list-style-type: none"> The fuel gauge unit has been changed.
CENTRAL DOOR LOCKING SYSTEM	Vehicles without keyless entry system <Hatchback>	4-144	<ul style="list-style-type: none"> The tailgate lock actuator and the door lock switch have been changed.
	Vehicles without keyless entry system <Sedan>	4-148	<ul style="list-style-type: none"> The trunk lid lock actuator and the door lock switch have been changed.
	Vehicles with keyless entry system <Hatchback>	4-152	<ul style="list-style-type: none"> The tailgate lock actuator and the door lock switch have been changed. The turn signal lamp circuit has been added.
	Vehicles with keyless entry system <Sedan>	4-158	<ul style="list-style-type: none"> The trunk lid lock actuator and the door lock switch have been changed. The turn signal lamp circuit has been added.
POWER WINDOWS	–	4-164	<ul style="list-style-type: none"> A cable colour of the wiring harness has been changed.
HEATER	–	4-170	<ul style="list-style-type: none"> The circuit has been changed to correspond to the addition of an outside/inside air selection switch.

Circuit diagrams			Description of changes
Main title	Subtitle	Reference page	
MANUAL AIR CONDITIONER	Diesel-powered vehicles	4-174	<ul style="list-style-type: none"> The circuit has been changed to correspond to changes of the A/C switch.
	Petrol-powered vehicles	4-178	
FULL-AUTO AIR CONDITIONER	Diesel-powered vehicles	4-184	<ul style="list-style-type: none"> The circuit has been changed to correspond to changes of the A/C control panel and ECU assembly. The air purifier circuit has been abolished.
	Petrol-powered vehicles	4-192	
WINDSHIELD WIPER AND WASHER	–	4-200	<ul style="list-style-type: none"> The windshield wiper motor power circuit has been changed.
REAR WIPER AND WASHER	–	4-202	<ul style="list-style-type: none"> The rear wiper switch power circuit has been changed.
HEADLAMP WASHER	–	4-205	<ul style="list-style-type: none"> A flexible wire has been adopted to the power circuit and the earth circuit of the headlamp washer motor.
DEFOGGER AND DOOR MIRROR HEATER	Vehicles without full-auto air conditioner	4-206	<ul style="list-style-type: none"> The circuit has been changed to correspond to changes of the A/C switch. The circuit has been changed to correspond to changes of the A/C control panel and ECU assembly.
	Vehicles with full-auto air conditioner	4-208	
REMOTE CONTROLLED MIRROR	–	4-211	<ul style="list-style-type: none"> The cable colour between the remote controlled mirror switch and the remote controlled mirror has been changed.
RADIO AND TAPE PLAYER OR CD PLAYER	–	4-212	<ul style="list-style-type: none"> The circuit has been changed to correspond to the adoption of tweeters and a multi center display unit.
MULTI CENTER DISPLAY	Diesel-powered vehicles	4-214	<ul style="list-style-type: none"> A new circuit has been established to correspond to the adoption of a multi center display unit and a navigation unit.
	Petrol-powered vehicles	4-220	
CIGARETTE LIGHTER	–	4-225	<ul style="list-style-type: none"> The circuit has been changed to correspond to changes of the cigarette lighter.
HEATED SEAT	–	4-226	<ul style="list-style-type: none"> The earth circuit has been changed.
ANTI-LOCK BRAKING SYSTEM (ABS)	Vehicles without TCL	4-228	<ul style="list-style-type: none"> The circuit has been changed to correspond to changes of the traction control system.
ANTI-LOCK BRAKING SYSTEM, TRACTION CONTROL SYSTEM (BTCL)	–	4-232	
AUTO-CRUISE CONTROL SYSTEM	–	4-236	<ul style="list-style-type: none"> The circuit has been changed to correspond to changes of the throttle valve control system.

Circuit diagrams			Description of changes
Main title	Subtitle	Reference page	
SUPPLEMENTAL RESTRAINT SYSTEM (SRS)	–	4-244	<ul style="list-style-type: none"> • The side impact sensor has been changed. • The SRS-ECU earth circuit has been changed.
IMMOBILIZER SYSTEM	Diesel-powered vehicles	4-248	<ul style="list-style-type: none"> • The circuit has been changed to correspond to changes of the immobilizer-ECU.
	Petrol-powered vehicles	4-250	
FUEL LINE HEATER	–	4-251	<ul style="list-style-type: none"> • The power circuit has been changed.
RHEOSTAT	–	4-252	<ul style="list-style-type: none"> • The circuit has been changed to correspond to changes of each circuit.

TABLE OF CIRCUIT DIAGRAMS

This table of circuit diagrams indicates those circuits in which changes and/or additions, etc. have been made; the circuits are here listed in the sequence in which they are presented in the wiring diagrams. Please use this table for reference when following maintenance or repair procedures.

NOTE

- (1) A (Added) : This circuit has been newly added in this manual.
 (2) R (Revised) : This circuit has been changed, and is included in this manual.
 (3) D (Deleted) : This circuit has been deleted in this manual.
 (4) I (Included) : This circuit is included in this manual.
 (5) N (Not included) : This circuit is not included in this manual.
 (6) P (Previous manual) : This circuit is not included in this manual, because it has been changed.
 Refer to this previous manuals.

Main circuit	Circuit classification	Pub. No. PHDE9501 '96 model (Basic)	Pub. No. PHDE9501-A (Supplement)	Pub. No. PHDE9501-B (Supplement)	Pub. No. PHDE9501-C (Supplement)	Pub. No. PHDE9501-D (Supplement)
JUNCTION BLOCK (J/B)	–	I	P	P	P	R
JOINT CONNECTOR (J/C)	–	I	P	P	P	P
CENTRALIZED JUNCTION	–	I	R	R	P	R
POWER DISTRIBUTION SYSTEM	Vehicles without daytime running lamp	I	R	R	P	R
	Vehicles with daytime running lamp	I	R	R	P	R
STARTING SYSTEM	Petrol-powered vehicles <MPI>	I	P	P	P	R
	Petrol-powered vehicles <GDI>	N	N	N	A	R
	Diesel-powered vehicles	N	A	P	P	R
IGNITION SYSTEM	MPI-SOHC-M/T	I	R	P	P	R
	MPI-SOHC-A/T	N	N	A	P	R
	MPI-DOHC	I	R	D	D	D
	GDI	N	N	N	A	R
CHARGING SYSTEM	Petrol-powered vehicles <MPI>	I	P	P	P	R
	Petrol-powered vehicles <GDI>	N	N	N	A	R
	Diesel-powered vehicles	N	A	R	P	R
GLOW SYSTEM	–	N	A	R	P	R
MPI SYSTEM	MPI-SOHC <Vehicles without TCL>	I	R	D	D	D
	MPI-SOHC-M/T <Vehicles without TCL>	N	N	A	P	R
	MPI-SOHC-A/T <Vehicles without TCL>	N	N	A	P	R
	MPI-SOHC <Vehicles with TCL>	I	R	D	D	D
	MPI-SOHC-M/T <Vehicles with TCL>	N	N	A	P	D
	MPI-SOHC-A/T <Vehicles with TCL>	N	N	A	P	D

Main circuit	Circuit classification	Pub. No. PHDE9501 '96 model (Basic)	Pub. No. PHDE9501-A (Supplement)	Pub. No. PHDE9501-B (Supplement)	Pub. No. PHDE9501-C (Supplement)	Pub. No. PHDE9501-D (Supplement)
MPI SYSTEM	MPI-DOHC	I	R	D	D	D
	GDI	N	N	N	A	D
GDI SYSTEM	–	N	N	N	N	A
COOLING SYSTEM	Petrol-powered vehicles	I	R	P	P	R
	Diesel-powered vehicles	N	A	P	P	R
ELC-4 SPEED AUTOMATIC TRANSMISSION	MPI-SOHC	I	R	R	P	R
	GDI	N	N	N	A	R
HEADLAMP	Vehicles without daytime running lamp	I	R	R	P	R
	Vehicles with daytime running lamp	I	R	R	P	R
HEADLAMP LEVELING SYSTEM	–	I	P	P	P	R
TAIL LAMP, POSITION LAMP, LICENCE PLATE LAMP AND LIGHTING MONITOR BUZZER	Vehicles without daytime running lamp	I	R	P	P	R
	Vehicles with daytime running lamp	I	R	P	P	R
FRONT FOG LAMP	Vehicles without daytime running lamp	I	R	R	P	R
	Vehicles with daytime running lamp	I	R	R	P	R
REAR FOG LAMP	Vehicles without daytime running lamp <Hatchback>	I	P	D	D	D
	Vehicles without daytime running lamp <Sedan>	N	A	D	D	D
	Vehicles without daytime running lamp	N	N	A	P	R
	Vehicles with daytime running lamp <Hatchback>	I	P	D	D	D
	Vehicles with daytime running lamp <Sedan>	N	A	D	D	D
	Vehicles with daytime running lamp	N	N	A	P	R
GLOVE BOX LAMP	–	N	N	N	N	A
ROOM LAMP, MAP LAMP AND LUGGAGE COMPARTMENT LAMP	Hatchback	I	P	R	P	R
	Sedan	N	A	R	P	R
TURN-SIGNAL LAMP AND HAZARD WARNING LAMP	Hatchback	I	P	D	D	D
	Sedan	N	A	D	D	D
	–	N	N	A	P	R
STOP LAMP	Hatchback	I	P	P	P	R
	Sedan	N	A	P	P	R
BACK-UP LAMP	–	I	R	R	P	R

OUTLINE OF CHANGES – Table of Circuit Diagrams

Main circuit	Circuit classification	Pub. No. PHDE9501 '96 model (Basic)	Pub. No. PHDE9501-A (Supplement)	Pub. No. PHDE9501-B (Supplement)	Pub. No. PHDE9501-C (Supplement)	Pub. No. PHDE9501-D (Supplement)
HORN	Vehicles without SRS	I	P	P	P	D
	Vehicles with SRS	I	P	P	P	R
METER AND GAUGE	Petrol-powered vehicles	I	R	R	P	R
	Diesel-powered vehicles	N	A	R	P	R
ODOMETER AND TRIP METER	–	N	N	A	P	R
OIL PRESSURE WARNING LAMP	Petrol-powered vehicles	I	P	D	D	D
	Diesel-powered vehicles	N	A	D	D	D
	–	N	N	A	R	P
FUEL WARNING LAMP	Petrol-powered vehicles	I	P	D	D	D
	Diesel-powered vehicles	N	A	D	D	D
	–	N	N	A	P	R
BRAKE WARNING LAMP	Petrol-powered vehicles	I	P	D	D	D
	Diesel-powered vehicles	N	A	D	D	D
	–	N	N	A	P	P
OVER HEATING WARNING LAMP	Diesel-powered vehicles	N	A	R	P	P
CENTRAL DOOR LOCKING SYSTEM	Vehicles without theft-alarm system <Hatchback>	I	P	D	D	D
	Vehicles without theft-alarm system <Sedan>	N	A	D	D	D
	Vehicles with theft-alarm system <Hatchback>	I	R	D	D	D
	Vehicles with theft-alarm system <Sedan>	N	A	D	D	D
	Vehicles without keyless entry system <Hatchback>	N	N	A	P	R
	Vehicles without keyless entry system <Sedan>	N	N	A	P	R
	Vehicles with keyless entry system <Hatchback>	N	N	A	P	R
	Vehicles with keyless entry system <Sedan>	N	N	A	P	R
POWER WINDOWS	–	I	P	P	P	R
HEATER	–	I	P	P	P	R
MANUAL AIR CONDITIONER	Petrol-powered vehicles	I	P	R	P	R
	Petrol-powered vehicles <GDI>	N	N	N	A	D
	Diesel-powered vehicles	N	A	P	P	R

Main circuit	Circuit classification	Pub. No. PHDE9501 '96 model (Basic)	Pub. No. PHDE9501-A (Supplement)	Pub. No. PHDE9501-B (Supplement)	Pub. No. PHDE9501-C (Supplement)	Pub. No. PHDE9501-D (Supplement)
FULL-AUTO AIR CONDITIONER AND AIR PURIFIER	Petrol-powered vehicles	I	P	R	P	R
	Petrol-powered vehicles <GDI>	N	N	N	A	D
	Diesel-powered vehicles	N	A	P	P	R
WINDSHIELD WIPER AND WASHER	–	I	P	R	P	R
REAR WIPER AND WASHER	Vehicles without intermittent wiper	I	P	P	P	D
	Vehicles with intermittent wiper	I	P	P	P	R
HEADLAMP WASHER	–	I	R	P	P	R
DEFOGGER AND DOOR MIRROR HEATER	L.H. drive vehicles <Hatchback>	I	P	D	D	D
	L.H. drive vehicles <Sedan>	N	A	D	D	D
	R.H. drive vehicles <Hatchback>	I	P	D	D	D
	R.H. drive vehicles <Sedan>	N	A	D	D	D
	Vehicles without defogger timer	N	N	A	P	D
	Vehicles with defogger timer	N	N	A	P	D
	Vehicles without full-auto air conditioner	N	N	N	N	A
	Vehicles with full-auto air conditioner	N	N	N	N	A
REMOTE CONTROLLED MIRROR	–	I	P	P	P	R
CLOCK	L.H. drive vehicles	I	P	P	P	D
	R.H. drive vehicles	I	P	P	P	D
MULTI CENTER DISPLAY	Petrol-powered vehicles	N	N	N	N	A
	Diesel-powered vehicles	N	N	N	N	A
CIGARETTE LIGHTER	–	I	P	P	P	R
RADIO AND TAPE PLAYER (VEHICLE HARNESS WITHOUT RADIO AND TAPE PLAYER COMPONENT)	–	I	R	P	P	D
RADIO AND TAPE PLAYER	–	I	R	P	P	D
RADIO AND TAPE PLAYER OR CD PLAYER	–	N	N	N	N	A
SUNROOF	–	I	P	P	P	D
HEATED SEAT	–	I	P	P	P	R
ANTI-LOCK BRAKING SYSTEM (ABS)	–	I	P	R	P	D
	Vehicles without TCL	N	N	N	N	A

OUTLINE OF CHANGES – Table of Circuit Diagrams

Main circuit	Circuit classification	Pub. No. PHDE9501 '96 model (Basic)	Pub. No. PHDE9501-A (Supplement)	Pub. No. PHDE9501-B (Supplement)	Pub. No. PHDE9501-C (Supplement)	Pub. No. PHDE9501-D (Supplement)
TRACTION CONTROL SYSTEM (TCL)	–	I	R	D	D	D
	M/T	N	N	A	P	D
	A/T	N	N	A	P	D
ANTI-LOCK BRAKING SYSTEM, TRACTION CONTROL SYSTEM (BTCL)	–	N	N	N	N	A
AUTO-CRUISE CONTROL SYSTEM	–	I	P	R	P	D
	GDI	N	N	N	N	A
SUPPLEMENTAL RESTRAINT SYSTEM (SRS)	–	I	P	D	D	A
	Vehicles without side air bag	N	N	A	P	D
	Vehicles with side air bag	N	N	A	P	D
THEFT-ALARM SYSTEM	Hatchback	I	R	D	D	D
	Sedan	N	A	D	D	D
IMMOBILIZER SYSTEM	Petrol-powered vehicles	I	P	R	P	R
	Diesel-powered vehicles	N	A	R	P	R
RHEOSTAT	–	I	P	P	P	R
FUEL LINE HEATER	–	N	A	P	P	R

HOW TO READ THE WIRING DIAGRAMS

CONTENTS

MODELS 1-2

MODELS**<HATCHBACK>**

Model code		Engine model	Transmission model	Fuel supply system
DA1A	LNSPL6/R6	4G92-SOHC (1,597 ml)	F5MR1 (2WD-5M/T)	MPI
	LNUPL6/R6			
	LRUPL6/R6		F4A41 (2WD-4A/T)	
	LNGPL6/R6		F5MR1 (2WD-5M/T)	
	LRGPL6/R6		F4A41 (2WD-4A/T)	
	LNSJL6		F5MR1 (2WD-5M/T)	
	LNSLL6			
	LNULL6			
	LNUJL6			
	LRUJL6		F4A41 (2WD-4A/T)	
	LNGLL6		F5MR1 (2WD-5M/T)	
	LNGJL6			
	LRGJL6		F4A41 (2WD-4A/T)	
DA2A	LNSQL6/R6	4G93-DOHC (1,834 ml)	F5M42 (2WD-5M/T)	GDI
	LNUQL6/R6			
	LRUQL6/R6		F4A42 (2WD-4A/T)	
	LNGQL6/R6		F5M42 (2WD-5M/T)	
	LRGQL6/R6		F4A42 (2WD-4A/T)	
	LNXQL6/R6		F5M42 (2WD-5M/T)	
	LRXQL6/R6		F4A42 (2WD-4A/T)	
	LNSGL6		F5M42 (2WD-5M/T)	
	LNSRL6			
	LNUGL6			
	LNURL6			
	LRUGL6		F4A42 (2WD-4A/T)	
	LNGGL6		F5M42 (2WD-5M/T)	
	LNGRL6			
	LRGGL6		F4A42 (2WD-4A/T)	
LNXGL6	F5M42 (2WD-5M/T)			

Model code		Engine model	Transmission model	Fuel supply system
DA2A	LNXRL6	4G93-DOHC (1,834 ml)	F5M42 (2WD-5M/T)	GDI
	LRXGL6		F4A42 (2WD-4A/T)	
DA4A	LNSFL6/R6	F8QT (1,870 ml)	F5MR3 (2WD-5M/T)	Fuel injection pump
	LNUFL6/R6			
	LNXFL6/R6			

<SEDAN>

Model code		Engine model	Transmission model	Fuel supply system
DA1A	SNSPL6/R6	4G92-SOHC (1,597 ml)	F5MR1 (2WD-5M/T)	MPI
	SNUPL6/R6		F4A41 (2WD-4A/T)	
	SRUPL6/R6			
	SNGPL6/R6		F5MR1 (2WD-5M/T)	
	SRGPL6/R6		F4A41 (2WD-4A/T)	
	SNSJL6		F5MR1 (2WD-5M/T)	
	SNSLL6			
	SNULL6			
	SNUJL6		F4A41 (2WD-4A/T)	
	SRUJL6			
	SNGLL6			
	SNGJL6		F5MR1 (2WD-5M/T)	
	SRGJL6			
	DA2A		SNSQL6/R6	
SNUQL6/R6		F4A42 (2WD-4A/T)		
SRUQL6/R6				
SNGQL6/R6		F5M42 (2WD-5M/T)		
SRGQL6/R6		F4A42 (2WD-4A/T)		
SNXQL6/R6		F5M42 (2WD-5M/T)		
SRXQL6/R6		F4A42 (2WD-4A/T)		
SNSGL6		F5M42 (2WD-5M/T)		
SNSRL6				
SNUGL6				
SNURL6		F4A42 (2WD-4A/T)		
SRUGL6				

Model code		Engine model	Transmission model	Fuel supply system
DA2A	SNGGL6	4G93-DOHC (1,834 mℓ)	F5M42 (2WD-5M/T)	GDI
	SNGRL6			
	SRGGL6		F4A42 (2WD-4A/T)	
	SNXGL6		F5M42 (2WD-5M/T)	
	SNXRL6			
	SRXGL6		F4A42 (2WD-4A/T)	
DA4A	SNSFL6/R6	F8QT (1,870 mℓ)	F5MR3 (2WD-5M/T)	Fuel injection pump
	SNUFL6/R6			
	SNXFL6/R6			

WIRING HARNESS CONFIGURATION DIAGRAMS

CONTENTS

ENGINE COMPARTMENT

MPI-SOHC <L.H. drive vehicles>	2-2
MPI-SOHC <R.H. drive vehicles>	2-6
GDI <L.H. drive vehicles>	2-10
GDI <R.H. drive vehicles>	2-14
Diesel <L.H. drive vehicles>	2-18
Diesel <R.H. drive vehicles>	2-22

DASH PANEL

L.H. drive vehicles	2-26
R.H. drive vehicles	2-32

FLOOR AND ROOF

L.H. drive vehicles	2-38
R.H. drive vehicles	2-40

DOOR

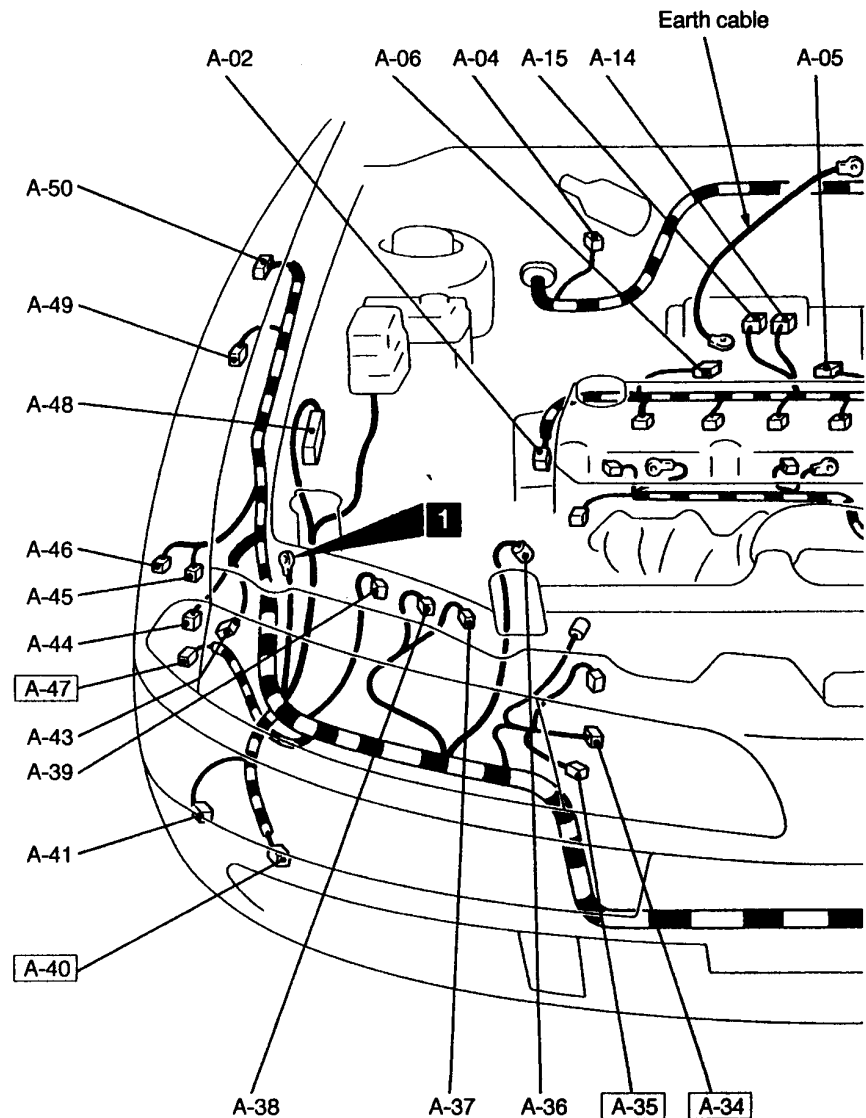
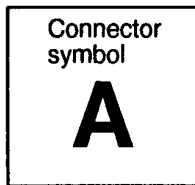
L.H. drive vehicles	2-42
R.H. drive vehicles	2-43

LUGGAGE COMPARTMENT

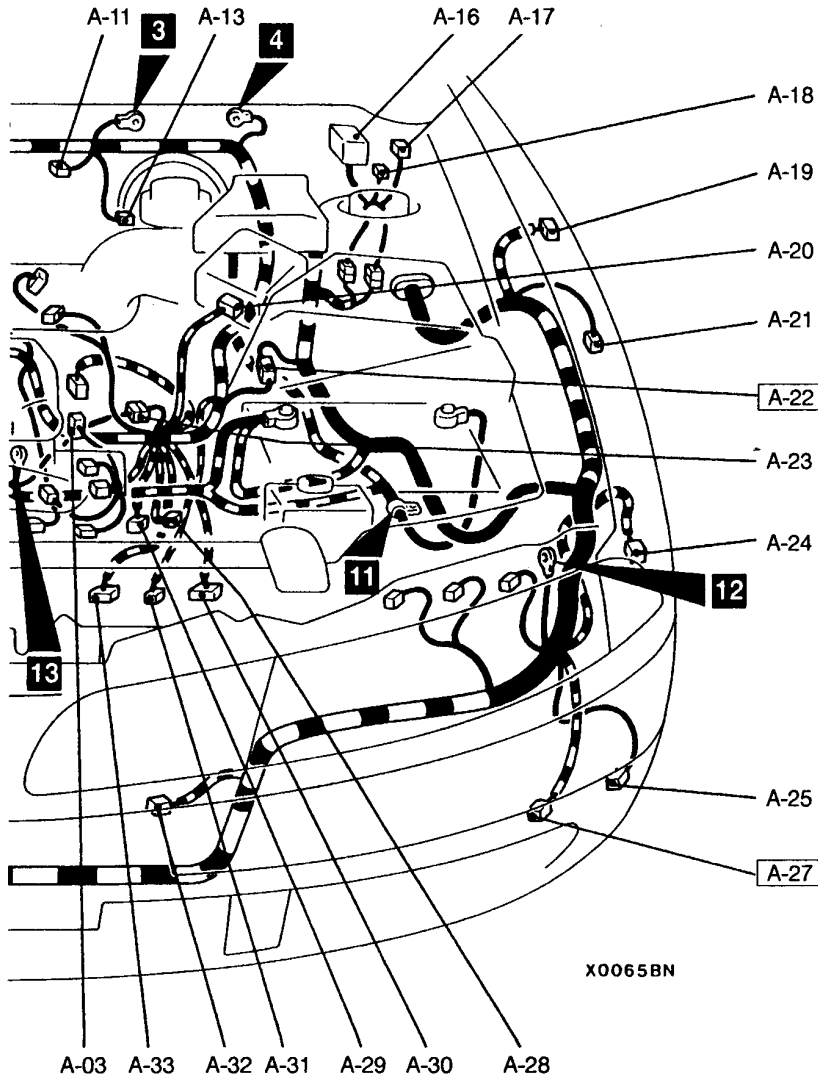
Hatchback	2-44
Sedan	2-45

ENGINE COMPARTMENT

MPI-SOHC <L.H. drive vehicles>



A-02 (3-B)	Crank angle sensor	A-18 (4)	DRL relay 2
A-03 (3-B)	Camshaft position sensor	A-19 (2-B)	Side turn signal lamp (LH)
A-04 (5-B)	Windshield wiper motor	A-20 (7-B)	Air flow sensor
A-05 (3-GR)	Ignition coil B	A-21 (2-B)	Front speed sensor (LH) <ABS>
A-06 (3-GR)	Ignition coil A	<u>A-22</u> (10-B)	Front wiring harness and control wiring harness combination
A-11 (1-L)	Engine speed detection connector	A-23 (4-B)	Control wiring harness and battery cable assembly combination
A-13 (2-B)	Brake fluid level sensor	A-24 (2-B)	Front turn signal lamp (LH)
A-14 (2-B)	Purge control solenoid valve	A-25 (2-B)	Horn (LH)
A-15 (2-BR)	EGR solenoid valve	<u>A-27</u> (2-GR)	Front fog lamp (LH)
A-16 (12)	DRL-ECU		
A-17 (4)	DRL relay 1		

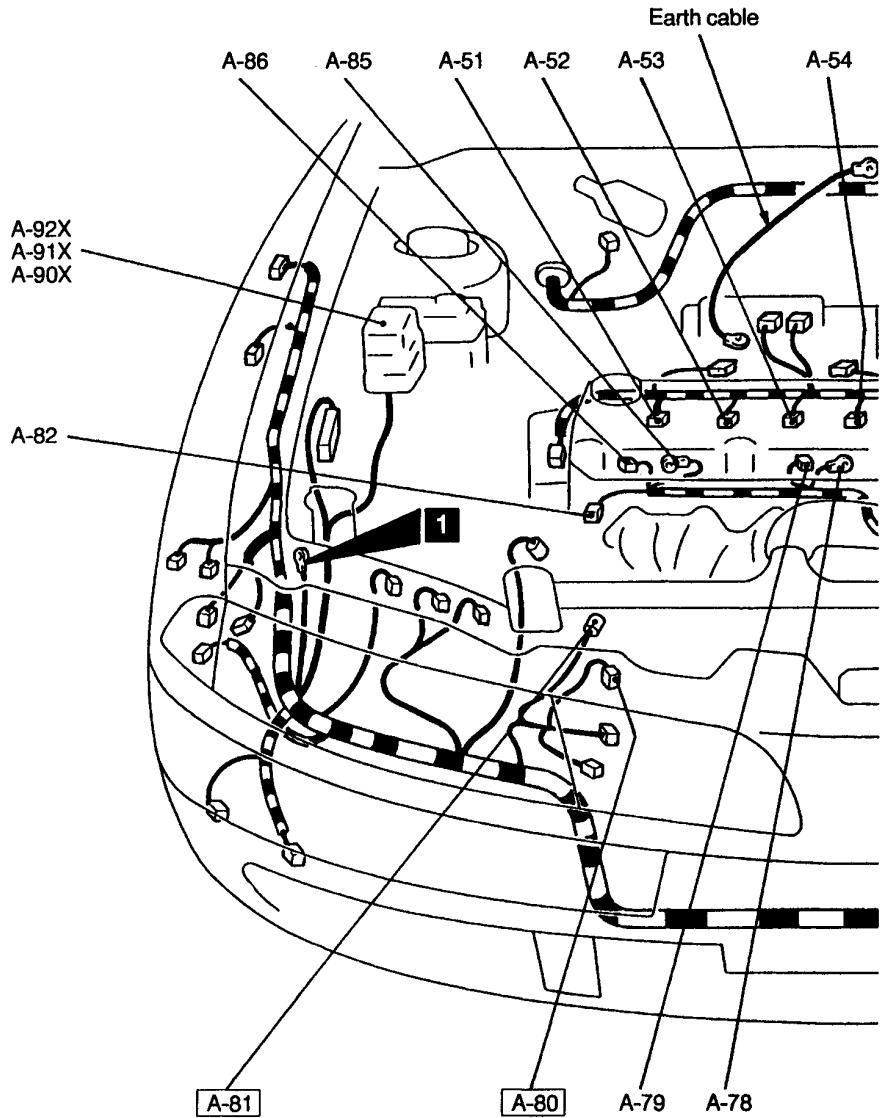
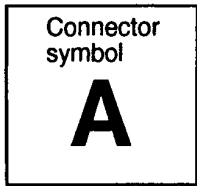


- A-28 (3-GR) Input shaft speed sensor <A/T>
- A-29 (3-B) Output shaft speed sensor <A/T>
- A-30 (10-GR) ELC-4A/T control solenoid valve
- A-31 (2-G) Back-up lamp switch <M/T>
- A-32 (2-B) Radiator fan motor
- A-33 (10-B) Inhibitor switch <A/T>
- A-34 (4-B) Condenser fan motor
- A-35 (2-B) Outside thermo sensor <Full-auto A/C> or no connection <Manual A/C>
- A-36 (1) Power steering oil pressure switch
- A-37 (2-B) Position lamp (RH)
- A-38 (3-B) Headlamp (RH)
- A-39 (3-B) Headlamp leveling unit (RH)
- A-40 (2-GR) Front fog lamp (RH)

- A-41 (2-B) Horn (RH)
- A-43 (2-BR) Washer fluid level sensor
- A-44 (2) Headlamp washer motor
- A-45 (2) Rear washer motor
- A-46 (2) Windshield washer motor
- A-47 (2-B) Front turn signal lamp (RH)
- A-48 (31) ABS-ECU
- A-49 (2-B) Front speed sensor (RH) <ABS>
- A-50 (2-B) Side turn signal lamp (RH)

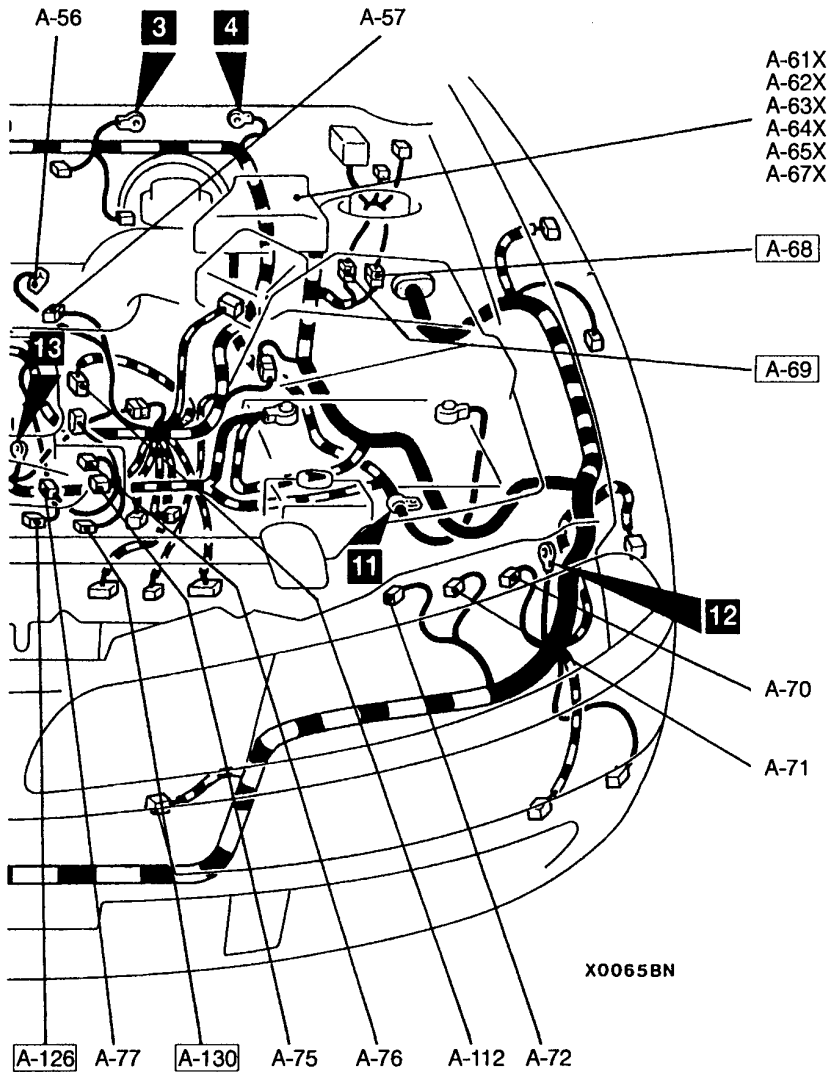
NOTE
 Connector numbers in are connector numbers which have been changed or added.

MPI-SOHC <L.H. drive vehicles>



- A-51 (2-GR) Injector No. 1
- A-52 (2-GR) Injector No. 2
- A-53 (2-GR) Injector No. 3
- A-54 (2-GR) Injector No. 4
- A-56 (4-B) Throttle position sensor
- A-57 (6-B) Idle speed control servo
- A-61X (5) Tail lamp relay <DRL>
- A-62X (4) Alternator relay
- A-63X (5) Radiator fan relay
- A-64X (5) Headlamp relay

- A-65X (5) Headlamp washer relay
- A-67X (5) Horn relay <SRS>
- A-68(10-B) Front wiring harness and DRL wiring harness combination
- A-69(10-B) Front wiring harness and DRL wiring harness combination
- A-70 (3-B) Headlamp leveling unit (LH)
- A-71 (3-B) Headlamp (LH)
- A-72 (2-B) Position lamp (LH)



- A-75 (1-B) Engine coolant temperature gauge unit
- A-76 (2-B) Engine coolant temperature sensor
- A-77 (2-GR) Detonation sensor
- A-78 (1) Starter
- A-79 (1-B) Starter
- A-80 (2-BR) Dual pressure switch
- A-81 (1-B) A/C refrigerant temperature switch and magnetic clutch
- A-82 (1-B) Oil pressure switch
- A-85 (1) Alternator
- A-86 (2) Alternator

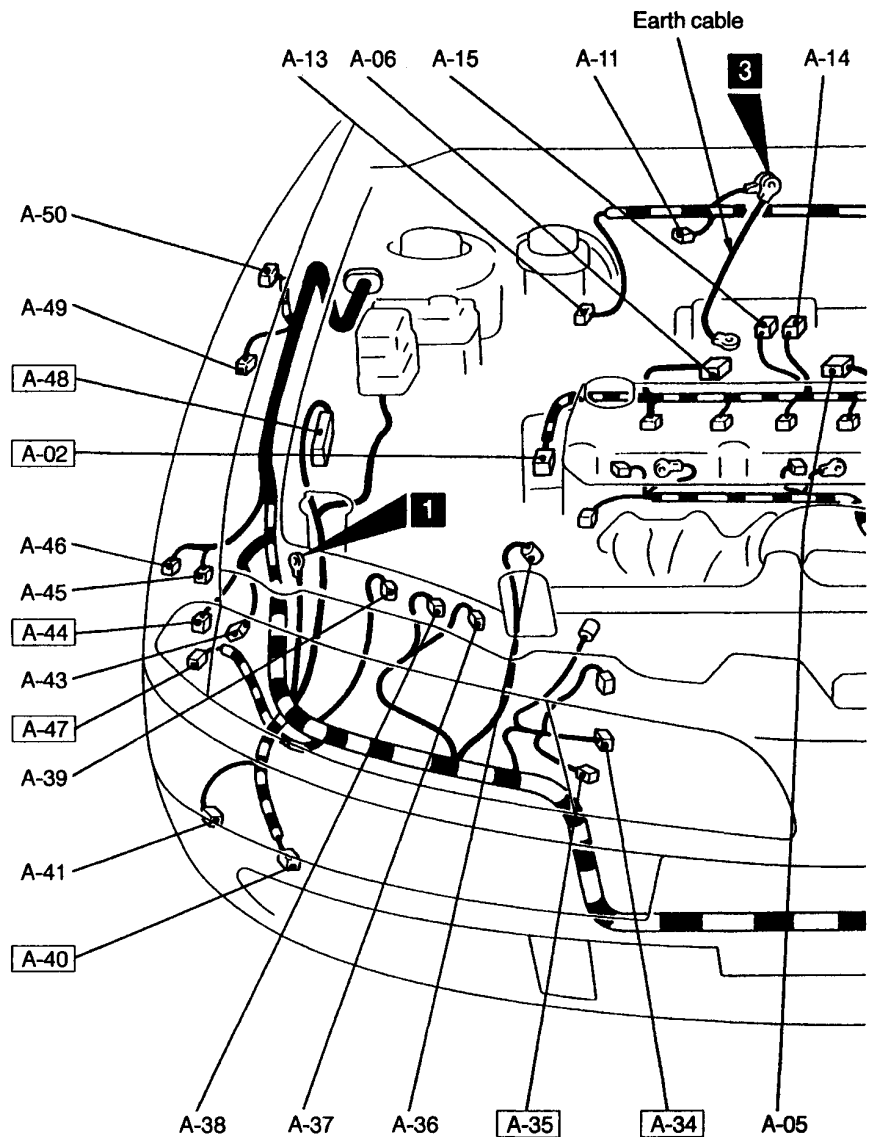
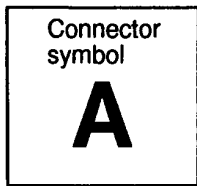
- A-90X (5) Condenser fan relay (LO)
- A-91X (5) Condenser fan relay (HI)
- A-92X (5) A/C compressor relay
- A-112 (3-B) Vehicle speed sensor
- A-126 (4-B) Oxygen sensor (Front) <Vehicles with front catalytic converter>
- A-130 (1-B) Capacitor

NOTE

Connector numbers in are connector numbers which have been changed or added.

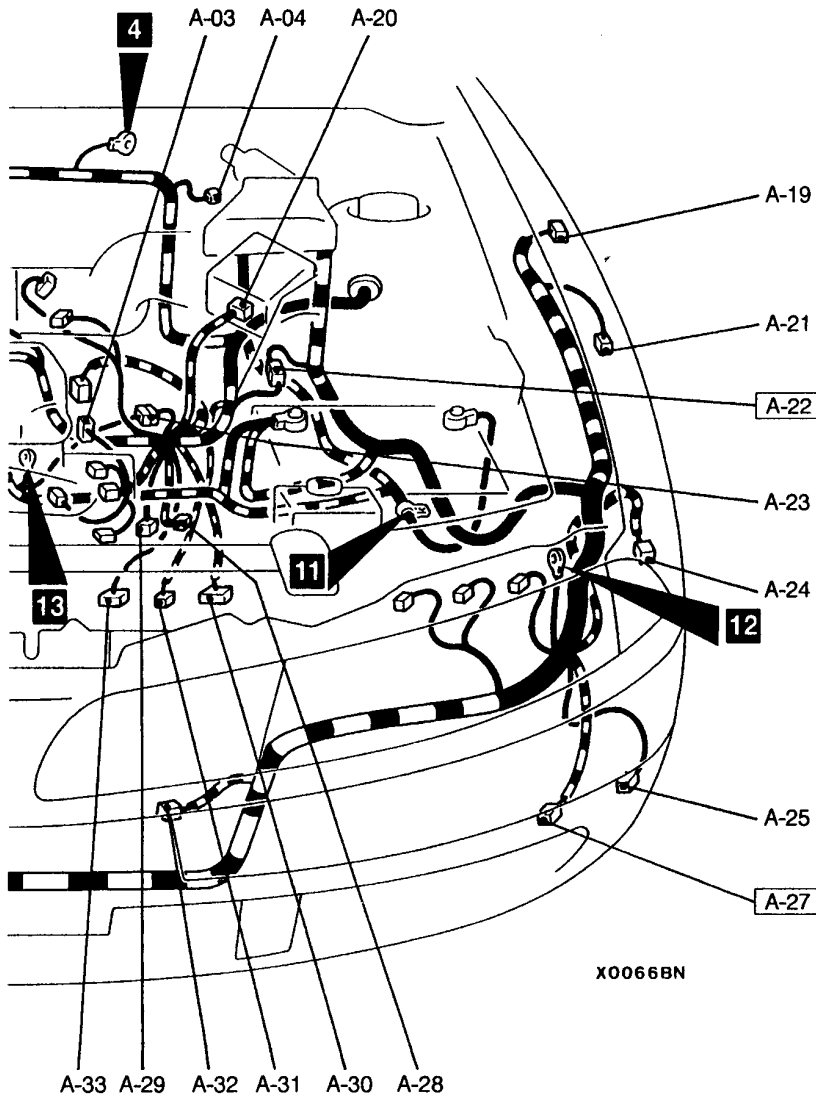
ENGINE COMPARTMENT

MPI-SOHC <R.H. drive vehicles>



- A-02 (3-GR) Crank angle sensor
- A-03 (3-B) Camshaft position sensor
- A-04 (5-B) Windshield wiper motor
- A-05 (3-GR) Ignition coil B
- A-06 (3-GR) Ignition coil A
- A-11 (1-L) Engine speed detection connector
- A-13 (2-B) Brake fluid level sensor
- A-14 (2-B) Purge control solenoid valve
- A-15 (2-BR) EGR solenoid valve
- A-19 (2-B) Side turn signal lamp (LH)

- A-20 (7-B) Air flow sensor
- A-21 (2-B) Front speed sensor (LH) <ABS>
- A-22 (10-B) Front wiring harness and control wiring harness combination
- A-23 (4-B) Control wiring harness and battery cable assembly combination
- A-24 (2-B) Front turn signal lamp (LH)
- A-25 (2-B) Horn (LH)
- A-27 (2-GR) Front fog lamp (LH)



X0066BN

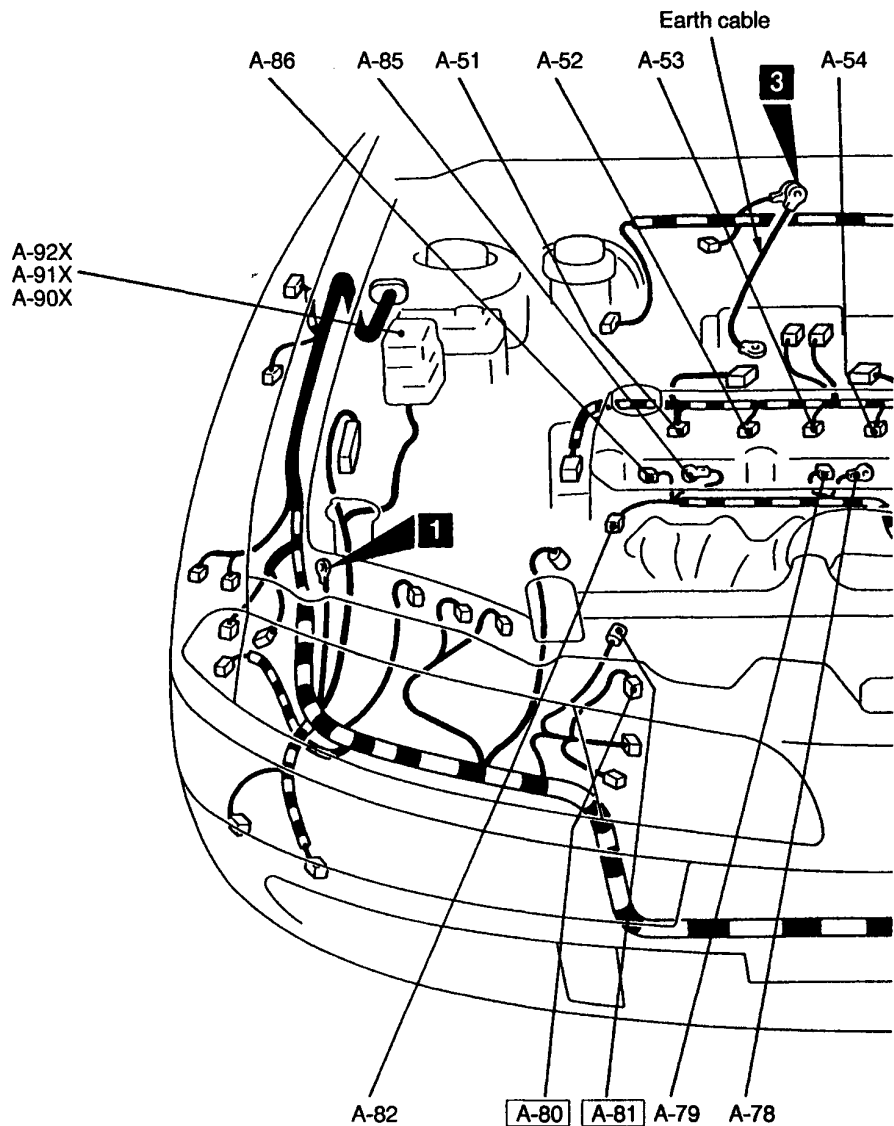
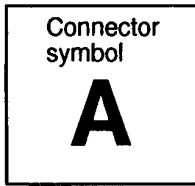
- A-28 (3-GR) Input shaft speed sensor <A/T>
- A-29 (3-B) Output shaft speed sensor <A/T>
- A-30 (10-GR) ELC-4A/T control solenoid valve
- A-31 (2-G) Back-up lamp switch <M/T>
- A-32 (2-B) Radiator fan motor
- A-33 (10-B) Inhibitor switch <A/T>
- A-34 (4-B) Condenser fan motor
- A-35 (2-B) Outside thermo sensor <Full-auto A/C> or no connection <Manual A/C>
- A-36 (1) Power steering oil pressure switch
- A-37 (2-B) Position lamp (RH)
- A-38 (3-B) Headlamp (RH)
- A-39 (3-B) Headlamp leveling unit (RH)
- A-40 (2-GR) Front fog lamp (RH)

- A-41 (2-B) Horn (RH)
- A-43 (2-BR) Washer fluid level sensor
- A-44 (2) Headlamp washer motor
- A-45 (2) Rear washer motor
- A-46 (2) Windshield washer motor
- A-47 (2-B) Front turn signal lamp (RH)
- A-48 (31-B) ABS-ECU
- A-49 (2-B) Front speed sensor (RH) <ABS>
- A-50 (2-B) Side turn signal lamp (RH)

NOTE

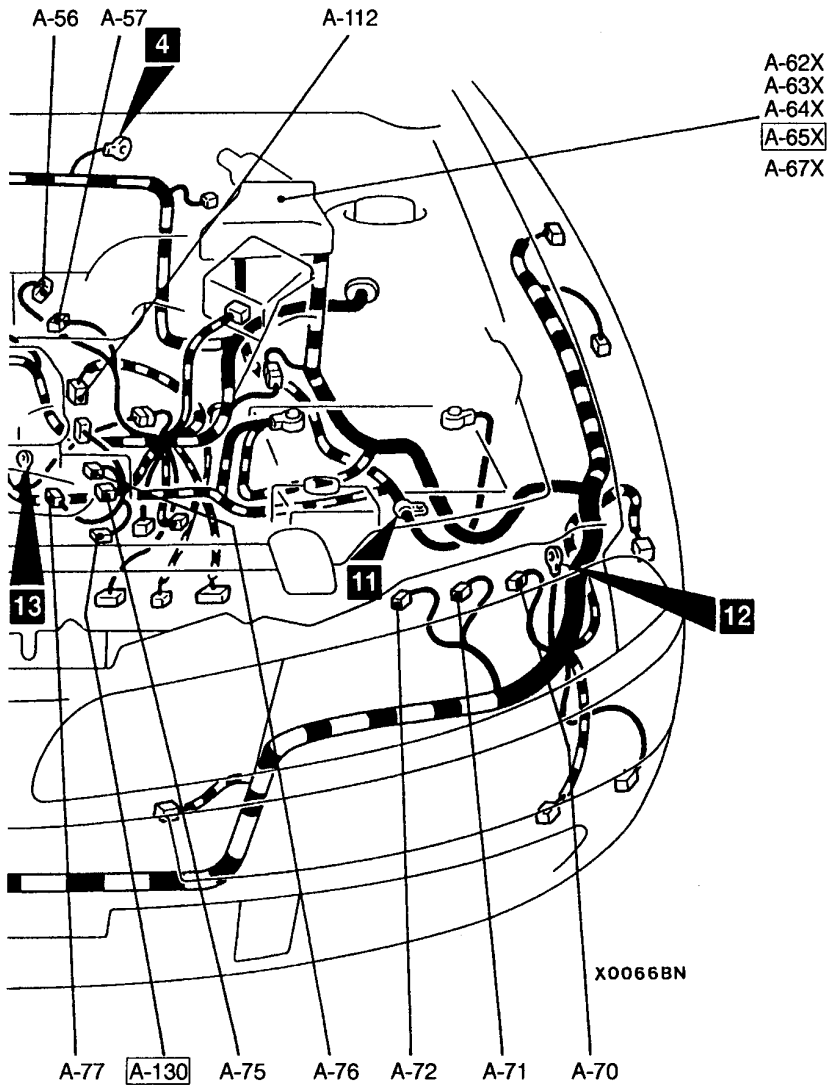
Connector numbers in are connector numbers which have been changed or added.

MPI-SOHC <R.H. drive vehicles>



- A-51 (2-GR) Injector No. 1
- A-52 (2-GR) Injector No. 2
- A-53 (2-GR) Injector No. 3
- A-54 (2-GR) Injector No. 4
- A-56 (4-B) Throttle position sensor
- A-57 (6-B) Idle speed control servo
- A-62X (4) Alternator relay
- A-63X (5) Radiator fan relay
- A-64X (5) Headlamp relay

- A-65X (5) Headlamp washer relay
- A-67X (5) Horn relay <SRS>
- A-70 (3-B) Headlamp leveling unit (LH)
- A-71 (3-B) Headlamp (LH)
- A-72 (2-B) Position lamp (LH)
- A-75 (1-B) Engine coolant temperature gauge unit
- A-76 (2-B) Engine coolant temperature sensor
- A-77 (2-GR) Detonation sensor



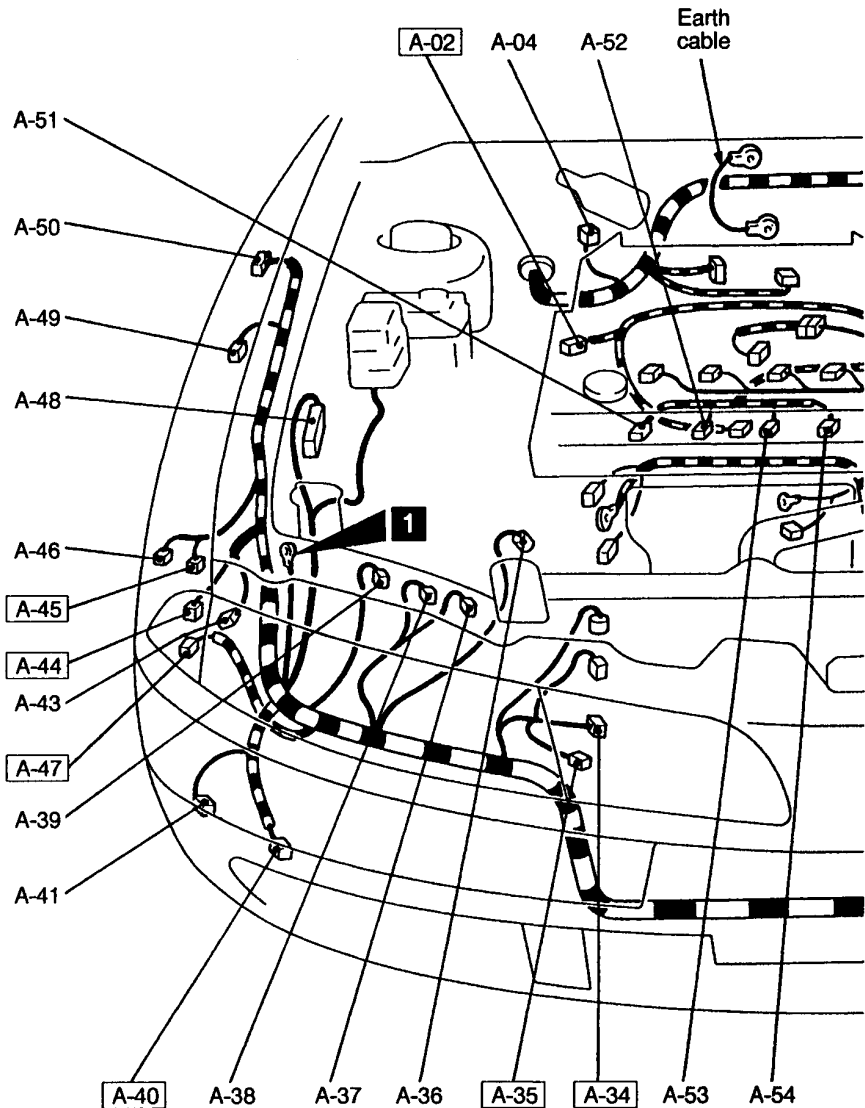
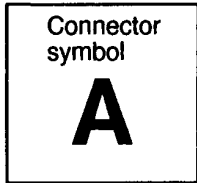
- A-78 (1) Starter
- A-79 (1-B) Starter
- A-80 (2-BR) Dual pressure switch
- A-81 (1-B) A/C refrigerant temperature switch and magnetic clutch
- A-82 (1-B) Oil pressure switch
- A-85 (1) Alternator
- A-86 (2) Alternator
- A-90X (5) Condenser fan relay (LO)

- A-91X (5) Condenser fan relay (HI)
- A-92X (5) A/C compressor relay
- A-112 (3-B) Vehicle speed sensor
- A-130 (1-B) Capacitor

NOTE
 Connector numbers in are connector numbers which have been changed or added.

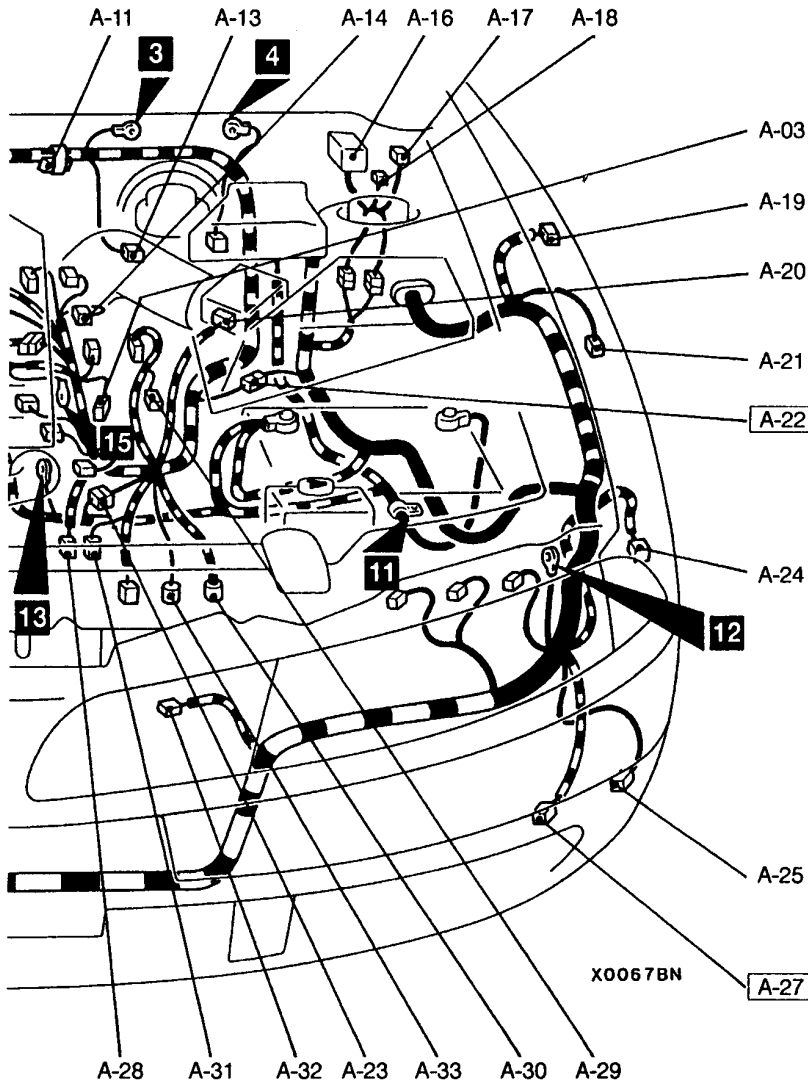
ENGINE COMPARTMENT

GDI <L.H. drive vehicles>



- A-02 (3-GR) Crank angle sensor
- A-03 (3-B) Camshaft position sensor
- A-04 (5-B) Windshield wiper motor
- A-11 (1-L) Engine speed detection connector
- A-13 (2-B) Brake fluid level sensor
- A-14 (2-B) Purge control solenoid valve
- A-16 (12) DRL-ECU
- A-17 (4) DRL relay 1
- A-18 (4) DRL relay 2
- A-19 (2-B) Side turn signal lamp (LH)
- A-20 (7-B) Air flow sensor
- A-21 (2-B) Front speed sensor (LH) <ABS>

- A-22 (10-B) Front wiring harness and control wiring harness combination
- A-23 (6-B) Control wiring harness and battery cable assembly combination
- A-24 (2-B) Front turn signal lamp (LH)
- A-25 (2-B) Horn (LH)
- A-27 (2-GR) Front fog lamp (LH)
- A-28 (3-B) Input shaft speed sensor <A/T>
- A-29 (3-GR) Output shaft speed sensor <A/T>
- A-30 (10-GR) ELC-4A/T control solenoid valve
- A-31 (2-B) Back-up lamp switch <M/T>

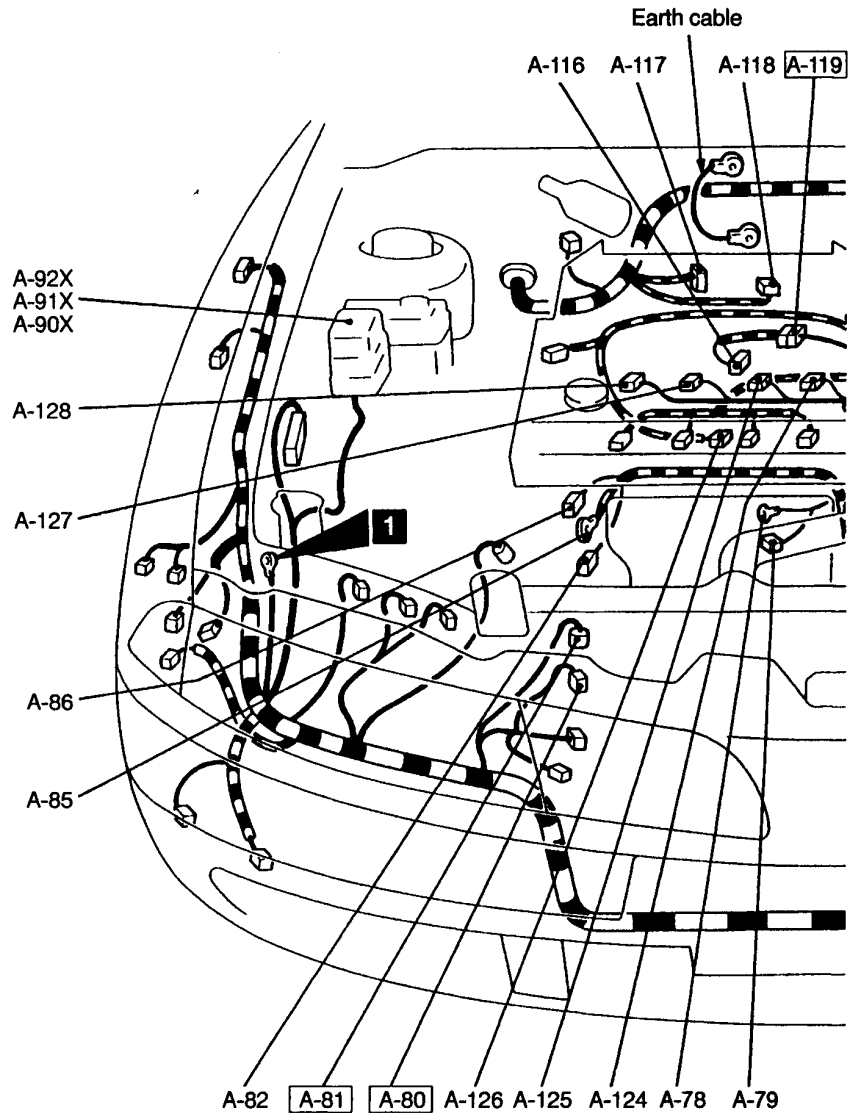
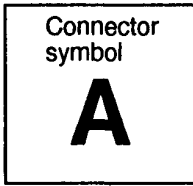


- | | | | |
|---|--|--|-------------------------------|
| A-32 (2-B) | Radiator fan motor | A-46 (2) | Windshield washer motor |
| A-33 (10-B) | Inhibitor switch <AT> | A-47 (2-B) | Front turn signal lamp (RH) |
| A-34 (4-B) | Condenser fan motor | A-48 (31) | ABS-ECU |
| A-35 (2-B) | Outside thermo sensor <Full-auto A/C>
or no connection <Manual A/C> | A-49 (2-B) | Front speed sensor (RH) <ABS> |
| A-36 (1) | Power steering oil pressure switch | A-50 (2-B) | Side turn signal lamp (RH) |
| A-37 (2-B) | Position lamp (RH) | A-51 (2-GR) | Injector No.1 |
| A-38 (3-B) | Headlamp (RH) | A-52 (2-GR) | Injector No.2 |
| A-39 (3-B) | Headlamp leveling unit (RH) | A-53 (2-GR) | Injector No.3 |
| A-40 (2-GR) | Front fog lamp (RH) | A-54 (2-GR) | Injector No.4 |
| A-41 (2-B) | Horn (RH) | | |
| A-43 (2-BR) | Washer fluid level sensor | | |
| A-44 (2) | Headlamp washer motor | | |
| A-45 (2) | Rear washer motor | | |

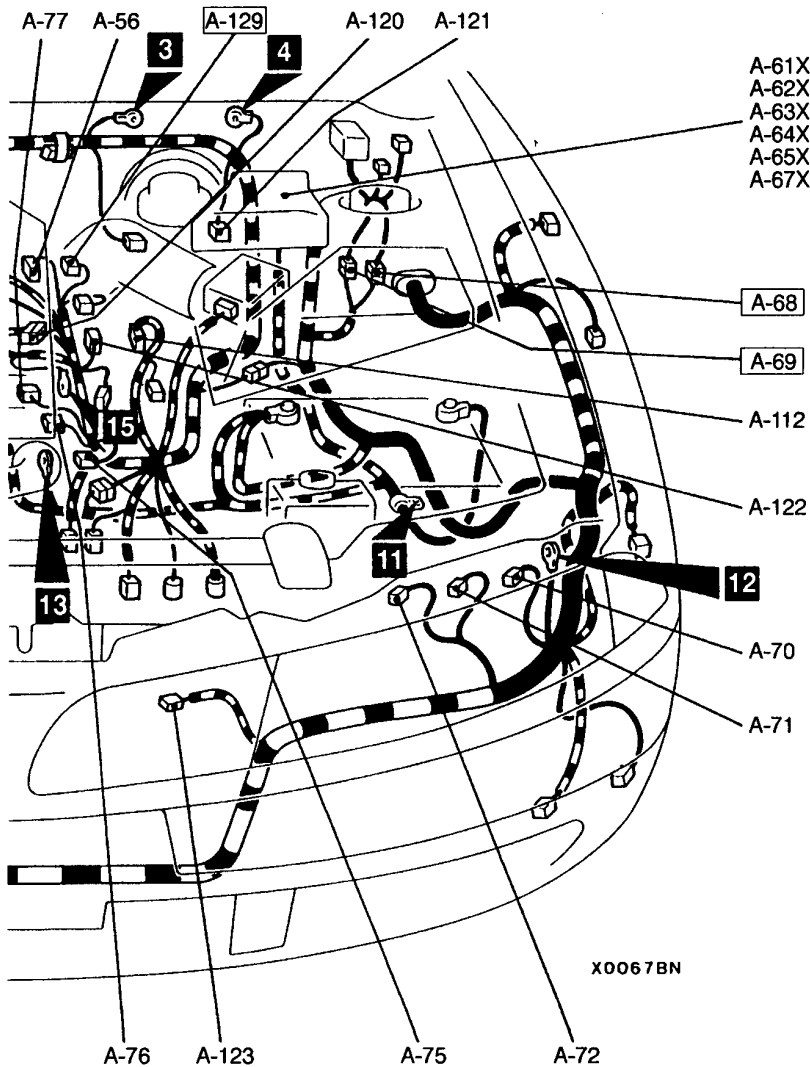
NOTE

Connector numbers in are connector numbers which have been changed or added.

GDI <L.H. drive vehicles>



- | | | | |
|-------------|---|-------------|--|
| A-56 (4-B) | Throttle position sensor | A-71 (3-B) | Headlamp (LH) |
| A-61X (5) | Tail lamp relay <DRL> | A-72 (2-B) | Position lamp (LH) |
| A-62X (4) | Alternator relay | A-75 (1-B) | Engine coolant temperature gauge unit |
| A-63X (5) | Radiator fan relay | A-76 (2-B) | Engine coolant temperature sensor |
| A-64X (5) | Headlamp relay | A-77 (2-GR) | Detonation sensor |
| A-65X (5) | Headlamp washer relay | A-78 (1) | Starter |
| A-67X (5) | Horn relay <SRS> | A-79 (1-B) | Starter |
| A-68 (10-B) | Front wiring harness and DRL wiring harness combination | A-80 (2-BR) | Dual pressure switch |
| A-69 (10-B) | Front wiring harness and DRL wiring harness combination | A-81 (1-B) | A/C refrigerant temperature switch and magnetic clutch |
| A-70 (3-B) | Headlamp leveling unit (LH) | A-82 (1-B) | Oil pressure switch |



X0067BN

- A-85 (1) Alternator
- A-86 (4-DG) Alternator
- A-90X (5) Condenser fan relay (LO)
- A-91X (5) Condenser fan relay (HI)
- A-92X (5) A/C compressor relay
- A-112 (3-B) Vehicle speed sensor
- A-116 (6-DG) EGR servo
- A-117 (26-B) Injector driver
- A-118 (4-GR) Injector driver control relay
- A-119 (6-B) Control wiring harness and ABV wiring harness combination
- A-120 (8-B) Control wiring harness and injector wiring harness combination

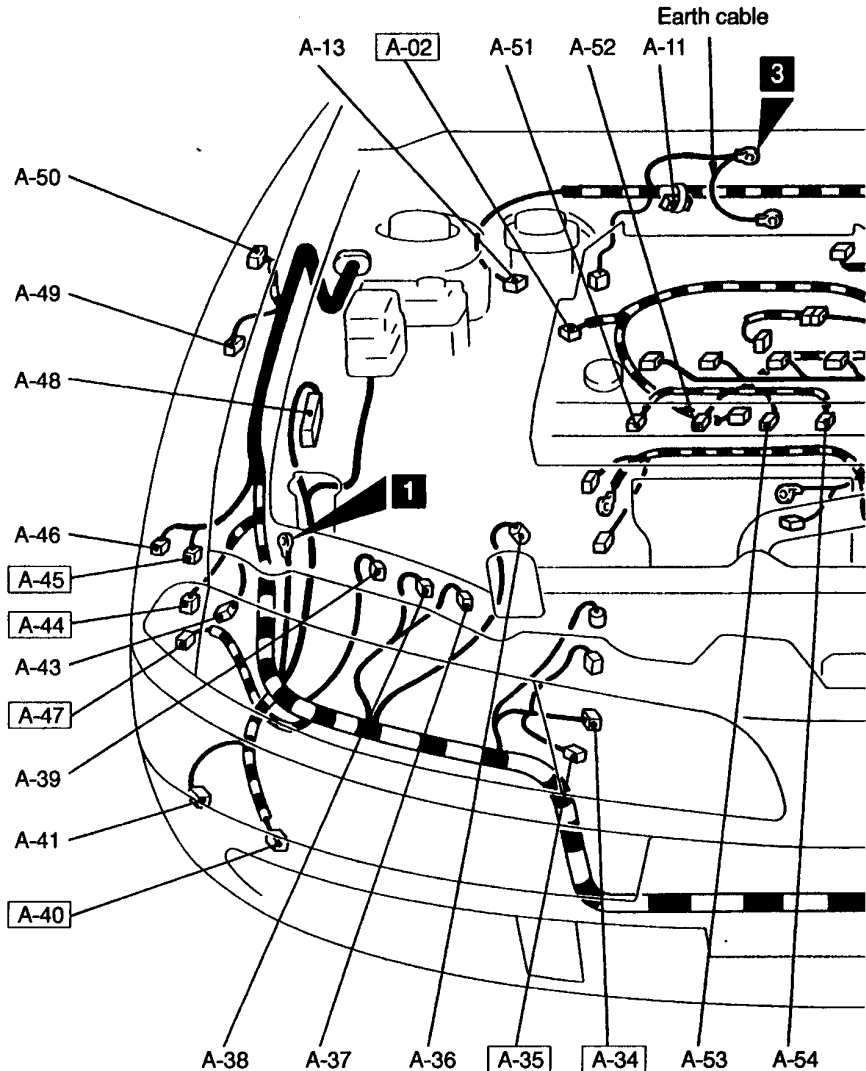
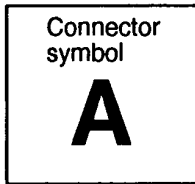
- A-121 (3-B) Brake vacuum sensor
- A-122 (3-B) Fuel pressure sensor
- A-123 (2-GR) M/T oil temperature sensor
- A-124 (3-GR) Ignition coil 4
- A-125 (3-GR) Ignition coil 3
- A-126 (4-B) Oxygen sensor
- A-127 (3-GR) Ignition coil 2
- A-128 (3-GR) Ignition coil 1
- A-129 (4-DG) Throttle control servo

NOTE

Connector numbers in are connector numbers which have been changed or added.

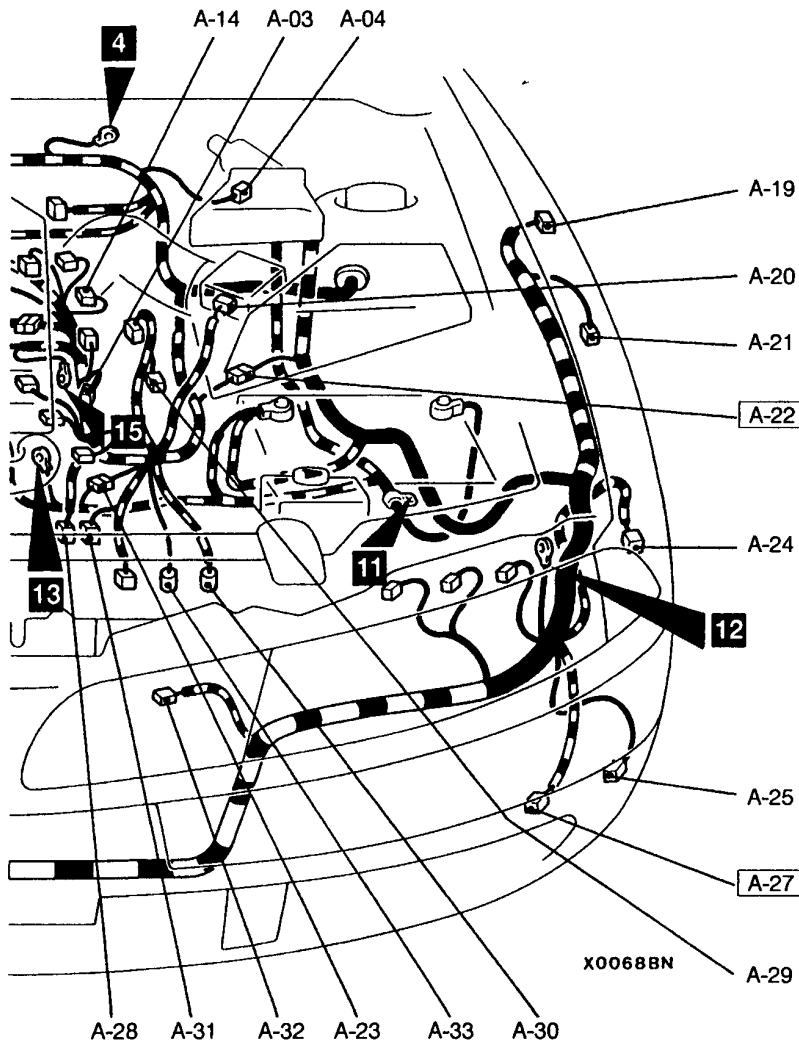
ENGINE COMPARTMENT

GDI <R.H. drive vehicles>



- A-02** (3-GR) Crank angle sensor
- A-03 (3-B) Camshaft position sensor
- A-04 (5-B) Windshield wiper motor
- A-11 (1-L) Engine speed detection connector
- A-13 (2-B) Brake fluid level sensor
- A-14 (2-B) Purge control solenoid valve
- A-19 (2-B) Side turn signal lamp (LH)
- A-20 (7-B) Air flow sensor
- A-21 (2-B) Front speed sensor (LH) <ABS>
- A-22** (10-B) Front wiring harness and control wiring harness combination

- A-23 (6-B) Control wiring harness and battery cable assembly combination
- A-24 (2-B) Front turn signal lamp (LH)
- A-25 (2-B) Horn (LH)
- A-27** (2-GR) Front fog lamp (LH)
- A-28 (3-B) Input shaft speed sensor <A/T>
- A-29 (3-GR) Output shaft speed sensor <A/T>
- A-30 (10-GR) ELC-4A/T control solenoid valve
- A-31 (2-B) Back-up lamp switch <M/T>
- A-32 (2-B) Radiator fan motor



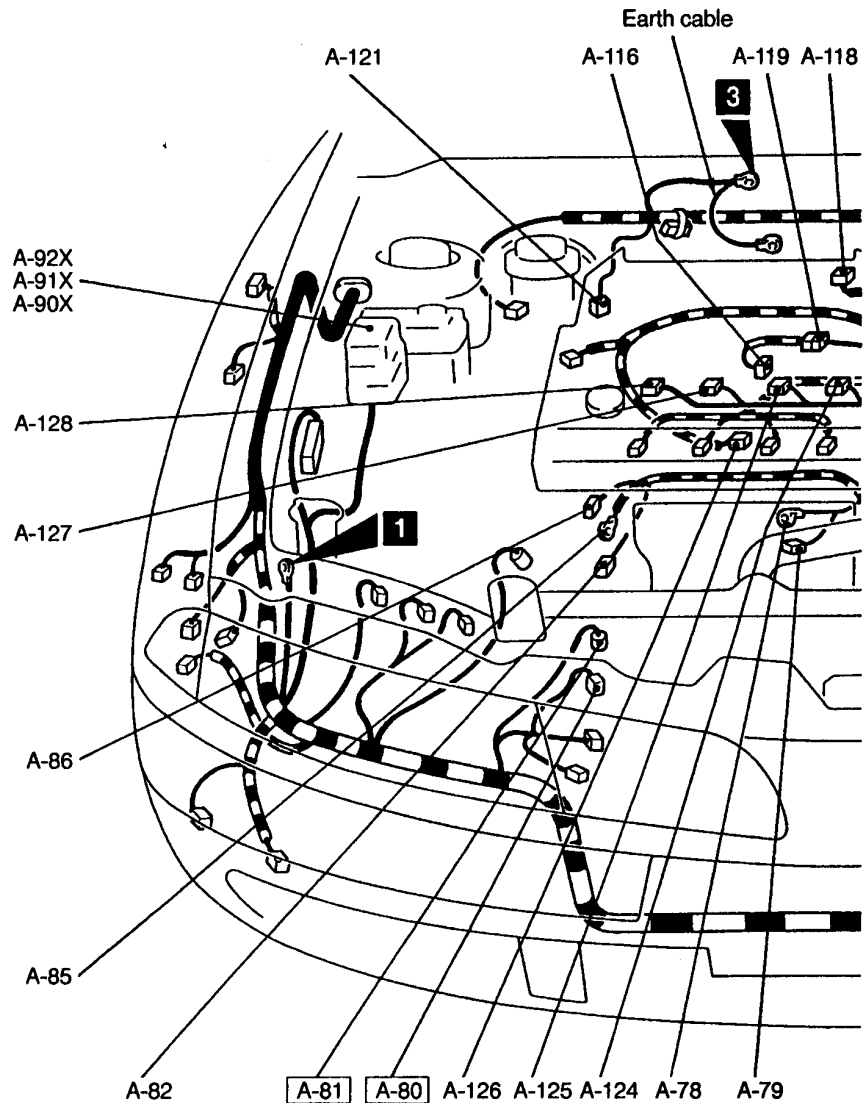
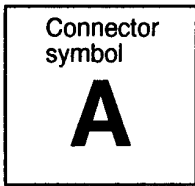
- A-33 (10-B) Inhibitor switch <A/T>
- A-34 (4-B) Condenser fan motor
- A-35 (2-B) Outside thermo sensor <Full-auto A/C>
or no connection <Manual A/C>
- A-36 (1) Power steering oil pressure switch
- A-37 (2-B) Position lamp (RH)
- A-38 (3-B) Headlamp (RH)
- A-39 (3-B) Headlamp leveling unit (RH)
- A-40 (2-GR) Front fog lamp (RH)
- A-41 (2-B) Horn (RH)
- A-43 (2-BR) Washer fluid level sensor
- A-44 (2) Headlamp washer motor
- A-45 (2) Rear washer motor

- A-46 (2) Windshield washer motor
- A-47 (2-B) Front turn signal lamp (RH)
- A-48 (31-B) ABS-ECU
- A-49 (2-B) Front speed sensor (RH) <ABS>
- A-50 (2-B) Side turn signal lamp (RH)
- A-51 (2-GR) Injector No.1
- A-52 (2-GR) Injector No.2
- A-53 (2-GR) Injector No.3
- A-54 (2-GR) Injector No.4

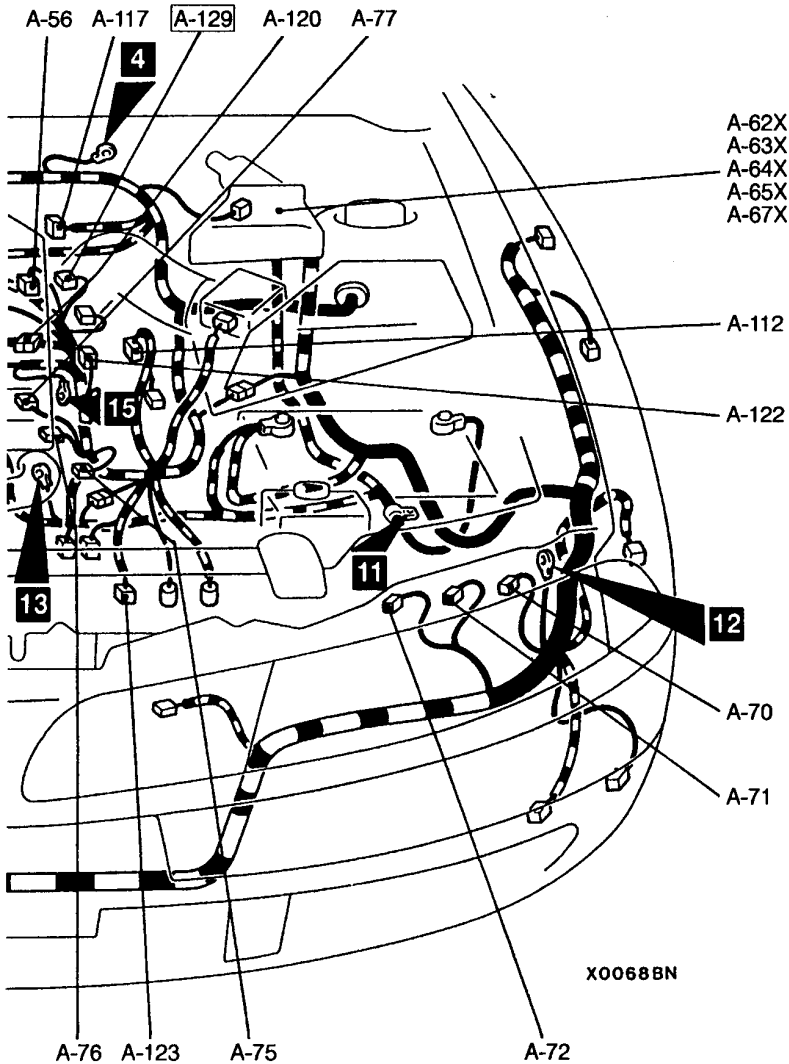
NOTE

Connector numbers in are connector numbers which have been changed or added.

GDI <R.H. drive vehicles>



- | | | | |
|------------|---------------------------------------|-------------|--|
| A-56 (4-B) | Throttle position sensor | A-76 (2-B) | Engine coolant temperature sensor |
| A-62X (4) | Alternator relay | A-77 (2-GR) | Detonation sensor |
| A-63X (5) | Radiator fan relay | A-78 (1) | Starter |
| A-64X (5) | Headlamp relay | A-79 (1-B) | Starter |
| A-65X (5) | Headlamp washer relay | A-80 (2-BR) | Dual pressure switch |
| A-67X (5) | Horn relay <SRS> | A-81 (1-B) | A/C refrigerant temperature switch and magnetic clutch |
| A-70 (3-B) | Headlamp leveling unit (LH) | A-82 (1-B) | Oil pressure switch |
| A-71 (3-B) | Headlamp (LH) | A-85 (1) | Alternator |
| A-72 (2-B) | Position lamp (LH) | A-86 (4-DG) | Alternator |
| A-75 (1-B) | Engine coolant temperature gauge unit | | |



- A-90X (5) Condenser fan relay (LO)
- A-91X (5) Condenser fan relay (HI)
- A-92X (5) A/C compressor relay
- A-112 (3-B) Vehicle speed sensor
- A-116 (6-DG) EGR servo
- A-117 (26-B) Injector driver
- A-118 (4-GR) Injector driver control relay
- A-119 (8-B) Control wiring harness and ABV wiring harness combination
- A-120 (8-B) Control wiring harness and injector wiring harness combination
- A-121 (3-B) Brake vacuum sensor

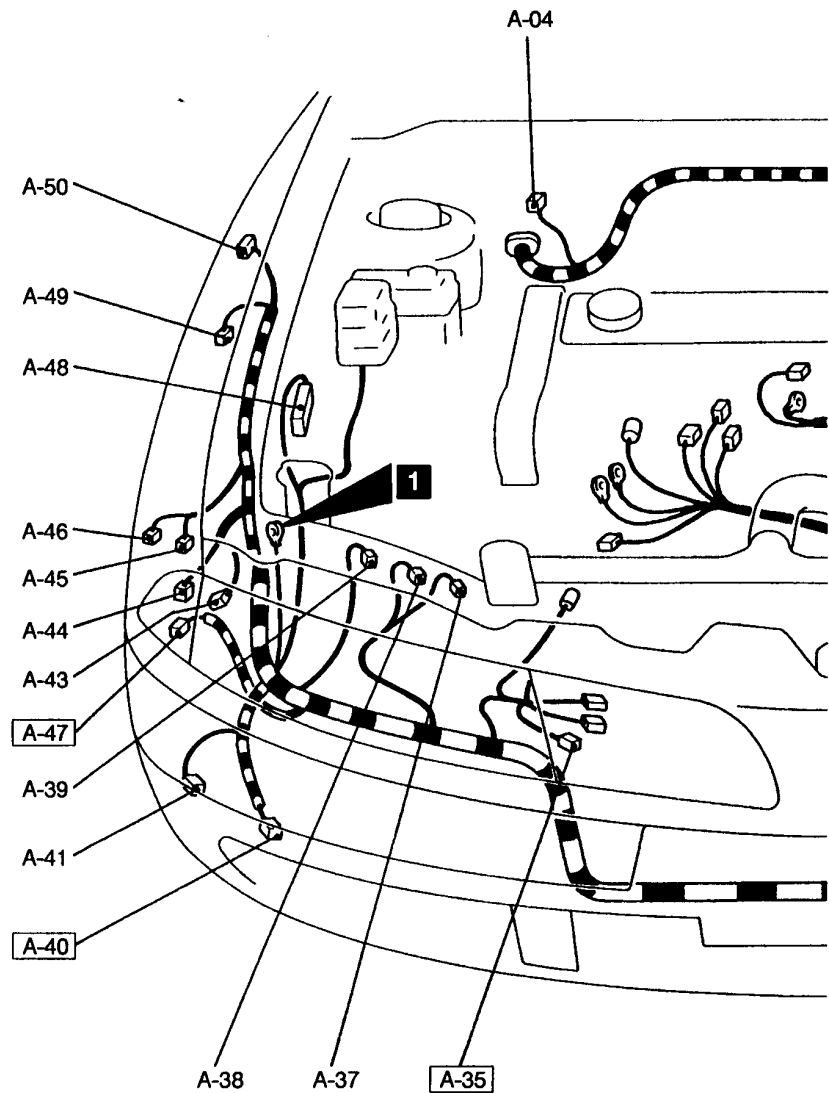
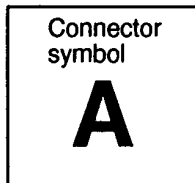
- A-122 (3-B) Fuel pressure sensor
- A-123 (2-GR) M/T oil temperature sensor
- A-124 (3-GR) Ignition coil 4
- A-125 (3-GR) Ignition coil 3
- A-126 (4-B) Oxygen sensor
- A-127 (3-GR) Ignition coil 2
- A-128 (3-GR) Ignition coil 1
- A-129 (4-DG) Throttle control servo

NOTE

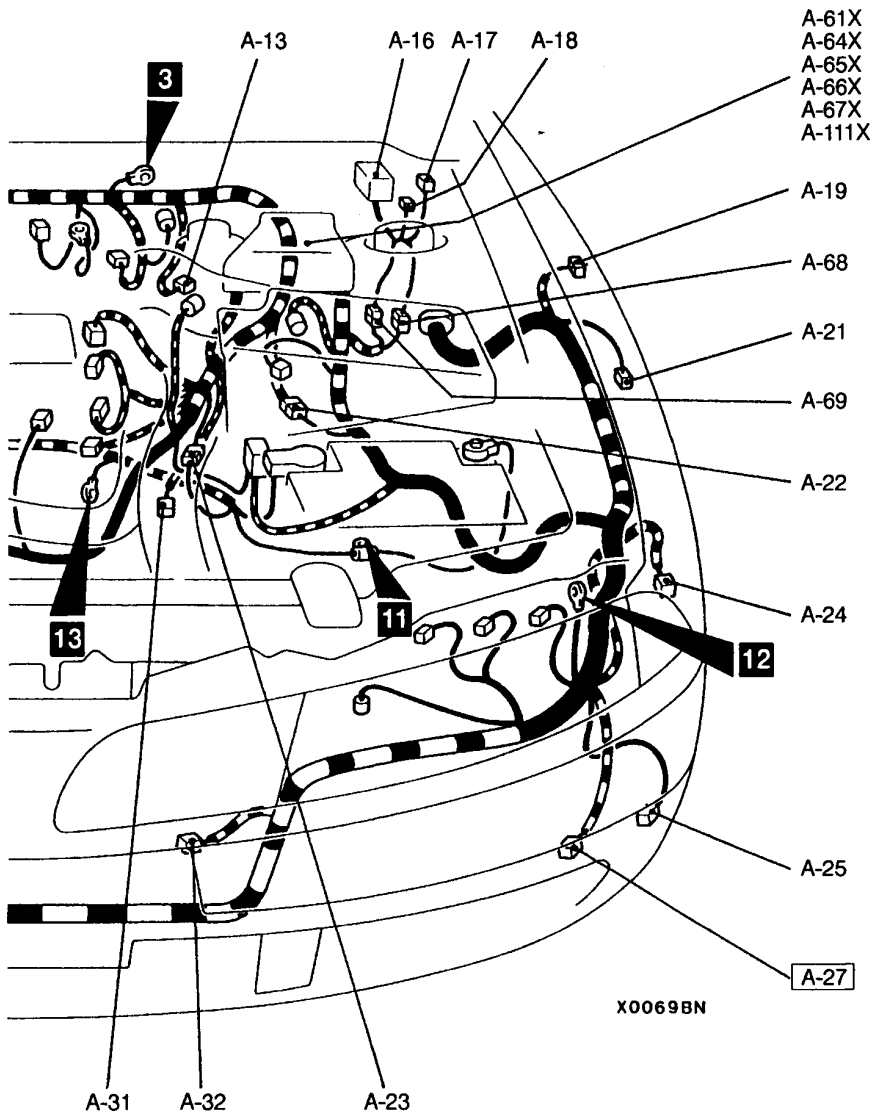
Connector numbers in are connector numbers which have been changed or added.

ENGINE COMPARTMENT

Diesel <L.H. drive vehicles>



A-04 (5-B)	Windshield wiper motor	A-24 (2-B)	Front turn signal lamp (LH)
A-13 (2-B)	Brake fluid level sensor	A-25 (2-B)	Horn (LH)
A-16 (12)	DRL-ECU	<u>A-27</u> (2-GR)	Front fog lamp (LH)
A-17 (4)	DRL relay 1	A-31 (2-G)	Back-up lamp switch
A-18 (4)	DRL relay 2	A-32 (4-B)	Radiator fan motor
A-19 (2-B)	Side turn signal lamp (LH)	<u>A-35</u> (2-B)	Outside thermo sensor <Full-auto A/C> or no connection <Manual A/C>
A-21 (2-B)	Front speed sensor (LH) <ABS>	A-37 (2-B)	Position lamp (RH)
A-22 (6-B)	Front wiring harness and control wiring harness combination	A-38 (3-B)	Headlamp (RH)
A-23 (2-B)	Control wiring harness and battery cable assembly combination	A-39 (3-B)	Headlamp leveling unit (RH)
		<u>A-40</u> (2-GR)	Front fog lamp (RH)

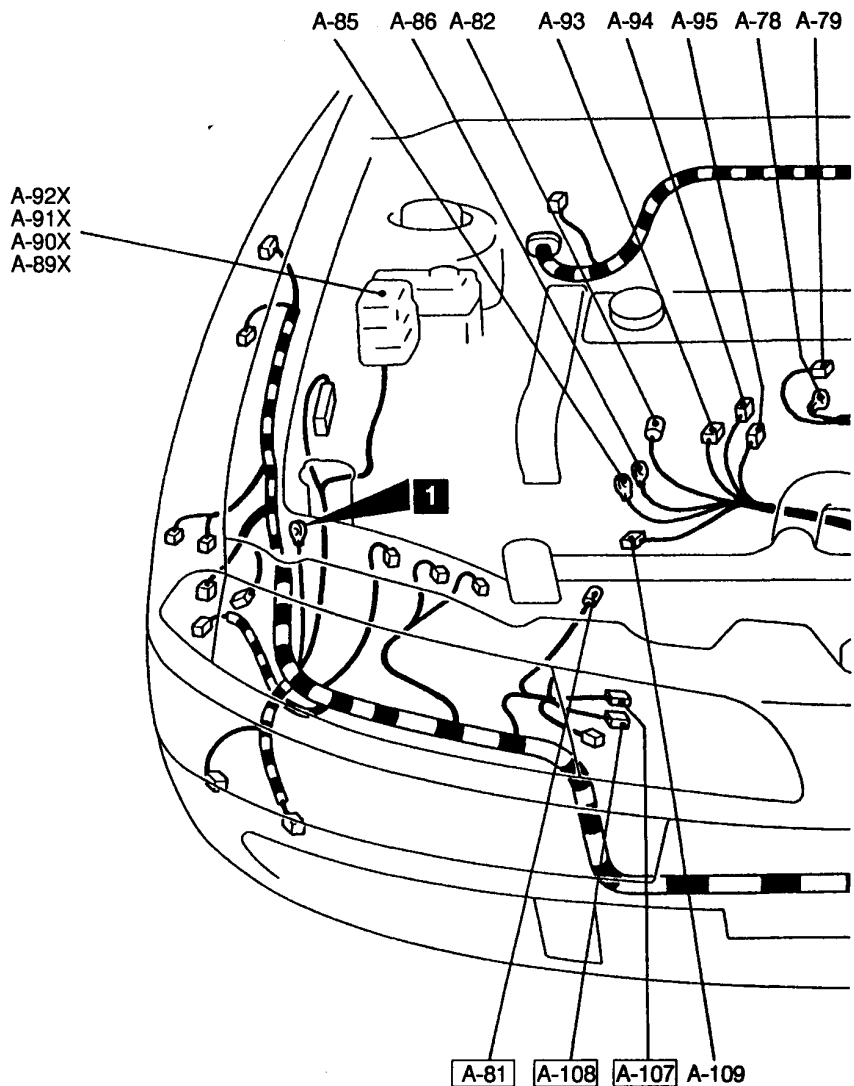
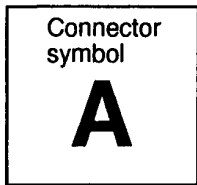


- A-41 (2-B) Horn (RH)
- A-43 (2-BR) Washer fluid level sensor
- A-44 (2) Headlamp washer motor
- A-45 (2) Rear washer motor
- A-46 (2) Windshield washer motor
- A-47 (2-B) Front turn signal lamp (RH)
- A-48 (31) ABS-ECU
- A-49 (2-B) Front speed sensor (RH) <ABS>
- A-50 (2-B) Side turn signal lamp (RH)
- A-61X (5) Tail lamp relay <DRL>
- A-64X (5) Headlamp relay
- A-65X (5) Headlamp washer relay

- A-66X (5) Fuel line heater relay
- A-67X (5) Horn relay <SRS>
- A-68 (10-B) Front wiring harness and DRL wiring harness combination
- A-69 (10-B) Front wiring harness and DRL wiring harness combination
- A-111X (5) Radiator fan relay (LO)

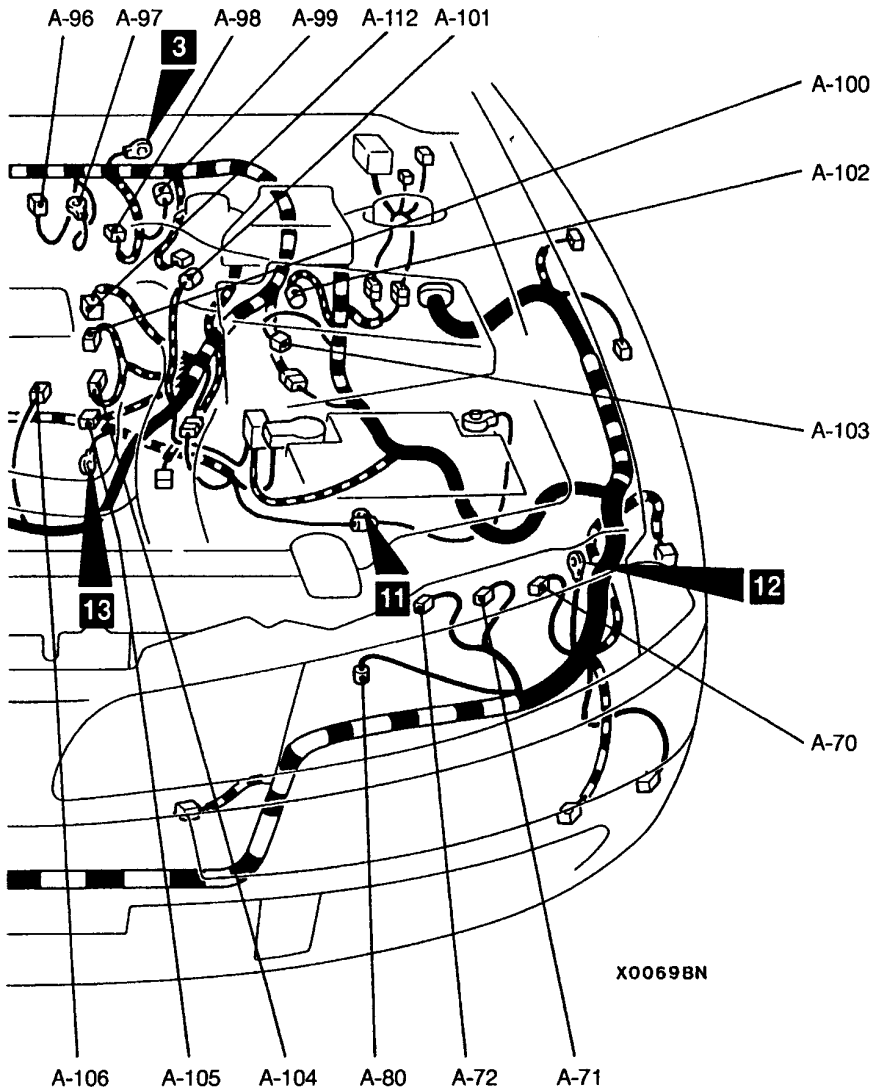
NOTE
 Connector numbers in are connector numbers which have been changed or added.

Diesel <L.H. drive vehicles>



- A-70 (3-B) Headlamp leveling unit (LH)
- A-71 (3-B) Headlamp (LH)
- A-72 (2-B) Position lamp (LH)
- A-78 (1) Starter
- A-79 (1) Starter
- A-80 (2-BR) Dual pressure switch
- A-81**(1-B) A/C refrigerant temperature switch and magnetic clutch
- A-82 (1) Oil pressure switch
- A-85 (1) Alternator

- A-86 (2) Alternator
- A-89X (5) Radiator fan relay (HI)
- A-90X (5) Condenser fan relay (LO)
- A-91X (5) Condenser fan relay (HI)
- A-92X (5) A/C compressor relay
- A-93 (3-B) Immobilizer
- A-94 (3-G) Lever position sensor
- A-95 (2-B) Timing control solenoid valve
- A-96 (3-B) Glow relay box
- A-97 (1) Glow relay box



- A-98 (2-B) EGR solenoid valve
- A-99 (2-GR) Fast idle on/off solenoid valve
- A-100 (2-W) Engine coolant temperature sensor
- A-101 (2-B) Air temperature sensor
- A-102 (2-GR) Fuel line heater thermo switch
- A-103 (2-B) Fuel line heater
- A-104 (4-G) Engine coolant temperature gauge unit
- A-105 (2) Top dead center and engine speed sensor

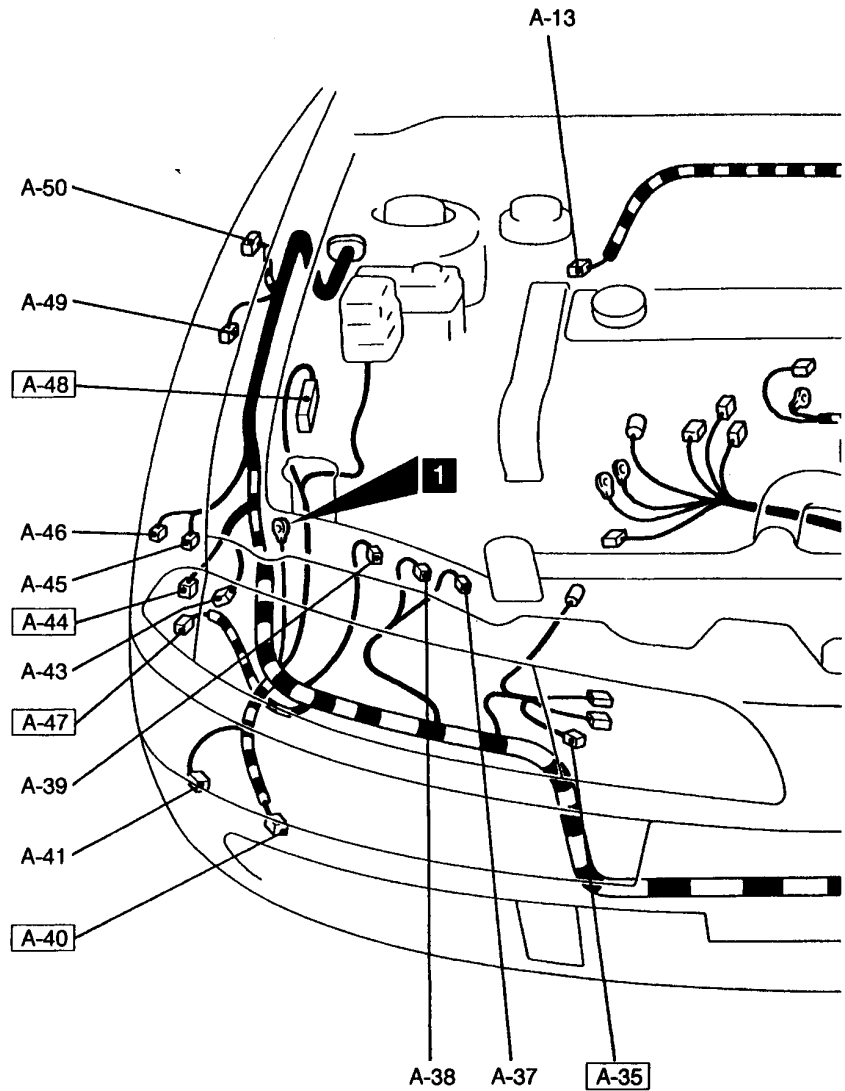
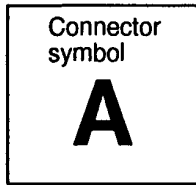
- A-106 (2-B) Needle lift sensor
- A-107 (2-B) Condenser fan motor
- A-108 (2-GR) Condenser fan motor
- A-109 (1) Alternator
- A-112 (3-B) Vehicle speed sensor

NOTE

Connector numbers in are connector numbers which have been changed or added.

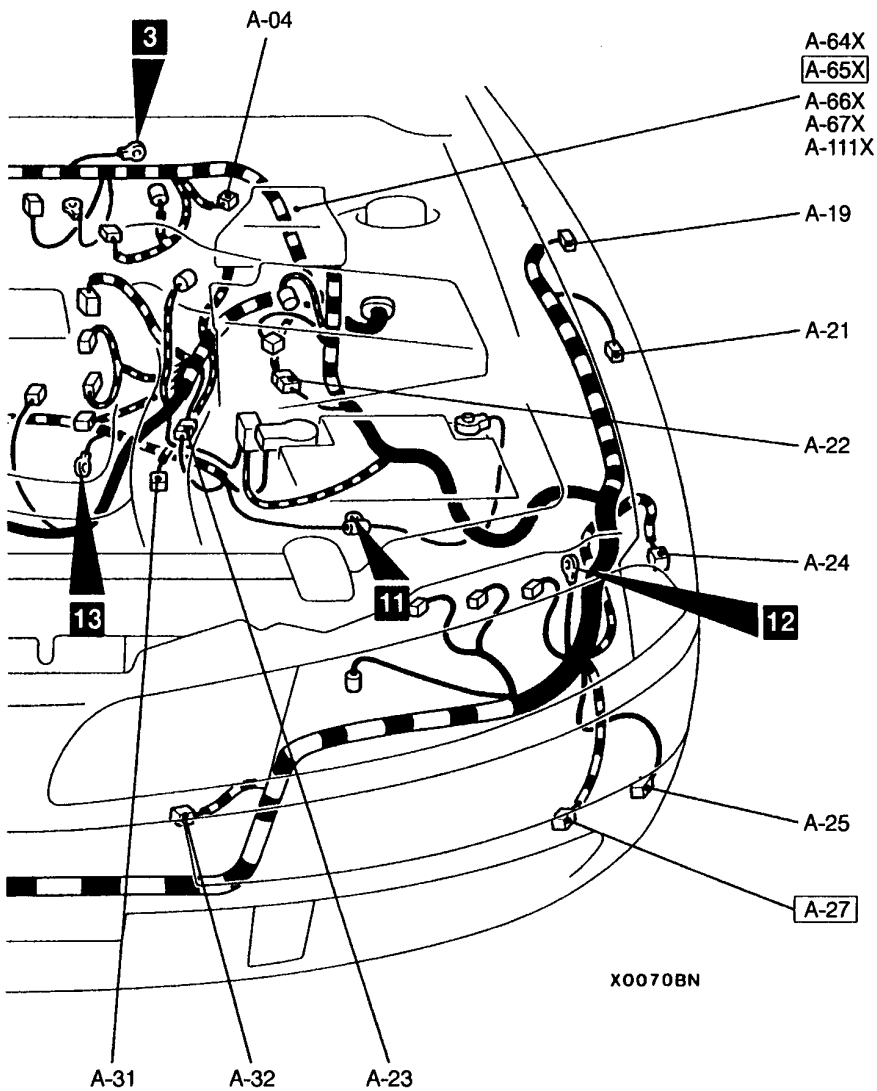
ENGINE COMPARTMENT

Diesel <R.H. drive vehicles>



- A-04 (5-B) Windshield wiper motor
- A-13 (2-B) Brake fluid level sensor
- A-19 (2-B) Side turn signal lamp (LH)
- A-21 (2-B) Front speed sensor (LH) <ABS>
- A-22 (6-B) Front wiring harness and control wiring harness combination
- A-23 (2-B) Control wiring harness and battery cable assembly combination
- A-24 (2-B) Front turn signal lamp (LH)
- A-25 (2-B) Horn (LH)

- A-27 (2-GR) Front fog lamp (LH)
- A-31 (2-G) Back-up lamp switch
- A-32 (4-B) Radiator fan motor
- A-35 (2-B) Outside thermo sensor <Full-auto A/C> or no connection <Manual A/C>
- A-37 (2-B) Position lamp (RH)
- A-38 (3-B) Headlamp (RH)
- A-39 (3-B) Headlamp leveling unit (RH)
- A-40 (2-GR) Front fog lamp (RH)

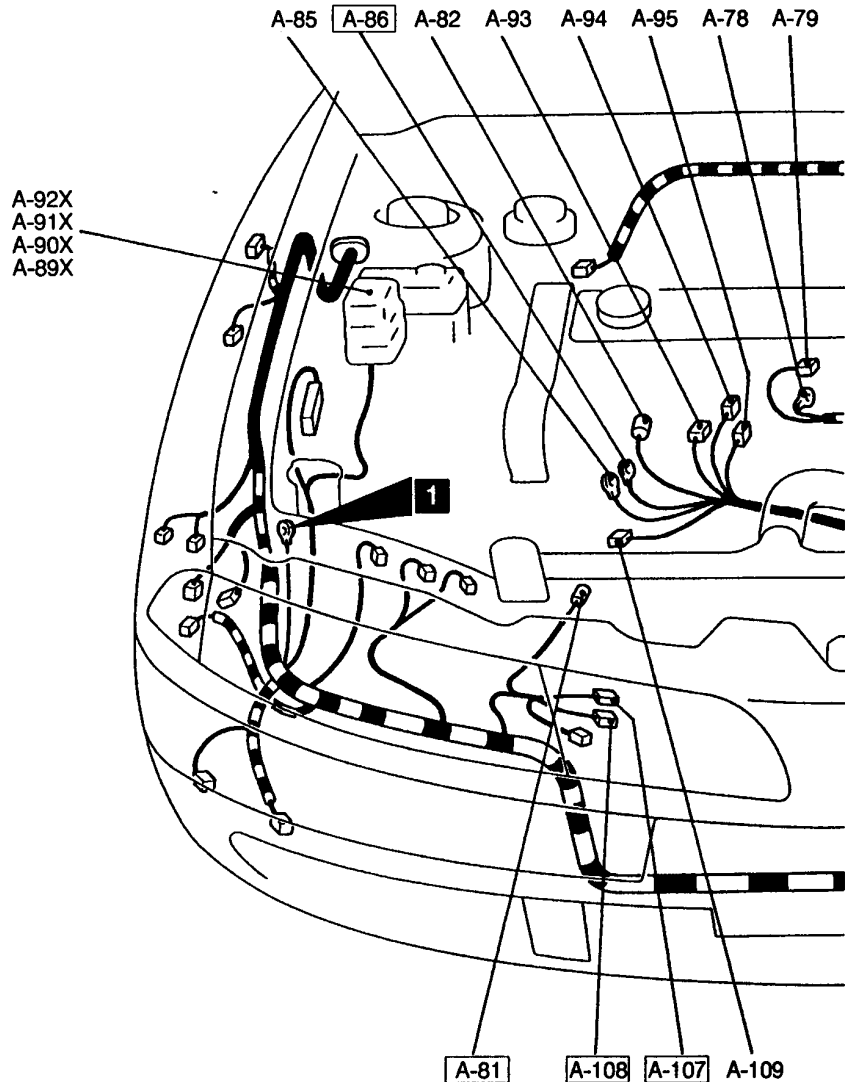
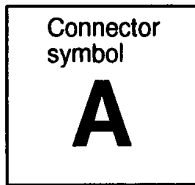


- A-41 (2-B) Horn (RH)
- A-43 (2-BR) Washer fluid level sensor
- A-44 (2) Headlamp washer motor
- A-45 (2) Rear washer motor
- A-46 (2) Windshield washer motor
- A-47 (2) Front turn signal lamp (RH)
- A-48 (31-B) ABS-ECU
- A-49 (2-B) Front speed sensor (RH) <ABS>
- A-50 (2-B) Side turn signal lamp (RH)

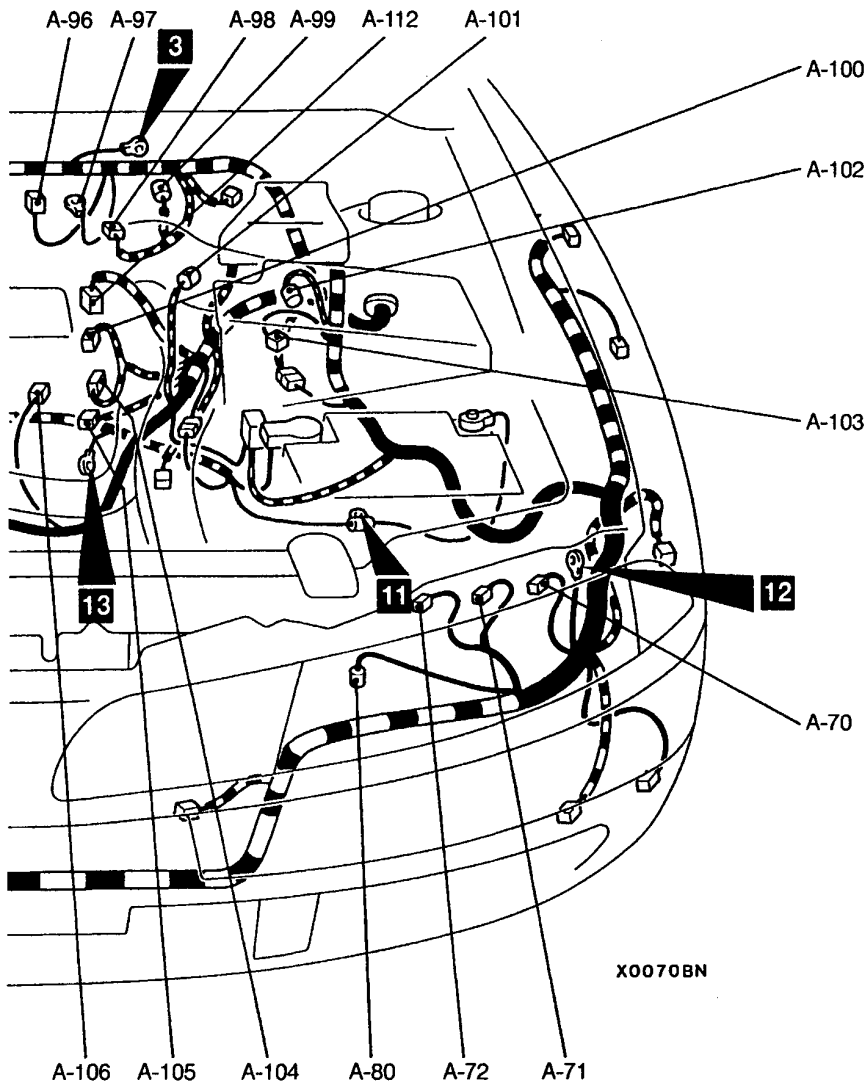
- A-64X (5) Headlamp relay
- A-65X (5) Headlamp washer relay
- A-66X (5) Fuel line heater relay
- A-67X (5) Horn relay <SRS>
- A-111X (5) Radiator fan relay (LO)

NOTE
 Connector numbers in are connector numbers which have been changed or added.

Diesel <R.H. drive vehicles>



- | | | | |
|-------------------|--|-----------------|-------------------------------|
| A-70 (3-B) | Headlamp leveling unit (LH) | A-86 (1) | Alternator |
| A-71 (3-B) | Headlamp (LH) | A-89X (5) | Radiator fan relay (HI) |
| A-72 (2-B) | Position lamp (LH) | A-90X (5) | Condenser fan relay (LO) |
| A-78 (1) | Starter | A-91X (5) | Condenser fan relay (HI) |
| A-79 (1) | Starter | A-92X (5) | A/C compressor relay |
| A-80 (2-BR) | Dual pressure switch | A-93 (3-B) | Immobilizer |
| A-81 (1-B) | A/C refrigerant temperature switch and magnetic clutch | A-94 (3-G) | Lever position sensor |
| A-82 (1) | Oil pressure switch | A-95 (2-B) | Timing control solenoid valve |
| A-85 (1) | Alternator | A-96 (3-B) | Glow relay box |
| | | A-97 (1) | Glow relay box |



- A-98 (2-B) EGR solenoid valve
- A-99 (2-GR) Fast idle on/off solenoid valve
- A-100 (2-W) Engine coolant temperature sensor
- A-101 (2-B) Air temperature sensor
- A-102 (2-GR) Fuel line heater thermo switch
- A-103 (2-B) Fuel line heater
- A-104 (4-G) Engine coolant temperature gauge unit
- A-105 (2) Top dead center and engine speed sensor

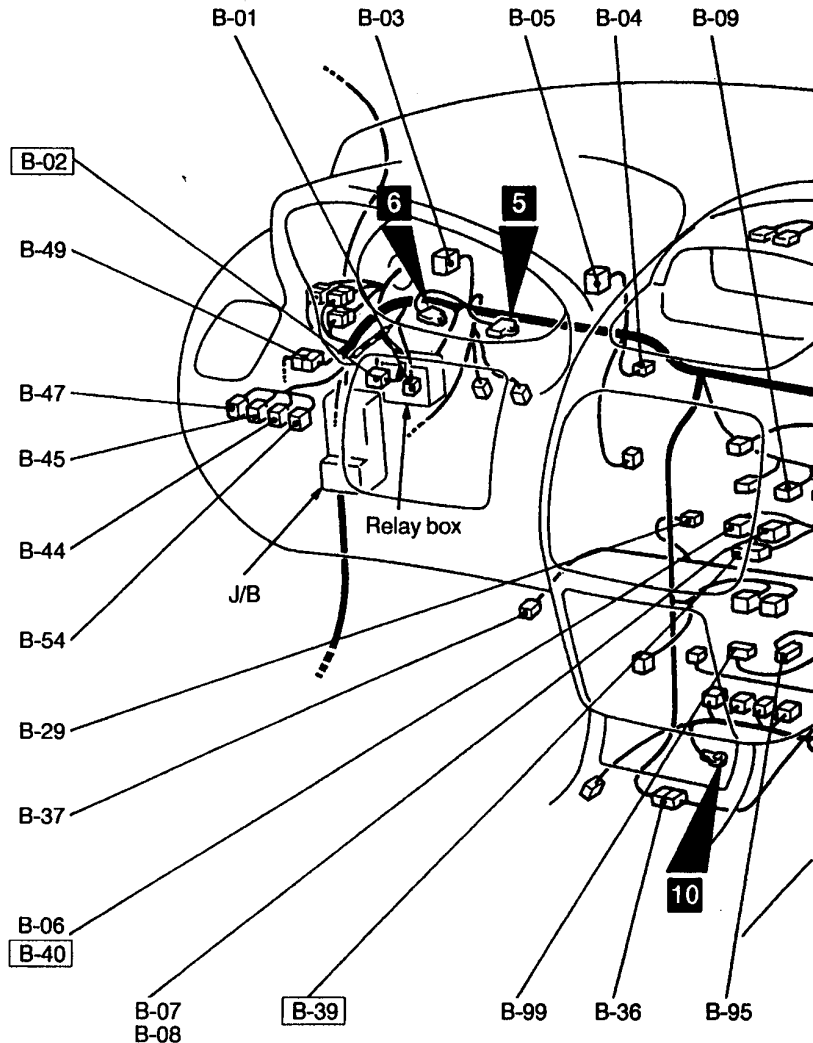
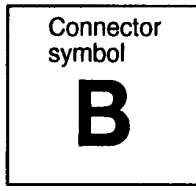
- A-106 (2-B) Needle lift sensor
- A-107 (2-B) Condenser fan motor
- A-108 (2-GR) Condenser fan motor
- A-109 (1) Alternator
- A-112 (3-B) Vehicle speed sensor

NOTE

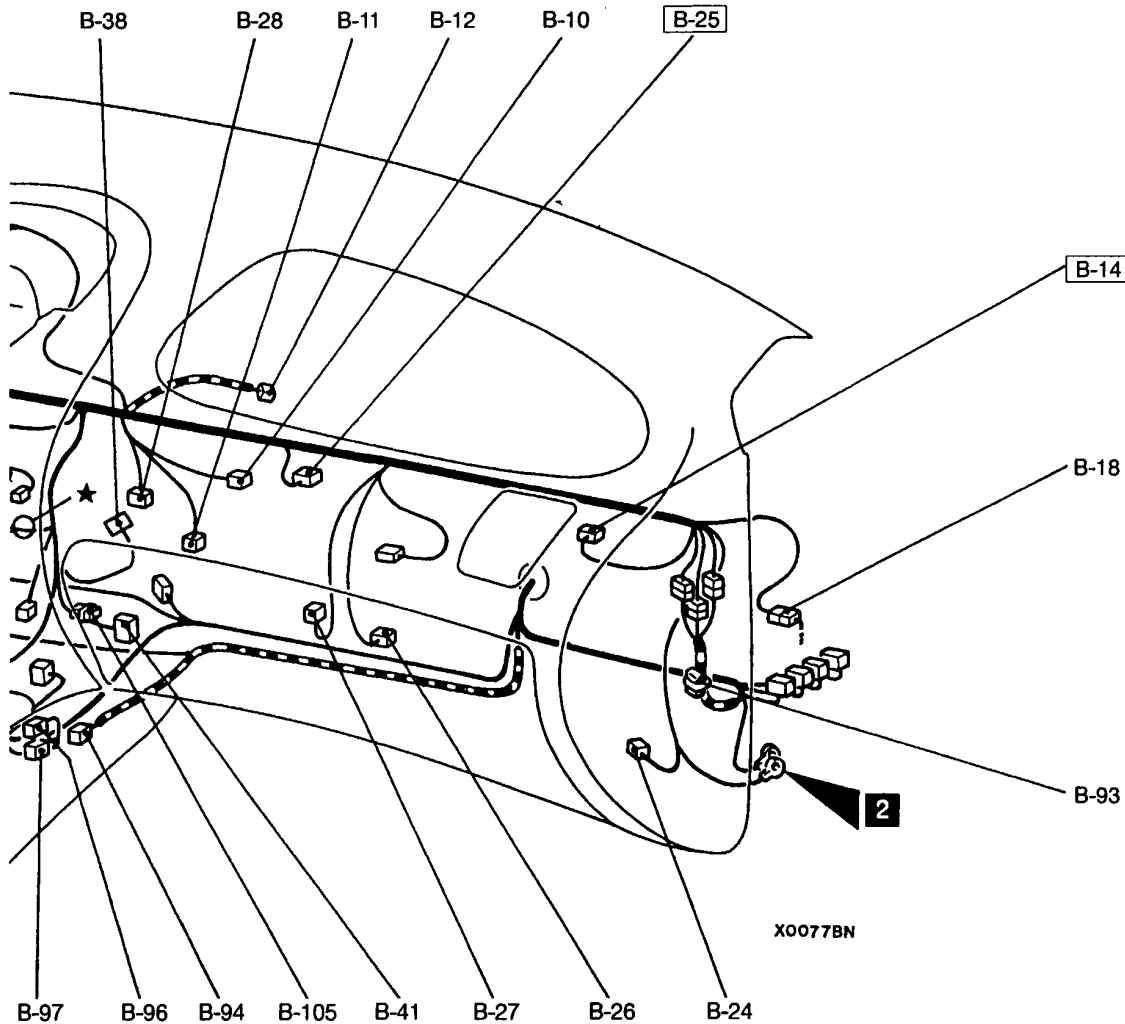
Connector numbers in are connector numbers which have been changed or added.

DASH PANEL

L.H. drive vehicles



B-01 (2)	Clutch switch <Auto-cruise control system>	B-11 (2)	Heater water temperature sensor <Full-auto A/C>
B-02 (12-B)	Immobilizer-ECU	B-12 (2-R)	Air bag module (squib) (passenger's side)
B-03 (25)	Combination meter	B-14 (4)	Outside/inside air selection damper motor <Full-auto A/C>
B-04 (6)	Mode selection damper control motor <Full-auto A/C>	B-18 (20)	Front door wiring harness (passenger's side) and body wiring harness combination
B-05 (25)	Combination meter	B-24 (2)	Blower motor
B-06 (16-B)	A/C control panel and ECU assembly <Full-auto A/C>	B-25 (4)	Automatic compressor ECU <Manual A/C>
B-07 (20-B)	A/C control panel and ECU assembly <Full-auto A/C>	B-26 (4)	Resister <Heater or manual A/C>
B-08 (2)	Blower control illumination lamp <Heater and manual A/C>	B-27 (4)	Power transistor <Full-auto A/C>
B-09 (14)	Radio and tape player or CD player		
B-10 (2)	Photo sensor <Full-auto A/C>		



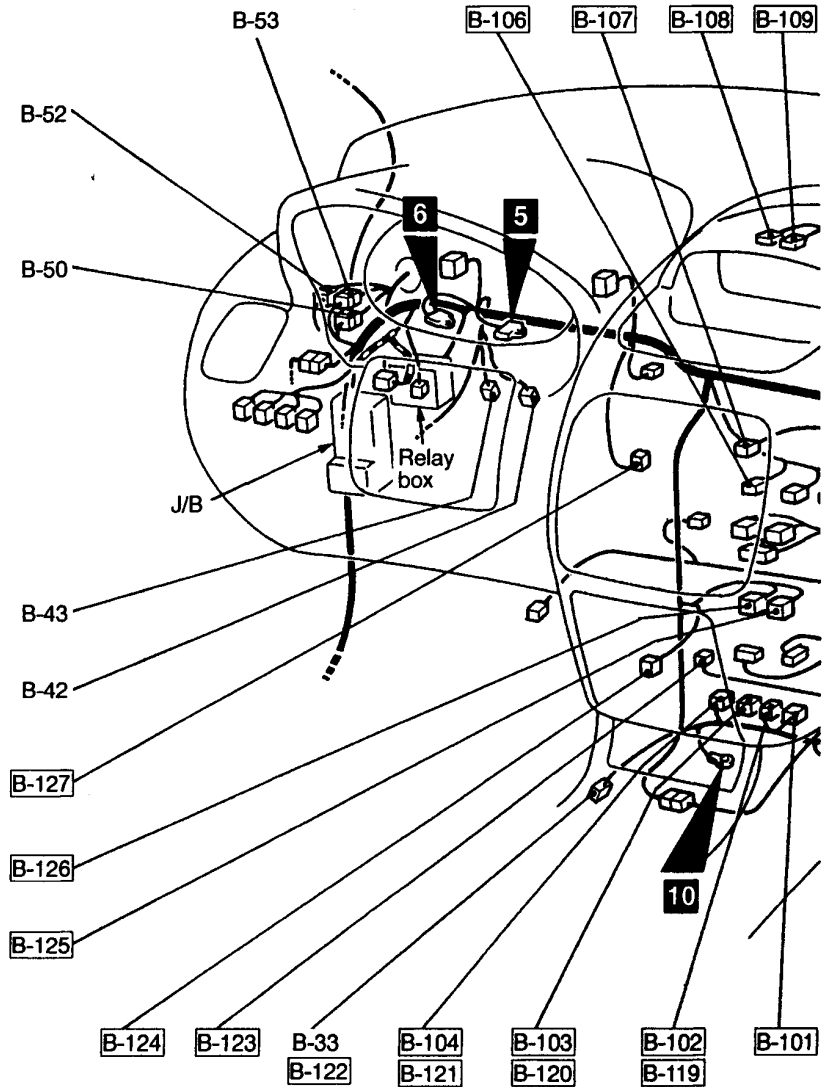
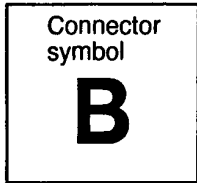
- B-28 (2-B) Air thermo sensor <A/C>
- B-29 (4) A/T relay
- B-36 (14) Control wiring harness and body wiring harness combination <A/T>
- B-37 (2-B) Wide open throttle switch <A/T>
- B-38 (6) Air mixing damper control motor <Full-auto A/C>
- B-39** (12) A/C switch <Manual A/C>
- B-40** (6) Blower switch <Heater or manual A/C>
- B-41 (16-B) Diagnosis connector
- B-44 (12) Remote controlled mirror switch
- B-45 (6) Headlamp leveling switch
- B-47 (10) Front fog lamp switch or rear fog lamp switch

- B-49 (32-B) Front door wiring harness (driver's side) and body wiring harness combination
- B-54 (3) Rheostat or jumper connector
- B-93 (2) Diode <Diesel>
- B-94 (4) Ignition relay <Diesel>
- B-95 (25) Engine-ECU <Diesel>
- B-96 (4) Engine control relay <Petrol>
- B-97 (4) Fuel pump relay <Petrol>
- B-99 (22-DG) Keyless entry receiver ECU
- B-105 (12) Diagnosis connector <Petrol-A/T>

NOTE

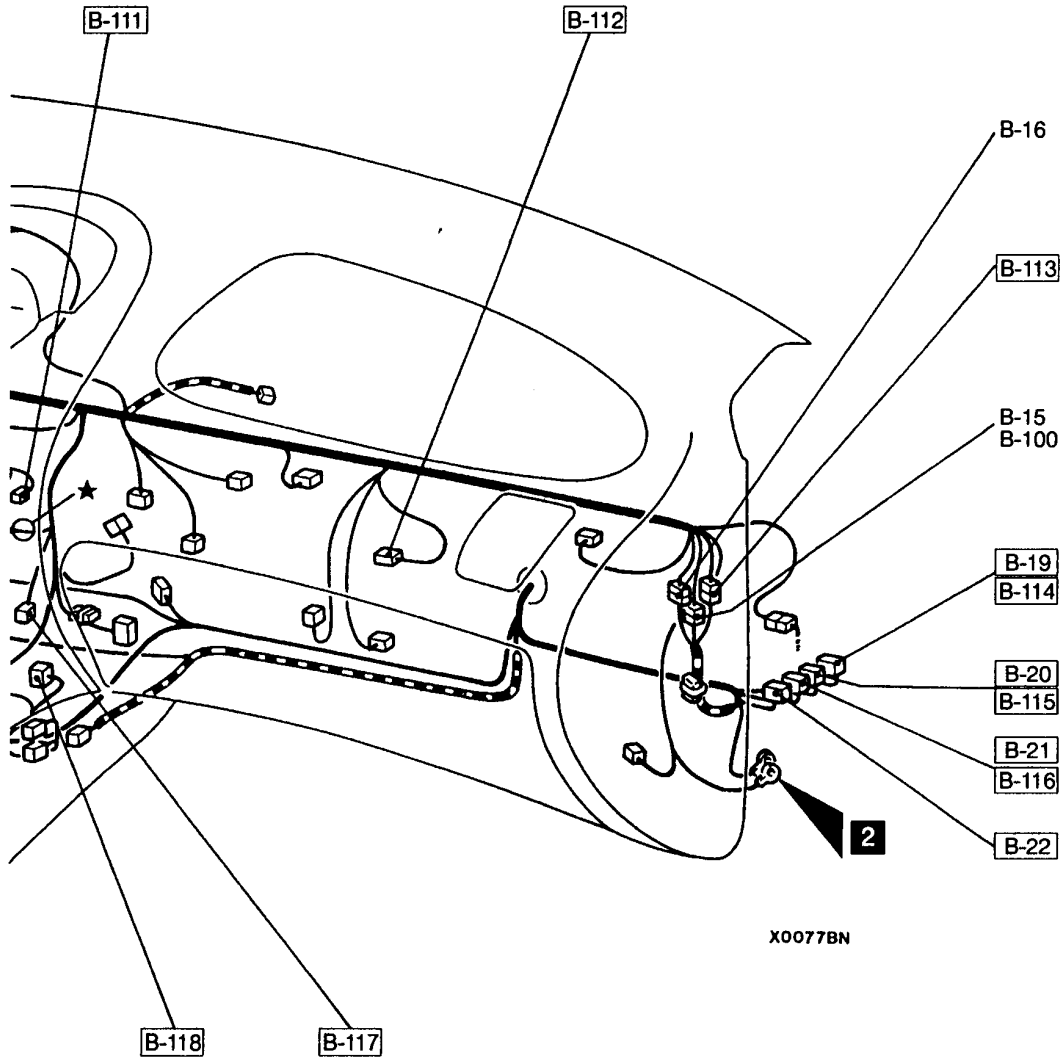
Connector numbers in are connector numbers which have been changed or added.

L.H. drive vehicles



- B-15 (4) Control wiring harness and body wiring harness combination <Petrol>
- B-16 (20) Control wiring harness and body wiring harness combination
- B-19 (26-Y) Engine-ECU <Petrol-M/T (except GDI)>
- B-20 (16-Y) Engine-ECU <Petrol-M/T (except GDI)>
- B-21 (12-Y) Engine-ECU <Petrol-M/T (except GDI)>
- B-22 (22-Y) Engine-ECU <Petrol-M/T (except GDI)>
- B-33 (4) Oxygen sensor <MPI-Vehicles without front catalytic converter>
- B-42 (3-B) Stop lamp switch <Vehicles without auto-cruise control system> or no connection <Vehicles with auto-cruise control system>
- B-43 (4-BR) Stop lamp switch <Vehicles with auto-cruise control system>

- B-50 (22-GR) Front wiring harness and body wiring harness combination
- B-52 (18) Front wiring harness and body wiring harness combination
- B-53 (10-B) Front wiring harness and body wiring harness combination
- B-100 (2) Control wiring harness and body wiring harness combination <Diesel>
- B-101 (30) Engine-A/T-ECU <Petrol-A/T (except GDI)>
- B-102 (28) Engine-A/T-ECU <Petrol-A/T (except GDI)>
- B-103 (26) Engine-A/T-ECU <Petrol-A/T (except GDI)>
- B-104 (35) Engine-A/T-ECU <Petrol-A/T (except GDI)>



X0077BN

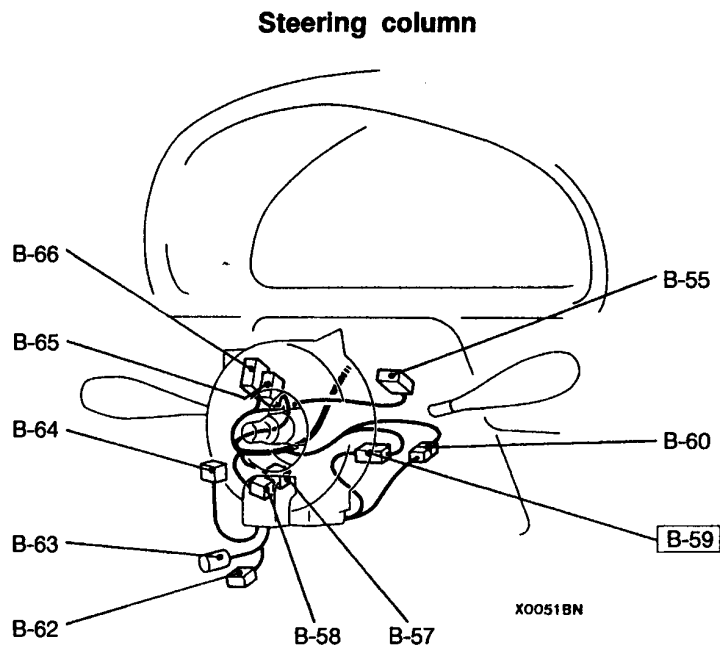
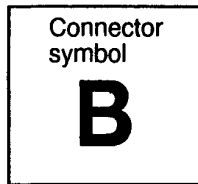
- B-106 (16) Radio and tape player or CD player
- B-107 (10) Hazard warning switch
- B-108 (16-B) Multi center display unit
- B-109 (20-B) Multi center display unit
- B-111 (1-B) Radio and tape player or CD player
- B-112 (2-B) Glove box lamp
- B-113 (18) Control wiring harness and body wiring harness combination <GDI>
- B-114 (35-GR) Engine-ECU <GDI>
- B-115 (28-GR) Engine-ECU <GDI>
- B-116 (30-GR) Engine-ECU <GDI>
- B-117 (2-B) Roof antenna
- B-118 (26-Y) Throttle valve controller <GDI>

- B-119 (22-L) A/T-ECU <Petrol-A/T (GDI)>
- B-120 (16-L) A/T-ECU <Petrol-A/T (GDI)>
- B-121 (26-L) A/T-ECU <Petrol-A/T (GDI)>
- B-122 (6) No connection
- B-123 (4) Throttle control servo relay <GDI>
- B-124 (3) Cigarette lighter
- B-125 (1-B) Navigation unit
- B-126 (12-B) Navigation unit
- B-127 (8-DG) Accelerator pedal position sensor <GDI>

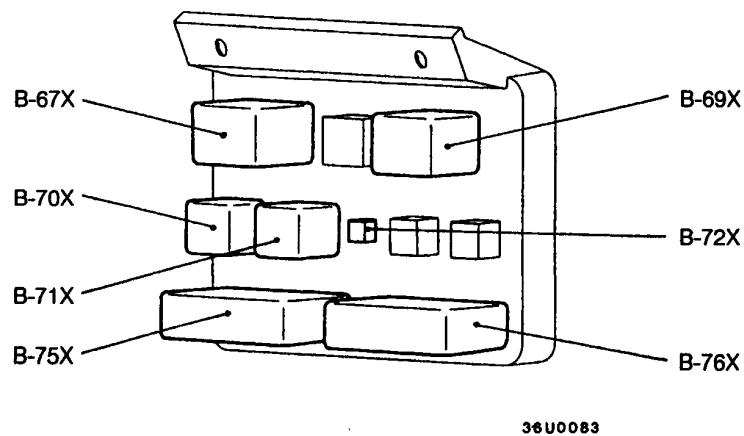
NOTE

Connector numbers in are connector numbers which have been changed or added.

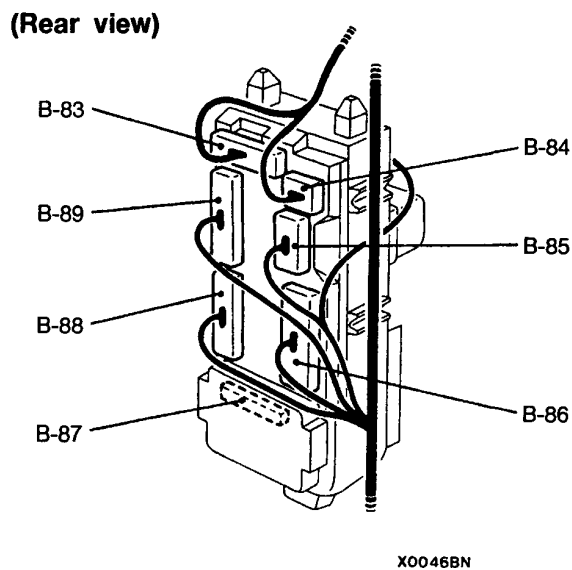
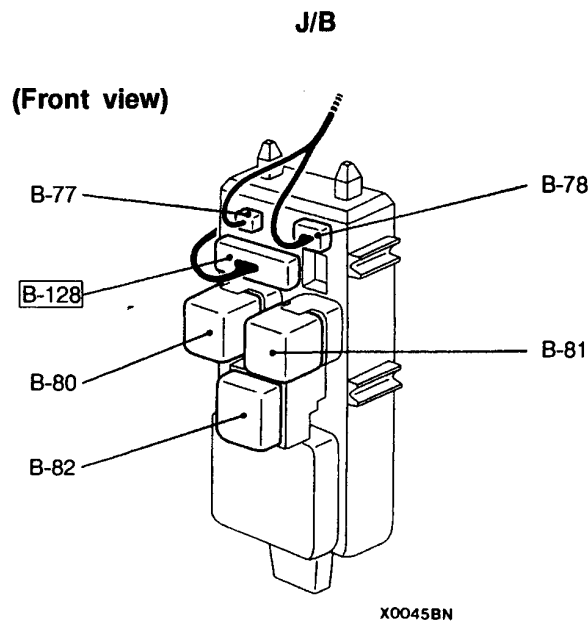
L.H. drive vehicles



Relay box in passenger compartment



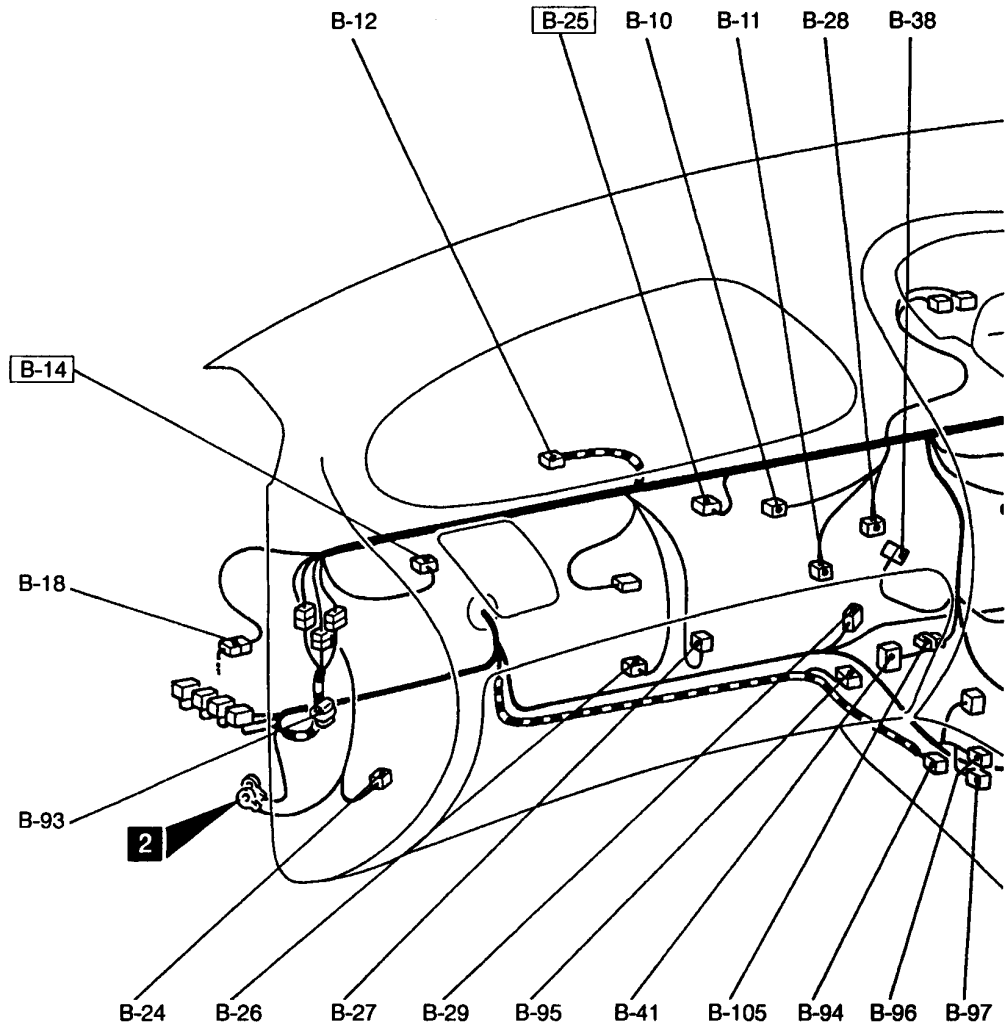
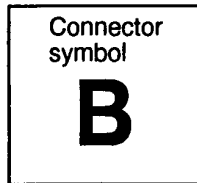
- | | | | |
|-----------------|--|------------|---|
| B-55 (12) | Column switch | B-66 (6) | Column switch |
| B-57 (2) | Ignition key ring antenna | B-67X (9) | Door lock ECU <Vehicles without keyless entry system> |
| B-58 (6) | Ignition switch | B-69X (7) | Rear intermittent wiper relay |
| B-59 (4) | Clock spring | B-70X (5) | Rear fog lamp relay |
| B-60 (2-R) | Clock spring | B-71X (5) | Front fog lamp relay |
| B-62 (2) | Auto-cruise control switch | B-72X (3) | Diode |
| B-63 (1) | Horn switch | B-75X (33) | J/C (1) |
| B-64 (2) | Air bag module (squib) (driver's side) | B-76X (33) | J/C (2) |
| B-65 (10) | Column switch | | |



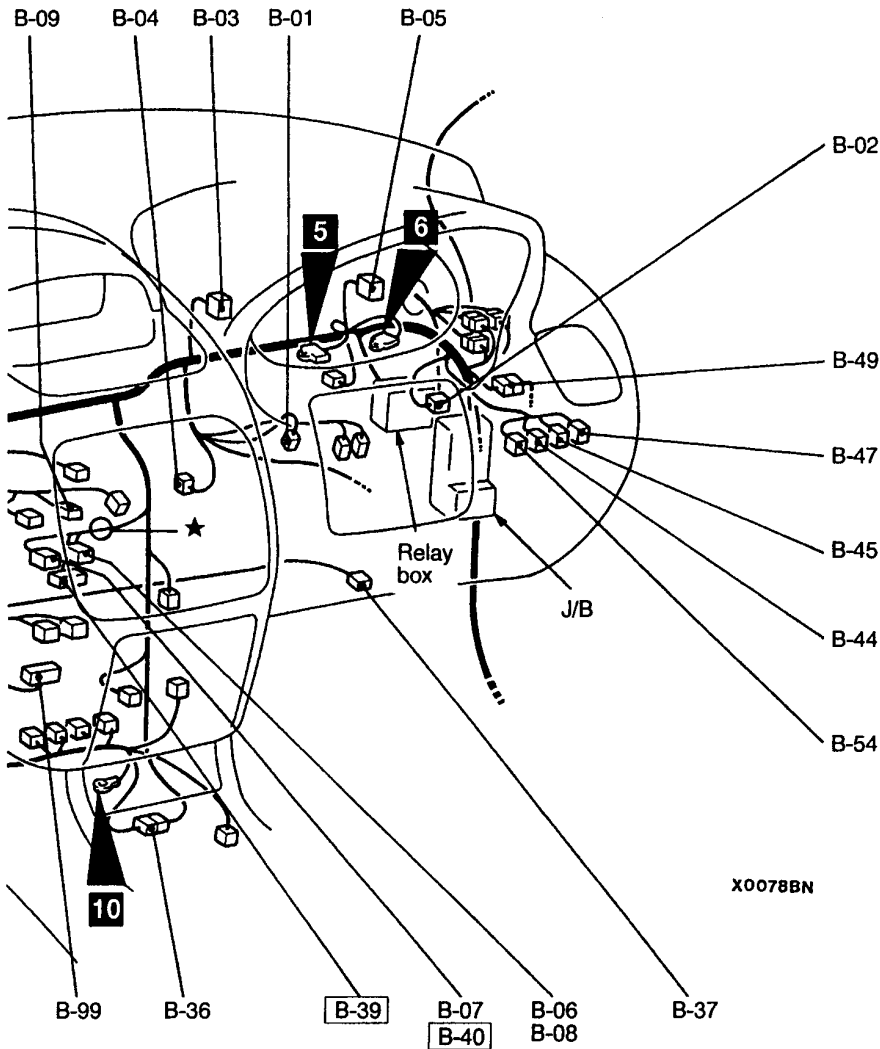
- | | | | |
|-----------|--|--|---|
| B-77 (2) | J/B and roof wiring harness combination
<Vehicles with sunroof> | B-86 (18) | J/B and body wiring harness combination |
| B-78 (6) | J/B and roof wiring harness combination | B-87 (10) | Buzzer-ECU |
| B-80 (5) | Blower relay | B-88 (22) | J/B and body wiring harness combination |
| B-81 (5) | Defogger relay | B-89 (22) | J/B and body wiring harness combination |
| B-82 (5) | Turn-signal and hazard warning flasher unit | B-128 (18) | J/B and body wiring harness combination |
| B-83 (20) | J/B and front wiring harness combination | NOTE | |
| B-84 (2) | J/B and front wiring harness combination | Connector numbers in are connector numbers which have been changed or added. | |
| B-85 (3) | J/B and body wiring harness combination | | |

DASH PANEL

R.H. drive vehicles



B-01 (2)	Clutch switch <Auto-cruise control system>	B-11 (2)	Heater water temperature sensor <Full-auto A/C>
B-02 (12-B)	Immobilizer-ECU	B-12 (2-R)	Air bag module (squib) (passenger's side)
B-03 (25)	Combination meter	B-14 (4)	Outside/inside air selection damper motor <Full-auto A/C>
B-04 (6)	Mode selection damper control motor <Full-auto A/C>	B-18 (20)	Front door wiring harness (passenger's side) and body wiring harness combination
B-05 (25)	Combination meter	B-24 (2)	Blower motor
B-06 (16-B)	A/C control panel and ECU assembly <Full-auto A/C>	B-25 (4)	Automatic compressor ECU <Manual A/C>
B-07 (20-B)	A/C control panel and ECU assembly <Full-auto A/C>	B-26 (4)	Resistor <Heater or manual A/C>
B-08 (2)	Blower control illumination lamp <Heater and manual A/C>	B-27 (4)	Power transistor <Full-auto A/C>
B-09 (14)	Radio and tape player or CD player		
B-10 (2)	Photo sensor <Full-auto A/C>		



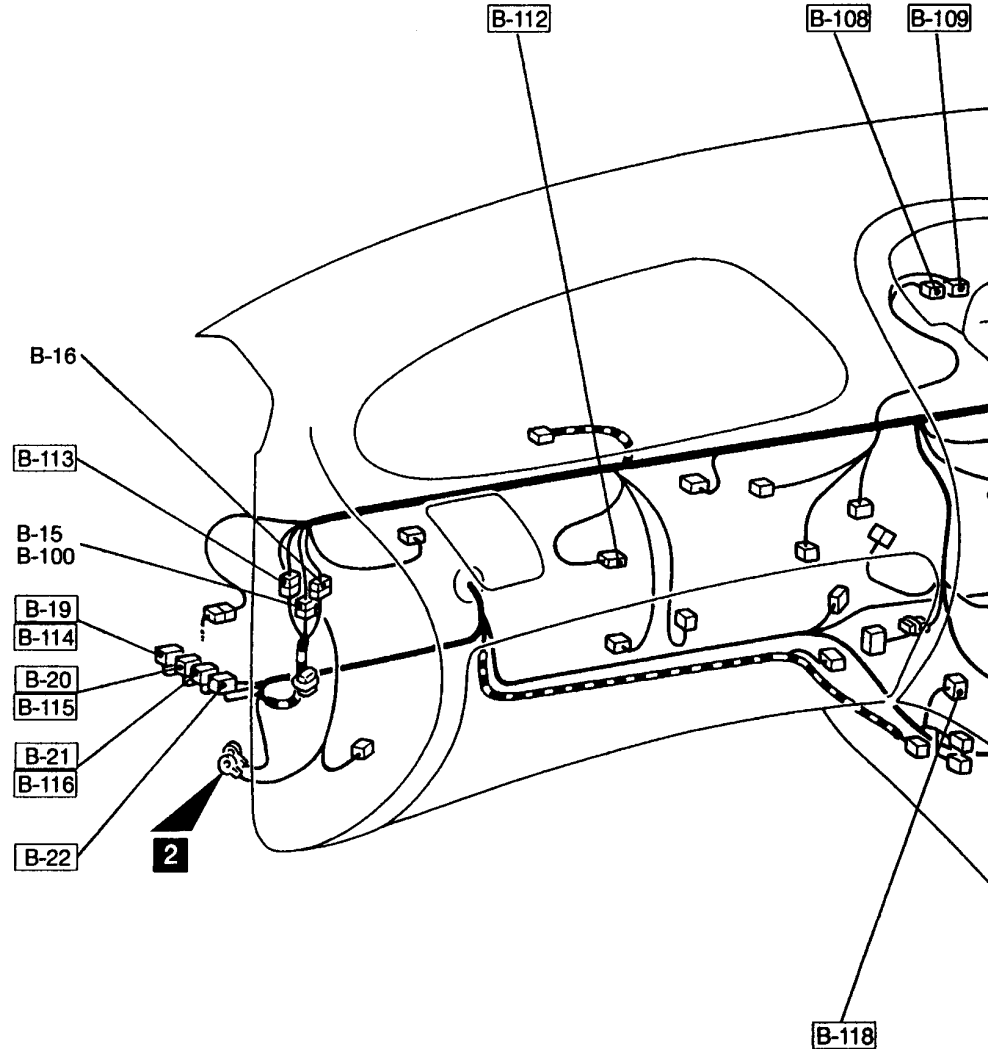
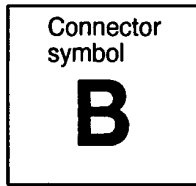
- B-28 (2-B) Air thermo sensor <A/C>
- B-29 (4) A/T relay
- B-36 (14) Control wiring harness and body wiring harness combination <A/T>
- B-37 (2-B) Wide open throttle switch <A/T>
- B-38 (6) Air mixing damper control motor <Full-auto A/C>
- B-39 (12) A/C switch <Manual A/C>
- B-40 (6) Blower switch <Heater or manual A/C>
- B-41 (16-B) Diagnosis connector
- B-44 (12) Remote controlled mirror switch
- B-45 (6) Headlamp leveling switch
- B-47 (10) Front fog lamp switch or rear fog lamp switch

- B-49 (32-B) Front door wiring harness (driver's side) and body wiring harness combination
- B-54 (3) Rheostat or jumper connector
- B-93 (2) Diode <Diesel>
- B-94 (4) Ignition relay <Diesel>
- B-95 (25) Engine-ECU <Diesel>
- B-96 (4) Engine control relay <Petrol>
- B-97 (4) Fuel pump relay <Petrol>
- B-99 (22-DG) Keyless entry receiver ECU
- B-105 (12) Diagnosis connector <Petrol-A/T>

NOTE

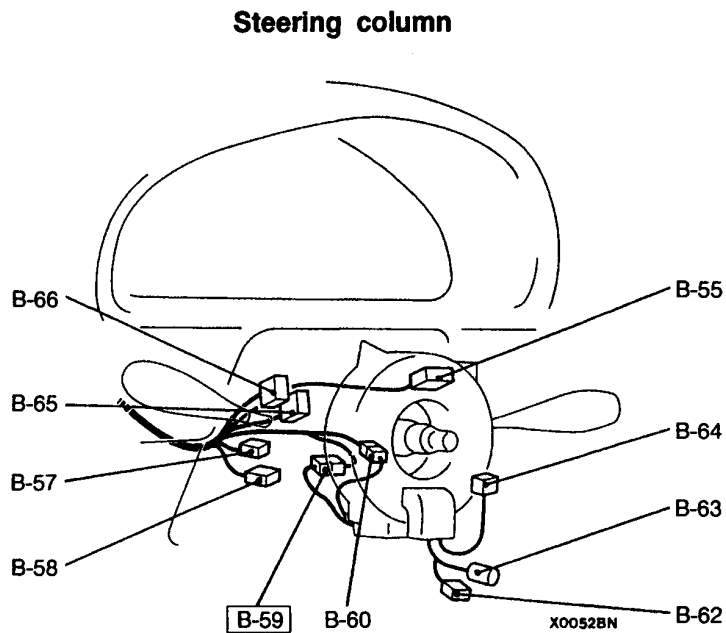
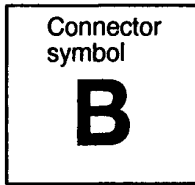
Connector numbers in are connector numbers which have been changed or added.

R.H. drive vehicles

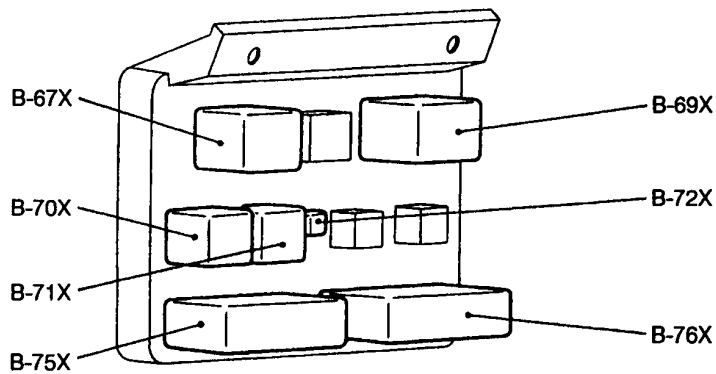


B-15 (4)	Control wiring harness and body wiring harness combination <Petrol>	B-52 (18)	Front wiring harness and body wiring harness combination
B-16 (20)	Control wiring harness and body wiring harness combination	B-53 (10-B)	Front wiring harness and body wiring harness combination
<u>B-19</u> (26-Y)	Engine-ECU <Petrol-M/T (except GDI)>	B-100 (2)	Control wiring harness and body wiring harness combination <Diesel>
<u>B-20</u> (16-Y)	Engine-ECU <Petrol-M/T (except GDI)>	<u>B-101</u> (30)	Engine-A/T-ECU <Petrol-A/T (except GDI)>
<u>B-21</u> (12-Y)	Engine-ECU <Petrol-M/T (except GDI)>	<u>B-102</u> (28)	Engine-A/T-ECU <Petrol-A/T (except GDI)>
<u>B-22</u> (22-Y)	Engine-ECU <Petrol-M/T (except GDI)>	<u>B-103</u> (26)	Engine-A/T-ECU <Petrol-A/T (except GDI)>
B-33 (4)	Oxygen sensor	<u>B-104</u> (35)	Engine-A/T-ECU <Petrol-A/T (except GDI)>
B-42 (3-B)	Stop lamp switch <Vehicles without auto-cruise control system> or no connection <Vehicles with auto-cruise control system>		
B-43 (4-BR)	Stop lamp switch <Vehicles with auto-cruise control system>		
B-50 (22-GR)	Front wiring harness and body wiring harness combination		

R.H. drive vehicles

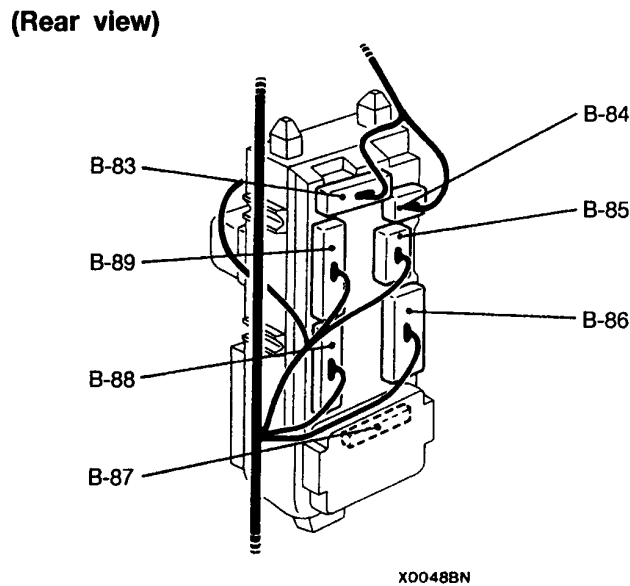
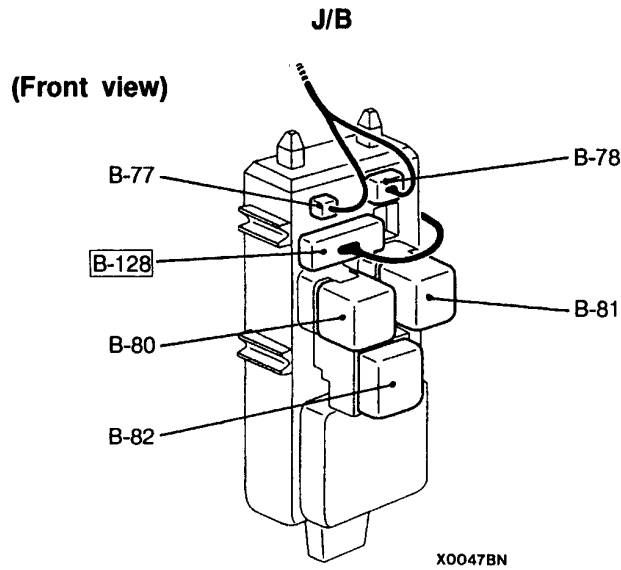


Relay box in passenger compartment



36U0082

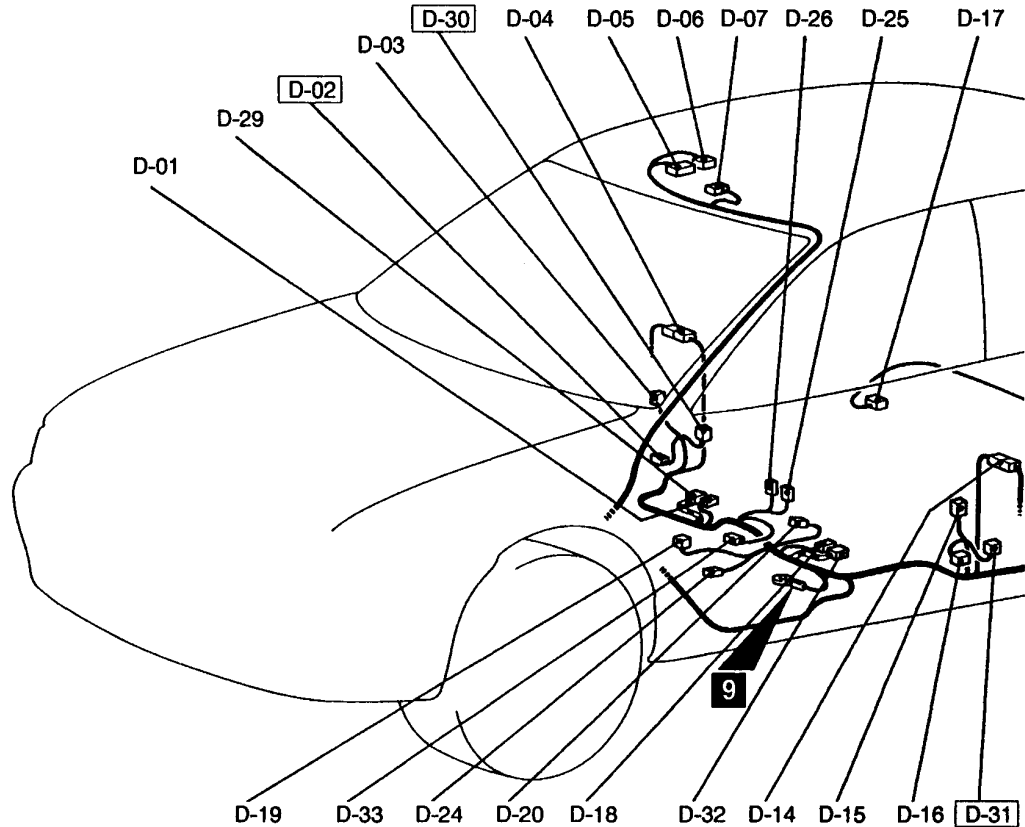
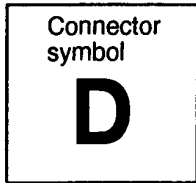
- | | | | |
|-----------------|--|------------|---|
| B-55 (12) | Column switch | B-66 (6) | Column switch |
| B-57 (2) | Ignition key ring antenna | B-67X (9) | Door lock ECU <Vehicles without keyless entry system> |
| B-58 (6) | Ignition switch | B-69X (7) | Rear intermittent wiper relay |
| B-59 (4) | Clock spring | B-70X (5) | Rear fog lamp relay |
| B-60 (2-R) | Clock spring | B-71X (5) | Front fog lamp relay |
| B-62 (2) | Auto-cruise control switch | B-72X (3) | Diode |
| B-63 (1) | Horn switch | B-75X (33) | J/C (1) |
| B-64 (2) | Air bag module (squib) (driver's side) | B-76X (33) | J/C (2) |
| B-65 (10) | Column switch | | |



- | | | | |
|-----------|--|--|---|
| B-77 (2) | J/B and roof wiring harness combination
<Vehicles with sunroof> | B-86 (18) | J/B and body wiring harness combination |
| B-78 (6) | J/B and roof wiring harness combination | B-87 (10) | Buzzer-ECU |
| B-80 (5) | Blower relay | B-88 (22) | J/B and body wiring harness combination |
| B-81 (5) | Defogger relay | B-89 (22) | J/B and body wiring harness combination |
| B-82 (5) | Turn-signal and hazard warning flasher unit | B-128 (18) | J/B and body wiring harness combination |
| B-83 (20) | J/B and front wiring harness combination | NOTE | |
| B-84 (2) | J/B and front wiring harness combination | Connector numbers in are connector numbers which have been changed or added. | |
| B-85 (3) | J/B and body wiring harness combination | | |

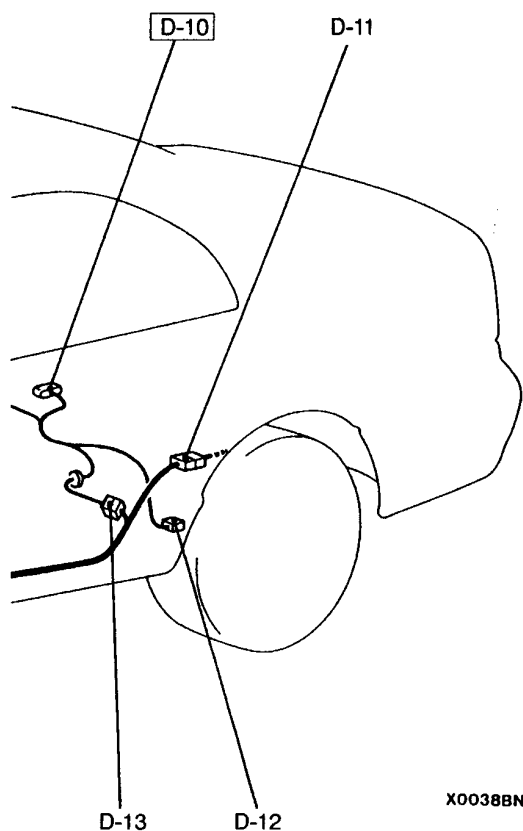
FLOOR AND ROOF

L.H. drive vehicles



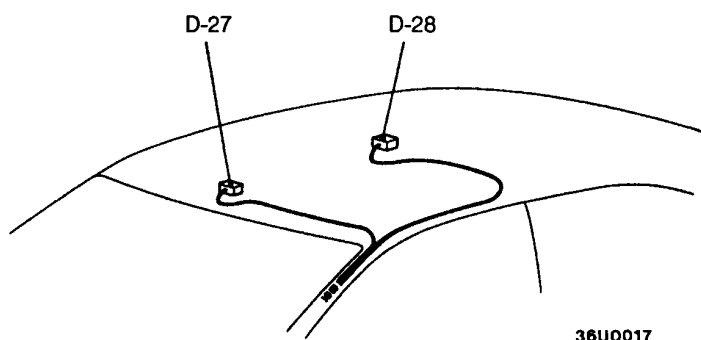
- D-01 (3-B) Heated seat (RH)
- D-02** (2-B) Front door switch (Passenger's side)
- D-03 (2-R) Seat belt pretensioner (Passenger's side) <SRS>
- D-04 (8) Rear door wiring harness (RH) and body wiring harness combination
- D-05 (10) Sunroof-ECU
- D-06 (2) Sunroof motor
- D-07 (8) Room lamp and sunroof switch <Vehicles with sunroof>
- D-10** (5-GR) Fuel pump and gauge unit assembly <Petrol-powered vehicles>

- D-10 (5-B) Fuel gauge unit <Diesel-powered vehicles>
- D-11 (22) Rear wiring harness and body wiring harness combination
- D-12 (2-B) Rear speed sensor (LH) <ABS>
- D-13 (10) Fuel pump wiring harness and body wiring harness combination
- D-14 (8) Rear door wiring harness (LH) and body wiring harness combination



X0038BN

<Vehicles without sunroof>



36U0017

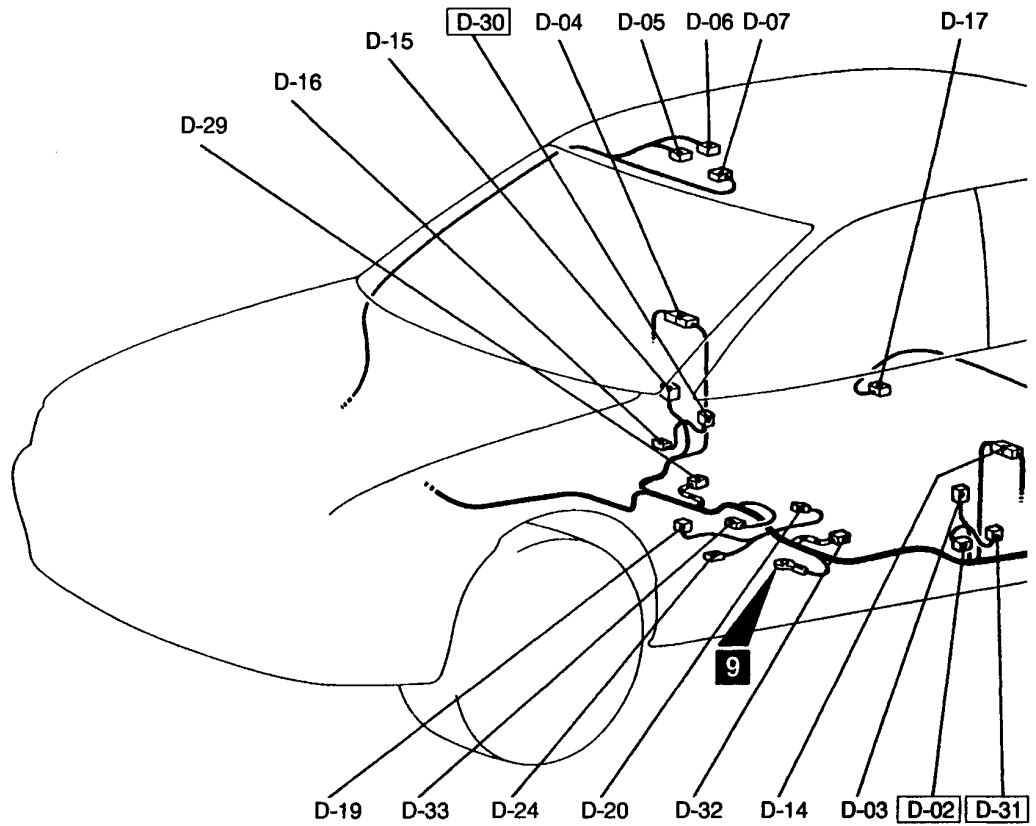
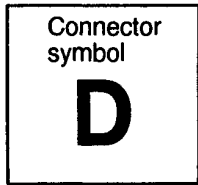
- D-15 (2-R) Seat belt pretensioner (Driver's side) <SRS>
- D-16 (2) Front door switch (Driver's side)
- D-17 (2-B) Rear speed sensor (RH) <ABS>
- D-18 (3-B) Heated seat (LH)
- D-19 (6) Hold switch <A/T>
- D-20 (1-B) Parking brake switch
- D-24 (2) Shift indicator illumination lamp <A/T>
- D-25 (6-B) Heated seat switch (LH)
- D-26 (6-B) Heated seat switch (RH)
- D-27 (1) Map lamp <Vehicles without sunroof>

- D-28 (2) Room lamp <Vehicles without sunroof>
- D-29 (2-R) Side air bag module (squib) <RH>
- D-30 (2-GR) Side impact sensor (RH)
- D-31 (2-GR) Side impact sensor (LH)
- D-32 (2-R) Side air bag module (squib) <LH>
- D-33 (36-O) SRS-ECU

NOTE
Connector numbers in are connector numbers which have been changed or added.

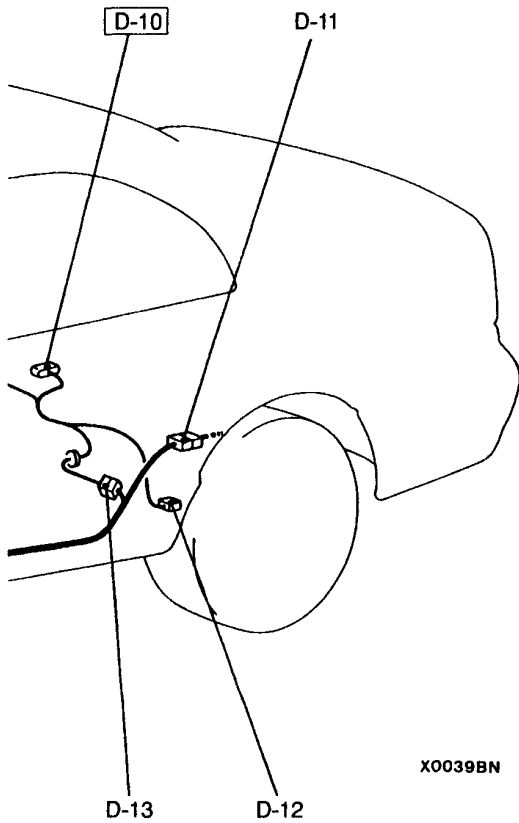
FLOOR AND ROOF

R.H. drive vehicles

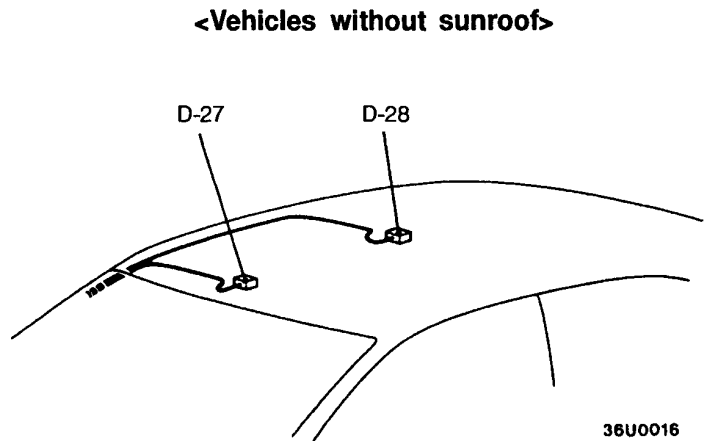


- D-02 (2-B) Front door switch (Passenger's side)
- D-03 (2-R) Seat belt pretensioner (Passenger's side) <SRS>
- D-04 (8) Rear door wiring harness (RH) and body wiring harness combination
- D-05 (10) Sunroof-ECU
- D-06 (2) Sunroof motor
- D-07 (8) Room lamp and sunroof switch <Vehicles with sunroof>

- D-10 (5-GR) Fuel pump and gauge unit assembly <Petrol-powered vehicles>
- D-10 (5-B) Fuel gauge unit <Diesel-powered vehicles>
- D-11 (22) Rear wiring harness and body wiring harness combination
- D-12 (2-B) Rear speed sensor (LH) <ABS>
- D-13 (10) Fuel pump wiring harness and body wiring harness combination



X0039BN



36U0016

- D-14 (8) Rear door wiring harness (LH) and body wiring harness combination
- D-15 (2-R) Seat belt pretensioner (Driver's side) <SRS>
- D-16 (2) Front door switch (Driver's side)
- D-17 (2-B) Rear speed sensor (RH) <ABS>
- D-19 (6) Hold switch <A/T>
- D-20 (1-B) Parking brake switch
- D-24 (2) Shift indicator illumination lamp <A/T>
- D-27 (1) Map lamp <Vehicles without sunroof>

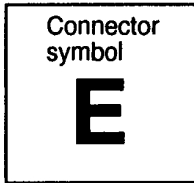
- D-28 (2) Room lamp <Vehicles without sunroof>
- D-29 (2-R) Side air bag module (squib) <RH>
- D-30 (2-GR) Side impact sensor (RH)
- D-31 (2-GR) Side impact sensor (LH)
- D-32 (2-R) Side air bag module (squib) <LH>
- D-33 (36-O) SRS-ECU

NOTE

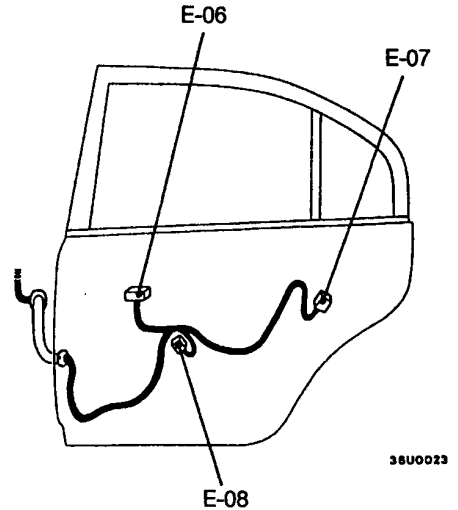
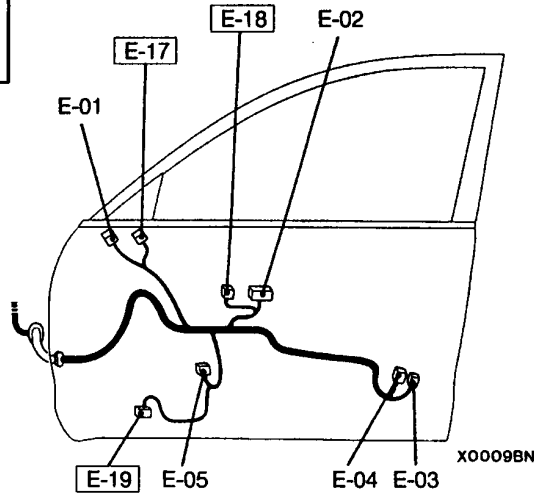
Connector numbers in are connector numbers which have been changed or added.

DOOR

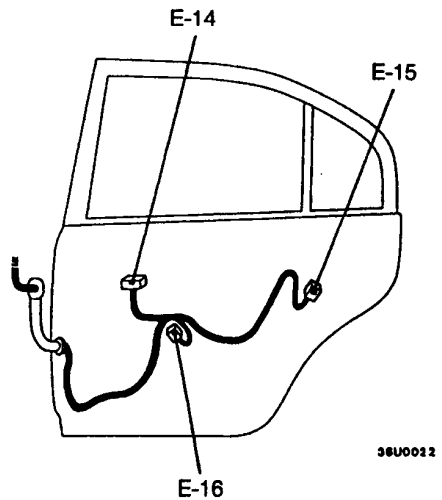
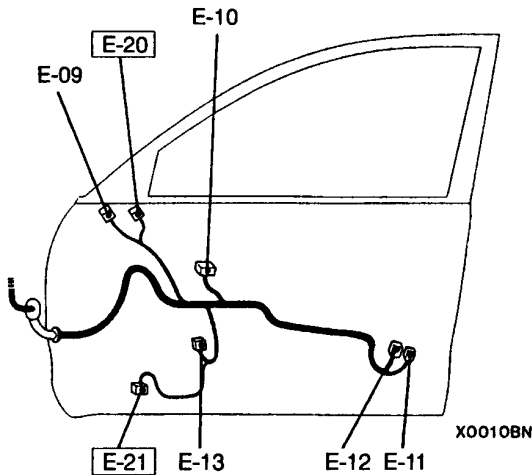
L.H. drive vehicles



Driver's side



Passenger's side



- E-01 (6) Remote controlled mirror (LH)
- E-02 (18) Power window main switch
- E-03 (4-B) Front door lock actuator (Driver's side)
- E-04 (3-B) Door lock key cylinder switch (Driver's side)
- E-05 (6-GR) Front power window regulator assembly (Driver's side)
- E-06 (8) Power window sub switch (Rear: LH)
- E-07 (2-B) Rear door lock actuator (LH)
- E-08 (6-GR) Rear power window regulator assembly (LH)
- E-09 (6) Remote controlled mirror (RH)
- E-10 (8) Power window sub switch (Passenger's side)
- E-11 (2-B) Front door lock actuator (Passenger's side)

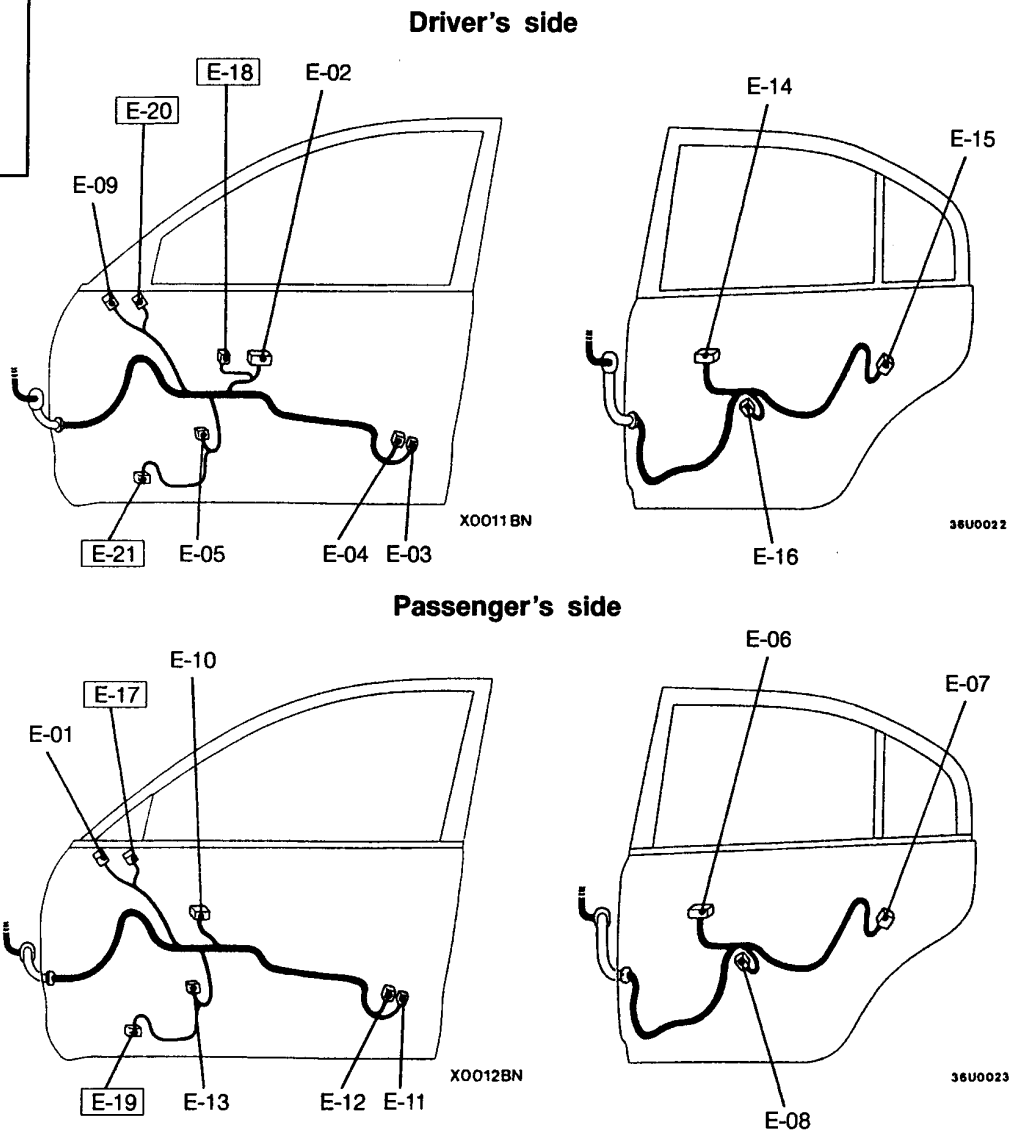
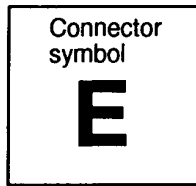
- E-12 (3-B) Door lock key cylinder switch (Passenger's side)
- E-13 (6-GR) Front power window regulator assembly (Passenger's side)
- E-14 (8) Power window sub switch (Rear: RH)
- E-15 (2-B) Rear door lock actuator (RH)
- E-16 (6-GR) Rear power window regulator assembly (RH)
- E-17 (2) Tweeter (LH)
- E-18 (3) Door lock switch
- E-19 (2-B) Door speaker (LH)
- E-20 (2) Tweeter (RH)
- E-21 (2-B) Door speaker (RH)

NOTE

Connector numbers in are connector numbers which have been changed or added.

DOOR

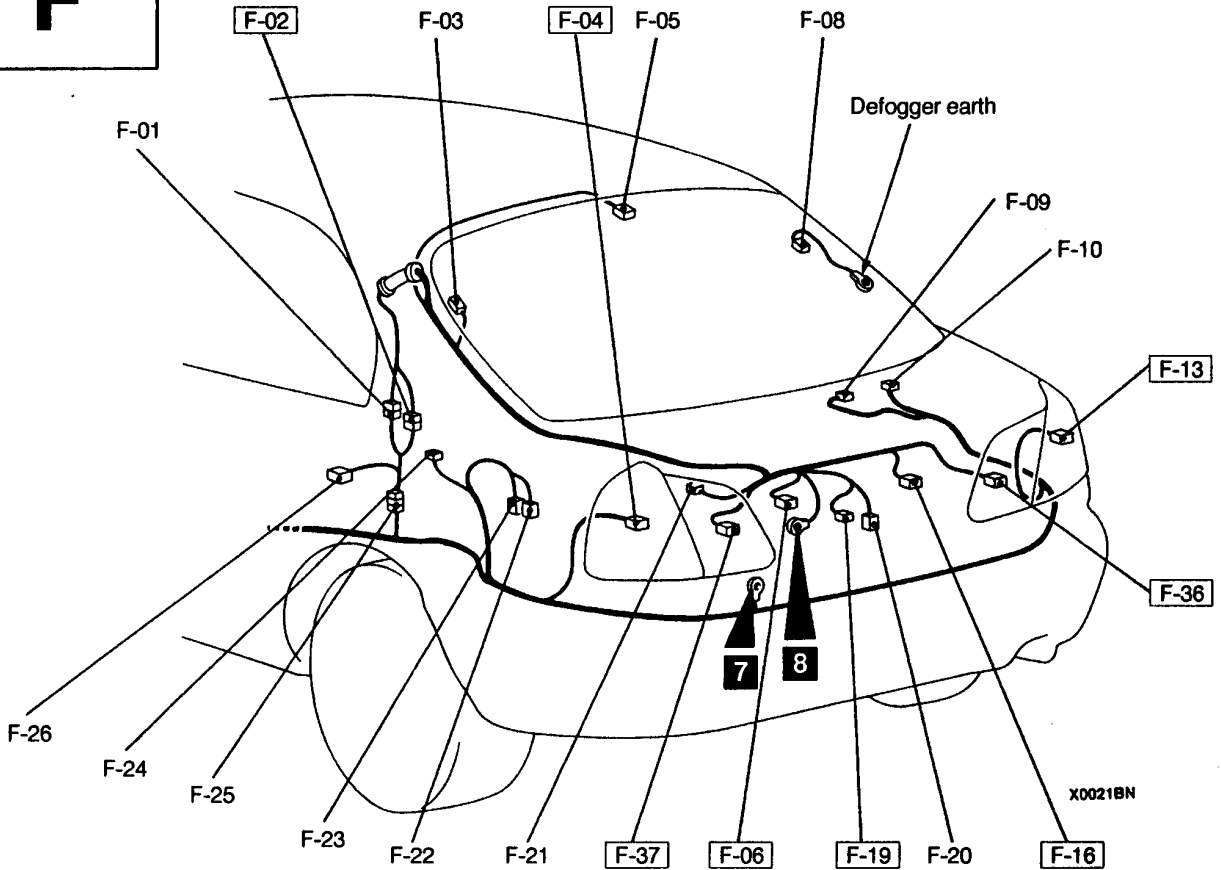
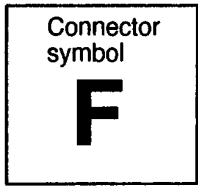
R.H. drive vehicles



- | | | | |
|-------------|---|-------------------|--|
| E-01 (6) | Remote controlled mirror (LH) | E-12 (3-B) | Door lock key cylinder switch (Passenger's side) |
| E-02 (18) | Power window main switch | E-13 (6-GR) | Front power window regulator assembly (Passenger's side) |
| E-03 (4-B) | Front door lock actuator (Driver's side) | E-14 (8) | Power window sub switch (Rear: RH) |
| E-04 (3-B) | Door lock key cylinder switch (Driver's side) | E-15 (2-B) | Rear door lock actuator (RH) |
| E-05 (6-GR) | Front power window regulator assembly (Driver's side) | E-16 (6-GR) | Rear power window regulator assembly (RH) |
| E-06 (8) | Power window sub switch (Rear: LH) | E-17 (2) | Tweeter (LH) |
| E-07 (2-B) | Rear door lock actuator (LH) | E-18 (3) | Door lock switch |
| E-08 (6-GR) | Rear power window regulator assembly (LH) | E-19 (2-B) | Door speaker (LH) |
| E-09 (6) | Remote controlled mirror (RH) | E-20 (2) | Tweeter (RH) |
| E-10 (8) | Power window sub switch (Passenger's side) | E-21 (2-B) | Door speaker (RH) |
| E-11 (2-B) | Front door lock actuator (Passenger's side) | | |
- NOTE**
Connector numbers in are connector numbers which have been changed or added.

LUGGAGE COMPARTMENT

Hatchback



- F-01 (8) Tailgate wiring harness and rear wiring harness combination
- F-02**(6) Tailgate wiring harness and rear wiring harness combination
- F-03 (1-B) Defogger (+)
- F-04**(6-B) Rear combination lamp (LH)
- F-05 (2) High mounted stop lamp (Tailgate)
- F-06**(2-B) Licence plate lamp (LH)
- F-08 (1-B) Defogger (-)
- F-09 (1-B) Rear door switch (RH)
- F-10 (2-B) Rear speaker (RH)
- F-13**(6-B) Rear combination lamp (RH)
- F-16**(2-B) Licence plate lamp (RH)
- F-19**(5) Tailgate lock actuator

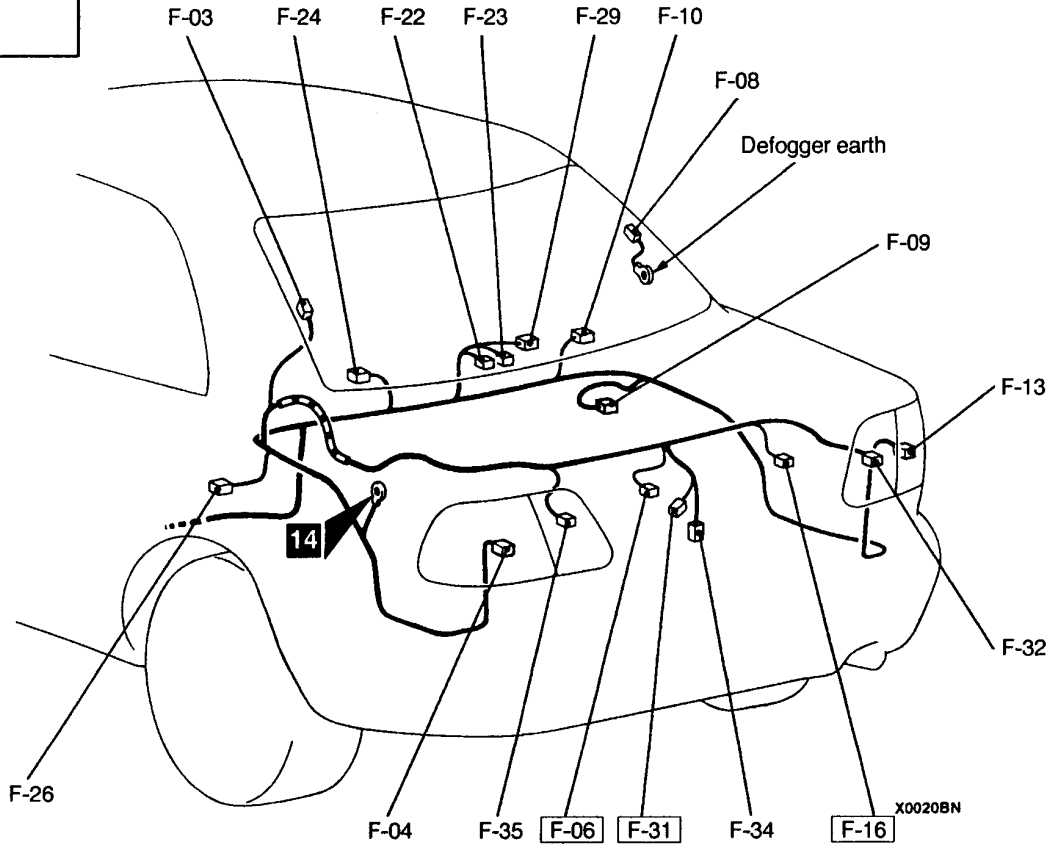
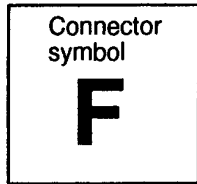
- F-20 (1-B) Tailgate switch
- F-21 (3) Rear wiper motor
- F-22 (1-B) Luggage compartment lamp
- F-23 (1-B) Luggage compartment lamp
- F-24 (2-B) Rear speaker (LH)
- F-25 (2) Diode (Room lamp circuit)
- F-26 (1-B) Rear door switch (LH)
- F-36**(4-B) Tailgate lamp (RH)
- F-37**(4-B) Tailgate lamp (LH)

NOTE

Connector numbers in are connector numbers which have been changed or added.

LUGGAGE COMPARTMENT

Sedan



- F-03 (1-B) Defogger (+)
- F-04 (6-B) Rear combination lamp (LH)
- F-06** (2-B) Licence plate lamp (LH)
- F-08 (1-B) Defogger (-)
- F-09 (1-B) Rear door switch (RH)
- F-10 (2-B) Rear speaker (RH)
- F-13 (6-B) Rear combination lamp (RH)
- F-16** (2-B) Licence plate lamp (RH)
- F-22 (1-B) Luggage compartment lamp
- F-23 (1-B) Luggage compartment lamp
- F-24 (2-B) Rear speaker (LH)

- F-26 (1-B) Rear door switch (LH)
- F-29 (2) High mounted stop lamp (Rear shelf)
- F-31** (5) Trunk lid lock actuator
- F-32 (4-B) Rear lid lamp (RH)
- F-34 (1-B) Luggage compartment lamp switch
- F-35 (4-B) Rear lid lamp (LH)

NOTE

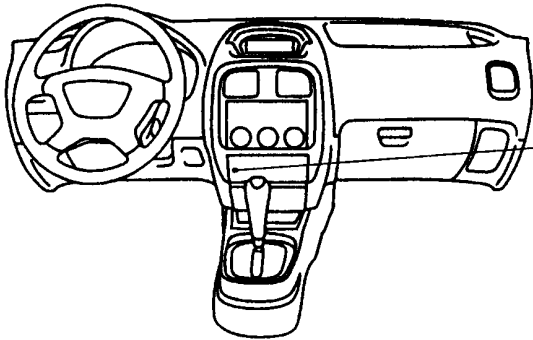
Connector numbers in are connector numbers which have been changed or added.

SINGLE PART INSTALLATION POSITION

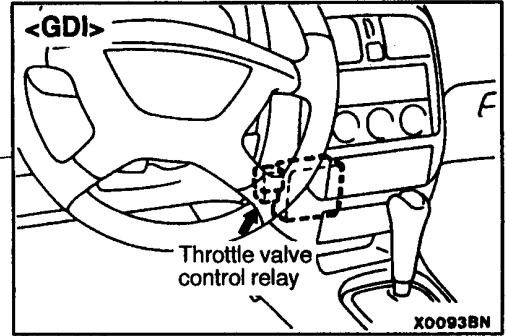
CONTENTS

RELAY	3-2	SENSOR	3-3
ECU	3-2	INSPECTION CONNECTOR	3-4

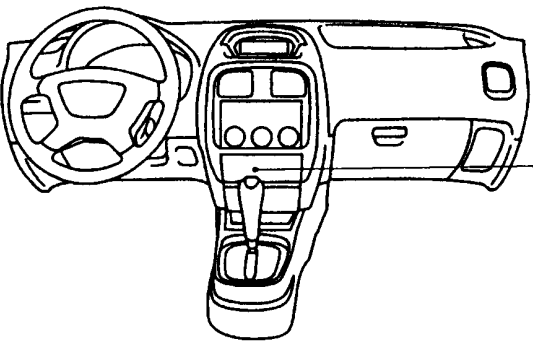
RELAY



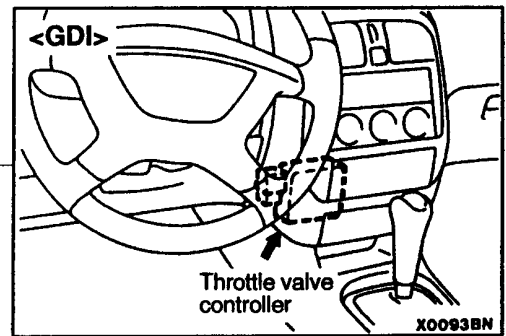
X0089BN



ECU

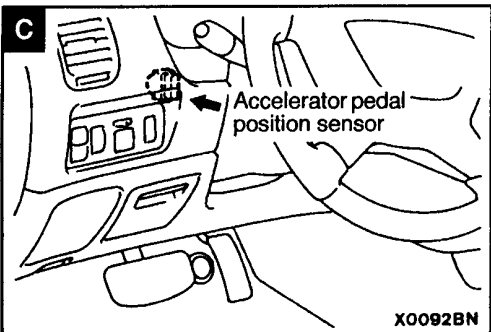
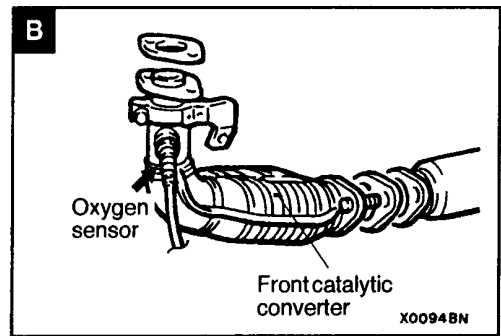
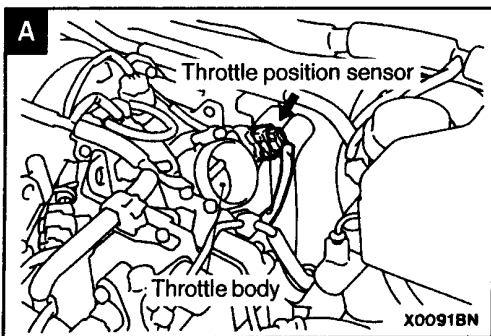
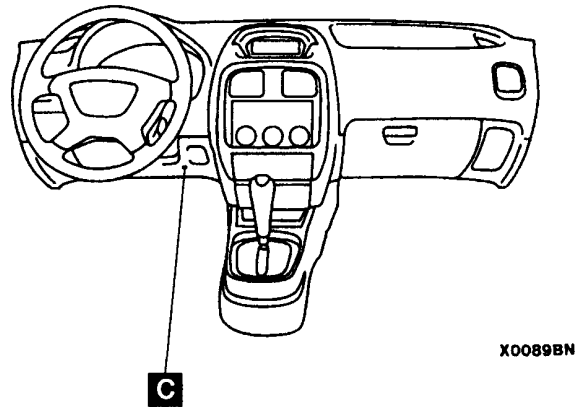
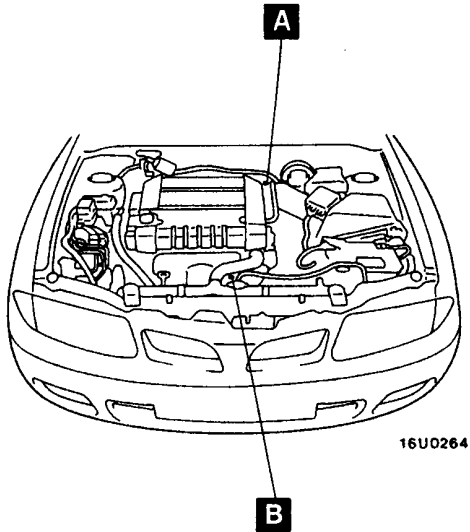


X0089BN



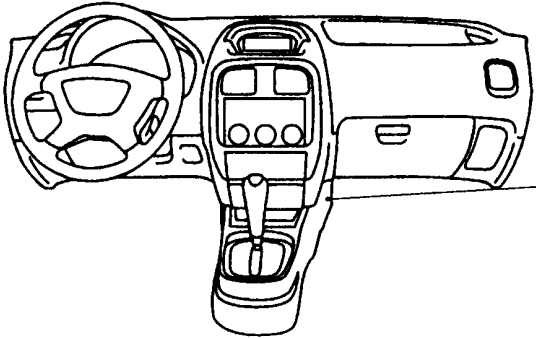
SENSOR

Name	Symbol	Name	Symbol
Accelerator pedal position sensor <GDI>	C	Throttle position sensor <GDI>	A
Oxygen sensor <MPI (Vehicles with front catalytic converter)>	B		

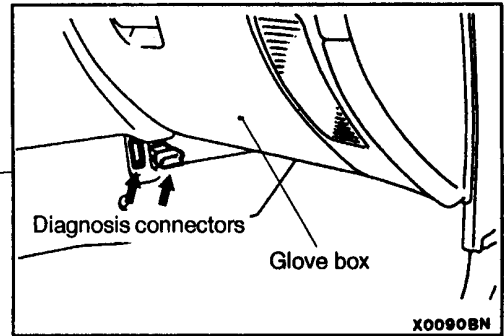


3-4 SINGLE PART INSTALLATION POSITION – Inspection Connector

INSPECTION CONNECTOR



X0089BN



X0090BN

CIRCUIT DIAGRAM

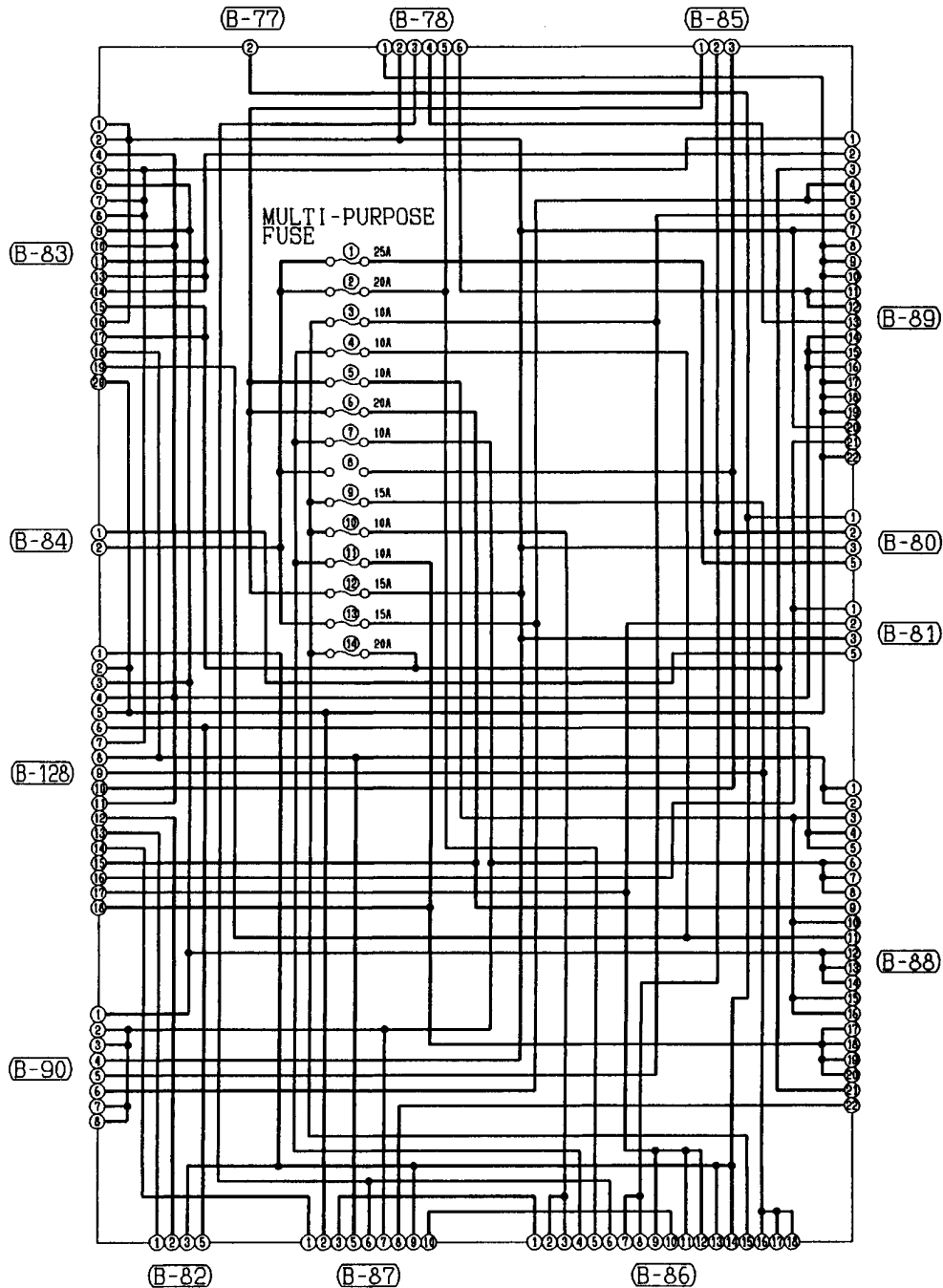
CONTENTS

JUNCTION BLOCK (J/B)	4-4	ELC 4-SPEED AUTOMATIC TRANSMISSION	
CENTRALIZED JUNCTION	4-6	MPI-SOHC	4-70
POWER DISTRIBUTION SYSTEM		GDI	4-80
Vehicles without daytime running lamp	4-10	HEADLAMP	
Vehicles with daytime running lamp	4-16	Vehicles without daytime running lamp	4-89
STARTING SYSTEM		Vehicles with daytime running lamp	4-90
Diesel-powered vehicles	4-22	HEADLAMP LEVELING SYSTEM	4-96
Petrol-powered vehicles <MPI>	4-23	TAIL LAMP, POSITION LAMP, LICENCE PLATE LAMP AND LIGHTING MONITOR BUZZER	
Petrol-powered vehicles <GDI>	4-24	Vehicles without daytime running lamp	4-98
IGNITION SYSTEM		Vehicles with daytime running lamp	4-102
MPI-SOHC-M/T	4-26	FRONT FOG LAMP	
MPI-SOHC-A/T	4-27	Vehicles without daytime running lamp	4-108
GDI	4-28	Vehicles with daytime running lamp	4-110
CHARGING SYSTEM		REAR FOG LAMP	
Diesel-powered vehicles	4-30	Vehicles without daytime running lamp	4-112
Petrol-powered vehicles <MPI>	4-31	Vehicles with daytime running lamp	4-116
Petrol-powered vehicles <GDI>	4-32	GLOVE BOX LAMP	4-119
GLOW SYSTEM	4-34	ROOM LAMP, MAP LAMP AND LUGGAGE COMPARTMENT LAMP	
MPI SYSTEM		Hatchback	4-120
MPI-SOHC-M/T	4-38	Sedan	4-122
MPI-SOHC-A/T	4-46		
GDI SYSTEM	4-54		
COOLING SYSTEM			
Diesel-powered vehicles	4-68		
Petrol-powered vehicles	4-69		

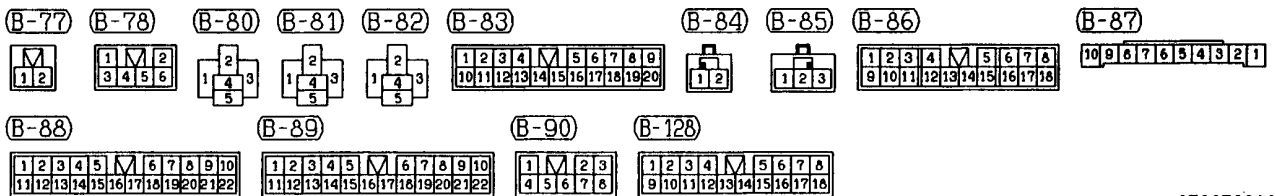
TURN-SIGNAL LAMP AND HAZARD WARNING LAMP	4-126	WINDSHIELD WIPER AND WASHER	4-200
STOP LAMP		REAR WIPER AND WASHER	4-202
Hatchback	4-130	HEADLAMP WASHER	4-205
Sedan	4-131	DEFOGGER AND DOOR MIRROR HEATER	
BACK-UP LAMP	4-132	Vehicles without full-auto air conditioner	4-206
HORN	4-134	Vehicles with full-auto air conditioner	4-208
METER AND GAUGE		REMOTE CONTROLLED MIRROR	4-211
Diesel-powered vehicles	4-136	RADIO AND TAPE PLAYER OR CD PLAYER	4-212
Petrol-powered vehicles	4-138	MULTI CENTER DISPLAY	
ODOMETER AND TRIP METER	4-140	Petrol-powered vehicles	4-214
FUEL WARNING LAMP	4-141	Diesel-powered vehicles	4-220
CENTRAL DOOR LOCKING SYSTEM		CIGARETTE LIGHTER	4-225
Vehicles without keyless entry system		HEATED SEAT	4-226
<Hatchback>	4-144	ANTI-LOCK BRAKING SYSTEM (ABS)	
Vehicles without keyless entry system		Vehicles without TCL	4-228
<Sedan>	4-148	ANTI-LOCK BRAKING SYSTEM, TRACTION CONTROL SYSTEM (BTCL)	4-232
Vehicles with keyless entry system		AUTO-CRUISE CONTROL SYSTEM	2-236
<Hatchback>	4-152	SUPPLEMENTAL RESTRAINT SYSTEM (SRS)	4-244
Vehicles with keyless entry system		IMMOBILIZER SYSTEM	
<Sedan>	4-158	Diesel-powered vehicles	4-248
POWER WINDOWS	4-164	Petrol-powered vehicles	4-250
HEATER	4-170	FUEL LINE HEATER	4-251
MANUAL AIR CONDITIONER		RHEOSTAT	4-252
Diesel-powered vehicles	4-174		
Petrol-powered vehicles	4-178		
FULL-AUTO AIR CONDITIONER			
Diesel-powered vehicles	4-184		
Petrol-powered vehicles	4-192		

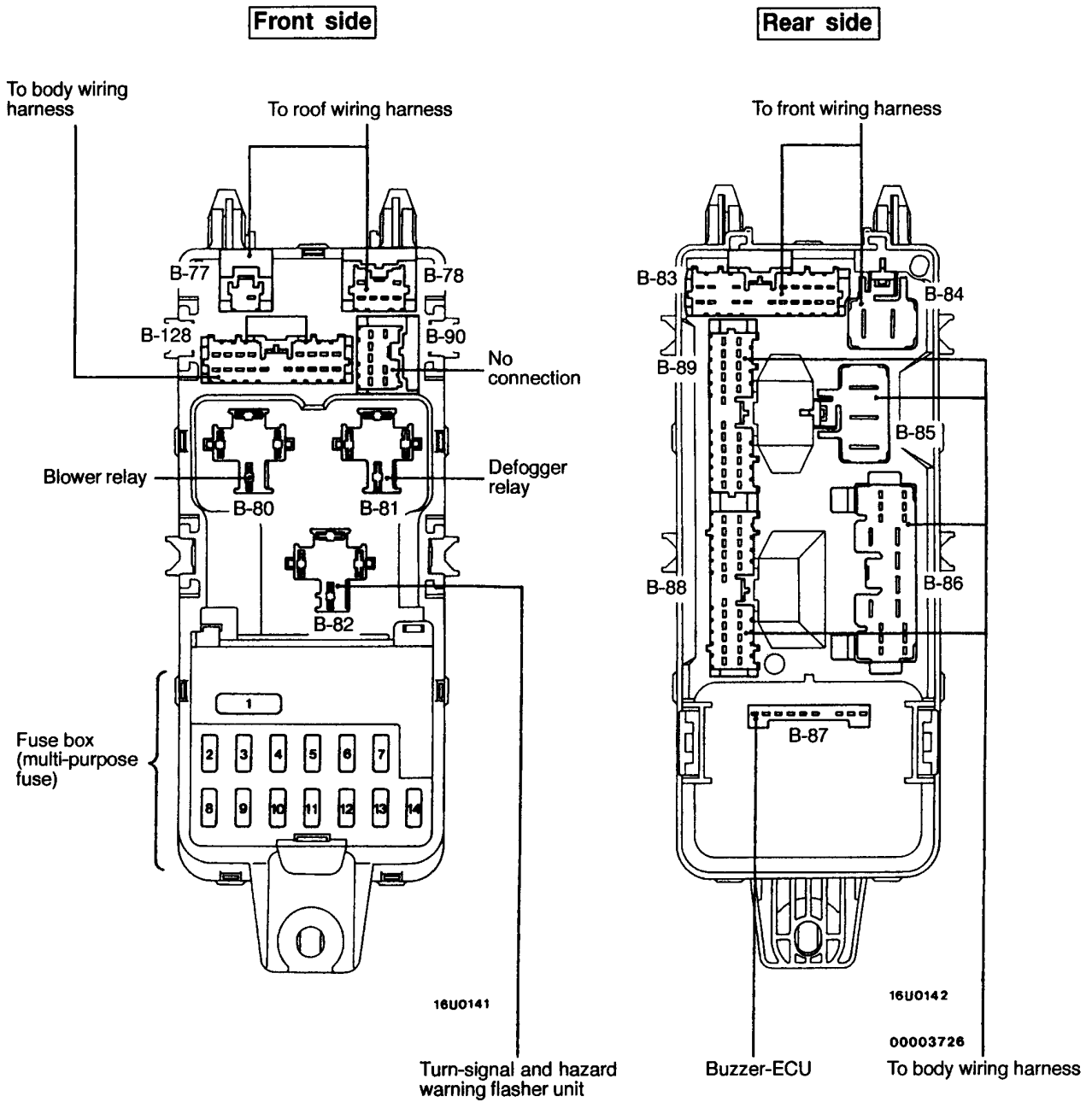
NOTES

JUNCTION BLOCK (J/B)



NOTE
CONNECTOR NUMBERS ARE KEYED TO THE CONFIGURATION
DIAGRAM (DASH PANEL) AND EACH CIRCUIT DIAGRAM.





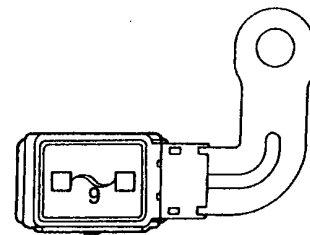
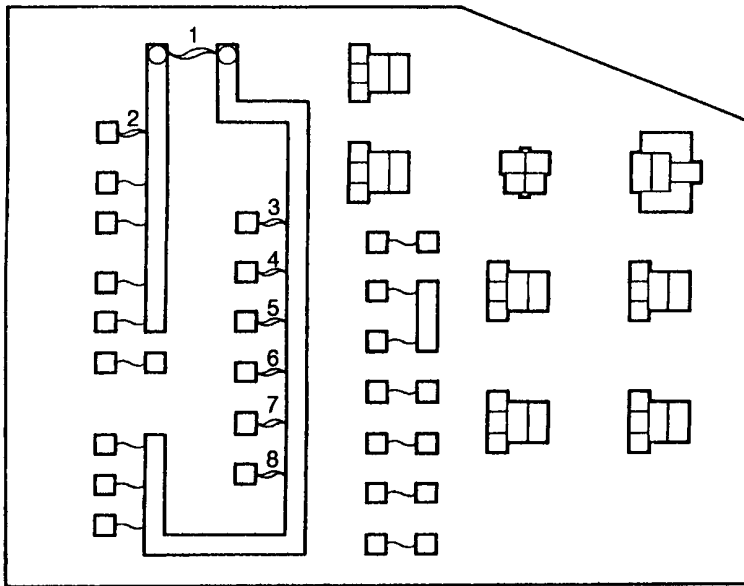
CENTRALIZED JUNCTION

FUSIBLE LINK

No.	Circuit	Housing colour	Rated capacity (A)
1	Fusible link No. (2) and dedicated fuse No. (1), (2), (3), (4) circuit <When the engine is stopped> Fusible link No. (3), (4), (5), (6), (7), (8) and dedicated fuse No. (6), (7), (8) circuit <After start of the engine>	Blue	100A <Petrol>
		White	120A <Diesel>
2	A/C and multi-purpose fuse No. (1), (2), (13) circuit	Green	40A
3	Ignition switch circuit	Green	40A
4	ABS and BTCL circuit	Red	50A
5	Defogger and door mirror heater circuit	Green	40A
6	Charging system, headlamp, fog lamp, tail lamp and headlamp washer circuit	Green	40A
7	A/C and cooling system circuit	Pink	30A
8	Power windows	Pink	30A
9	Glow system	Black	80A

(Relay box in engine compartment)

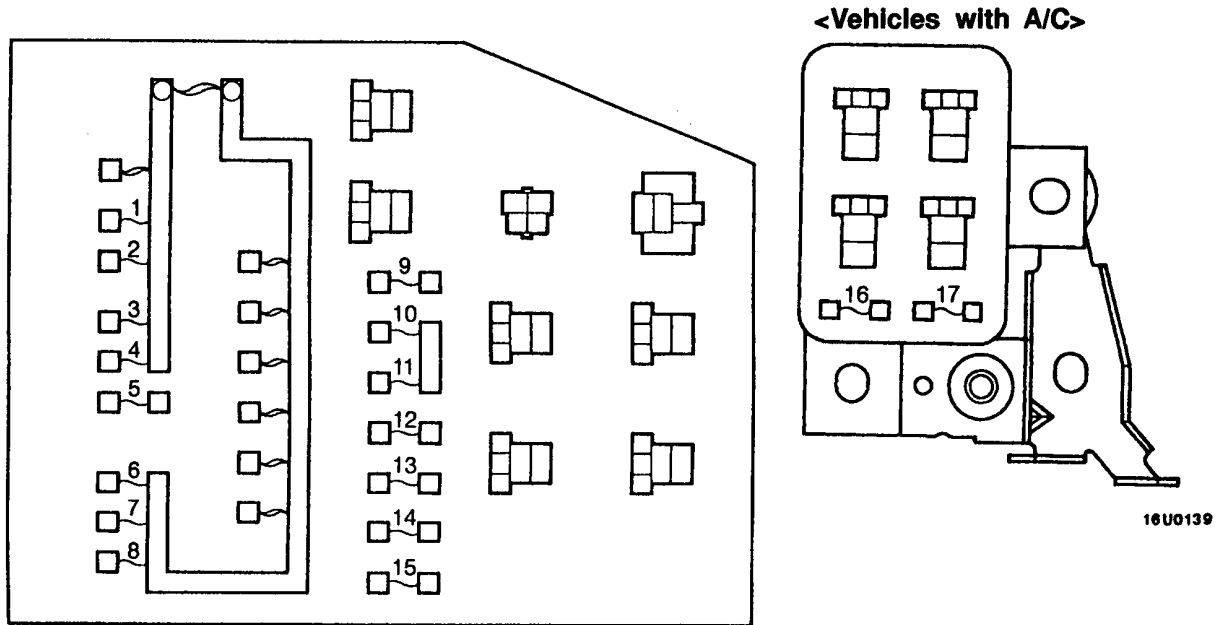
(Connected directly to battery positive terminal)



16U0156

DEDICATED FUSE (Relay box in engine compartment)

Power supply circuit	No.	Rated capacity (A)	Housing colour	Circuit
Battery (Fusible link No. 1)/Alternator	1	20A	Yellow	Fuel line heater circuit
	2	25A	Transparent	Condenser fan circuit
	3	10A	Red	Door warning lamp, luggage compartment lamp, multi center display, radio, room lamp, odometer, trip meter, fog lamp circuit, ECU power supply and MUT-II power supply circuit
	4	20A	Yellow	Central door lock circuit
Ignition switch (ACC)	5	10A	Red	Auto-cruise control and radio circuit
Battery/Alternator (Fusible link No. 1)	6	20A	Yellow	A/T, GDI, MPI and GLOW circuit
	7	10A	Red	Hazard warning circuit
	8	15A	Blue	Stop lamp, ABS, A/T, BTCL, GDI, TCL and auto-cruise control circuit
Fusible link No. 6	9	15A	Blue	Front fog lamp circuit
Lighting switch (Fusible link No. 6) <Vehicles without daytime running lamp>/Tail lamp relay (Fusible link No. 6) <Vehicles with daytime running lamp>	10	10A	Red	Illumination, position lamp and tail lamp circuit
	11	10A	Red	GDI, fog lamp, glove box lamp, illumination, licence plate lamp, position lamp, rheostat and tail lamp circuit
Headlamp relay (Fusible link No. 6)	12	10A	Red	High beam indicator lamp, rear fog lamp and headlamp leveling circuit
Ignition switch (IG1)	13	20A	Yellow	Immobilizer circuit
—	14	—	—	—
—	15	—	—	—
—	16	—	—	—
Battery (Fusible link No. 1, 2)/Alternator (Fusible link No. 2)	17	10A	Red	A/C compressor circuit



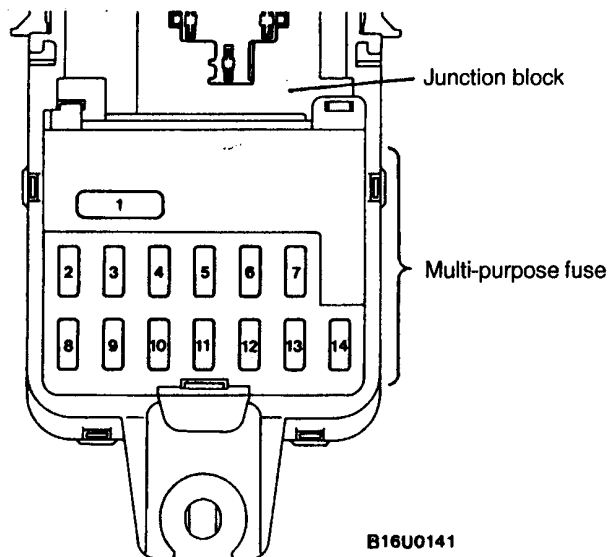
16U0219

00006850

MULTI-PURPOSE FUSE (In junction block)

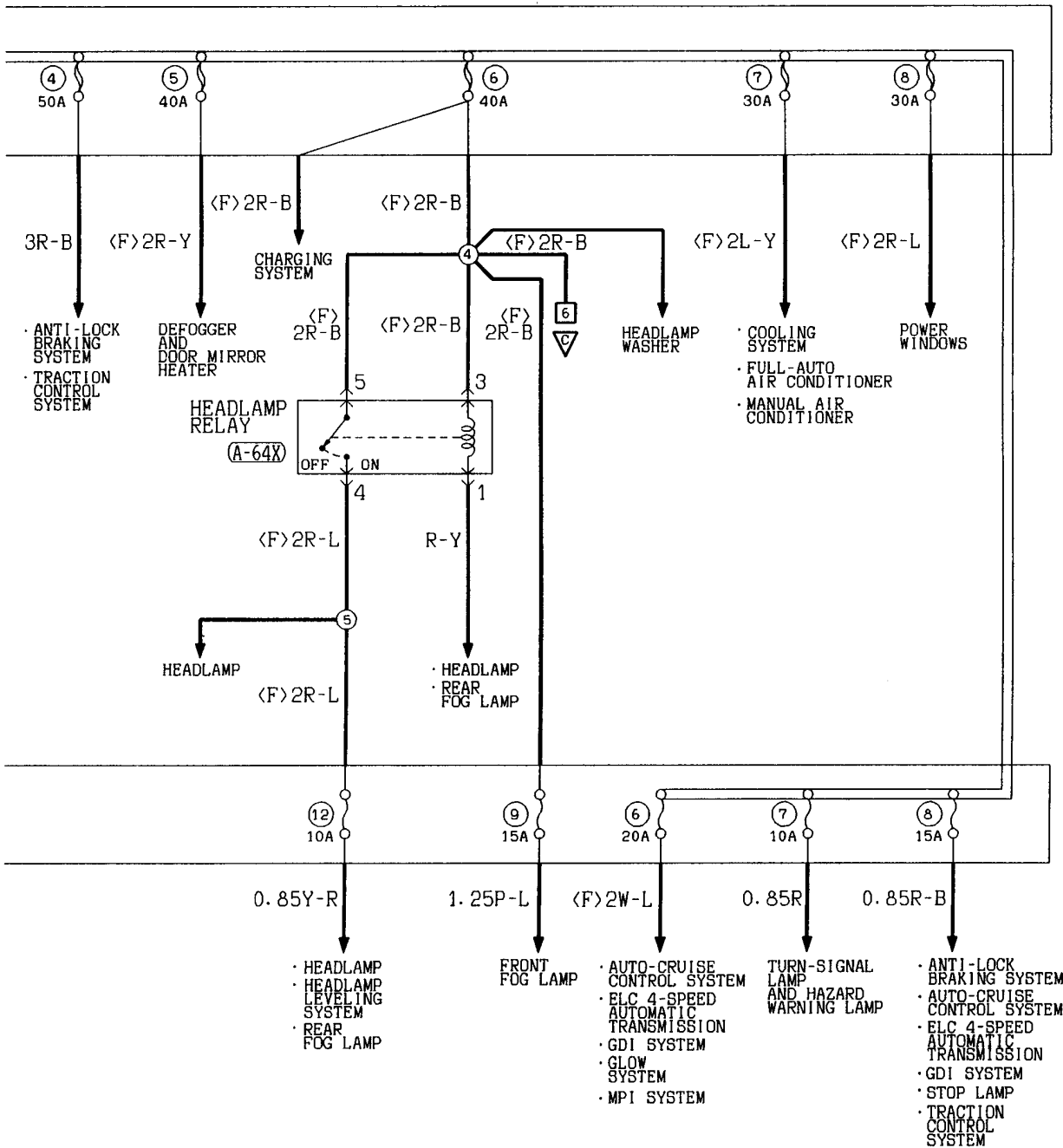
Power supply circuit		No.	Rated capacity (A)	Housing colour	Load circuit	
Battery (Fusible link No. 1, 2)/Alternator (Fusible link No. 2)		1	25A	Transparent	Automatic compressor ECU and blower motor	
		2	20A	Yellow	Sunroof ECU	
Ignition switch	ACC	3	10A	Red	Horn and horn relay	
	IG1	4	10A	Red	ELC-4A/T-ECU, input shaft speed sensor, output shaft speed sensor, SRS-ECU, throttle valve controller, A/T shift indicator lamp, back-up lamp, engine-A/T-ECU, hold indicator lamp, SRS-ECU, vehicle speed sensor and alternator relay	
		IG2	5	10A	Red	ABS-ECU and power window main switch
			6	20A	Yellow	Heated seat
	IG1	7	10A	Red	Combination meter, ELC-4A/T-ECU, multi center display unit, output shaft speed sensor, input shaft speed sensor, ignition relay, odometer, trip meter and buzzer-ECU	

Power supply circuit		No.	Rated capacity (A)	Housing colour	Load circuit
Battery (Fusible link No. 1, 2)/Alternator (Fusible link No. 2)		8	-	-	-
Ignition switch	ACC	9	15A	Blue	Cigarette lighter, A/C control panel and ECU assembly, multi center display unit and navigation unit
		10	10A	Red	Keyless entry receiver ECU and remote controlled mirror
	IG1	11	10A	Red	Immobilizer-ECU, turn signal and hazard warning flasher unit and turn signal lamp
	IG2	12	15A	Blue	A/C compressor relay, A/C control panel and ECU assembly, blower relay, condenser fan relay, DRL-ECU, DRL relay, fuel line heater relay, headlamp washer relay, outside/inside air selection damper control motor, radiator fan relay and sunroof ECU
Battery (Fusible link No. 1, 2)/Alternator (Fusible link No. 2)		13	15A	Blue	Rear fog lamp indicator and rear fog lamp
Ignition switch	ACC	14	20A	Yellow	Intermittent wiper relay, rear washer motor and wiper motor, windshield washer motor and wiper motor



B16U0141

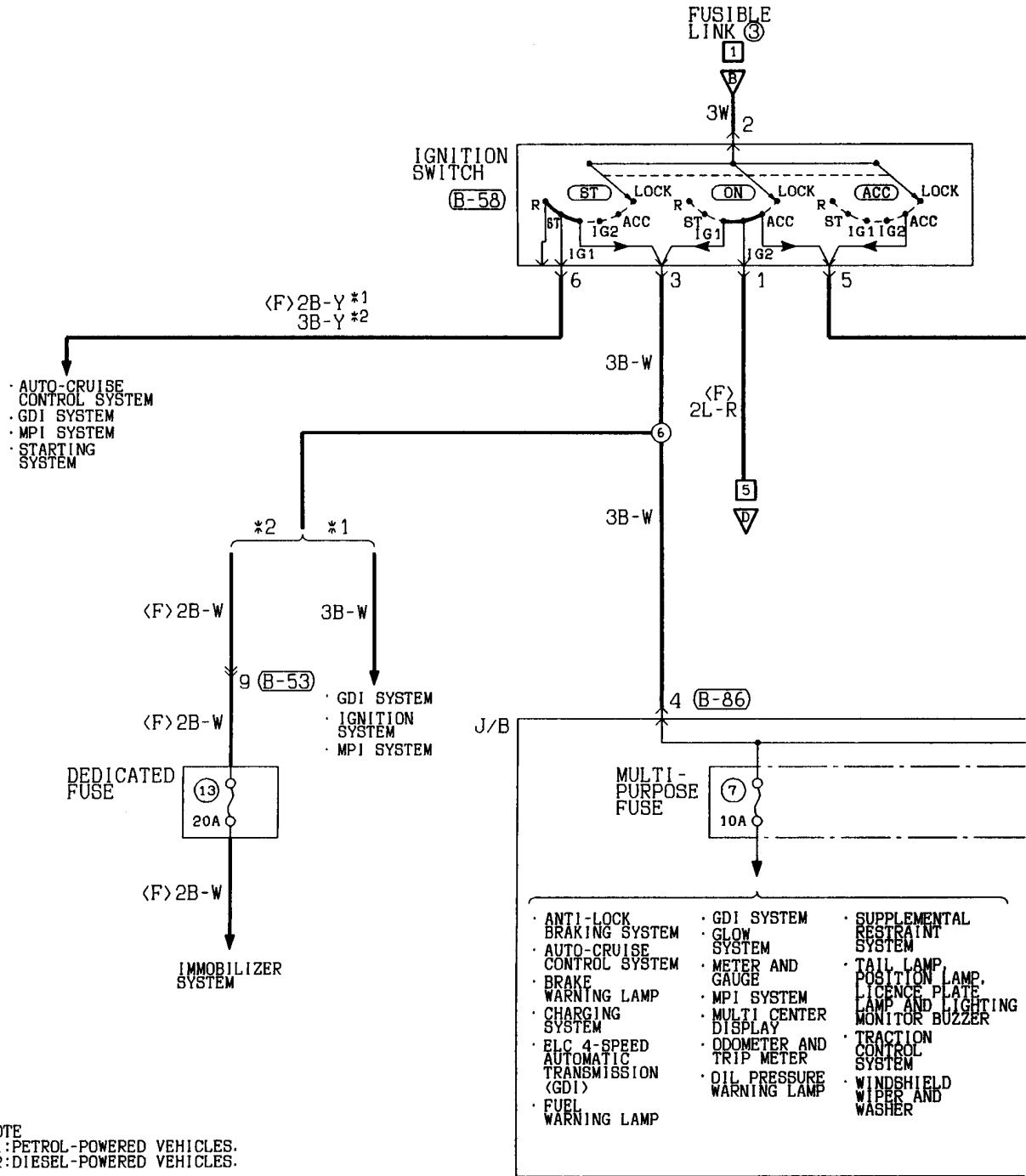
2



Wire colour code
 B : Black LG:Light green G :Green L :Blue W :White Y :Yellow SB:Sky blue
 BR:Brown O :Orange GR:Gray R :Red P :Pink V :Violet

POWER DISTRIBUTION SYSTEM <Vehicles without daytime running lamp>
(CONTINUED)

3



NOTE
*1: PETROL-POWERED VEHICLES.
*2: DIESEL-POWERED VEHICLES.

(B-53)

(B-58)

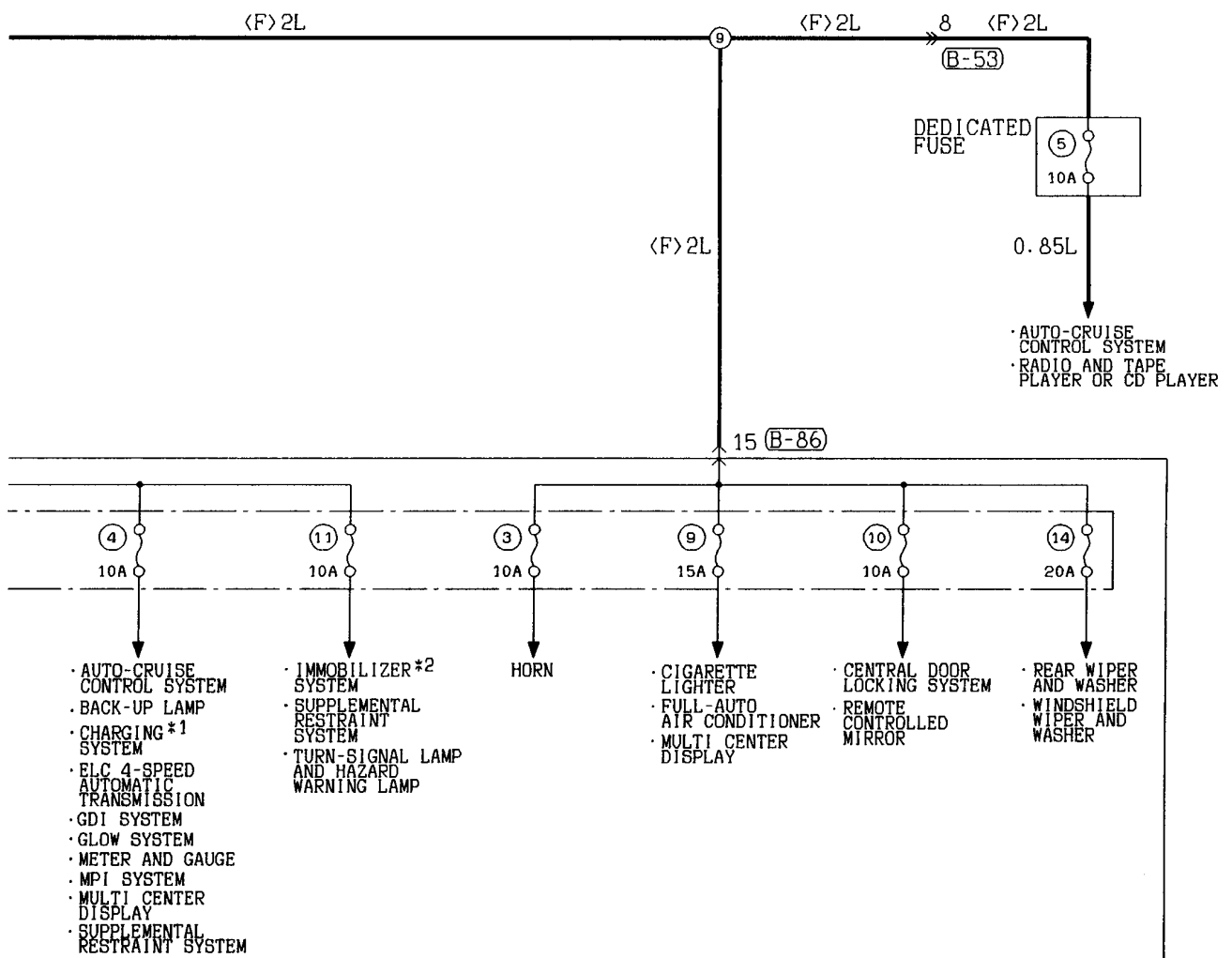
(B-86)

1	2	3	4
5	6	7	8
9	10		

1	2	3
4	5	6

1	2	3	4	5	6	7	8
9	10	11	12	13	14	15	16
17	18						

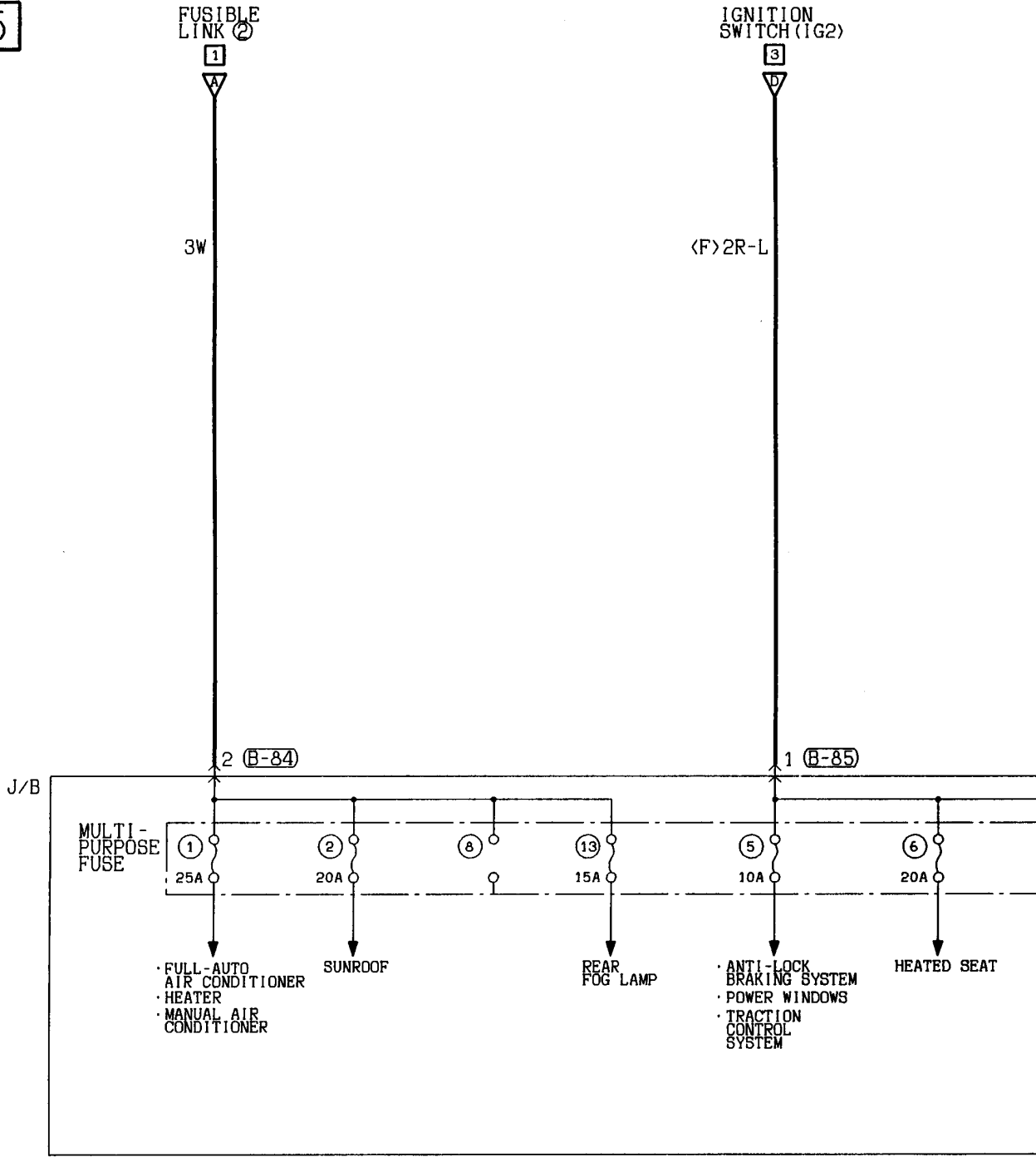
4



Wire colour code
 B : Black LG : Light green G : Green L : Blue W : White Y : Yellow SB : Sky blue
 BR : Brown O : Orange GR : Gray R : Red P : Pink V : Violet

POWER DISTRIBUTION SYSTEM <Vehicles without daytime running lamp>
(CONTINUED)

5

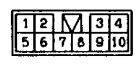
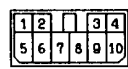


B-53

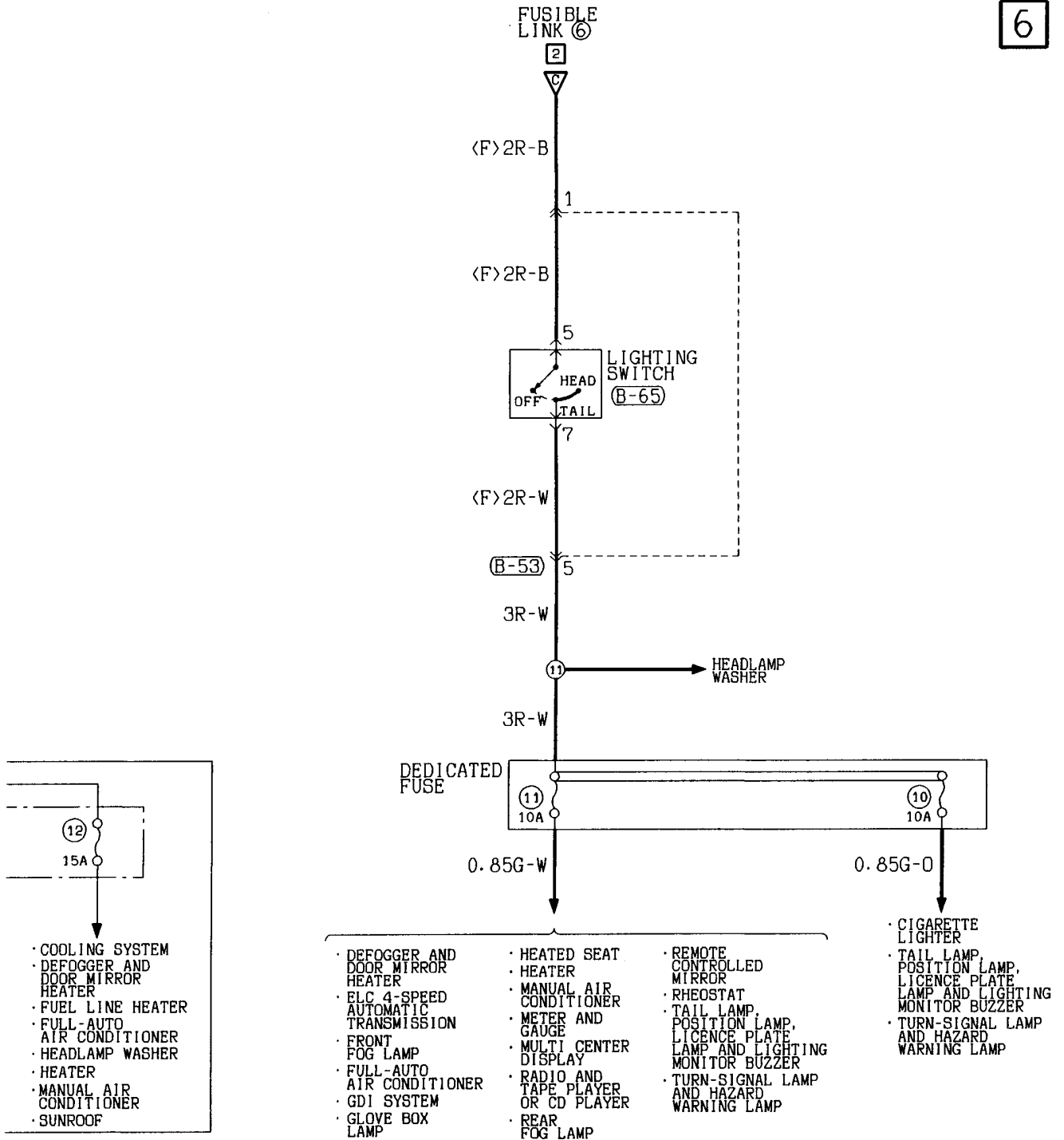
B-65

B-84

B-85



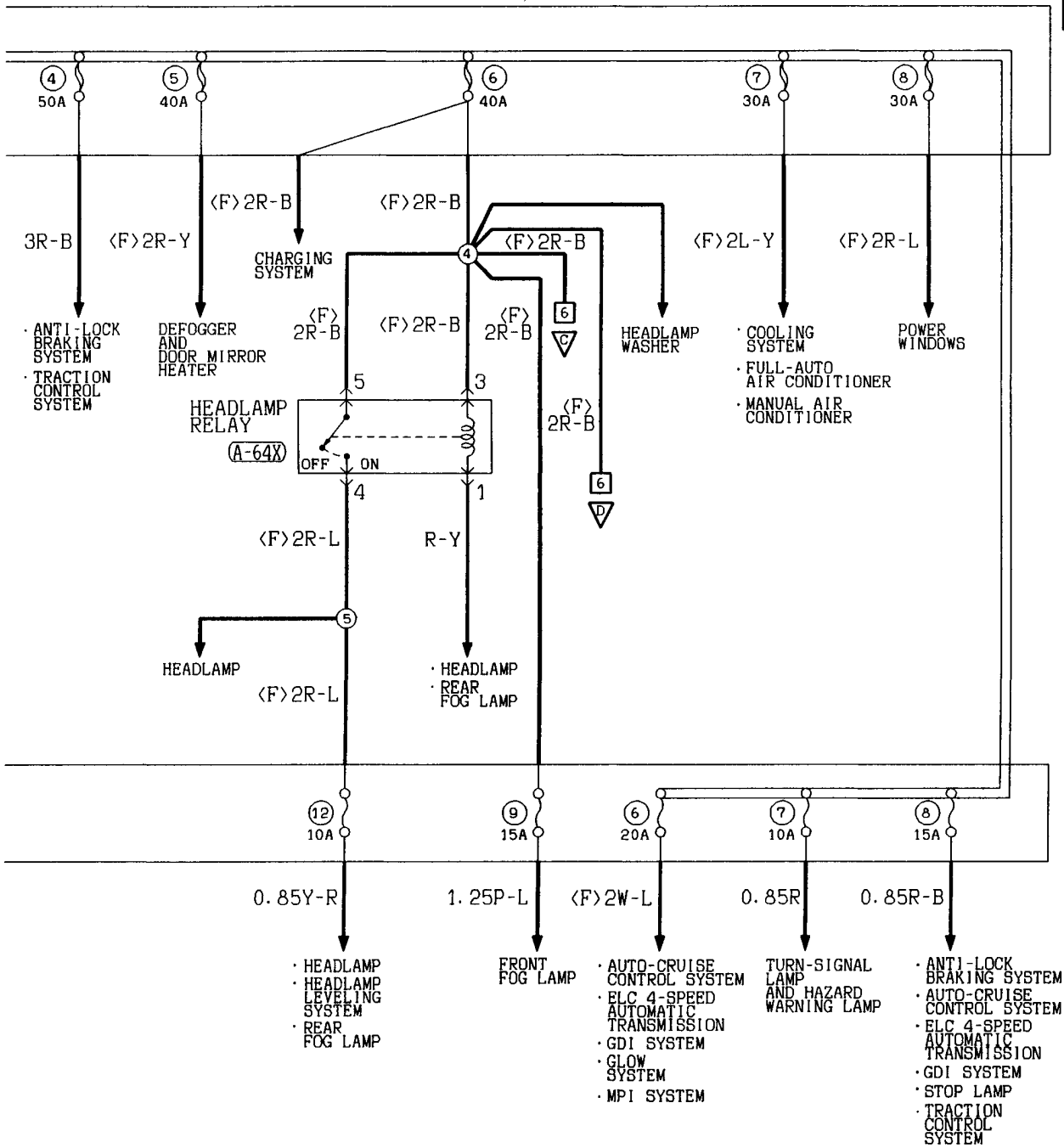
6



Wire colour code

B : Black LG : Light green G : Green L : Blue W : White Y : Yellow SB : Sky blue
 BR : Brown O : Orange GR : Gray R : Red P : Pink V : Violet

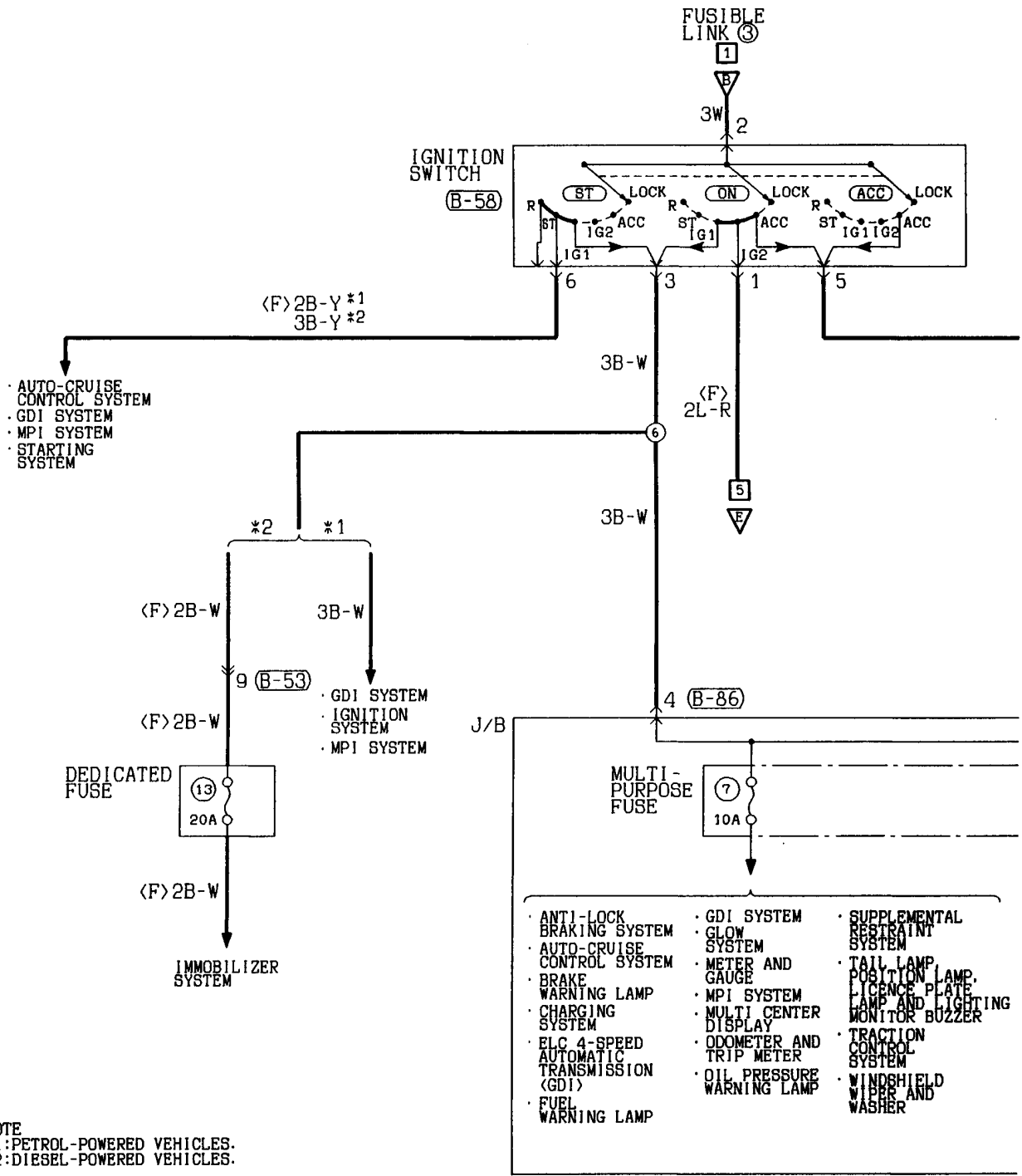
2



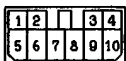
Wire colour code
 B :Black LG:Light green G :Green L :Blue W :White Y :Yellow SB:Sky blue
 BR:Brown O :Orange GR:Gray R :Red P :Pink V :Violet

POWER DISTRIBUTION SYSTEM <Vehicles with daytime running lamp>
(CONTINUED)

3



(B-53)



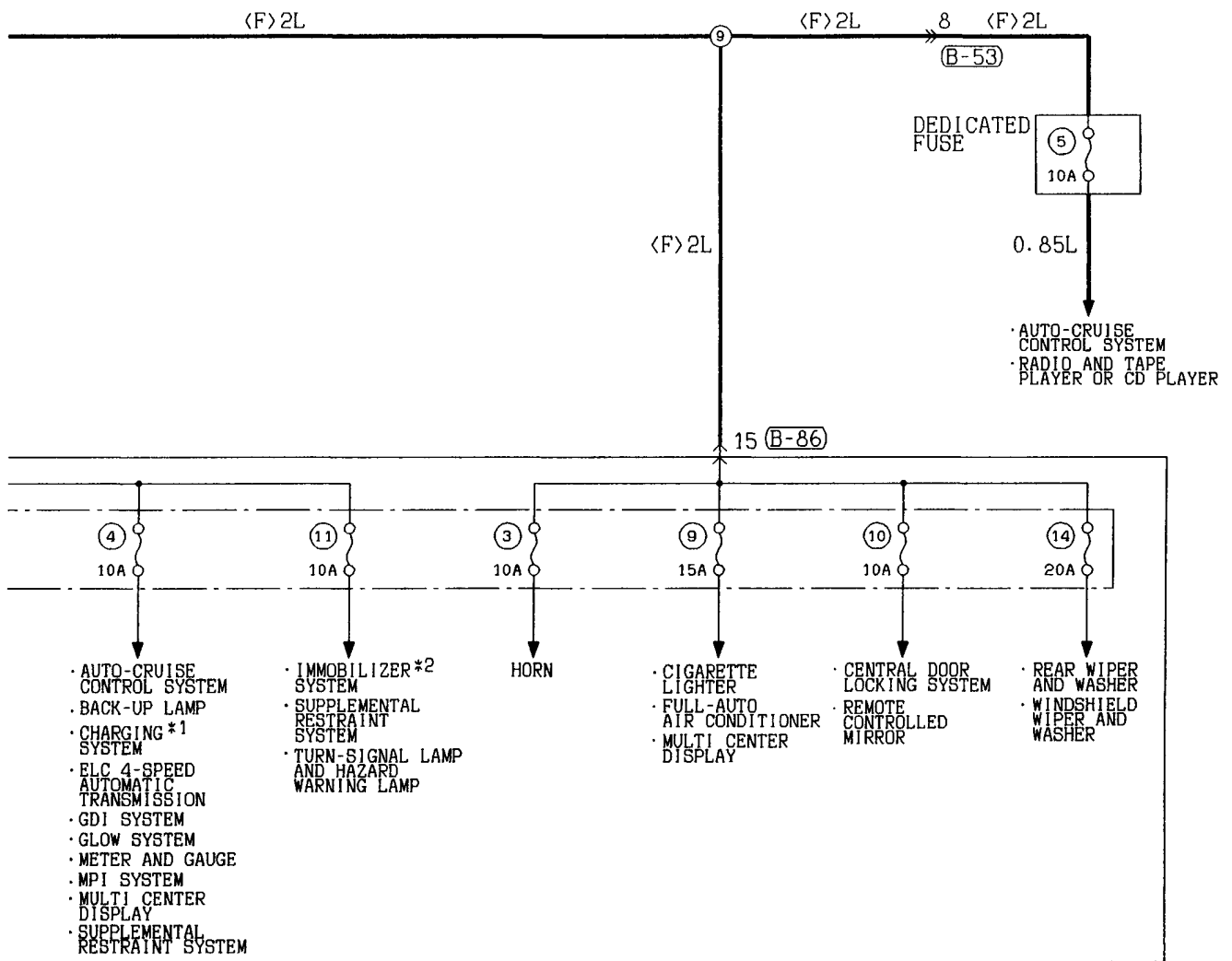
(B-58)



(B-86)



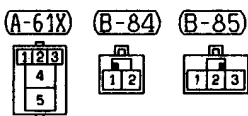
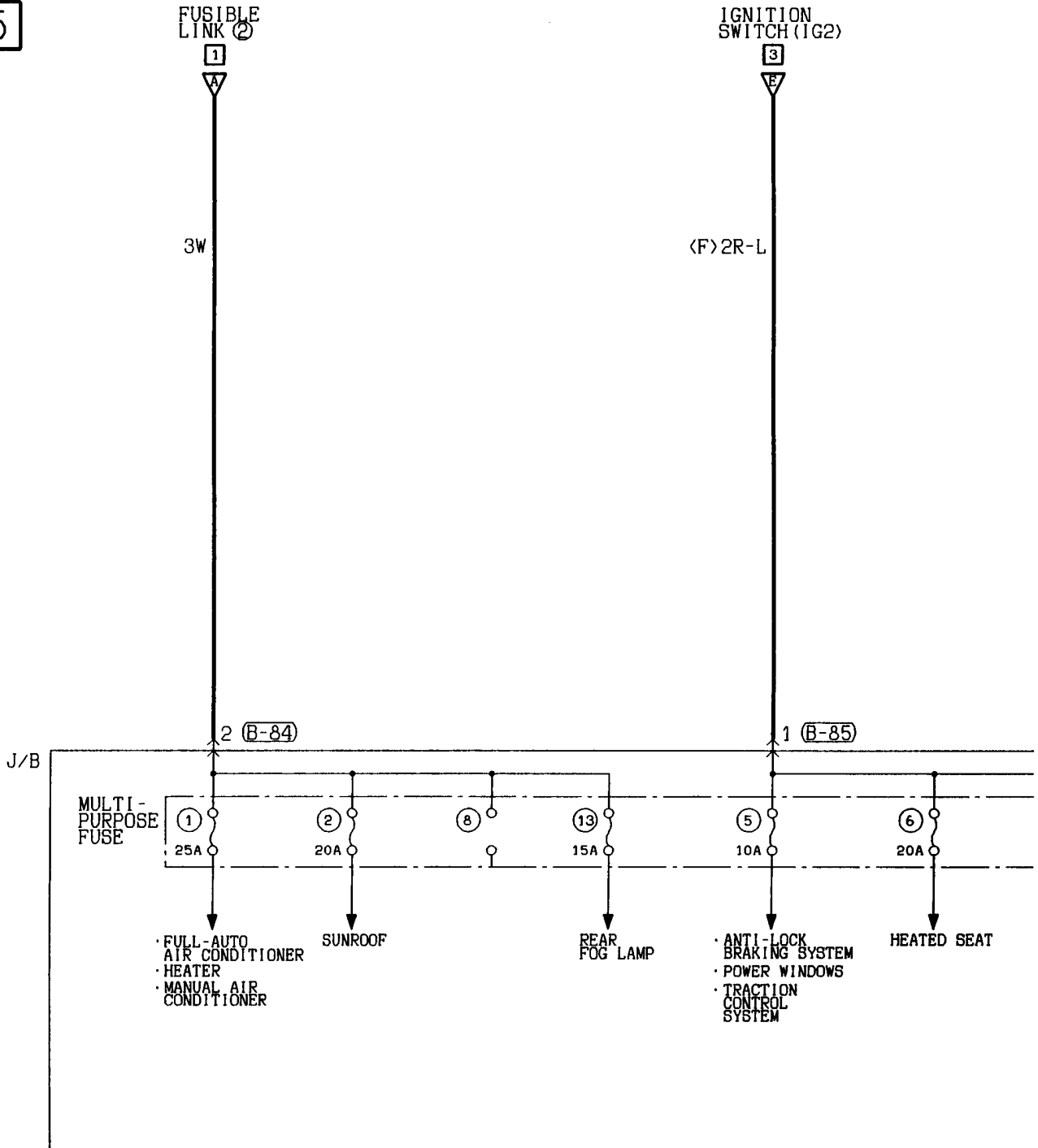
4



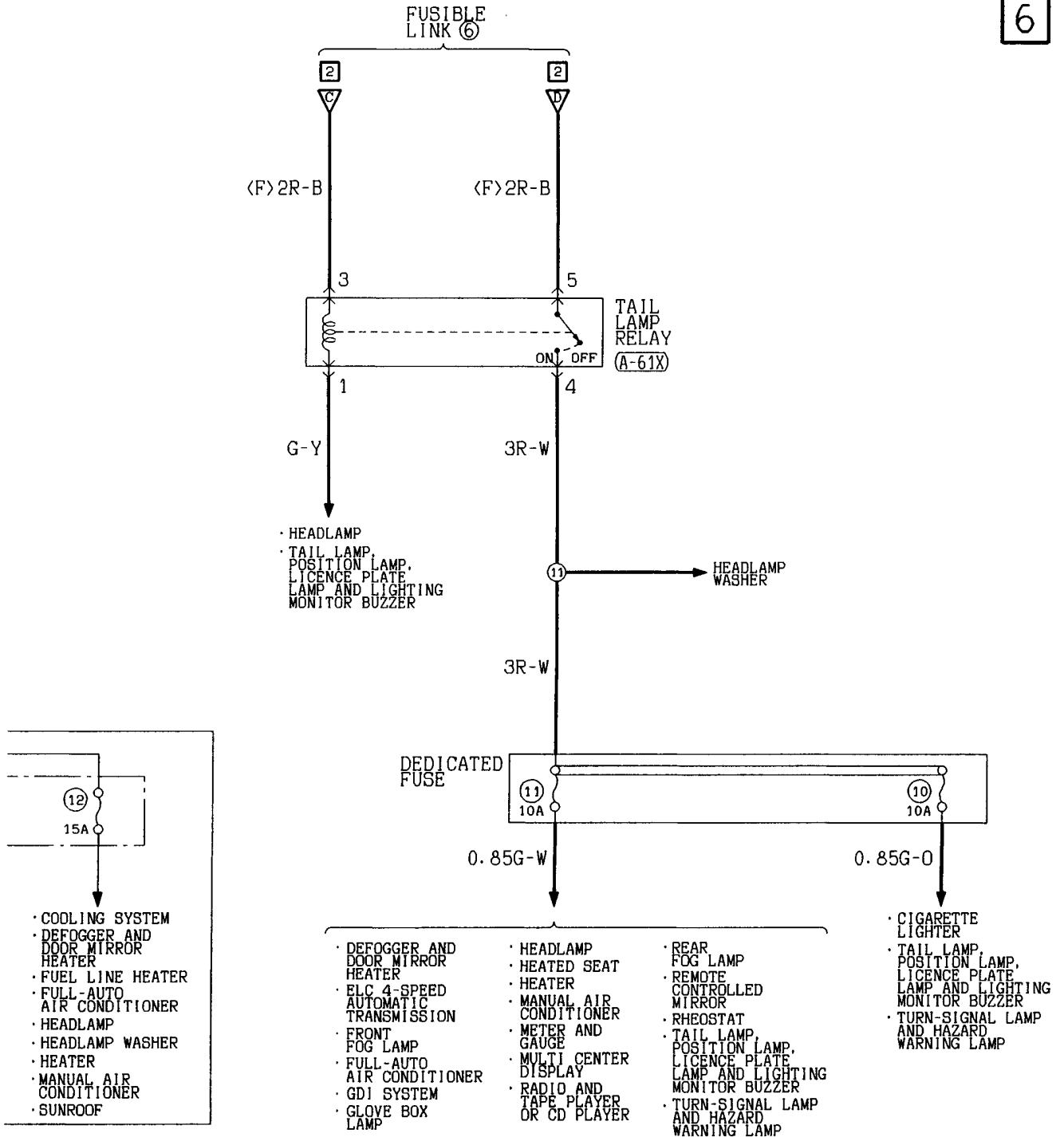
Wire colour code
 B:Black LG:Light green G:Green L:Blue W:White Y:Yellow SB:Sky blue
 BR:Brown O:Orange GR:Gray R:Red P:Pink V:Violet

**POWER DISTRIBUTION SYSTEM <Vehicles with daytime running lamp>
(CONTINUED)**

5



6

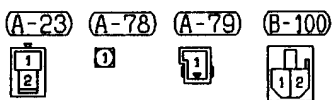
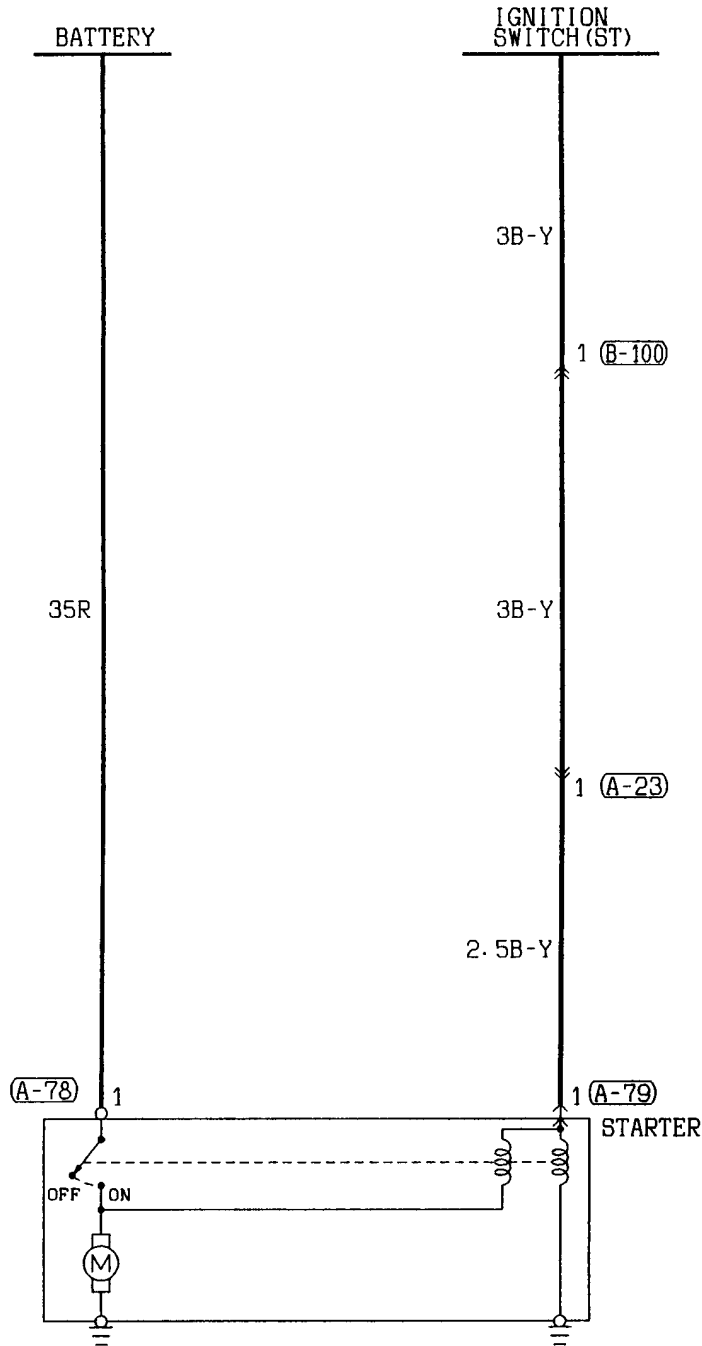


Wire colour code
 B:Black LG:Light green G:Green L:Blue W:White Y:Yellow SB:Sky blue
 BR:Brown O:Orange GR:Gray R:Red P:Pink V:Violet

STARTING SYSTEM

Diesel-powered vehicles

1

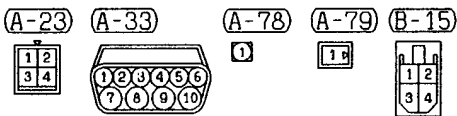
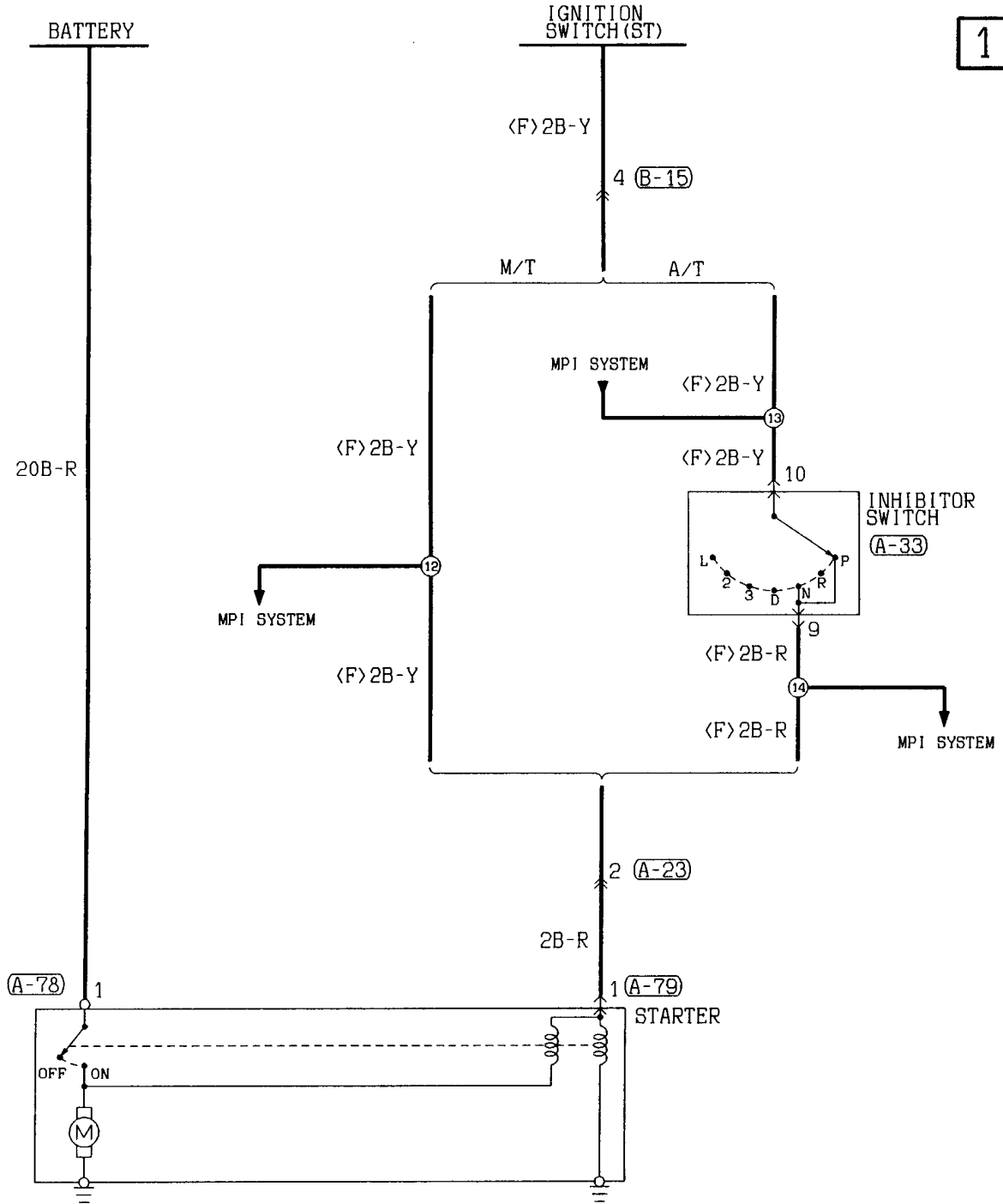


Wire colour code
 B :Black LG:Light green G :Green L :Blue W :White Y :Yellow SB:Sky blue
 BR:Brown O :Orange GR:Gray R :Red P :Pink V :Violet

STARTING SYSTEM

Petrol-powered vehicles <MPI>

1

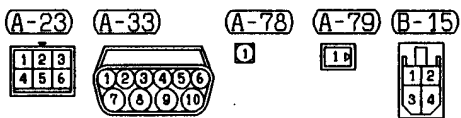
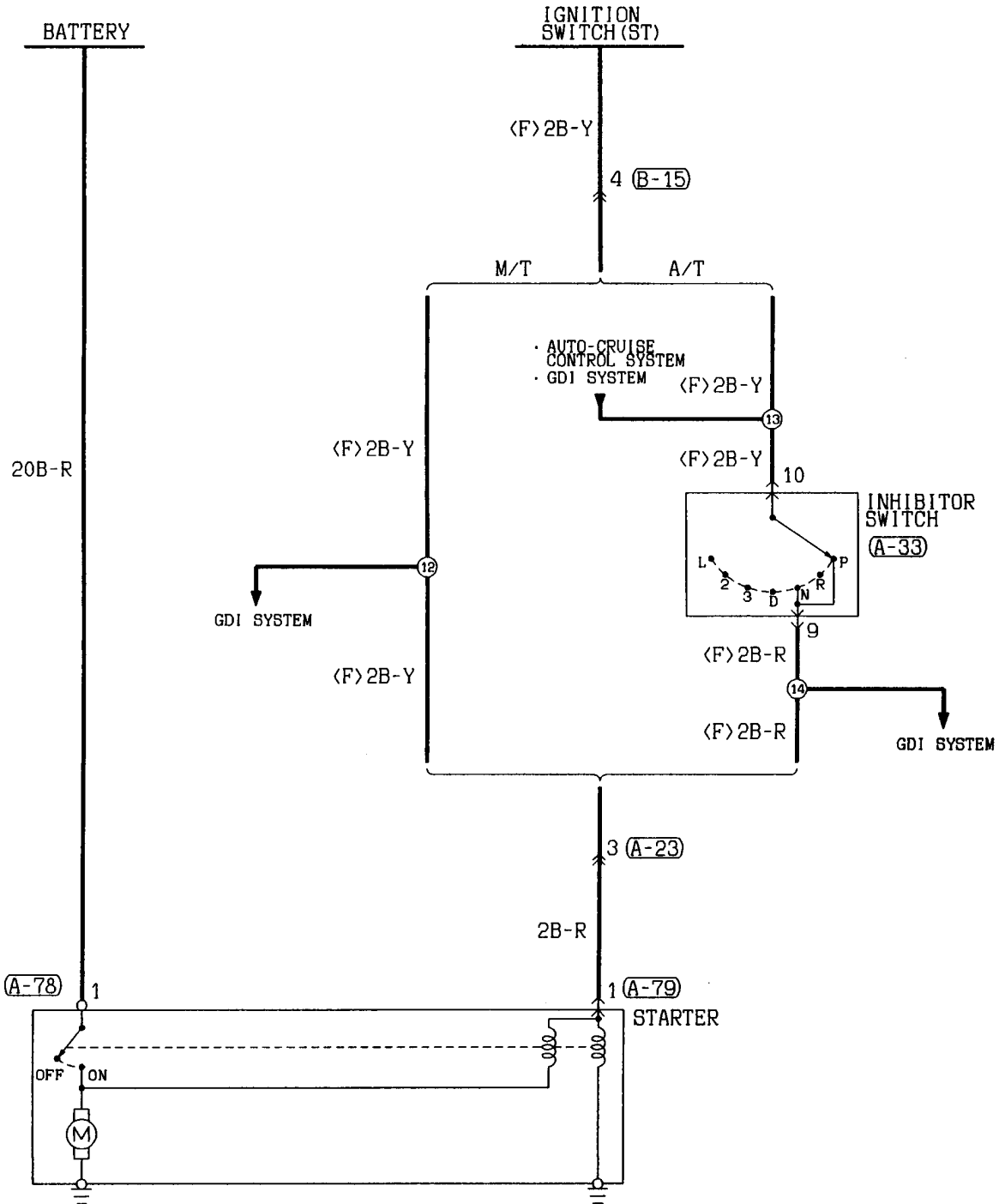


Wire colour code
 B :Black LG:Light green G :Green L :Blue W :White Y :Yellow SB:Sky blue
 BR:Brown O :Orange GR:Gray R :Red P :Pink V :Violet

STARTING SYSTEM

Petrol-powered vehicles <GDI>

1



Wire colour code
 B : Black LG: Light green G : Green L : Blue W : White Y : Yellow SB: Sky blue
 BR: Brown O : Orange GR: Gray R : Red P : Pink V : Violet

STARTING SYSTEM (See P. 4-22, 23, 24.)**OPERATION**

On vehicles with automatic transmission, placing the ignition switch in the ST position with the selector lever in P or N position causes the starter contacts (magnet switch) to close energizing the starter motor.

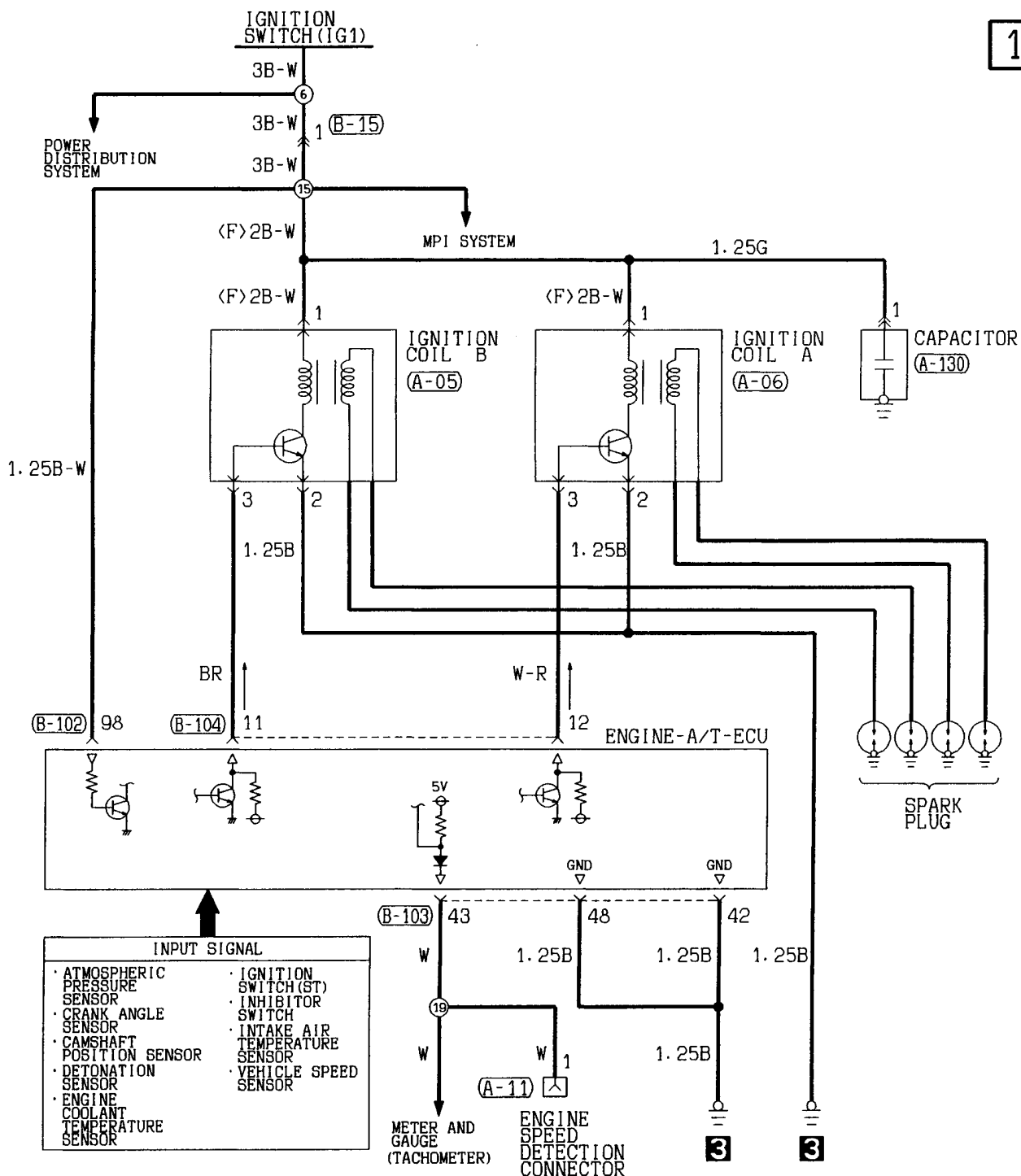
TROUBLESHOOTING HINTS

1. Starter motor does not turn over at all.
 - Check starter (coil).
 - Check battery terminals for proper contact.
 - Check inhibitor switch <A/T>
2. Starter motor does not stop rotating.
 - Check starter (magnet switch).

IGNITION SYSTEM

MPI-SOHC-A/T

1



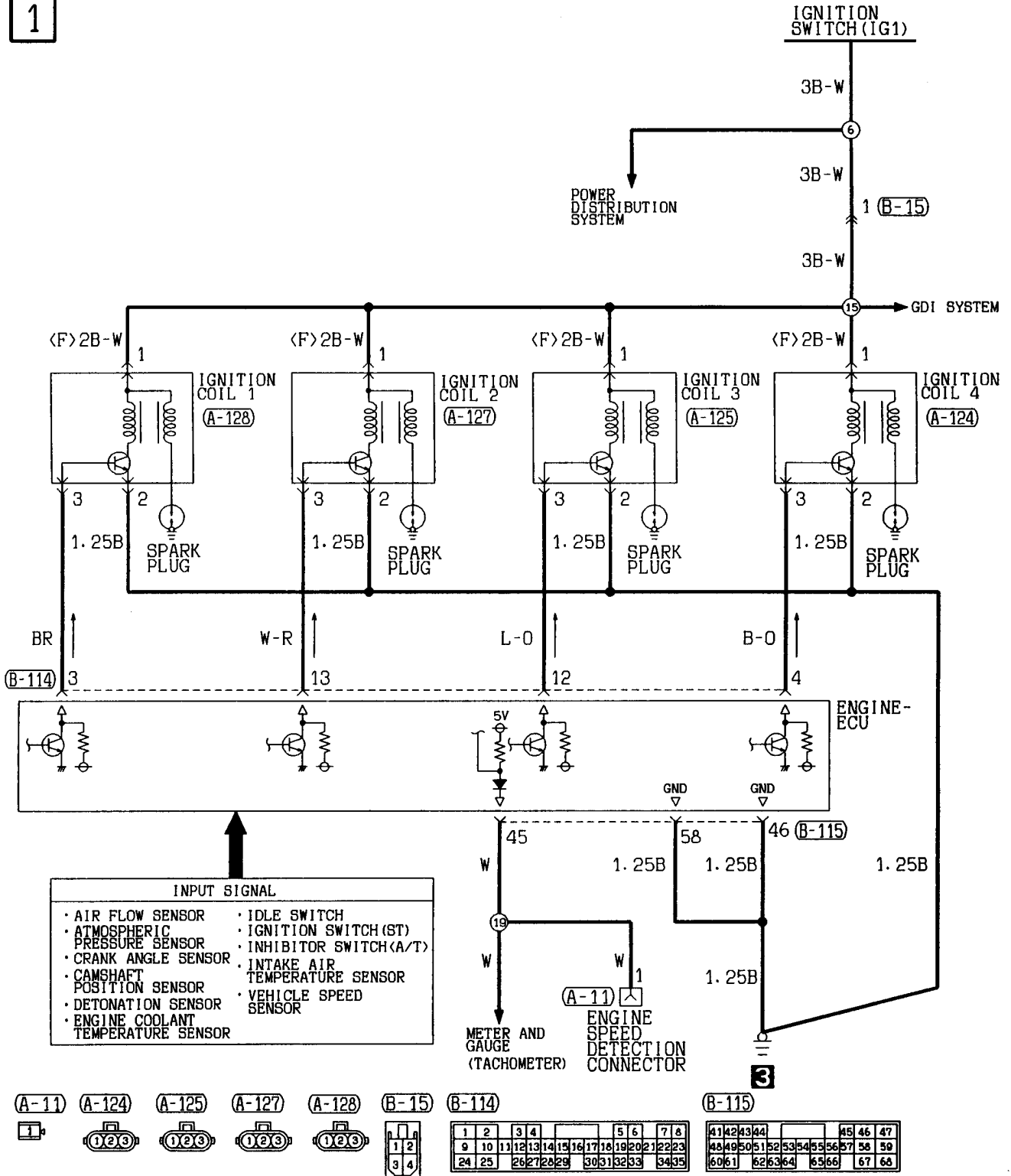
(A-05)	(A-06)	(A-11)	(A-130)	(B-15)	(B-102)	(B-103)	(B-104)
71 72 73 74	75 76 77	41 42 43	44 45 46	1 2	3 4	47 48 49 50 51 52 53 54 55 56 57	5 6 7 8
78 79 80 81 82 83 84 85 86 87 88 89	90 91 92 93 94 95 96 97 98	58 59 60 61 62 63	64 65 66	9 10 11 12 13 14 15 16 17 18 19 20 21 22 23	24 25 26 27 28 29 30 31 32 33 34 35		

Wire colour code
 B:Black LG:Light green G:Green L:Blue W:White Y:Yellow SB:Sky blue
 BR:Brown D:Orange GR:Gray R:Red P:Pink V:Violet

IGNITION SYSTEM

GDI

1



Wire colour code
 B : Black LG:Light green G :Green L :Blue W :White Y :Yellow SB:Sky blue
 BR:Brown O :Orange GR:Gray R :Red P :Pink V :Violet

CHARGING SYSTEM (See P. 4-30, 31, 32.)**OPERATION****When engine is stationary**

- When the ignition switch is turned to the ON position, current flows the alternator L terminal to the field coil and, at the same time, the charge warning lamp illuminates.

When engine is started and after engine has started

- When the engine is started, the charge warning lamp goes out because of the charging voltage begin applied to the alternator L terminal.
- The battery voltage being applied to the alternator S terminal is monitored by the voltage regulator. Therefore, the amount of electricity produced by the alternator is controlled by allowing and cutting off the current flowing to the field coil.
- The alternator B terminal supplies power to each load.

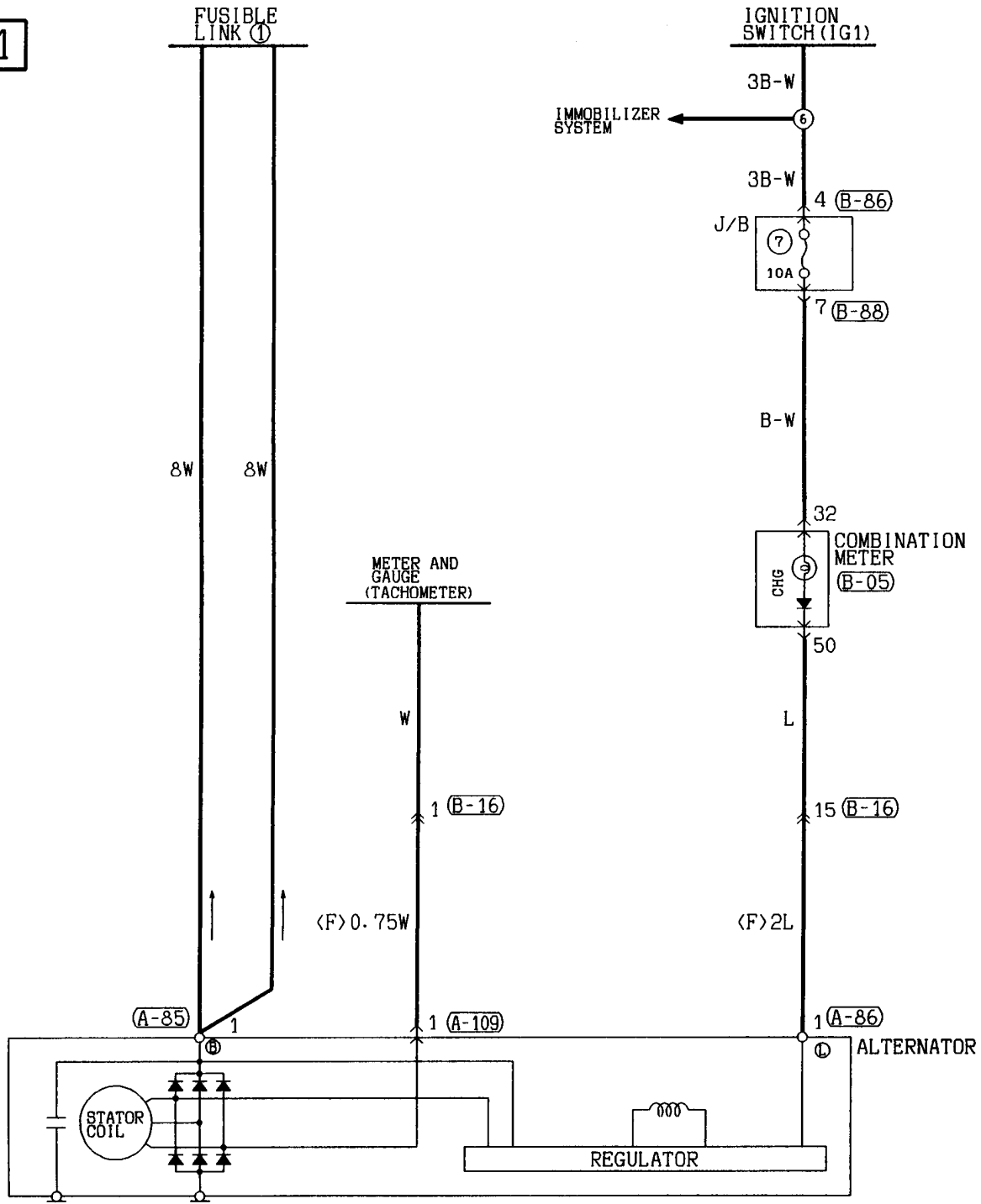
TROUBLESHOOTING HINTS

1. Charging indicator lamp does not illuminate when the ignition switch is turned to ON position, before the engine starts.
 - Check multi-purpose fuse No. (7)
 - Check the bulb.
2. Charging indicator lamp fails to switch off once the engine starts.
 - Check voltage regulator of alternator.
3. Discharged or overcharged battery.
 - Check voltage regulator of alternator.
4. Charge warning lamp illuminates dimly.
 - Check combination meter diode (for short).

CHARGING SYSTEM

Diesel-powered vehicles

1

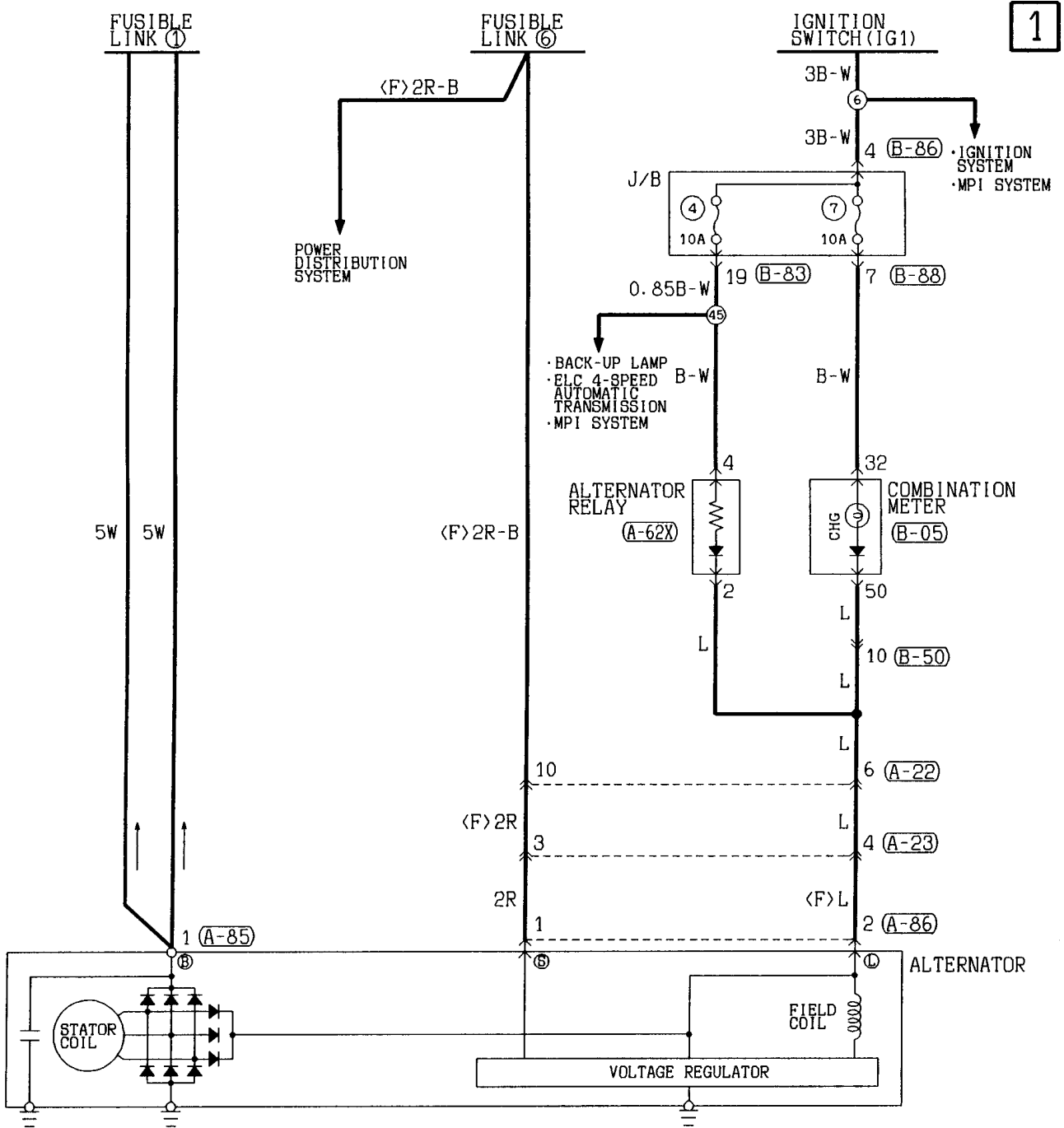


(A-85)	(A-86)	(A-109)	(B-05)	(B-16)	(B-86)	(B-88)
1	0	1	31 32 33 34 35 36 37 38 39 40 41 42	1 2 3 4 5 6 7 8 9	1 2 3 4 5 6 7 8	1 2 3 4 5 6 7 8 9 10
			43 44 45 46 47 48 49 50 51 52 53 54 55	10 11 12 13 14 15 16 17 18 19 20	9 10 11 12 13 14 15 16 17 18	11 12 13 14 15 16 17 18 19 20 21 22

Wire colour code
 B : Black LG : Light green G : Green L : Blue W : White Y : Yellow SB : Sky blue
 BR : Brown O : Orange GR : Gray R : Red P : Pink V : Violet

CHARGING SYSTEM

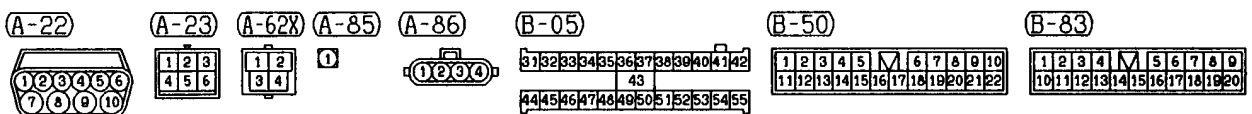
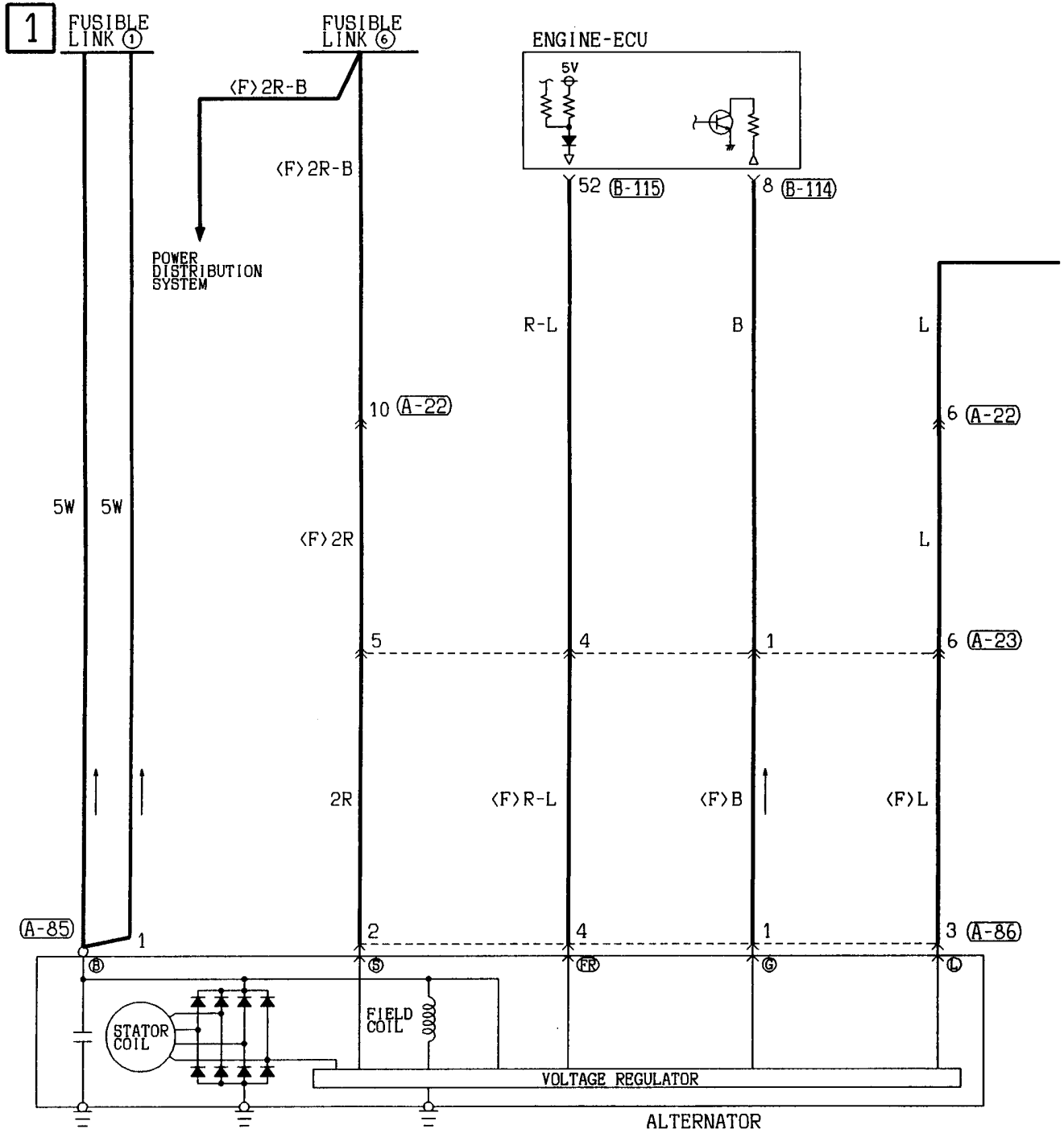
Petrol-powered vehicles <MPI>



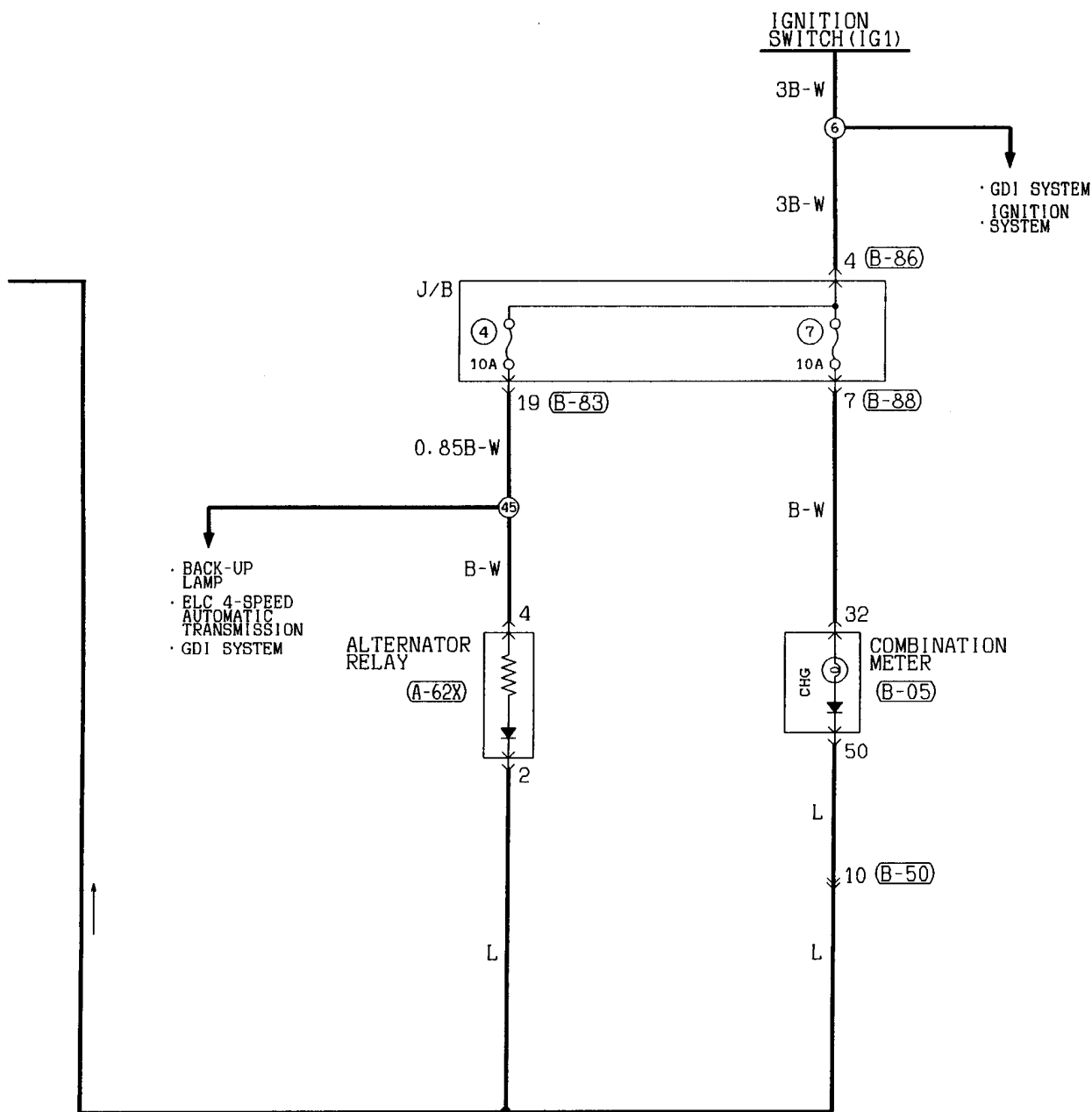
A-22 1 2 3 4 5 6 7 8 9 10	A-23 1 2 3 4	A-62X 1 2 3 4	A-85 ①	A-86 ① ②	B-05 31 32 33 34 35 36 37 38 39 40 41 42 53 44 45 46 47 48 49 50 51 52 53 54 55	B-50 1 2 3 4 5 6 7 8 9 10 11 12 13 14 15 16 17 18 19 20 21 22	B-83 1 2 3 4 5 6 7 8 9 10 11 12 13 14 15 16 17 18 19 20
B-86 1 2 3 4 5 6 7 8 9 10 11 12 13 14 15 16 17 18	B-88 1 2 3 4 5 6 7 8 9 10 11 12 13 14 15 16 17 18 19 20 21 22	Wire colour code B : Black LG : Light green G : Green L : Blue BR : Brown O : Orange GR : Gray R : Red W : White SB : Sky blue P : Pink Y : Yellow V : Violet					

CHARGING SYSTEM

Petrol-powered vehicles <GDI>



2



(B-86)

1	2	3	4	M	5	6	7	8	
9	10	11	12	13	14	15	16	17	18

(B-88)

1	2	3	4	M	6	7	8	9	10		
11	12	13	14	15	16	17	18	19	20	21	22

(B-114)

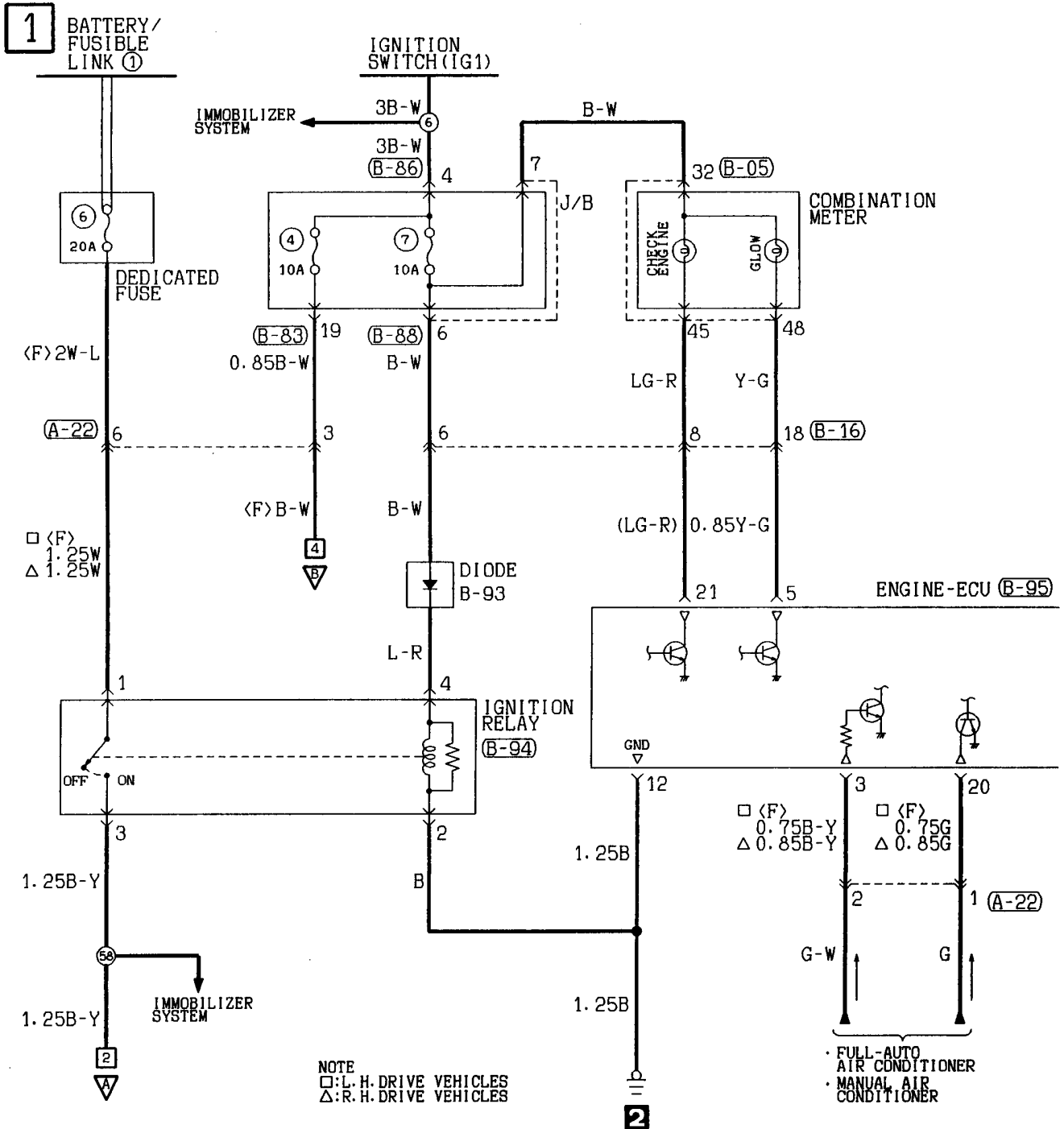
1	2	3	4	5	6	7	8							
9	10	11	12	13	14	15	16	17	18	19	20	21	22	23
24	25	26	27	28	29	30	31	32	33	34	35			

(B-115)

41	42	43	44	45	46	47					
48	49	50	51	52	53	54	55	56	57	58	59
60	61	62	63	64	65	66	67	68			

Wire colour code
 B : Black LG : Light green G : Green L : Blue W : White Y : Yellow SB : Sky blue
 BR : Brown O : Orange GR : Gray R : Red P : Pink V : Violet

GLOW SYSTEM



A-22

1	2	3
4	5	6

A-95

1

A-96

1	
2	3

A-97

1

A-98

1

A-99

1
2

B-05

31	32	33	34	35	36	37	38	39	40	41	42
43											
44	45	46	47	48	49	50	51	52	53	54	55

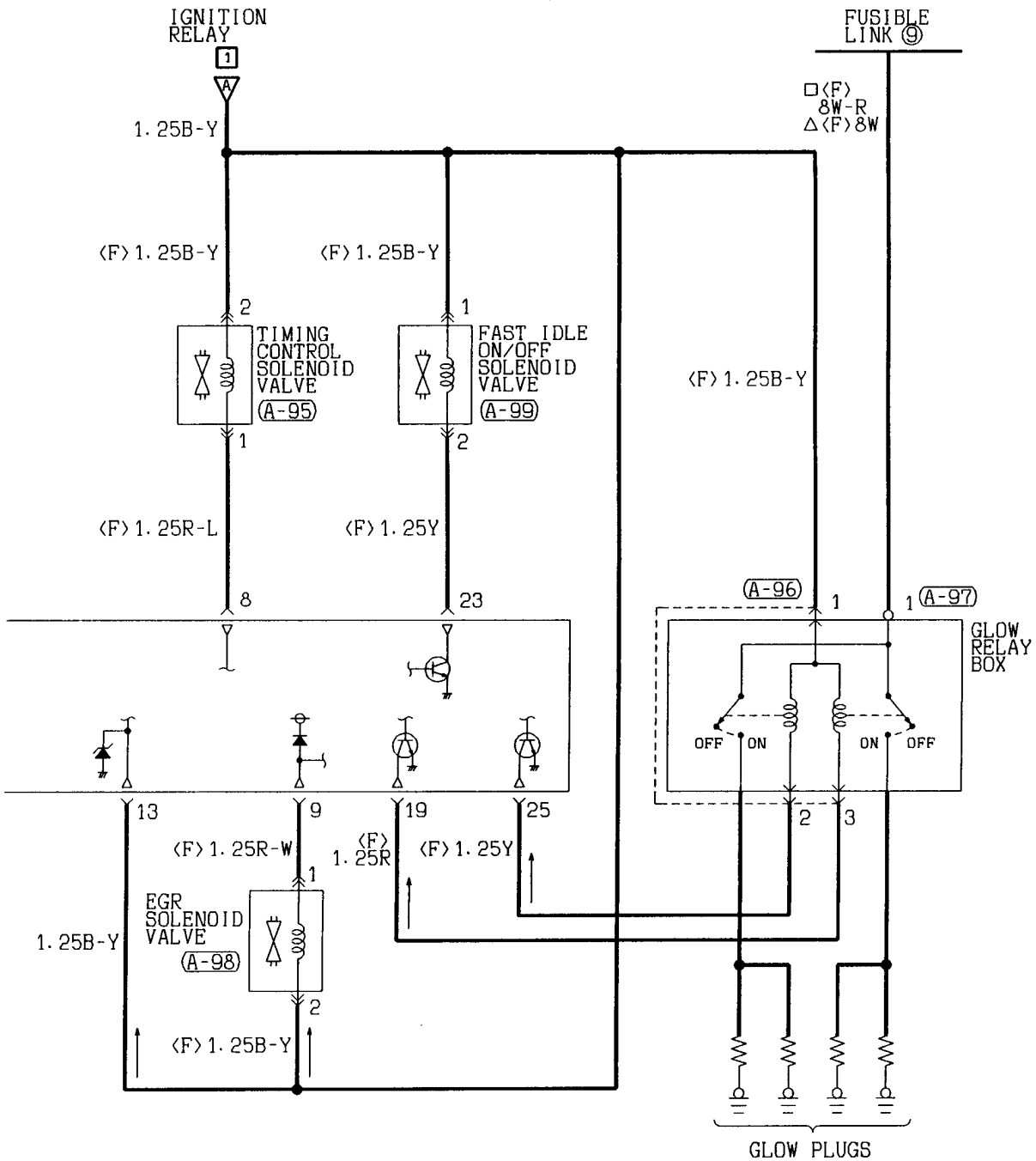
B-16

1	2	3	4	M	5	6	7	8	9	
10	11	12	13	14	15	16	17	18	19	20

B-83

1	2	3	4	M	5	6	7	8	9	
10	11	12	13	14	15	16	17	18	19	20

2



(B-86)

1	2	3	4	5	6	7	8		
9	10	11	12	13	14	15	16	17	18

(B-88)

1	2	3	4	5	6	7	8	9	10		
11	12	13	14	15	16	17	18	19	20	21	22

(B-94)

1	2
3	4

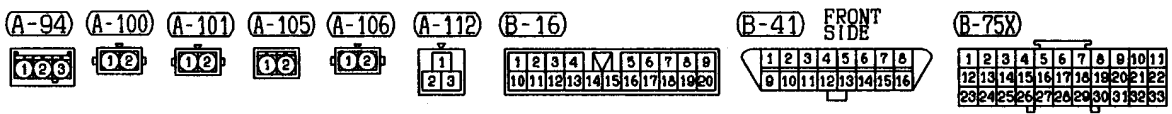
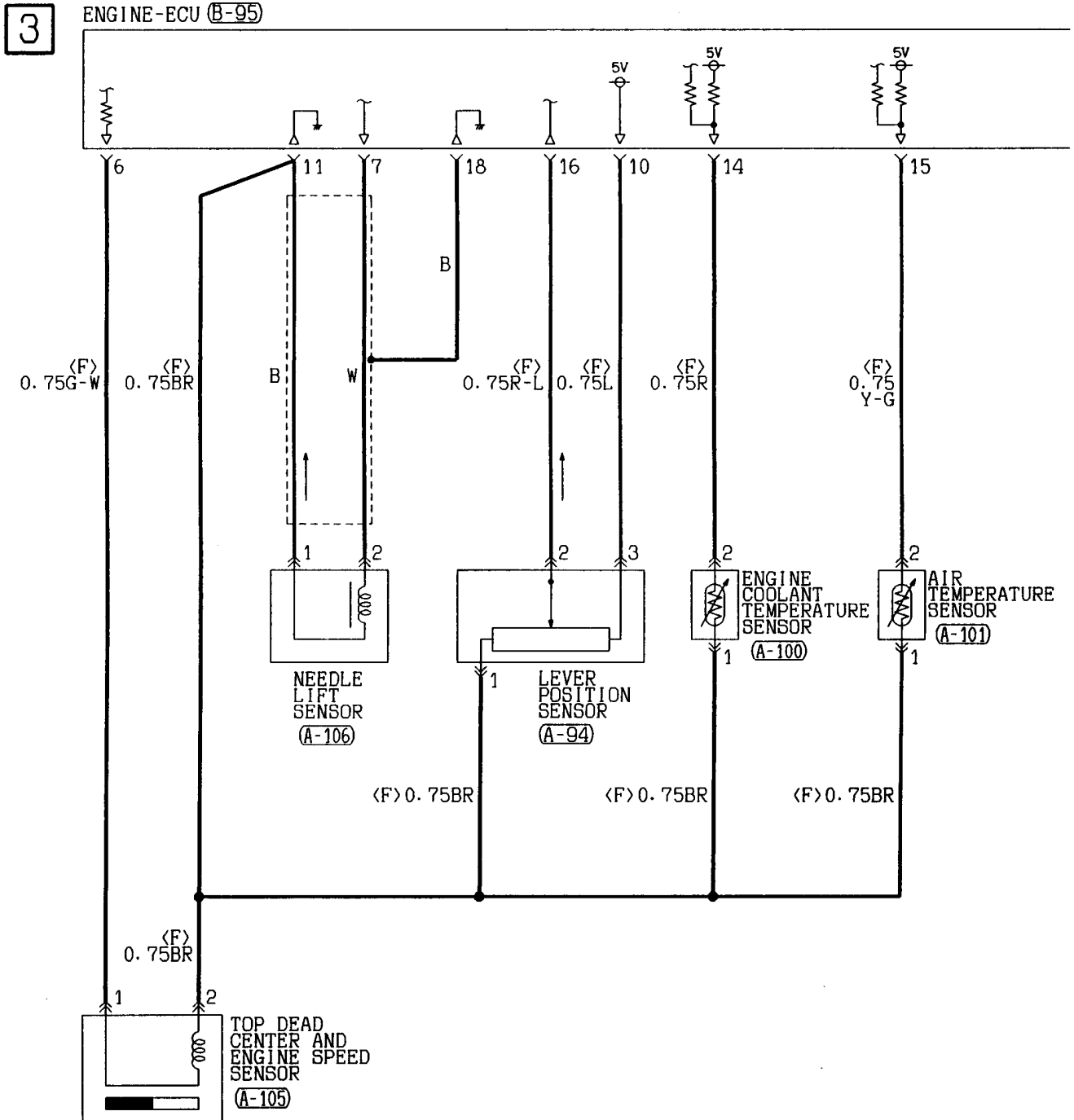
(B-95)

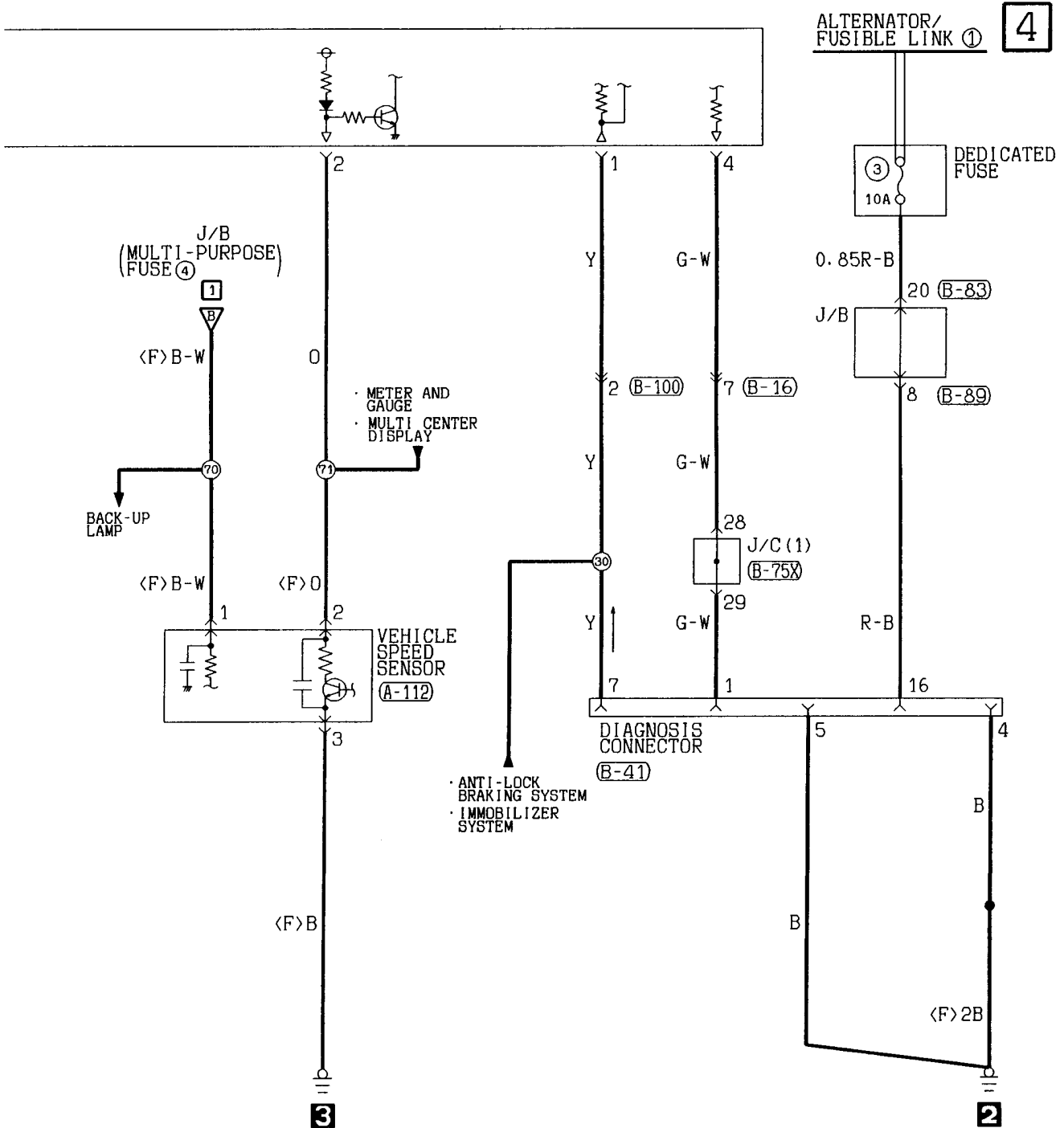
1	2	3	4	5	6	7	8	9	10	11	12	13
14	15	16	17	18	19	20	21	22	23	24	25	

Wire colour code

B : Black LG : Light green G : Green L : Blue W : White Y : Yellow SB : Sky blue
 BR : Brown O : Orange GR : Gray R : Red P : Pink V : Violet

GLOW SYSTEM (CONTINUED)





(B-83)

1	2	3	4	5	6	7	8	9		
10	11	12	13	14	15	16	17	18	19	20

(B-89)

1	2	3	4	5	6	7	8	9	10		
11	12	13	14	15	16	17	18	19	20	21	22

(B-95)

1	2	3	4	5	6	7	8	9	10	11	12	13
14	15	16	17	18	19	20	21	22	23	24	25	

(B-100)

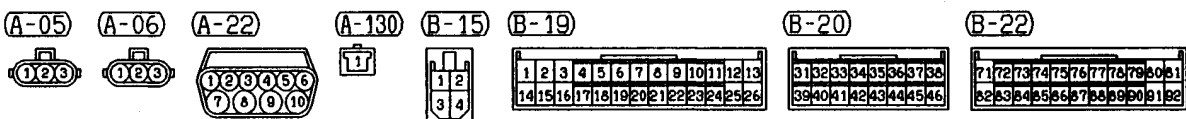
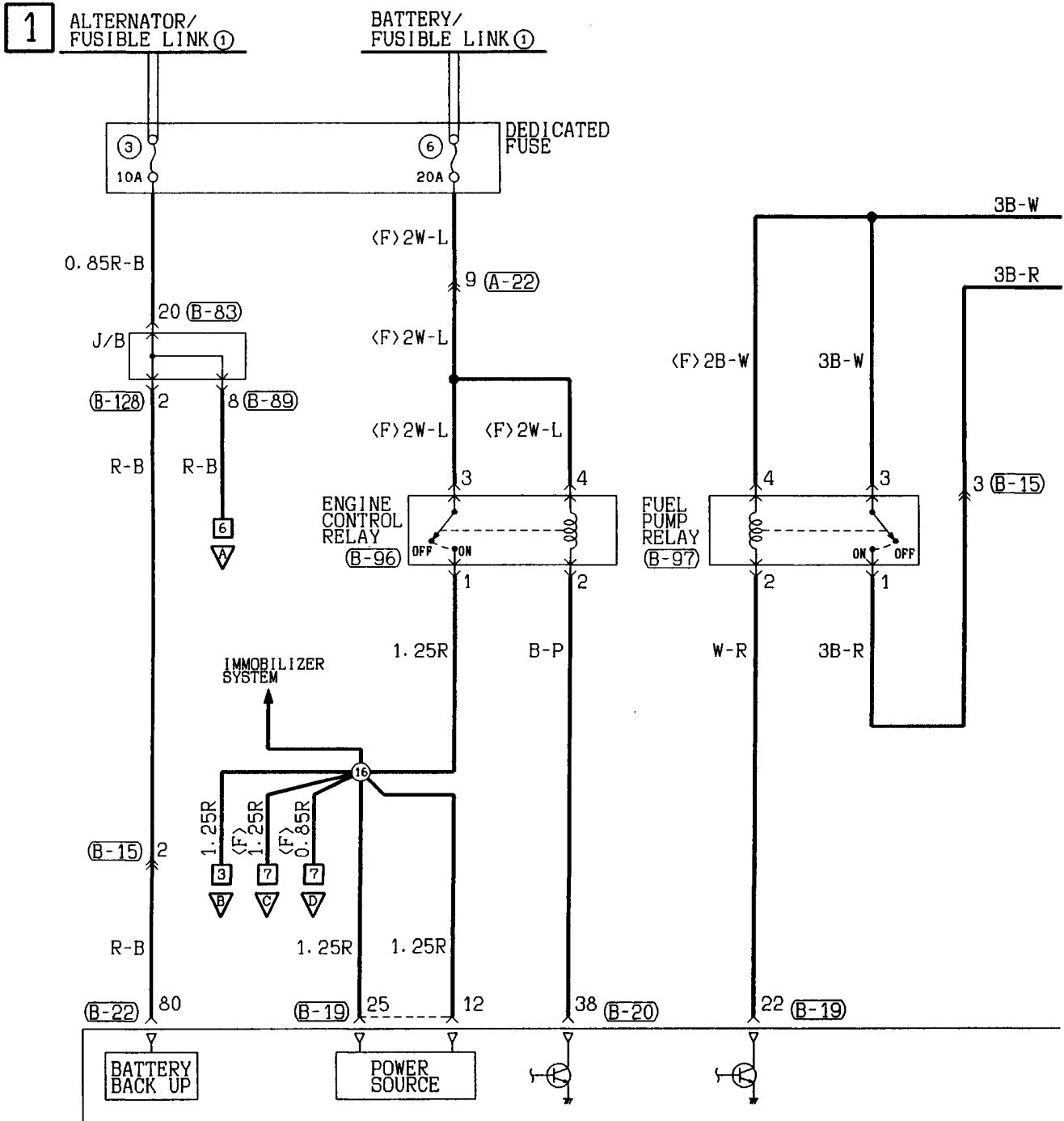
1	2
---	---

Wire colour code

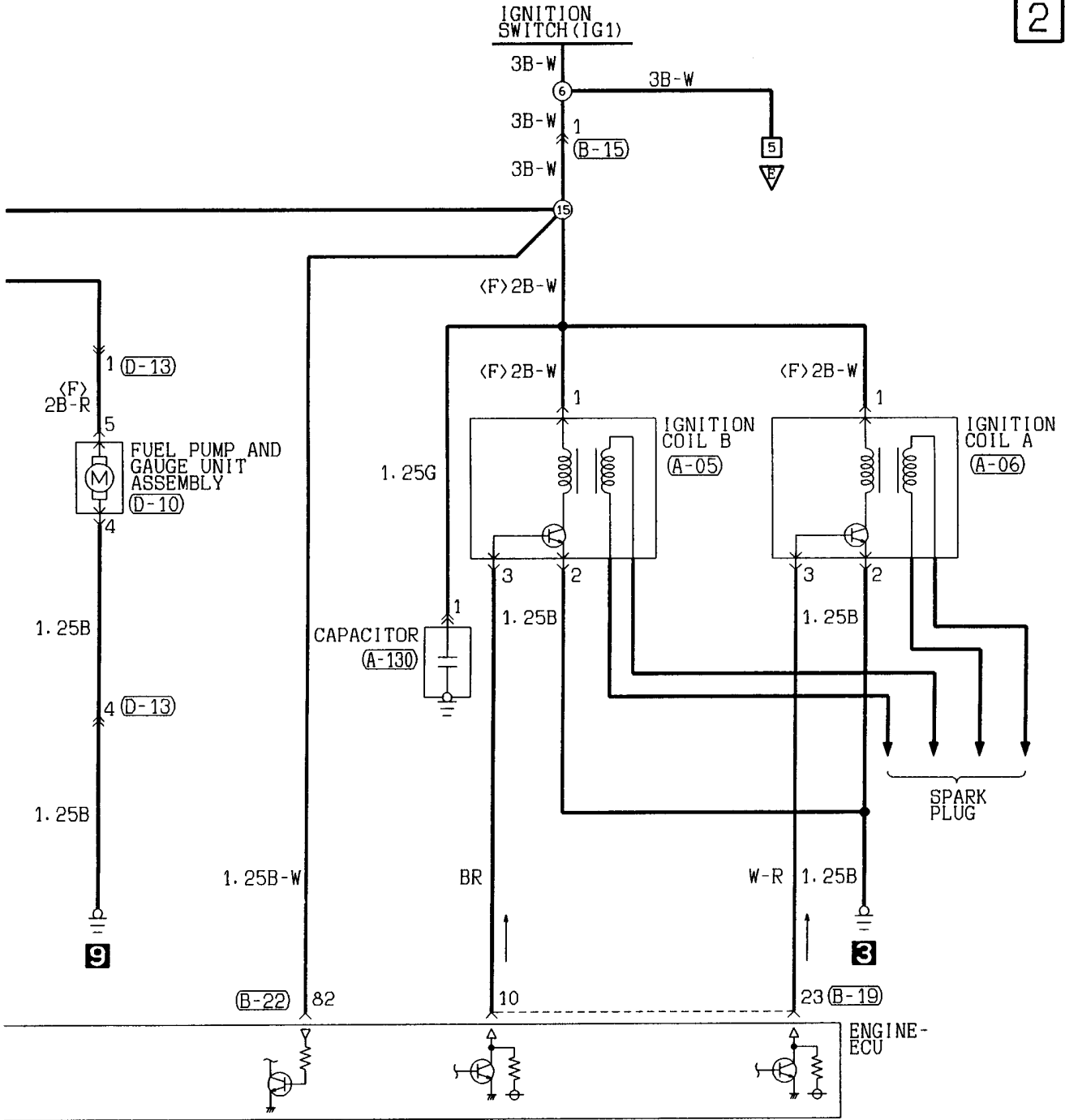
B:Black LG:Light green G:Green L:Blue W:White Y:Yellow SB:Sky blue
 BR:Brown O:Orange GR:Gray R:Red P:Pink V:Violet

MPI SYSTEM

MPI-SOHC-M/T



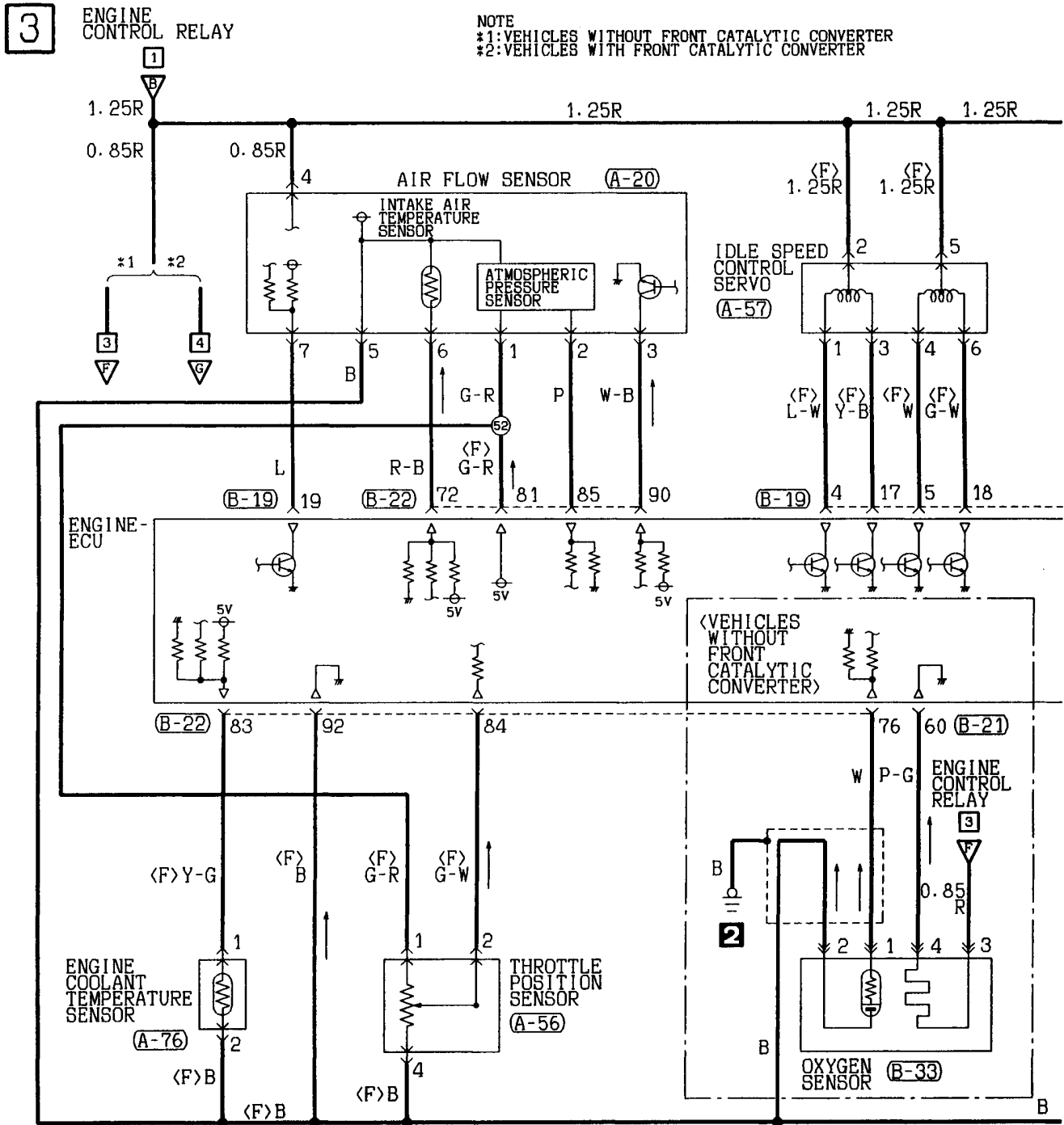
2



(B-83)	(B-89)	(B-96)	(B-97)	(B-128)	(D-10)	(D-13)
1 2 3 4 5 6 7 8 9 10 11 12 13 14 15 16 17 18 19 20	1 2 3 4 5 6 7 8 9 10 11 12 13 14 15 16 17 18 19 20 21 22	1 2 3 4	1 2 3 4	1 2 3 4 5 6 7 8 9 10 11 12 13 14 15 16 17 18	1 2 3 4 5	1 2 3 4 5 6 7 8 9 10

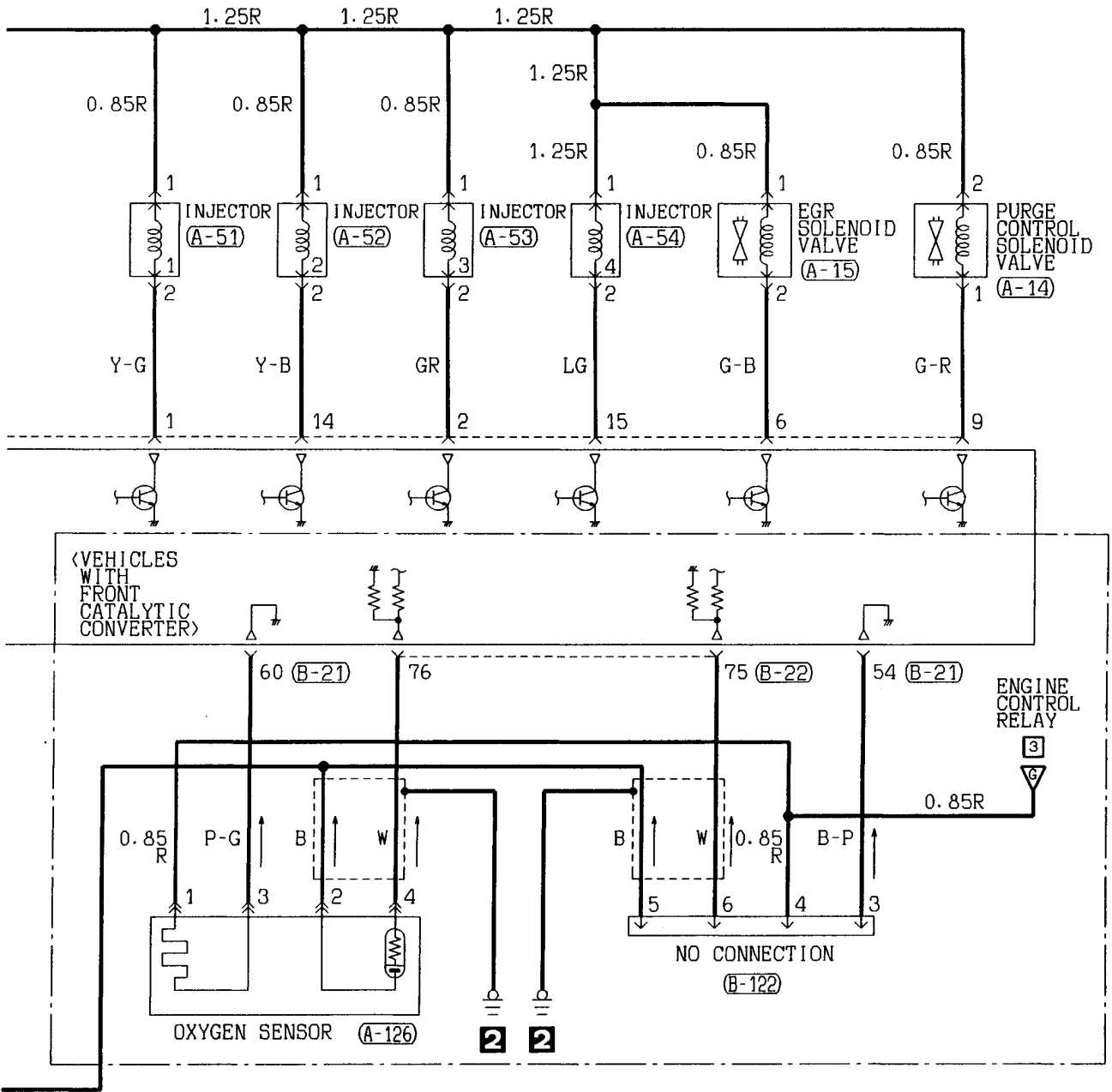
Wire colour code
 B : Black LG: Light green G : Green L : Blue W : White Y : Yellow SB: Sky blue
 BR: Brown O : Orange GR: Gray R : Red P : Pink V : Violet

MPI SYSTEM <MPI-SOHC-M/T> (CONTINUED)



- A-14
- A-15
- A-20
- A-51
- A-52
- A-53
- A-54
- A-56
- A-57
- A-76
- A-126

4



(B-19)

1	2	3	4	5	6	7	8	9	10	11	12	13
14	15	16	17	18	19	20	21	22	23	24	25	26

(B-21)

51	52	53	54	55	56
57	58	59	60	61	62

(B-22)

71	72	73	74	75	76	77	78	79	80	81
82	83	84	85	86	87	88	89	90	91	92

(B-33)

1	2	3	4
---	---	---	---

(B-122)

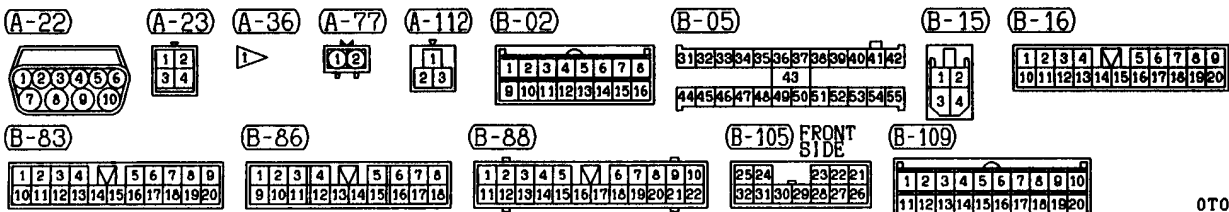
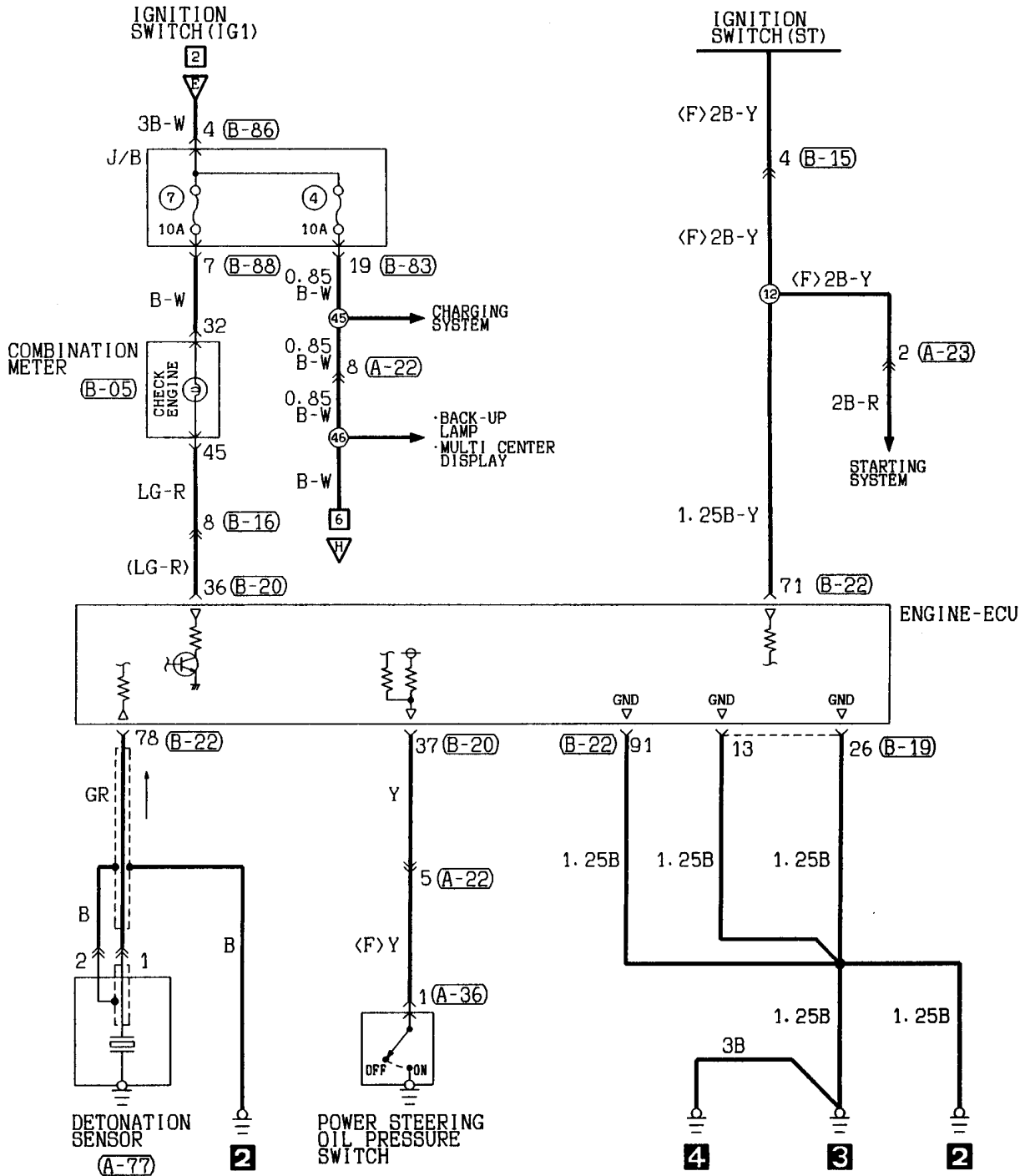
1	2
3	4
5	6

Wire colour code

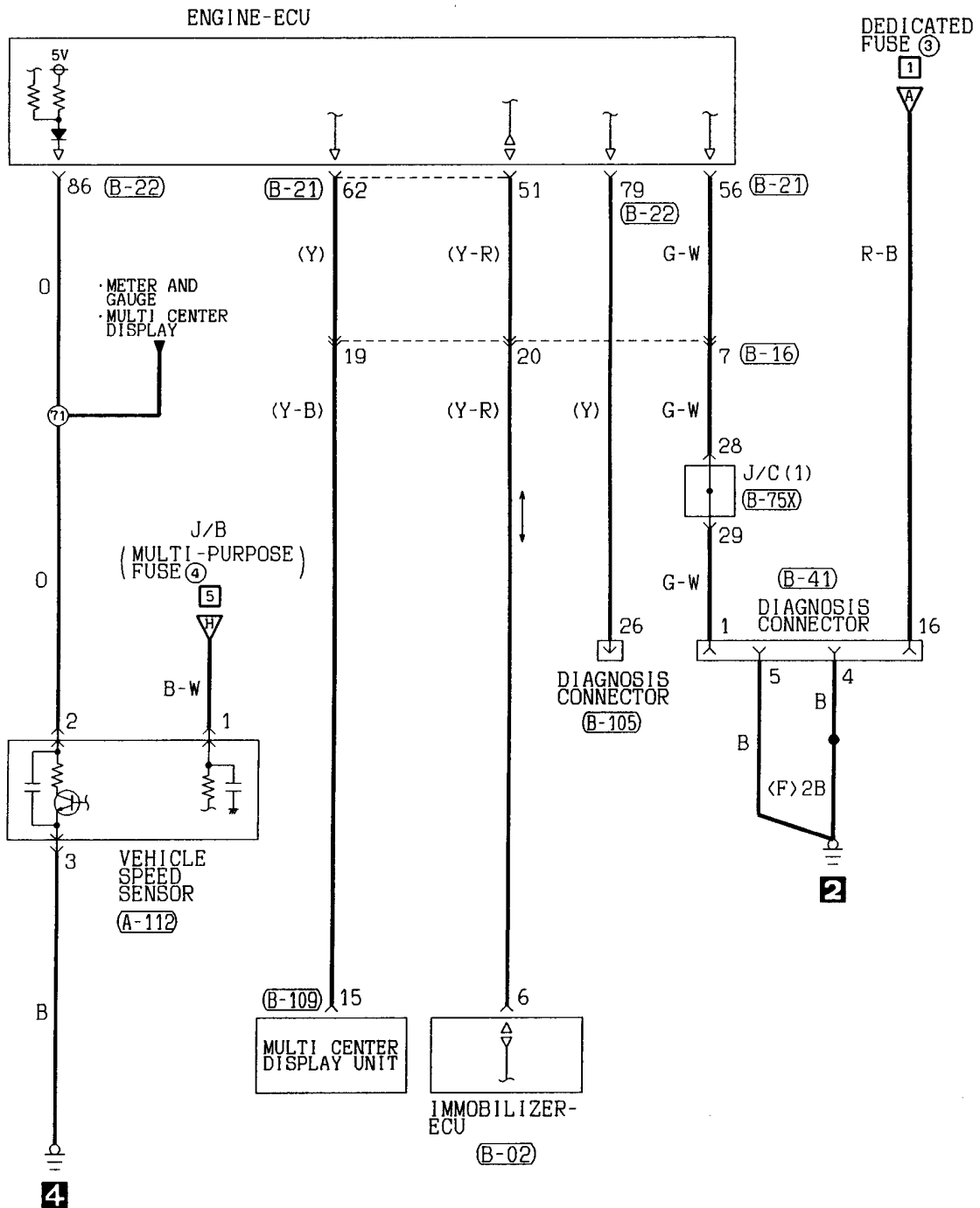
B:Black LG:Light green G:Green L:Blue W:White Y:Yellow SB:Sky blue
 BR:Brown O:Orange GR:Gray R:Red P:Pink V:Violet

MPI SYSTEM <MPI-SOHC-M/T> (CONTINUED)

5



6



(B-19)

1	2	3	4	5	6	7	8	9	10	11	12	13
14	15	16	17	18	19	20	21	22	23	24	25	26

(B-20)

31	32	33	34	35	36	37	38
39	40	41	42	43	44	45	46

(B-21)

51	52	53	54	55	56
57	58	59	60	61	62

(B-22)

71	72	73	74	75	76	77	78	79	80	81
82	83	84	85	86	87	88	89	90	91	92

(B-41) FRONT SIDE

1	2	3	4	5	6	7	8
9	10	11	12	13	14	15	16

(B-75X)

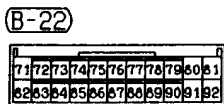
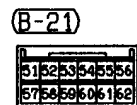
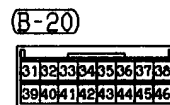
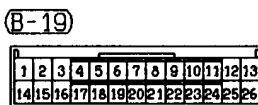
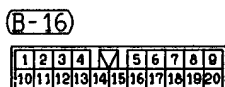
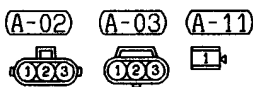
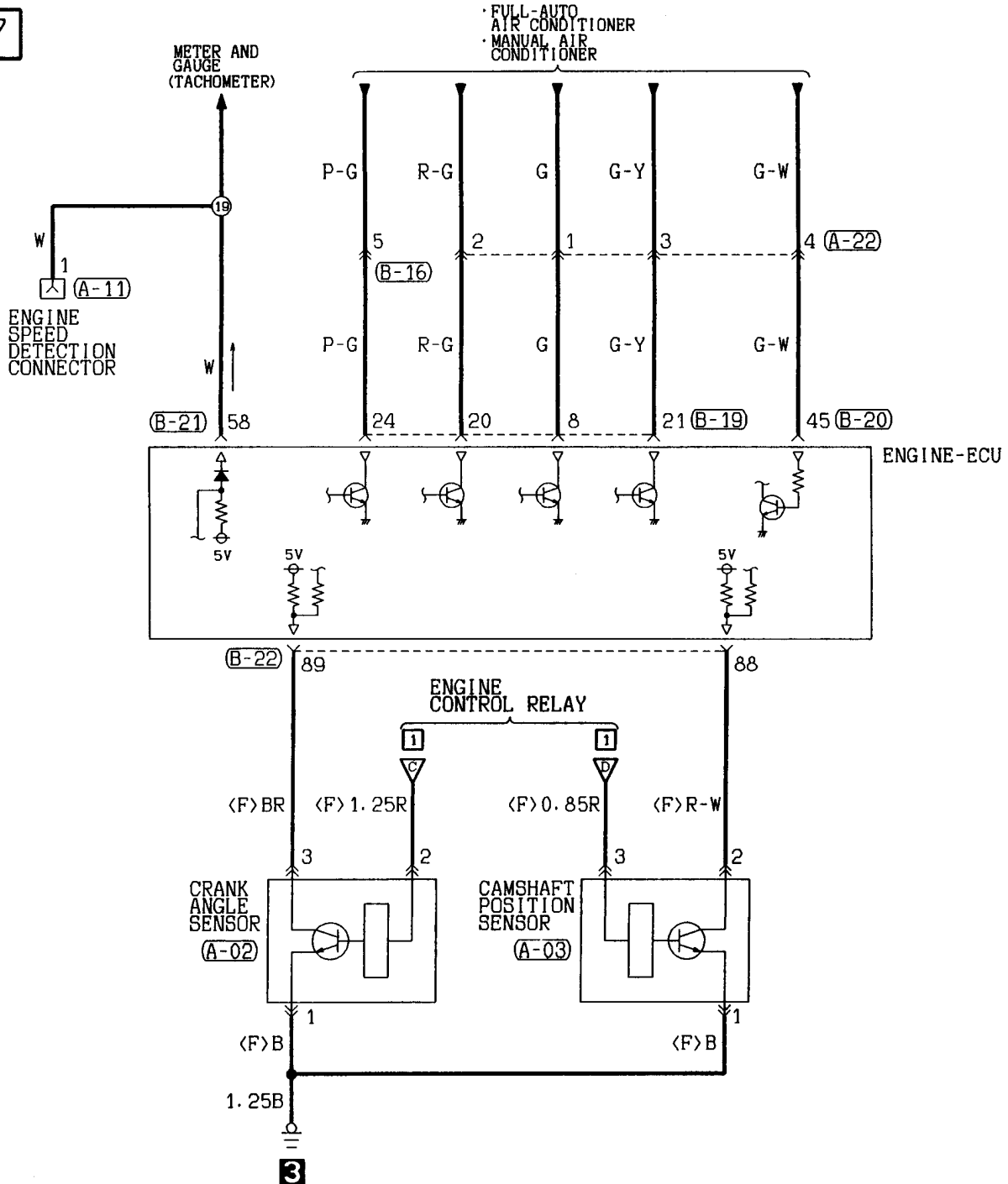
1	2	3	4	5	6	7	8	9	10	11
12	13	14	15	16	17	18	19	20	21	22
23	24	25	26	27	28	29	30	31	32	33

Wire colour code

B : Black LG : Light green G : Green L : Blue W : White Y : Yellow SB : Sky blue
 BR : Brown O : Orange GR : Gray R : Red P : Pink V : Violet

MPI SYSTEM <MPI-SOHC-M/T> (CONTINUED)

7

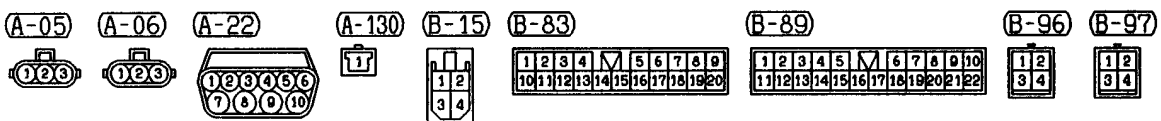
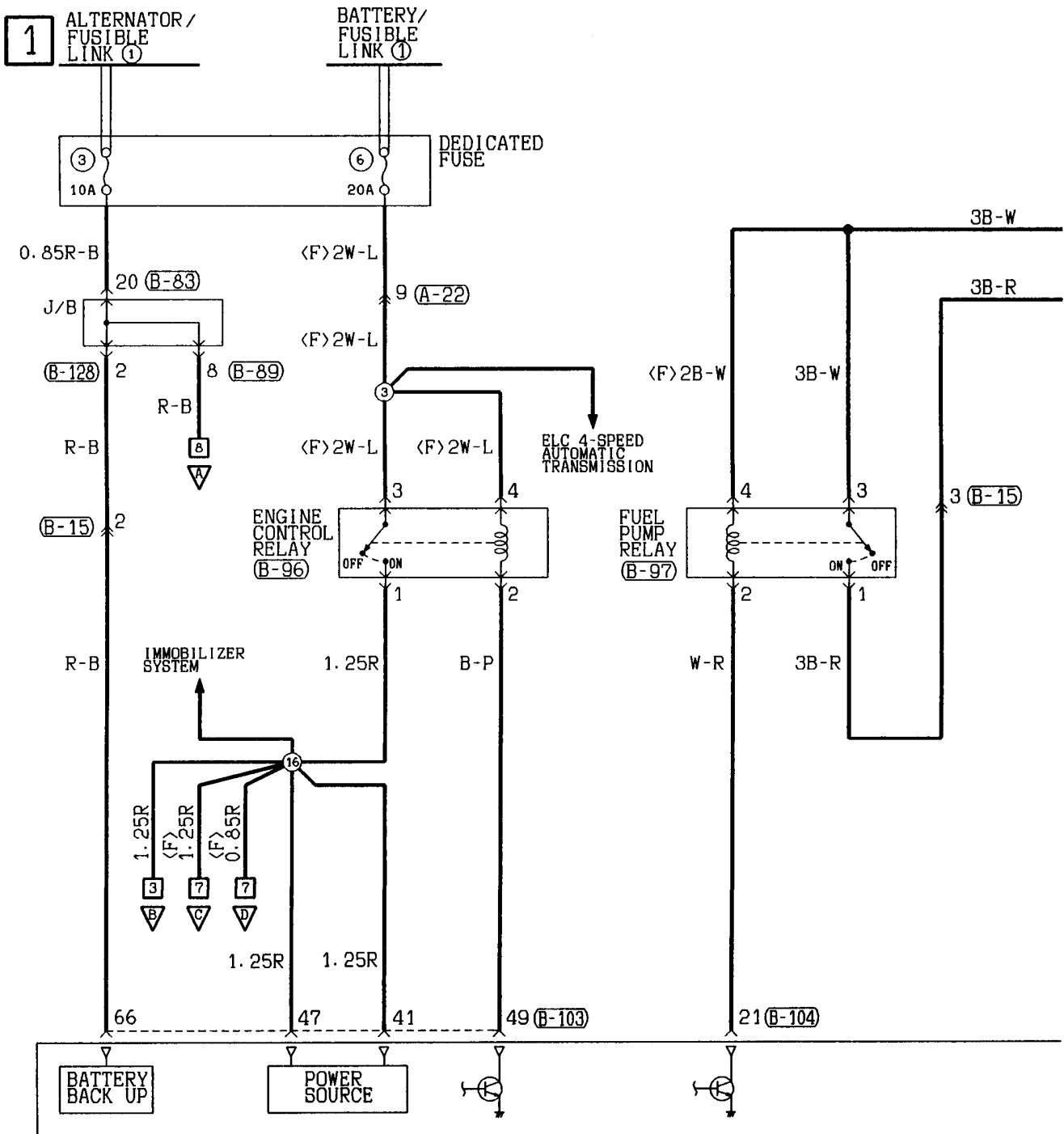


Wire colour code
 B : Black LG : Light green G : Green L : Blue
 BR : Brown O : Orange GR : Gray R : Red
 W : White SB : Sky blue P : Pink Y : Yellow
 V : Violet

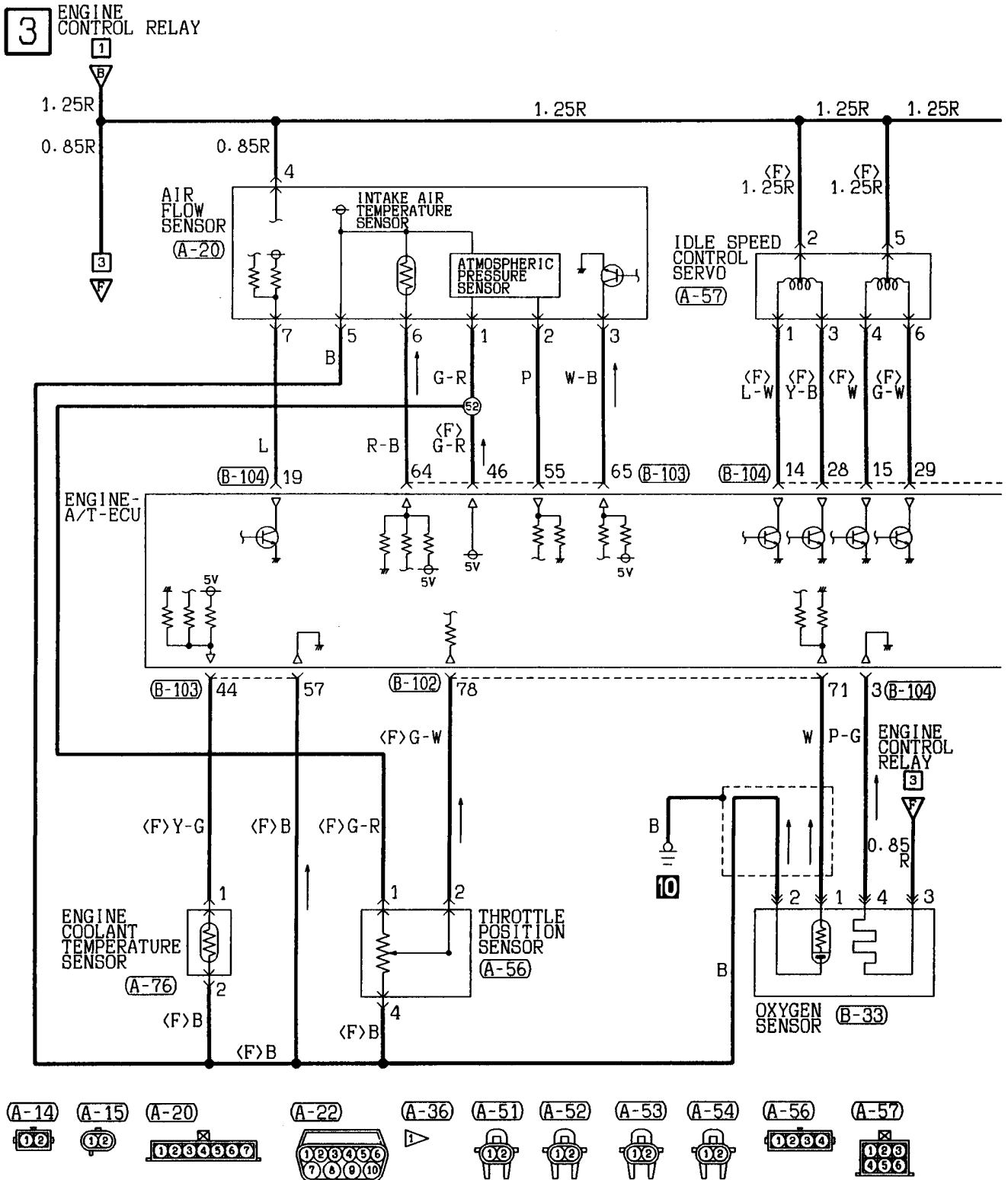
NOTES

MPI SYSTEM

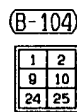
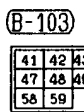
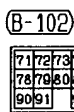
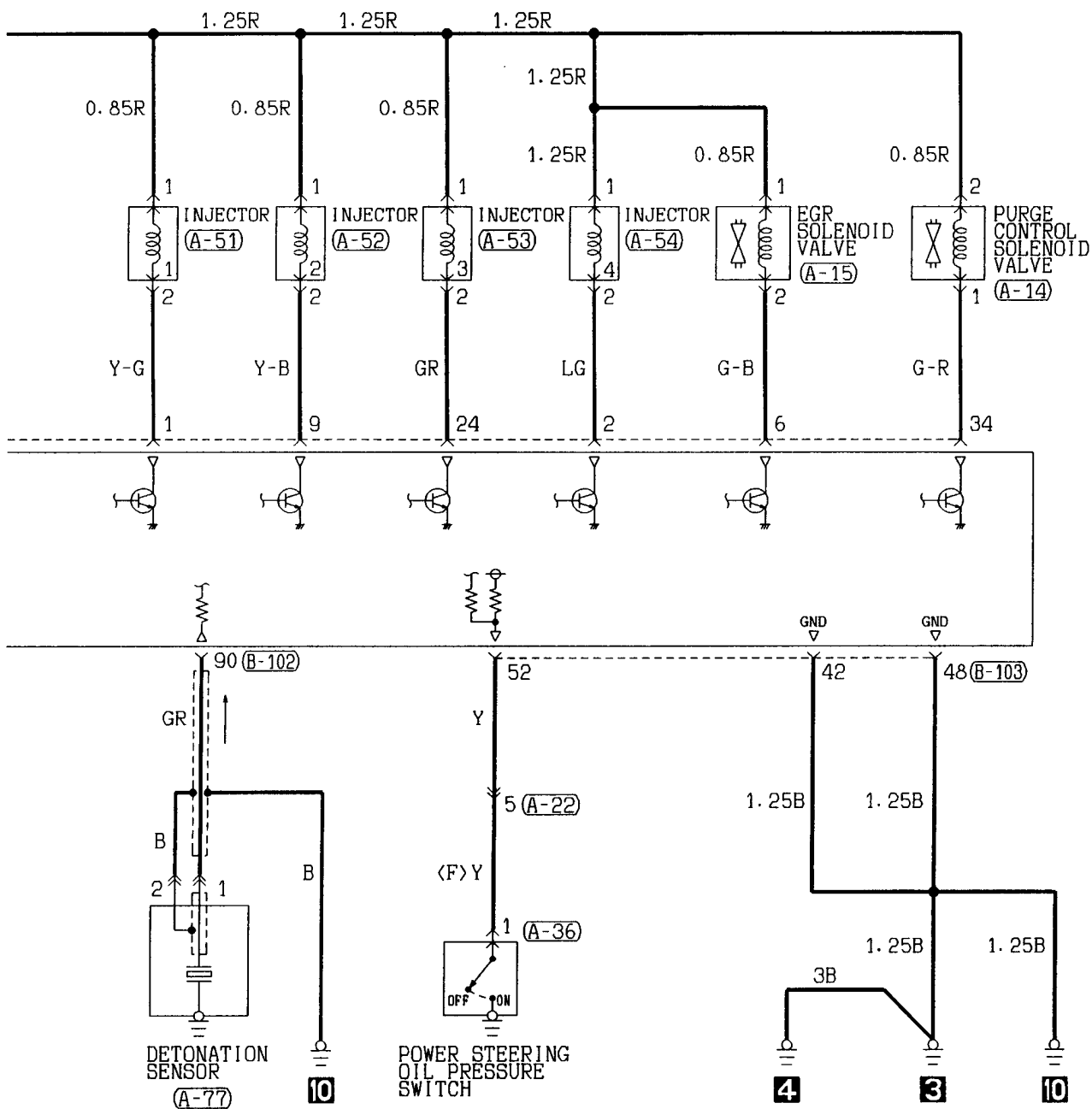
MPI-SOHC-A/T



MPI SYSTEM <MPI-SOHC-A/T> (CONTINUED)



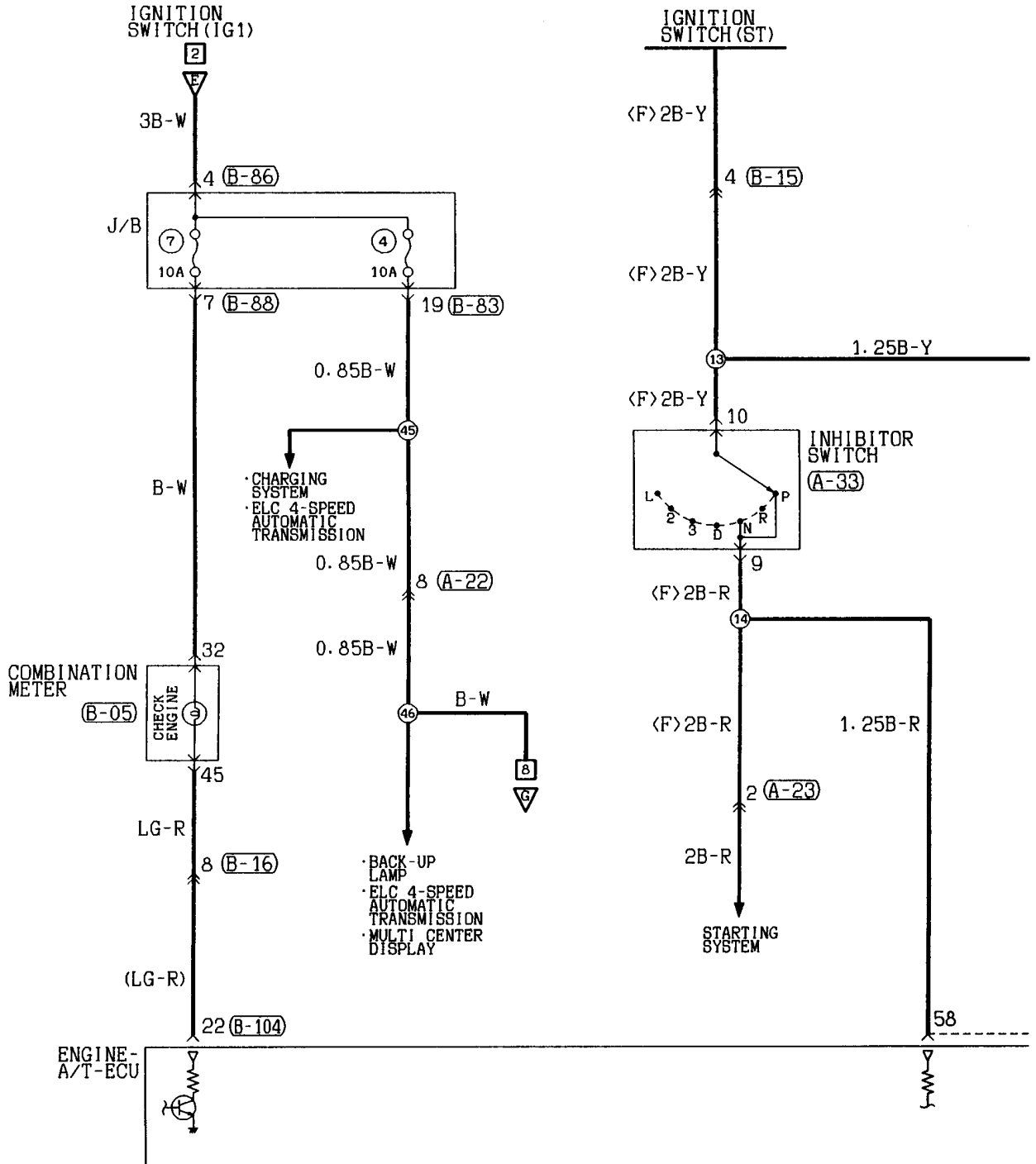
4



Wire colour code
 B: Black LG: Light green G: Green L: Blue W: White Y: Yellow SB: Sky blue
 BR: Brown O: Orange GR: Gray R: Red P: Pink V: Violet

MPI SYSTEM <MPI-SOHC-A/T> (CONTINUED)

5



(A-01)

(A-22)

(A-23)

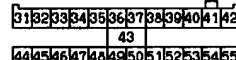
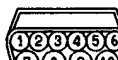
(A-33)

(B-05)

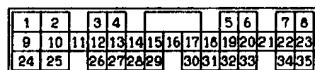
(B-15)

(B-16)

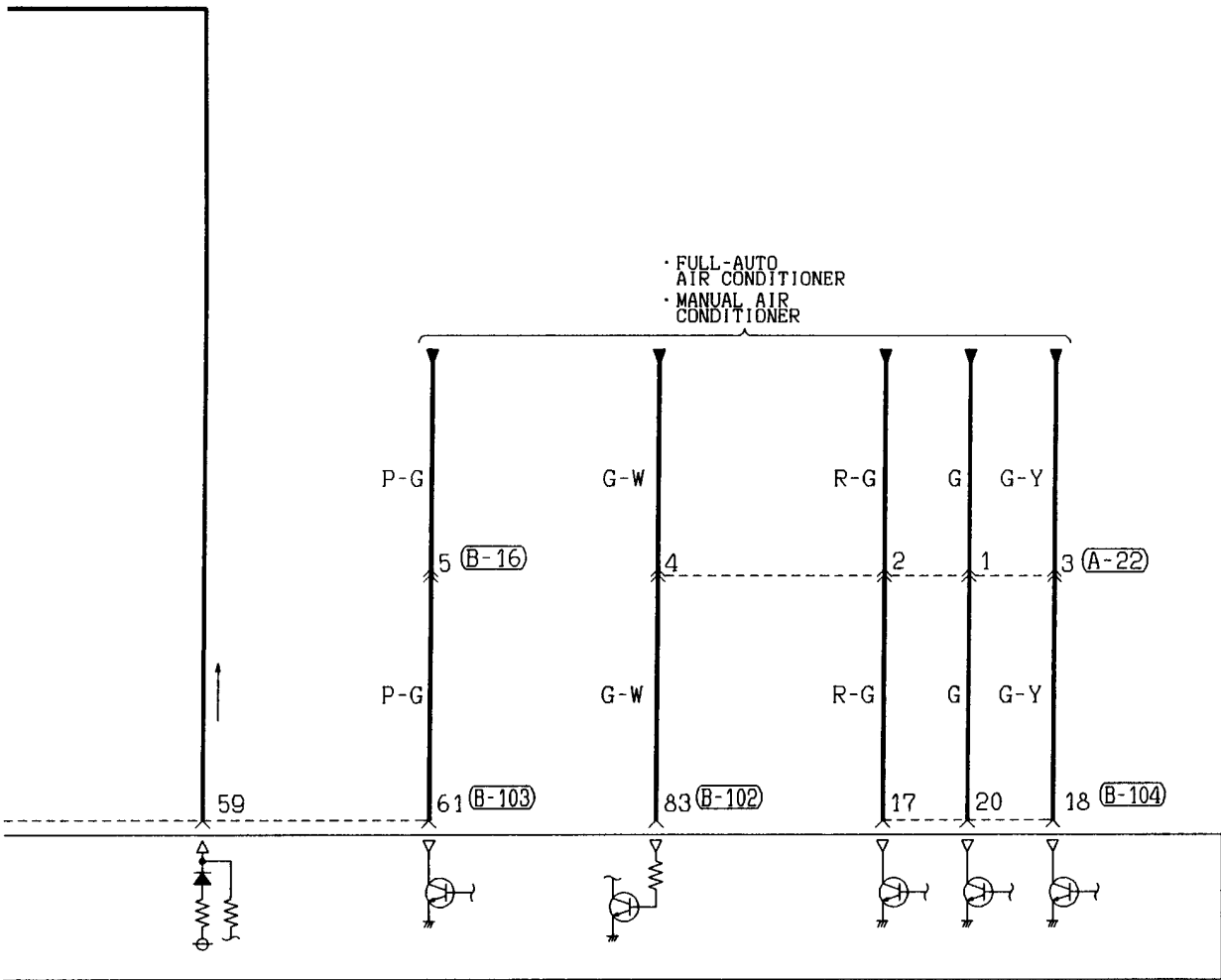
(B-83)



(B-104)



6



(B-86)

1	2	3	4	M	5	6	7	8	
9	10	11	12	13	14	15	16	17	18

(B-88)

1	2	3	4	5	M	6	7	8	9	10	
11	12	13	14	15	16	17	18	19	20	21	22

(B-102)

71	72	73	74			75	76	77			
78	79	80	81	82	83	84	85	86	87	88	89
90	91	92	93	94	95	96	97	98			

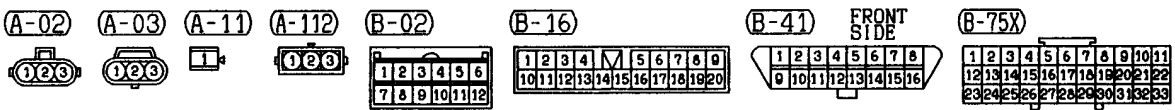
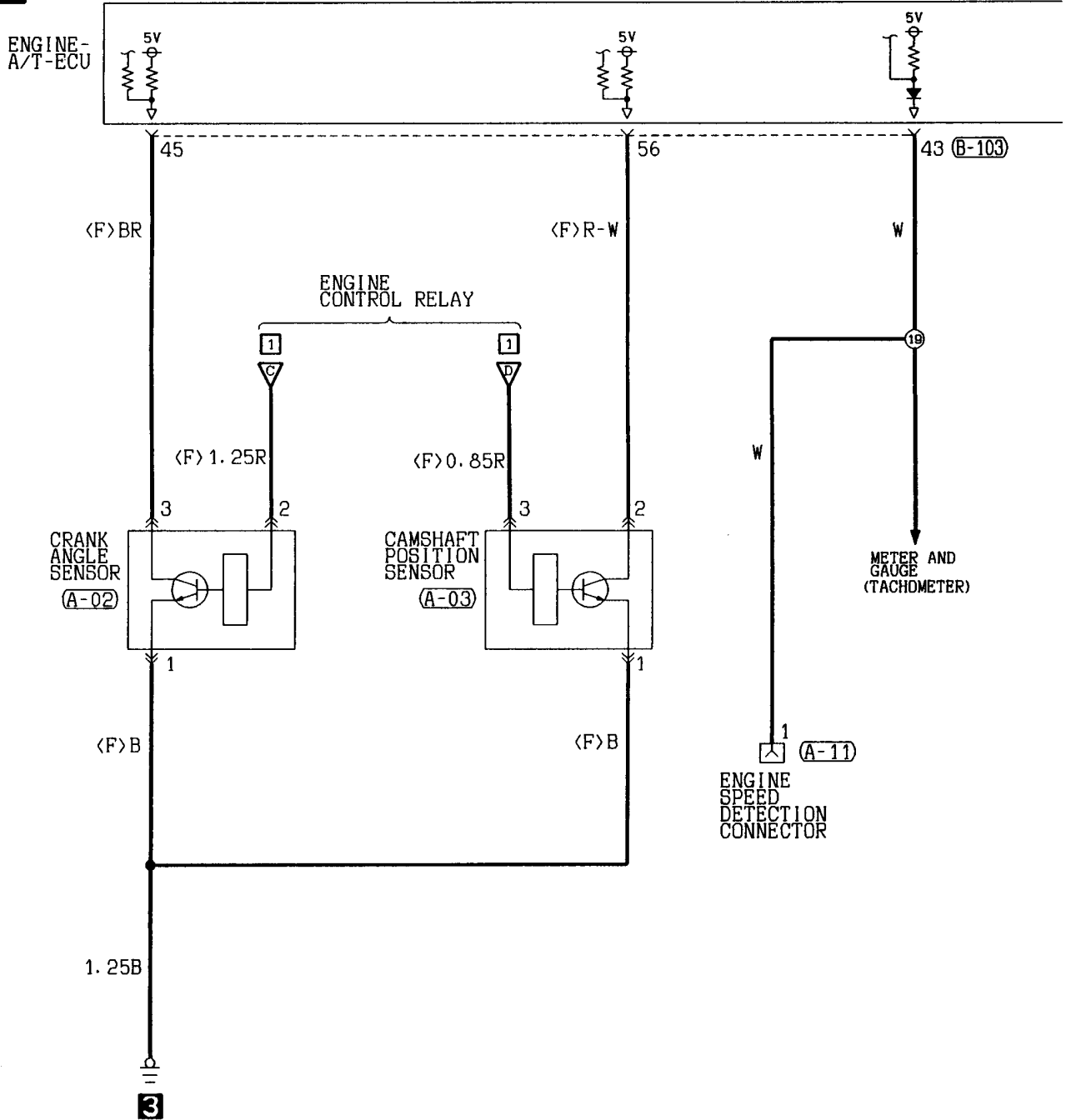
(B-103)

41	42	43			44	45	46			
47	48	49	50	51	52	53	54	55	56	57
58	59	60	61	62	63	64	65	66		

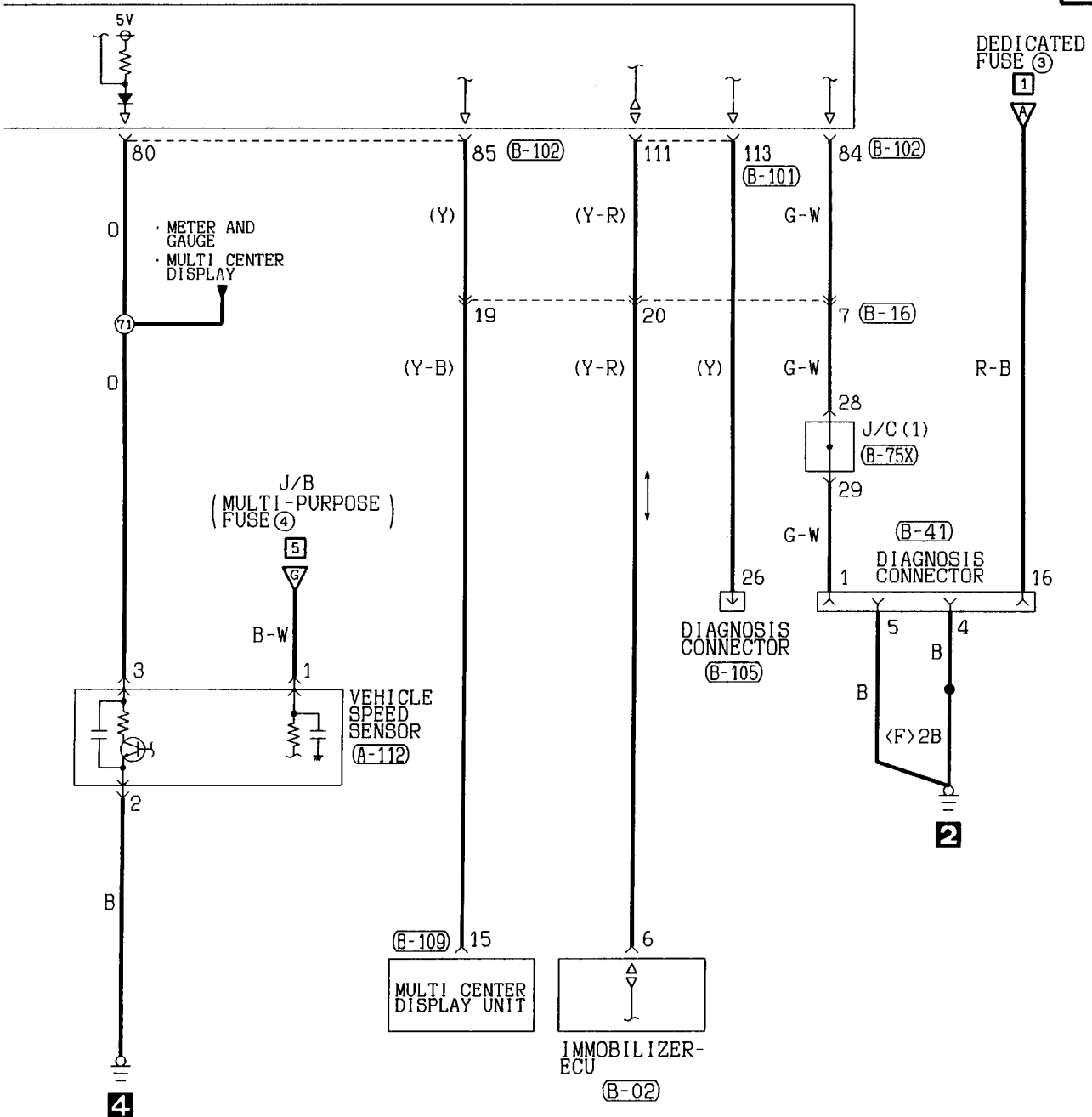
Wire colour code
 B:Black LG:Light green G:Green L:Blue W:White Y:Yellow SB:Sky blue
 BR:Brown O:Orange GR:Gray R:Red P:Pink V:Violet

MPI SYSTEM <MPI-SOHC-A/T> (CONTINUED)

7



8



(B-101)

101	102	103	104	105	106	107
108	109	110	111	112	113	114
115	116	117	118	119	120	121
122	123	124	125	126	127	128
129	130					

(B-102)

71	72	73	74	75	76	77
78	79	80	81	82	83	84
85	86	87	88	89		
90	91	92	93	94	95	96
97	98					

(B-103)

41	42	43	44	45	46	47
48	49	50	51	52	53	54
55	56	57	58	59		
60	61	62	63	64	65	66
67	68					

(B-105) FRONT SIDE

25	24	23	22	21
32	31	30	29	28
27	26			

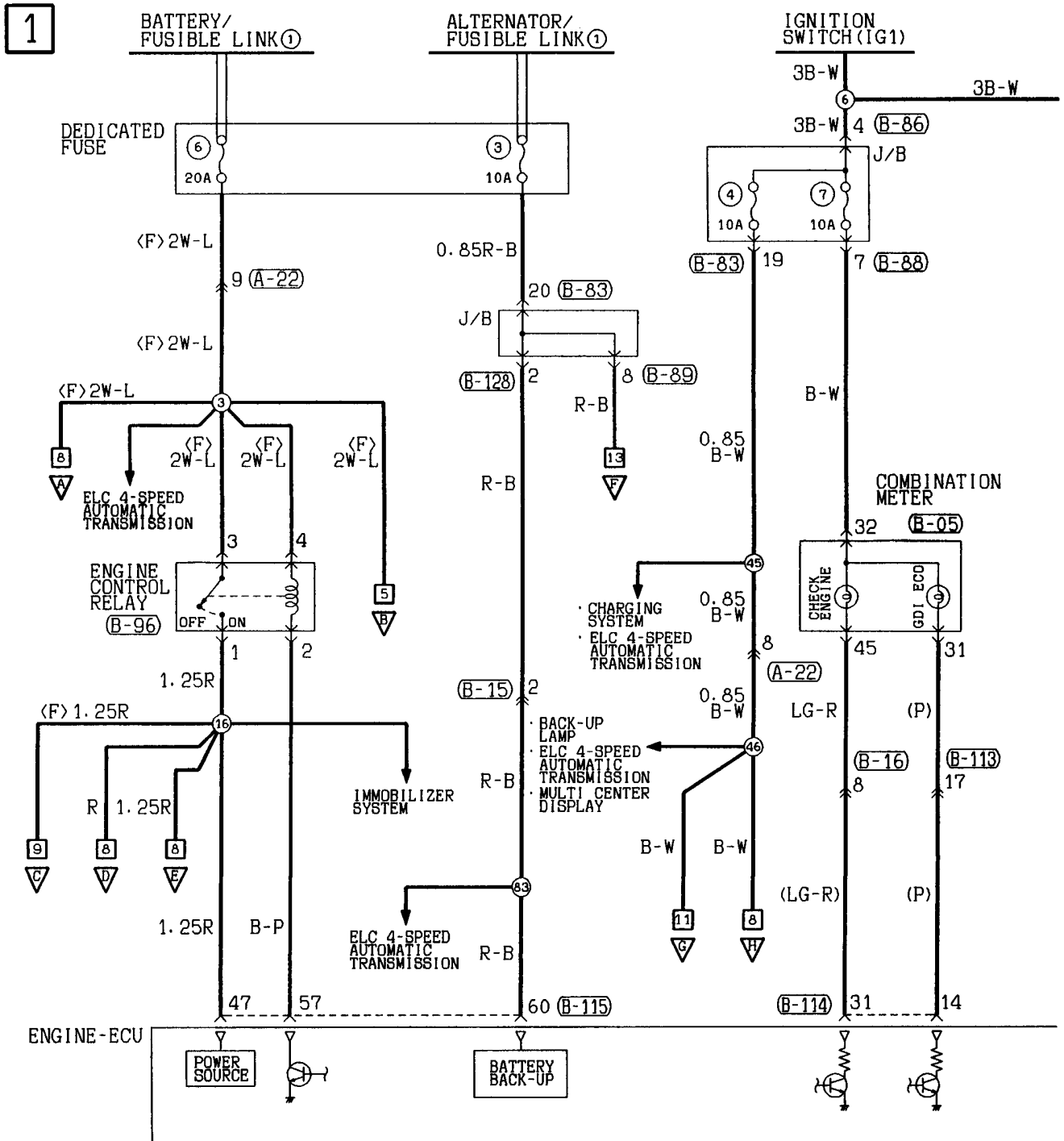
(B-109)

1	2	3	4	5	6	7	8	9	10
11	12	13	14	15	16	17	18	19	20

Wire colour code

B : Black LG : Light green G : Green L : Blue W : White Y : Yellow SB : Sky blue
 BR : Brown O : Orange GR : Gray R : Red P : Pink V : Violet

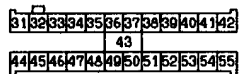
GDI SYSTEM



A-22



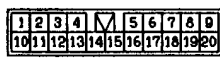
B-05



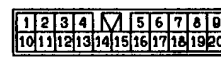
B-15



B-16



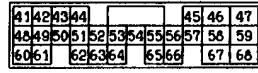
B-83



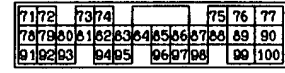
B-86



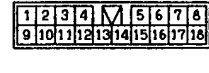
B-115



B-116



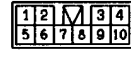
B-128



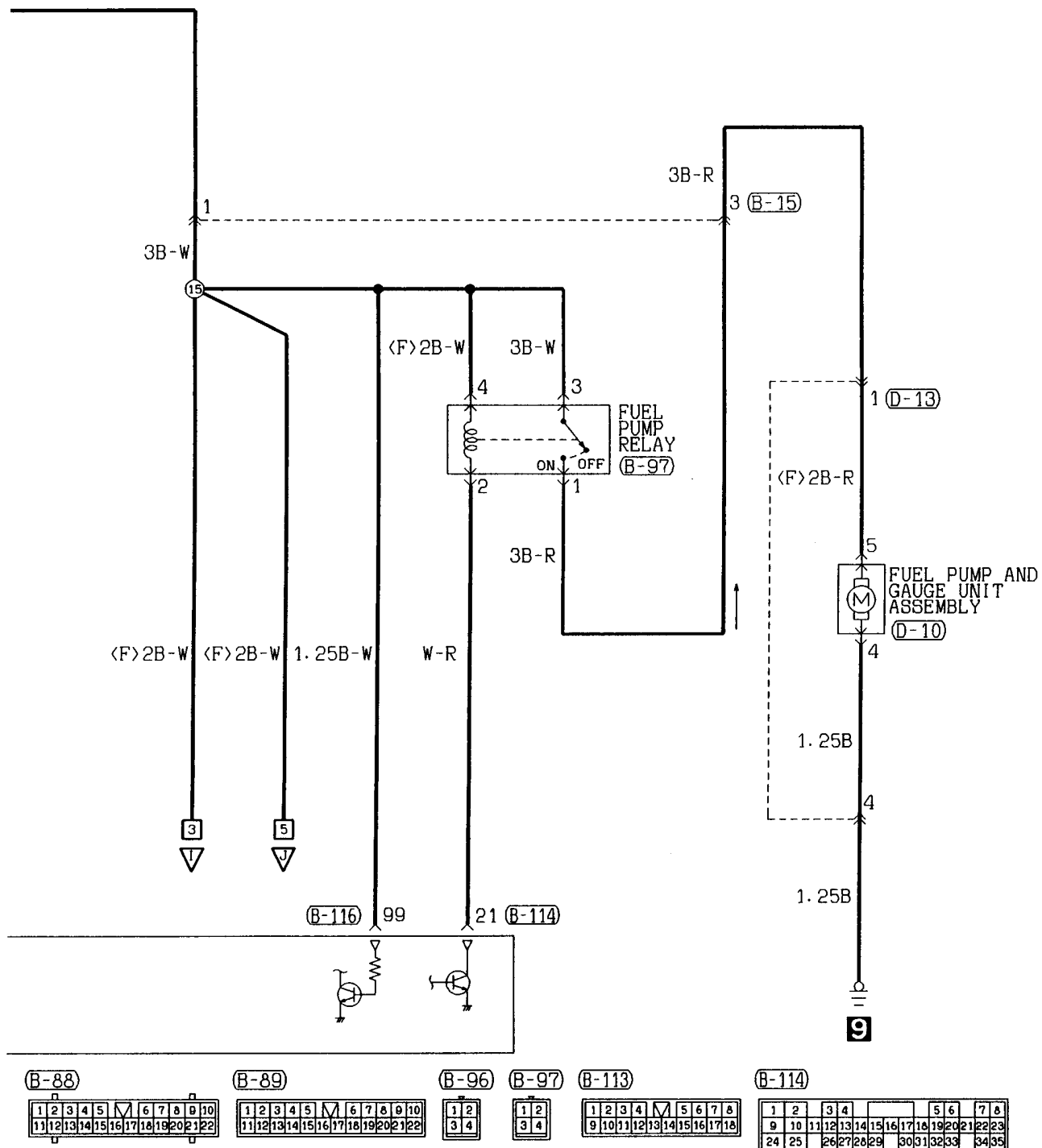
D-10



D-13



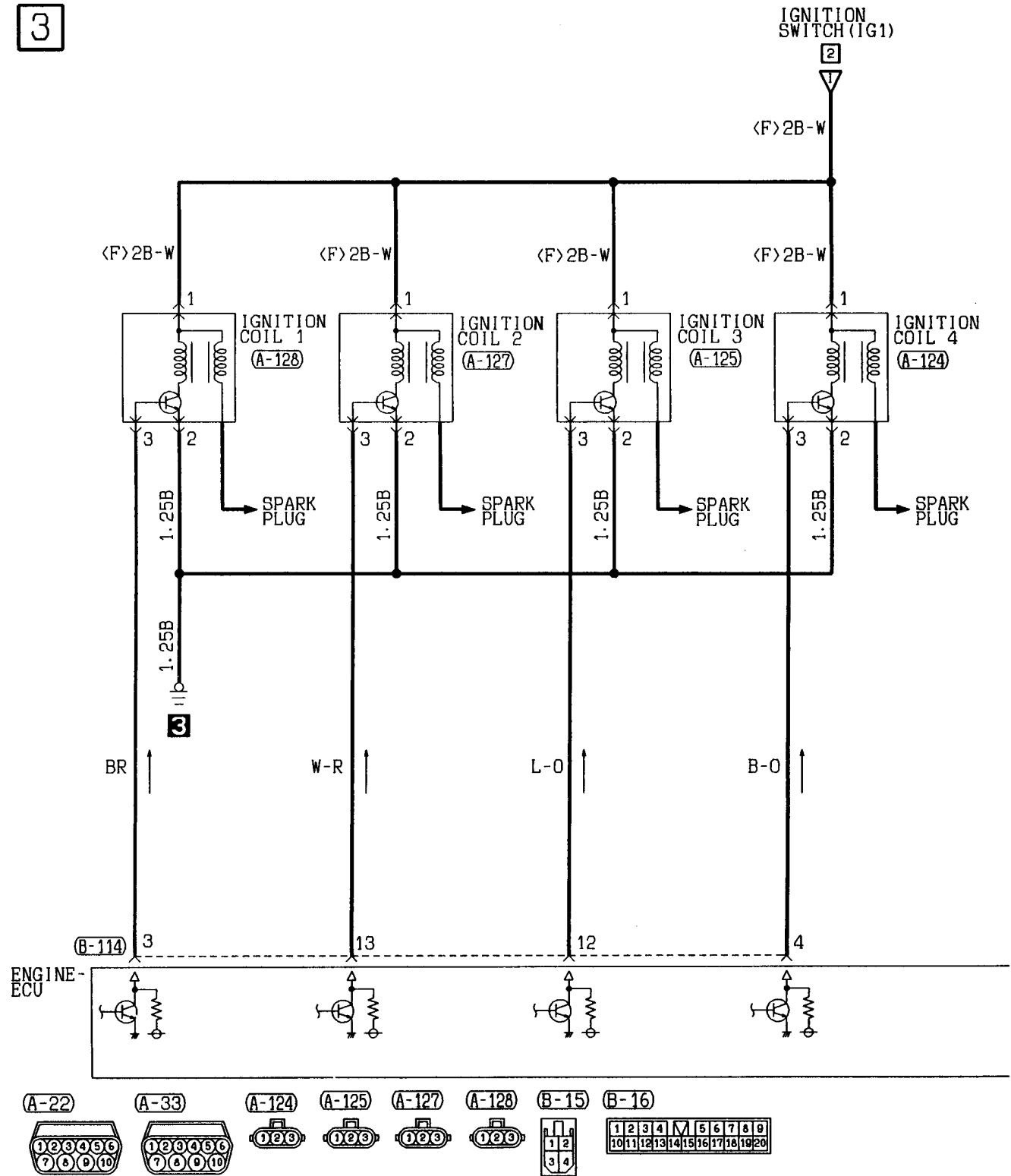
2



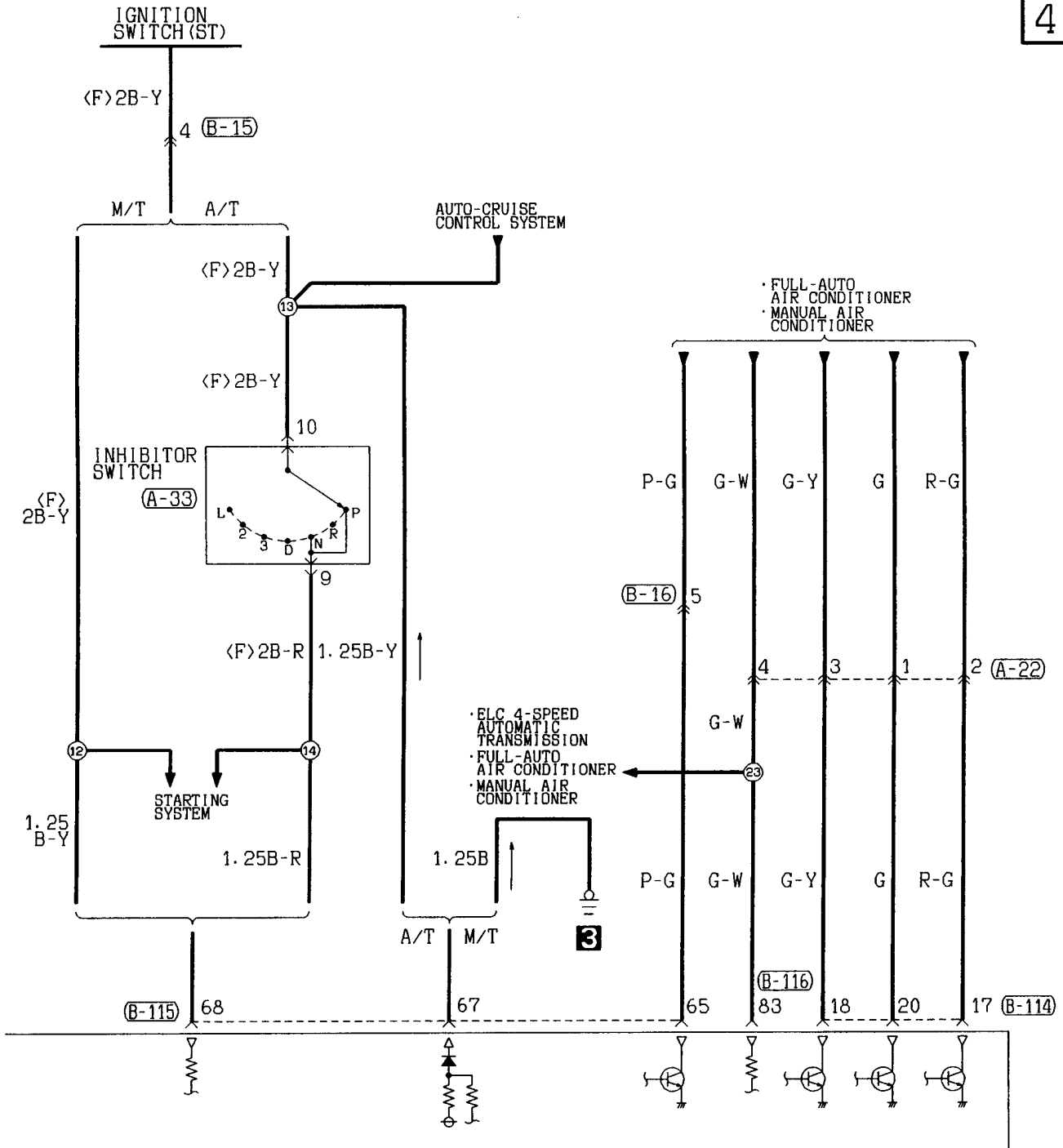
Wire colour code
 B : Black LG:Light green G :Green L :Blue W :White Y :Yellow SB:Sky blue
 BR:Brown O :Orange GR:Gray R :Red P :Pink V :Violet

GDI SYSTEM (CONTINUED)

3



4



(B-114)

1	2	3	4	5	6	7	8
9	10	11	12	13	14	15	16
17	18	19	20	21	22	23	
24	25	26	27	28	29	30	31
32	33	34	35				

(B-115)

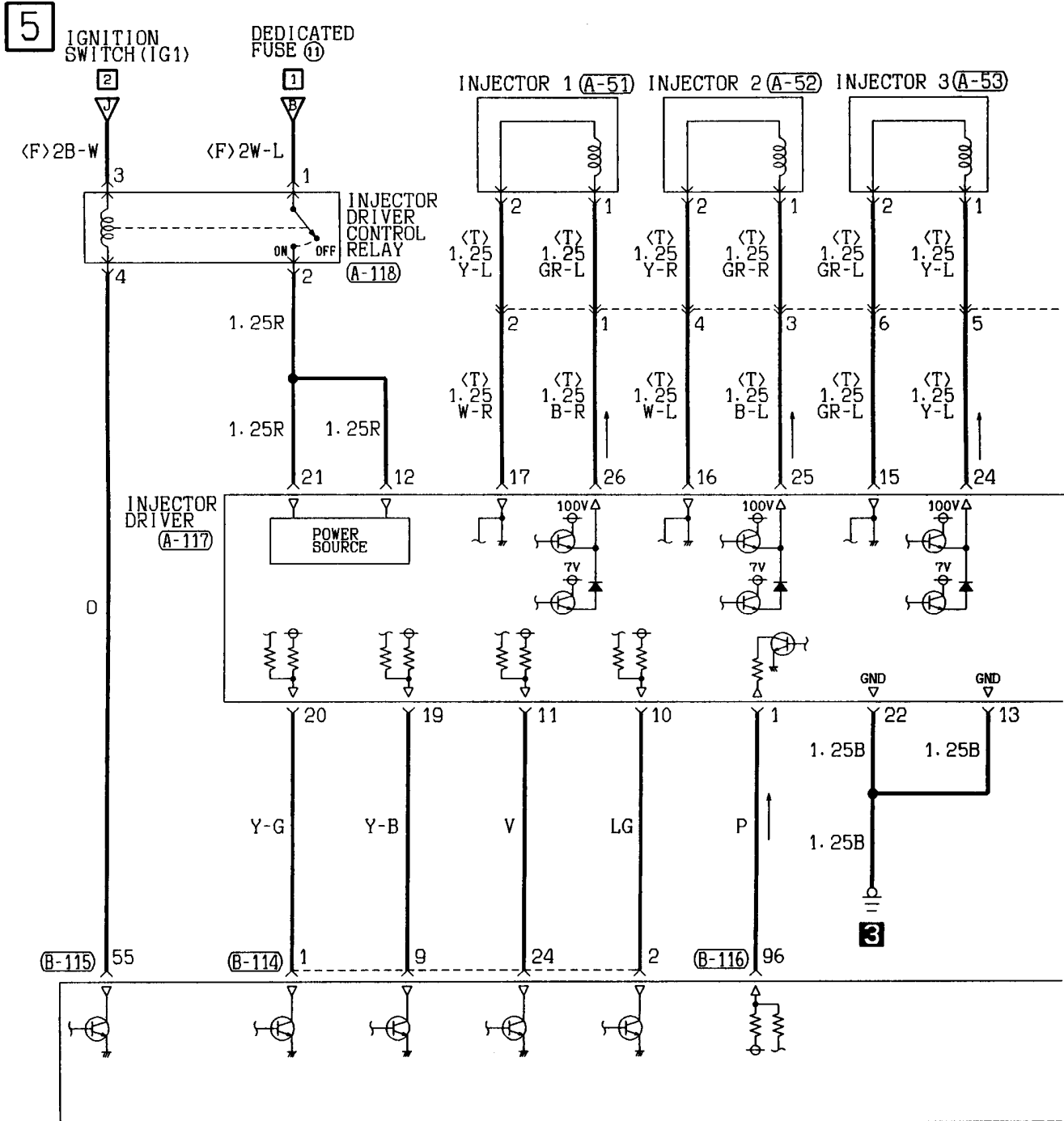
41	42	43	44	45	46	47
48	49	50	51	52	53	54
55	56	57	58	59		
60	61	62	63	64	65	66
67	68					

(B-116)

71	72	73	74	75	76	77
78	79	80	81	82	83	84
85	86	87	88	89	90	
91	92	93	94	95	96	97
98	99	100				

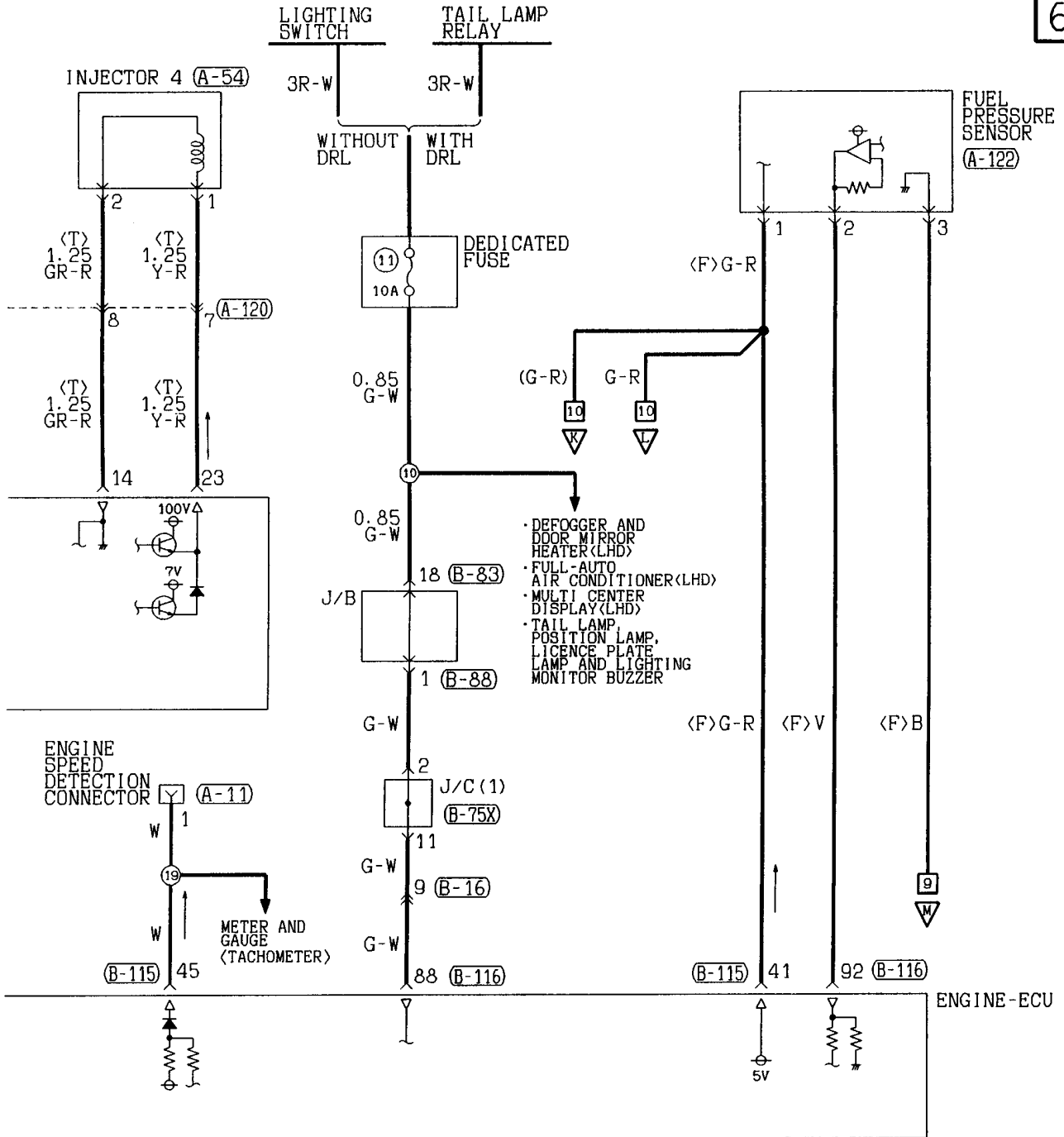
Wire colour code
 B : Black LG : Light green G : Green L : Blue W : White Y : Yellow SB : Sky blue
 BR : Brown O : Orange GR : Gray R : Red P : Pink V : Violet

GDI SYSTEM (CONTINUED)



- (A-11) (A-51) (A-52) (A-53) (A-54) (A-117) (A-118) (A-120) (A-122) (B-16)
- (B-115) (B-116)
- | | | | | | | |
|----|----|----|----|----|----|----|
| 41 | 42 | 43 | 44 | 45 | 46 | 47 |
| 48 | 49 | 50 | 51 | 52 | 53 | 54 |
| 55 | 56 | 57 | 58 | 59 | 60 | 61 |
| 62 | 63 | 64 | 65 | 66 | 67 | 68 |
- | | | | | | | |
|----|-----|----|----|----|----|----|
| 71 | 72 | 73 | 74 | 75 | 76 | 77 |
| 78 | 79 | 80 | 81 | 82 | 83 | 84 |
| 85 | 86 | 87 | 88 | 89 | 90 | 91 |
| 92 | 93 | 94 | 95 | 96 | 97 | 98 |
| 99 | 100 | | | | | |

6



(B-75X)

1	2	3	4	5	6	7	8	9	10	11
12	13	14	15	16	17	18	19	20	21	22
23	24	25	26	27	28	29	30	31	32	33

(B-83)

1	2	3	4	5	6	7	8	9
10	11	12	13	14	15	16	17	18
19	20							

(B-88)

1	2	3	4	5	6	7	8	9	10
11	12	13	14	15	16	17	18	19	20
21	22								

(B-114)

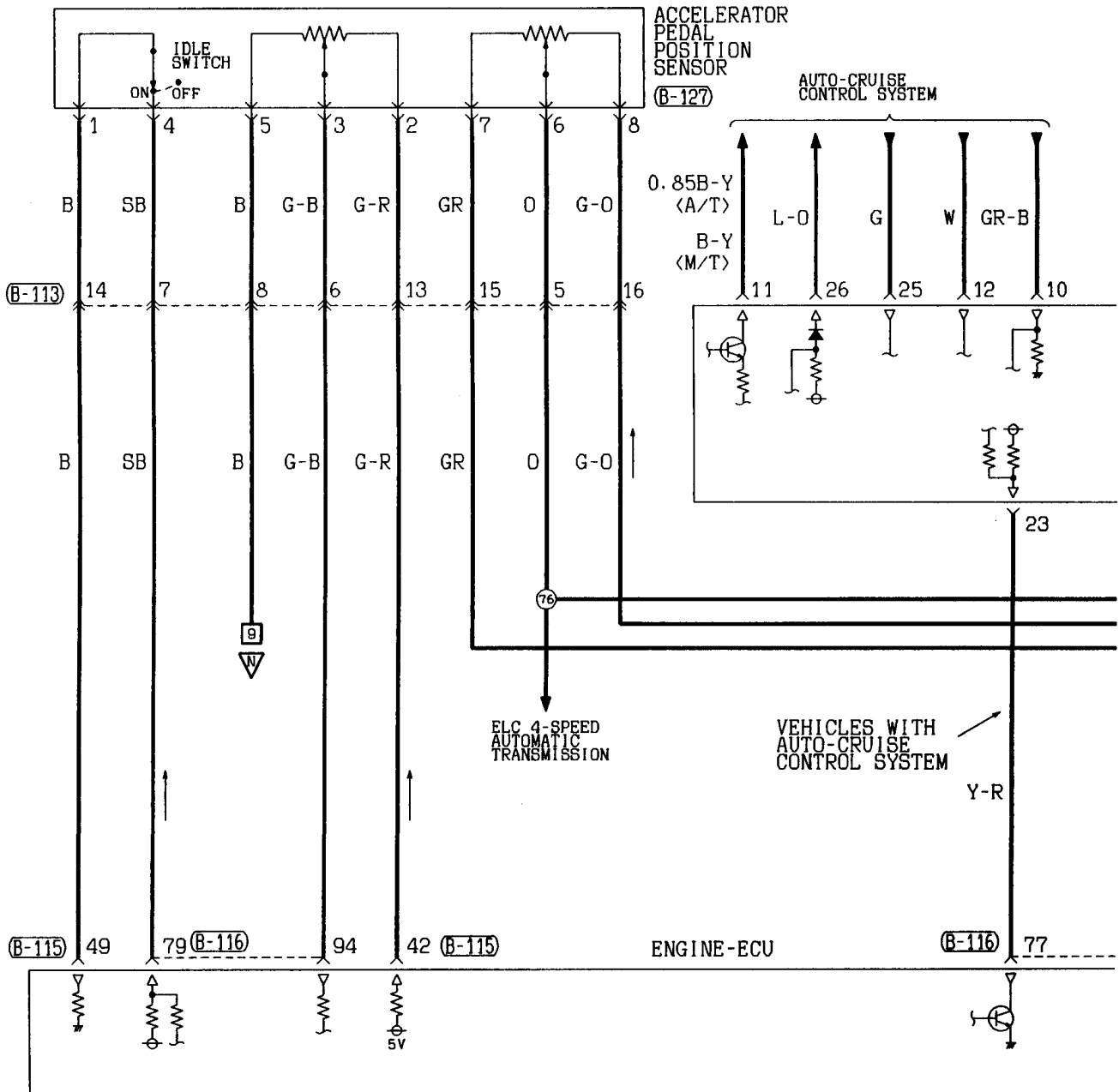
1	2	3	4	5	6	7	8
9	10	11	12	13	14	15	16
17	18	19	20	21	22	23	24
25	26	27	28	29	30	31	32
33	34	35					

Wire colour code

B:Black LG:Light green G:Green L:Blue W:White Y:Yellow SB:Sky blue
 BR:Brown O:Orange GR:Gray R:Red P:Pink V:Violet

GDI SYSTEM (CONTINUED)

7



A-56

1	2	3	4
---	---	---	---

A-129

1	2	3	4
---	---	---	---

B-113

1	2	3	4	5	6	7	8		
9	10	11	12	13	14	15	16	17	18

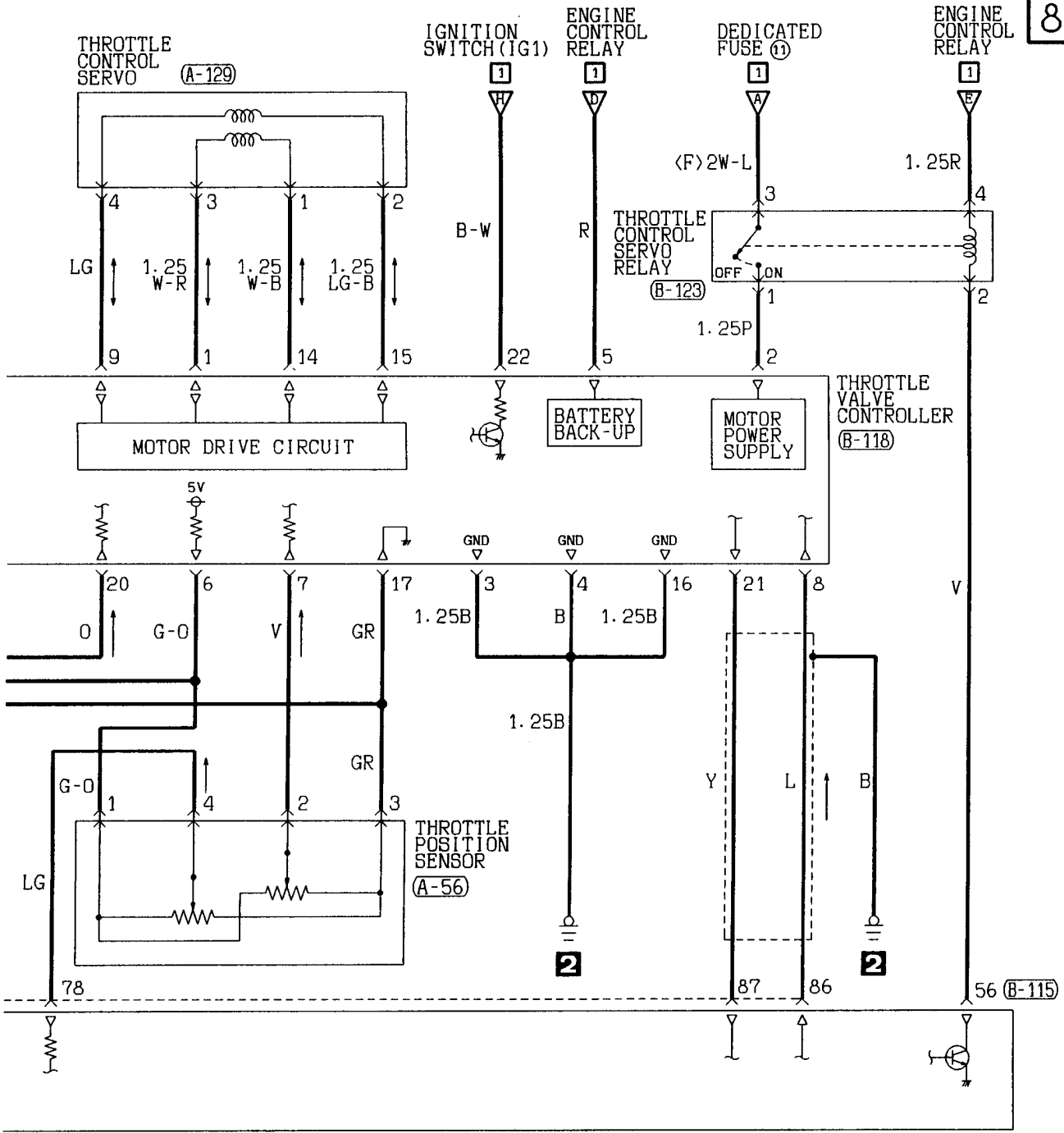
B-115

41	42	43	44	45	46	47					
48	49	50	51	52	53	54	55	56	57	58	59
60	61	62	63	64	65	66	67	68			

B-116

71	72	73	74	75	76	77						
78	79	80	81	82	83	84	85	86	87	88	89	90
91	92	93	94	95	96	97	98	99	100			

8



(B-118)



(B-123)



(B-127)



Wire colour code

B : Black LG: Light green
BR: Brown O : Orange

G : Green GR: Gray

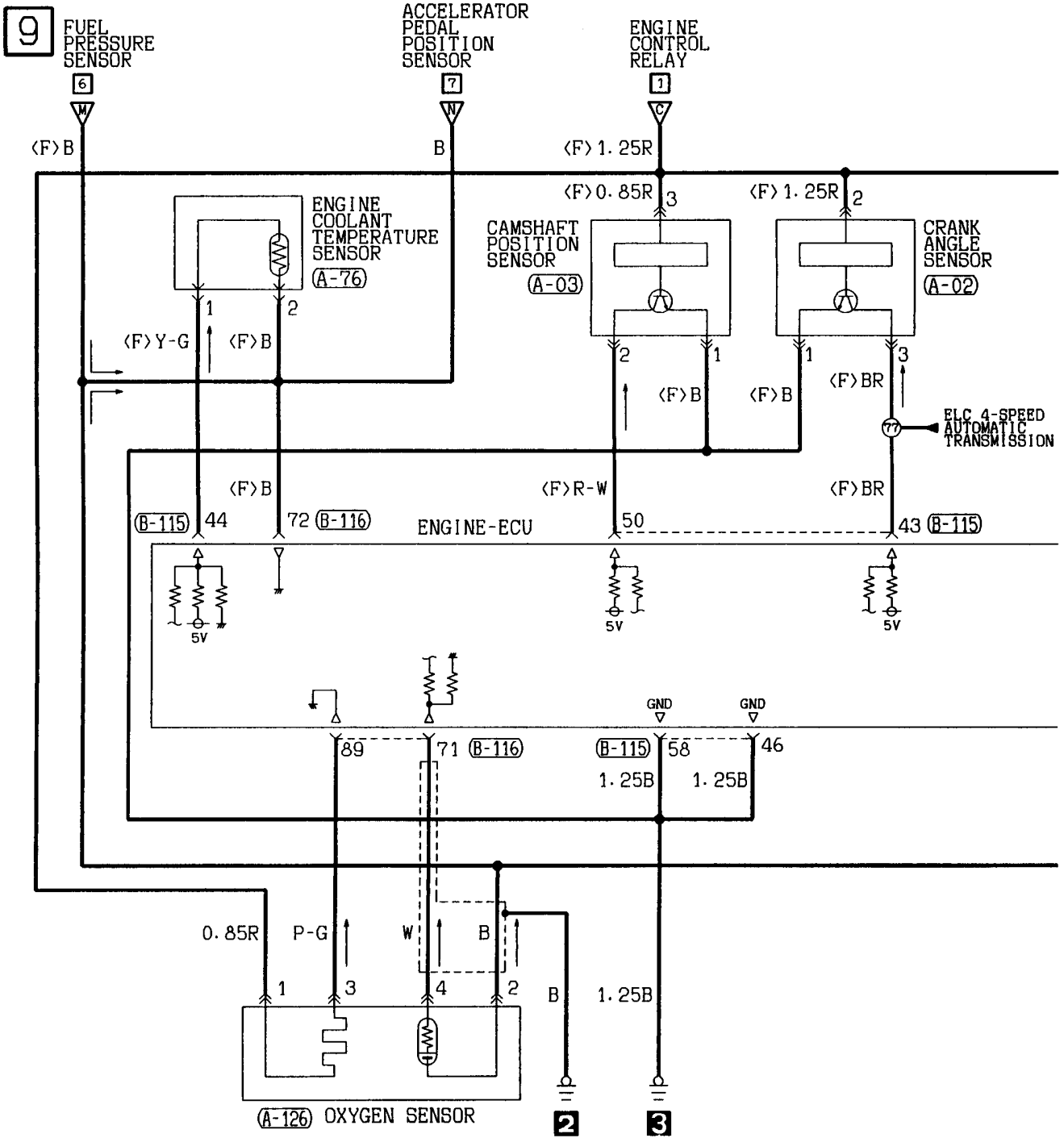
L : Blue R : Red

W : White P : Pink

Y : Yellow V : Violet

SB: Sky blue

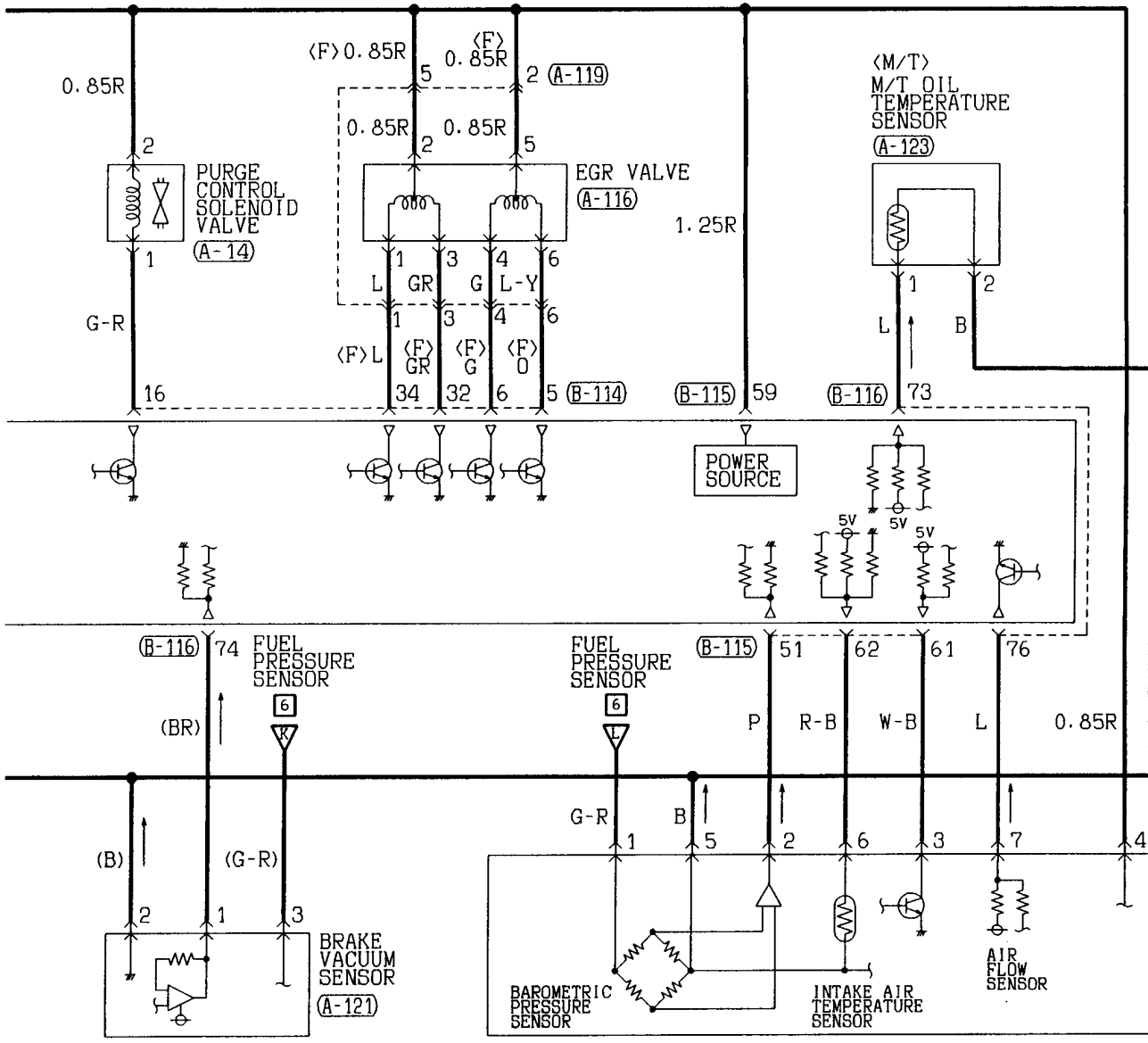
GDI SYSTEM (CONTINUED)



- A-02
- A-03
- A-14
- A-20
- A-76
- A-116
- A-119
- A-121
- A-123
- A-126
- B-114

1	2	3	4		5	6	7	8
9	10	11	12	13	14	15	16	17
18	19	20	21	22	23	24	25	26
27	28	29	30	31	32	33	34	35

10



(B-115)

(B-116)

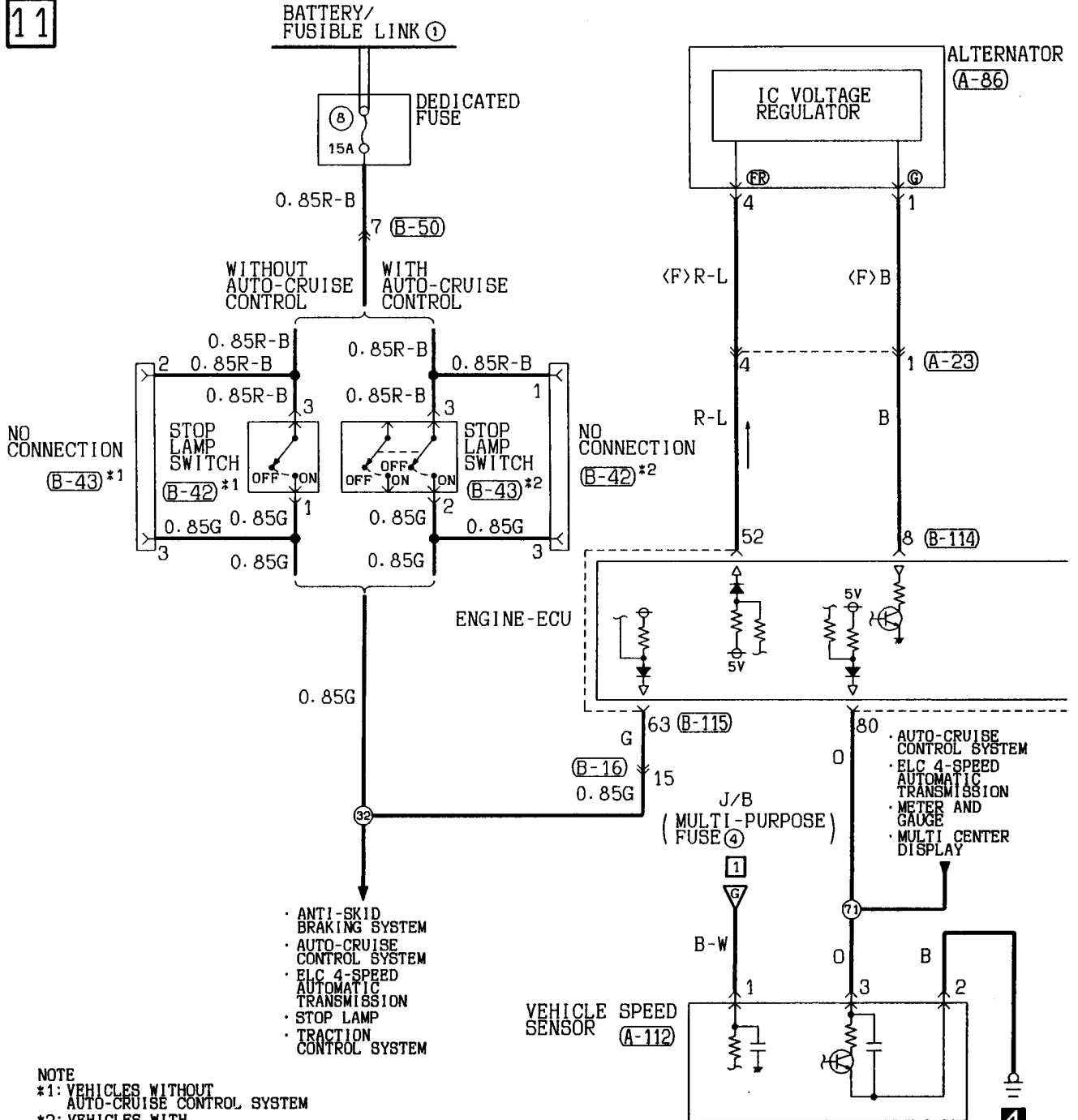
41	42	43	44	45	46	47
48	49	50	51	52	53	54
55	56	57	58	59		
60	61	62	63	64	65	66
67	68					

71	72	73	74	75	76	77
78	79	80	81	82	83	84
85	86	87	88	89	90	
91	92	93	94	95	96	97
98	99	100				

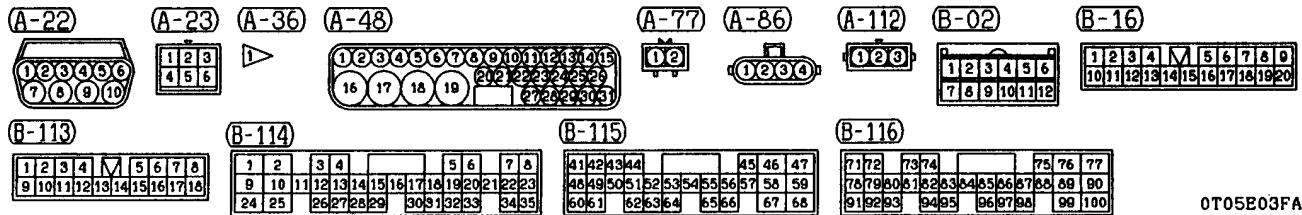
Wire colour code
 B : Black LG : Light green G : Green L : Blue W : White Y : Yellow SB : Sky blue
 BR : Brown O : Orange GR : Gray R : Red P : Pink V : Violet

GDI SYSTEM (CONTINUED)

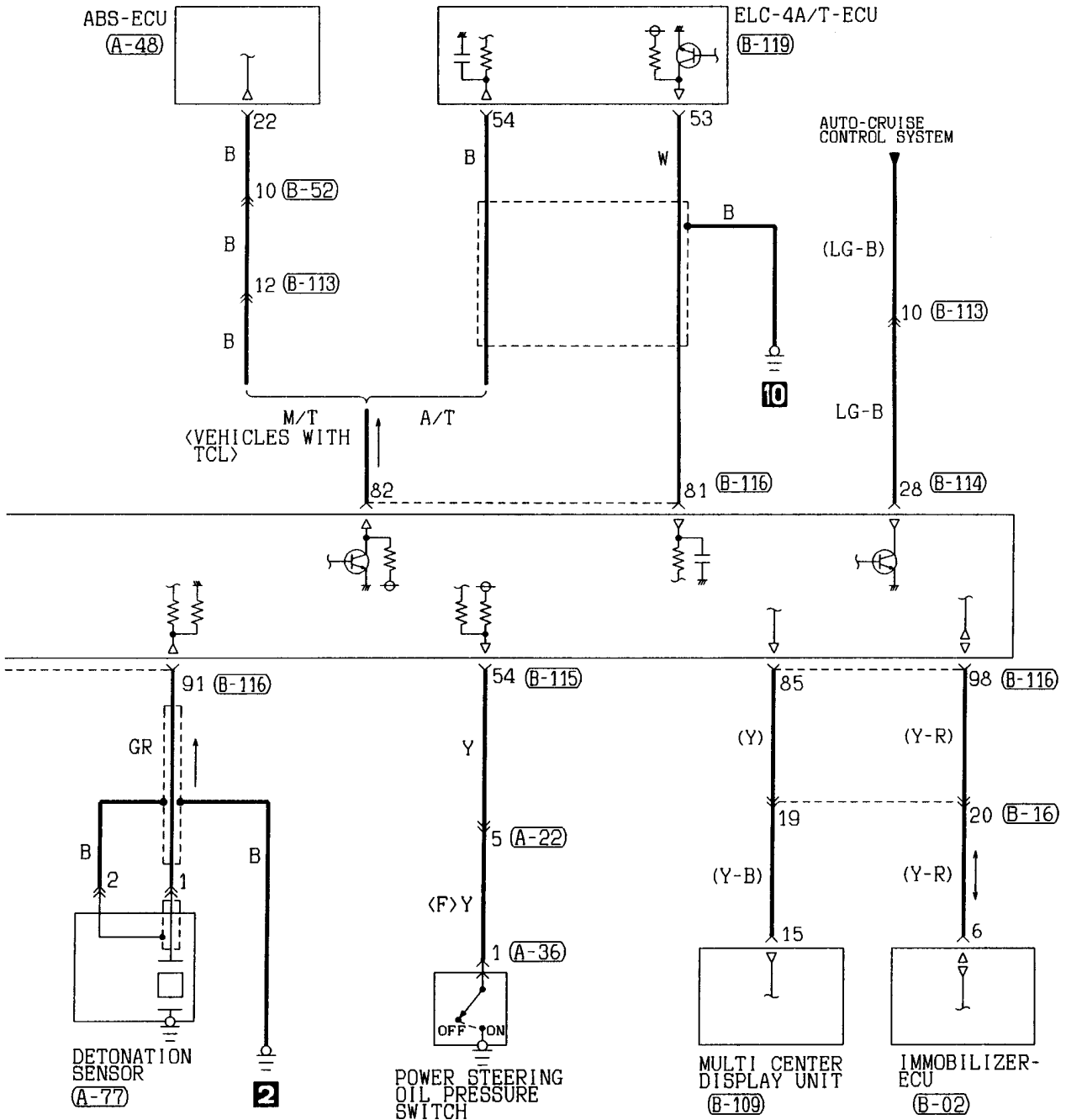
11



NOTE
 *1: VEHICLES WITHOUT AUTO-CRUISE CONTROL SYSTEM
 *2: VEHICLES WITH AUTO-CRUISE CONTROL SYSTEM



12



(B-42) *1

1	2	3
---	---	---

*2

1	2	3
---	---	---

(B-43) *1

1	2	3	4
---	---	---	---

*2

1	2	3	4
---	---	---	---

(B-50)

1	2	3	4	5	6	7	8	9	10		
11	12	13	14	15	16	17	18	19	20	21	22

(B-52)

1	2	3	4	5	6	7	8		
9	10	11	12	13	14	15	16	17	18

(B-109)

1	2	3	4	5	6	7	8	9	10
11	12	13	14	15	16	17	18	19	20

(B-119)

51	52	53	54	55	56	57	58	59	60	61
62	63	64	65	66	67	68	69	70	71	72

Wire colour code

B : Black LG : Light green G : Green L : Blue

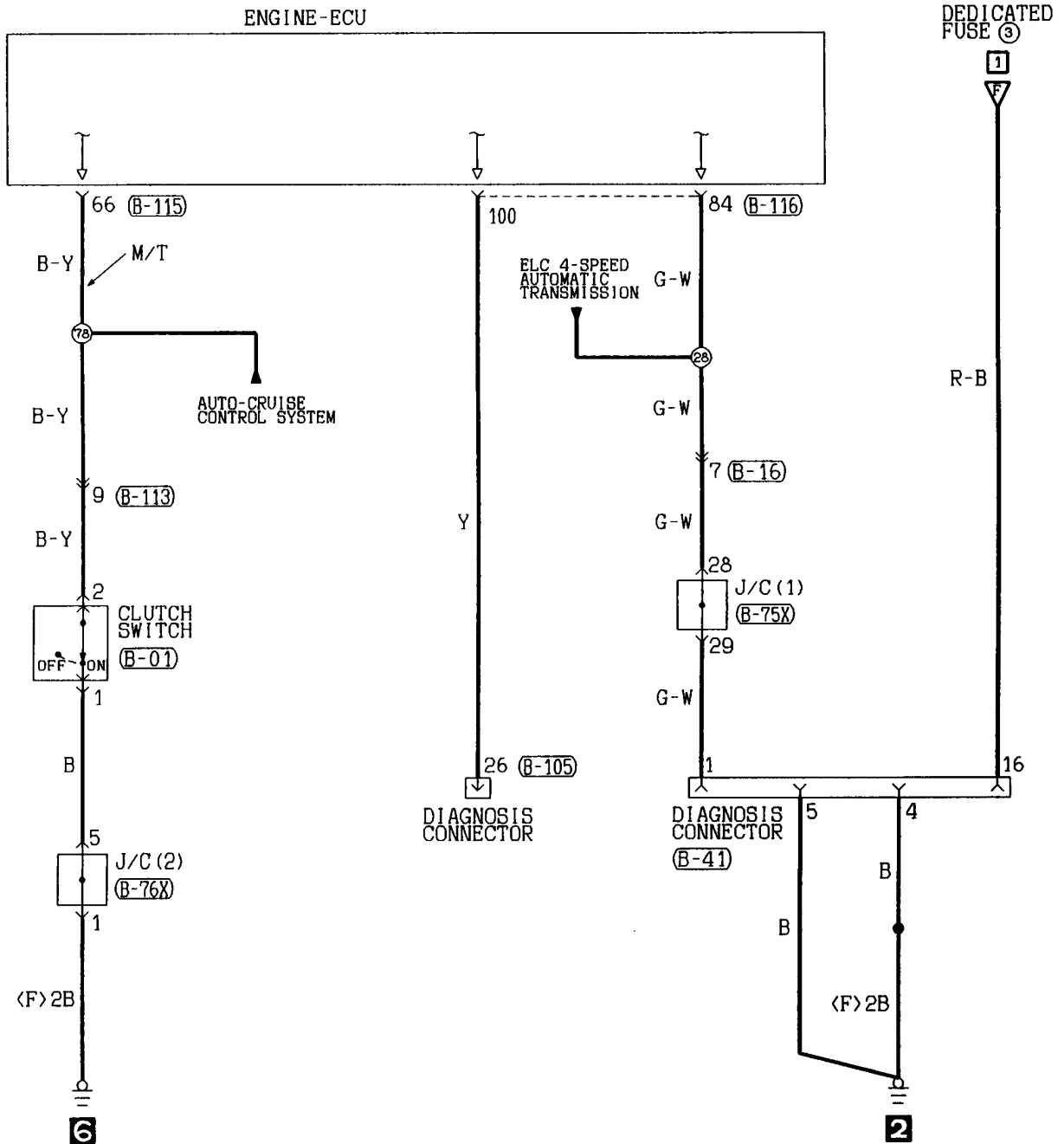
BR : Brown O : Orange GR : Gray R : Red

W : White SB : Sky blue P : Pink Y : Yellow

V : Violet

GDI SYSTEM (CONTINUED)

13



(B-01)

1
2

(B-16)

1	2	3	4	5	6	7	8	9		
10	11	12	13	14	15	16	17	18	19	20

(B-41) FRONT SIDE

1	2	3	4	5	6	7	8
9	10	11	12	13	14	15	16

(B-75X)

1	2	3	4	5	6	7	8	9	10	11
12	13	14	15	16	17	18	19	20	21	22
23	24	25	26	27	28	29	30	31	32	33

(B-76X)

1	2	3	4	5	6	7	8	9	10	11
12	13	14	15	16	17	18	19	20	21	22
23	24	25	26	27	28	29	30	31	32	33

(B-105) FRONT SIDE

23	24	25	26	27	28	29
30	31	32	33	34	35	36

(B-113)

1	2	3	4	5	6	7	8		
9	10	11	12	13	14	15	16	17	18

(B-115)

41	42	43	44	45	46	47					
48	49	50	51	52	53	54	55	56	57	58	59
60	61	62	63	64	65	66	67	68			

(B-116)

71	72	73	74	75	76	77						
78	79	80	81	82	83	84	85	86	87	88	89	90
91	92	93	94	95	96	97	98	99	100			

COOLING SYSTEM <Diesel powered vehicles> (See P. 4-68.)**OPERATION**

- When the engine coolant temperature rises, the radiator thermo switch is switched on.
- Then, the radiator fan relay (LO) is switched on and the radiator fan rotates.

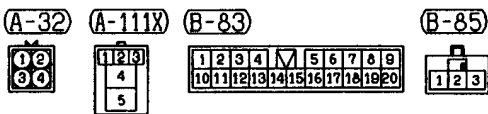
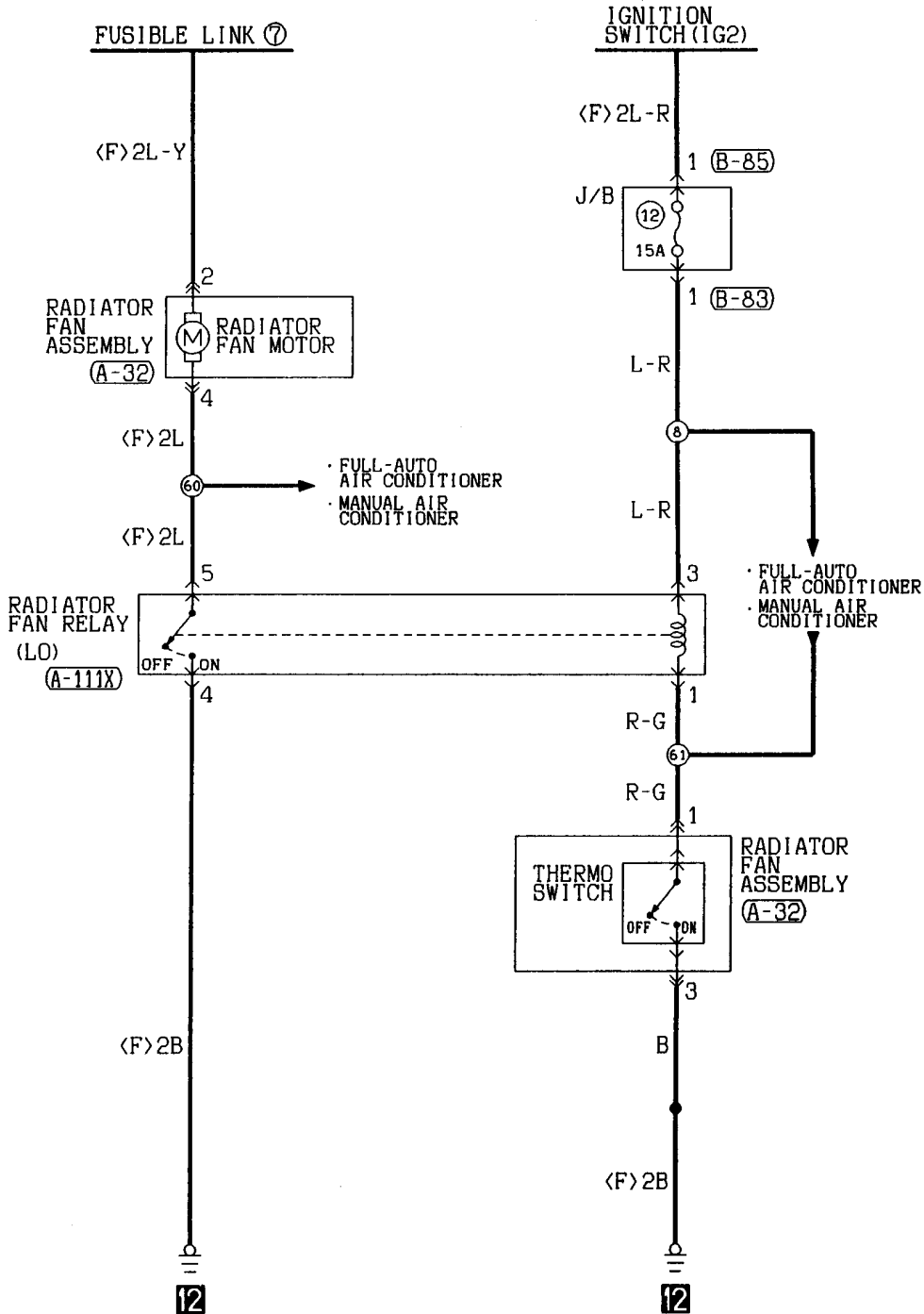
TROUBLESHOOTING HINTS

1. The radiator fan does not operate.
 - 1) When the radiator fan connector is disconnected and the "4" terminal is earthed, the fan rotates.
 - Check multi-purpose fuse No. (12).
 - Check thermo switch.
 - Check radiator fan relay (LO).
 - 2) Even if the "4" terminal is earthed, the fan does not rotate.
 - Check fusible link No. (7).
 - Check radiator fan motor.

COOLING SYSTEM

Diesel-powered vehicles

1

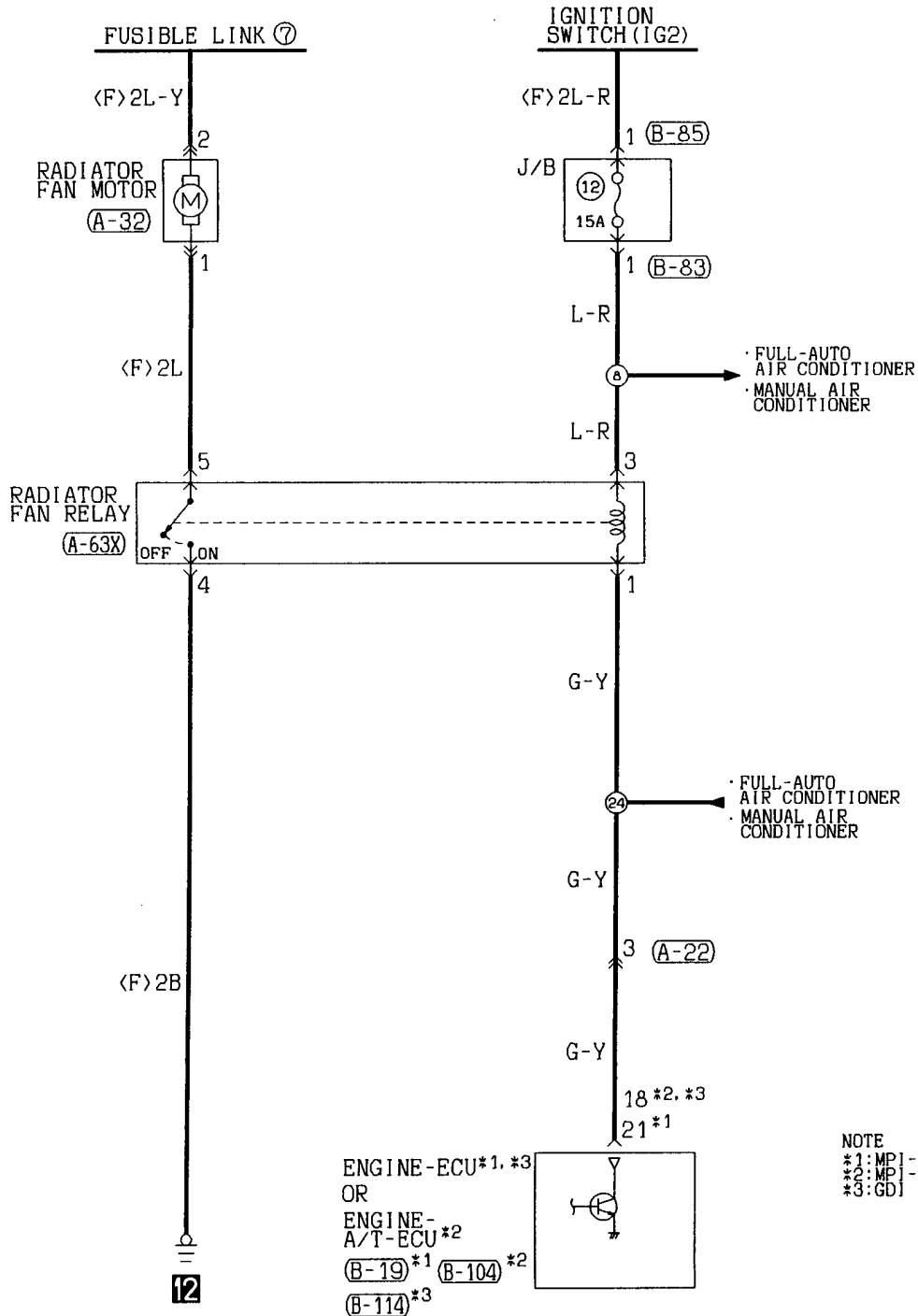


Wire colour code
 B : Black LG : Light green G : Green L : Blue W : White Y : Yellow SB : Sky blue
 BR : Brown O : Orange GR : Gray R : Red P : Pink V : Violet

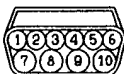
COOLING SYSTEM

Petrol-powered vehicles

1



A-22



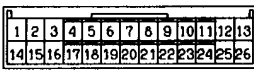
A-32



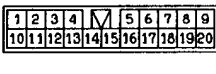
A-63X



B-19



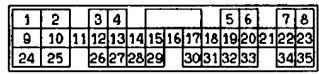
B-83



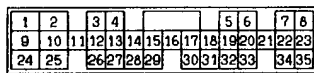
B-85



B-104



B-114



Wire colour code

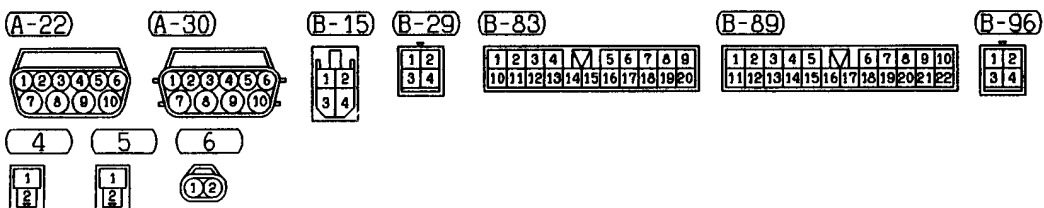
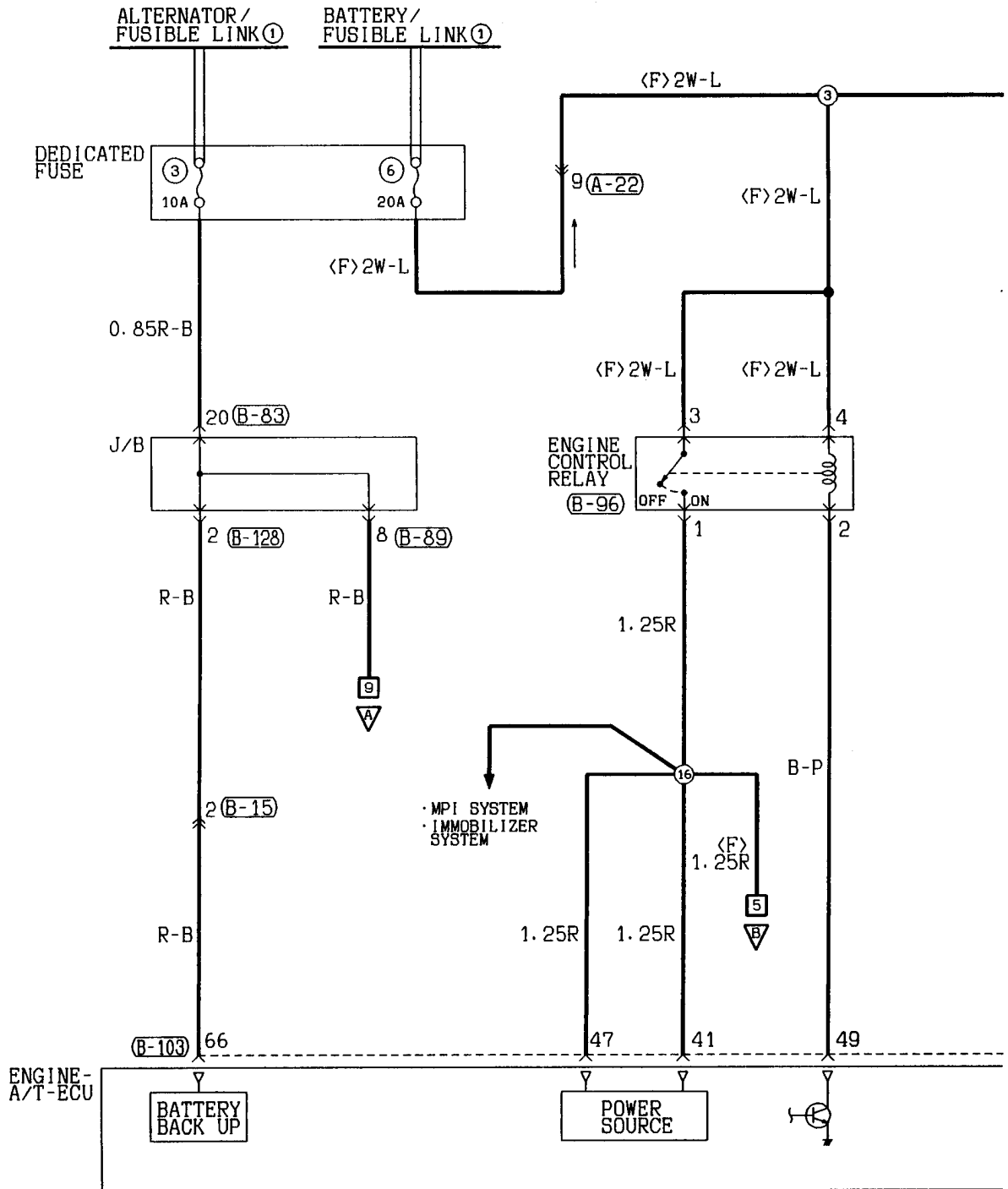
B : Black LG: Light green
BR: Brown O : Orange
W : White SB: Sky blue
V : Violet

G : Green L : Blue
GR: Gray R : Red
P : Pink Y : Yellow

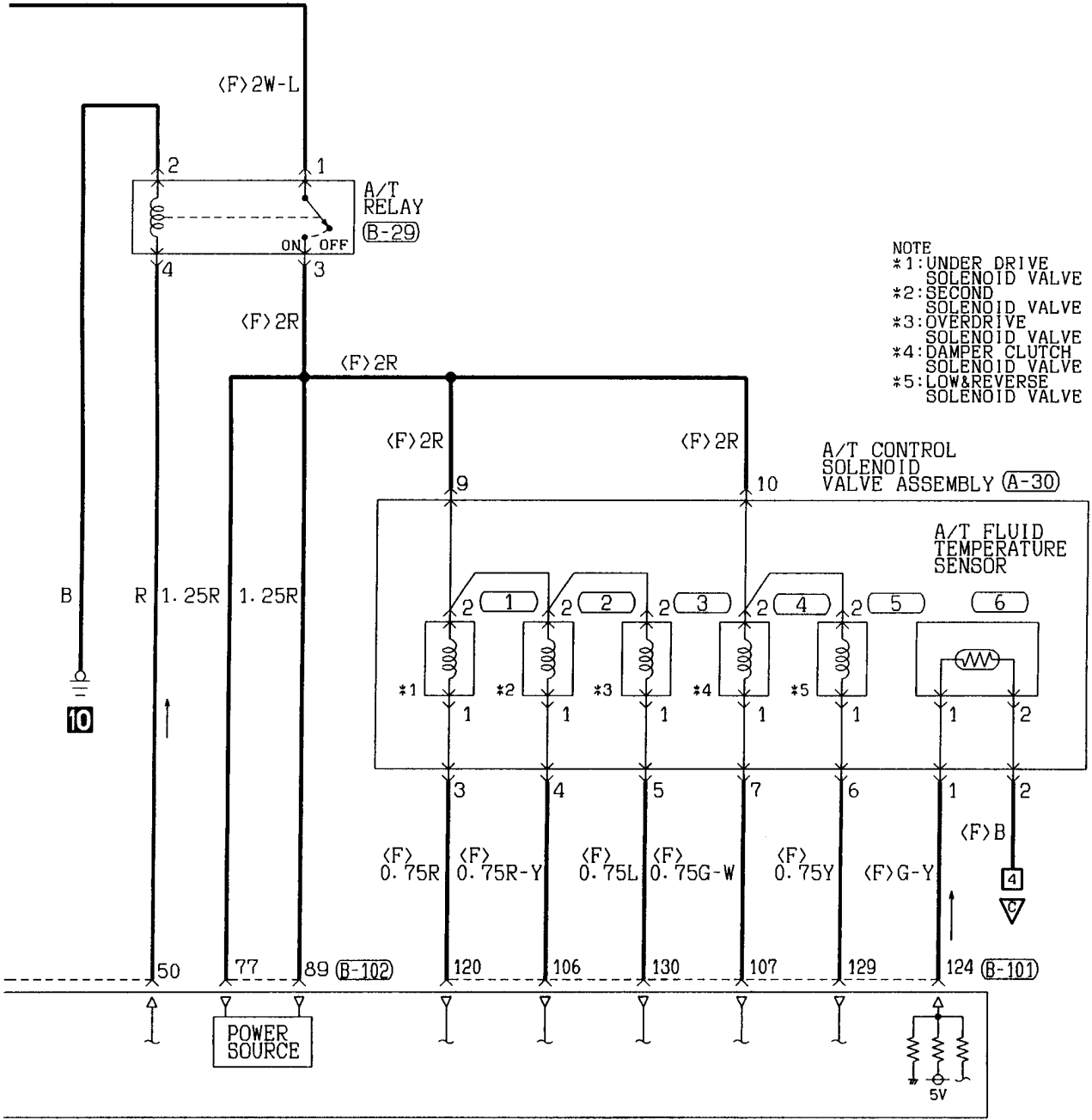
ELC 4-SPEED AUTOMATIC TRANSMISSION

MPI-SOHC

1



2



NOTE
 *1: UNDER DRIVE SOLENOID VALVE
 *2: SECOND SOLENOID VALVE
 *3: OVERDRIVE SOLENOID VALVE
 *4: DAMPER CLUTCH SOLENOID VALVE
 *5: LOW&REVERSE SOLENOID VALVE

A/T CONTROL SOLENOID VALVE ASSEMBLY (A-30)

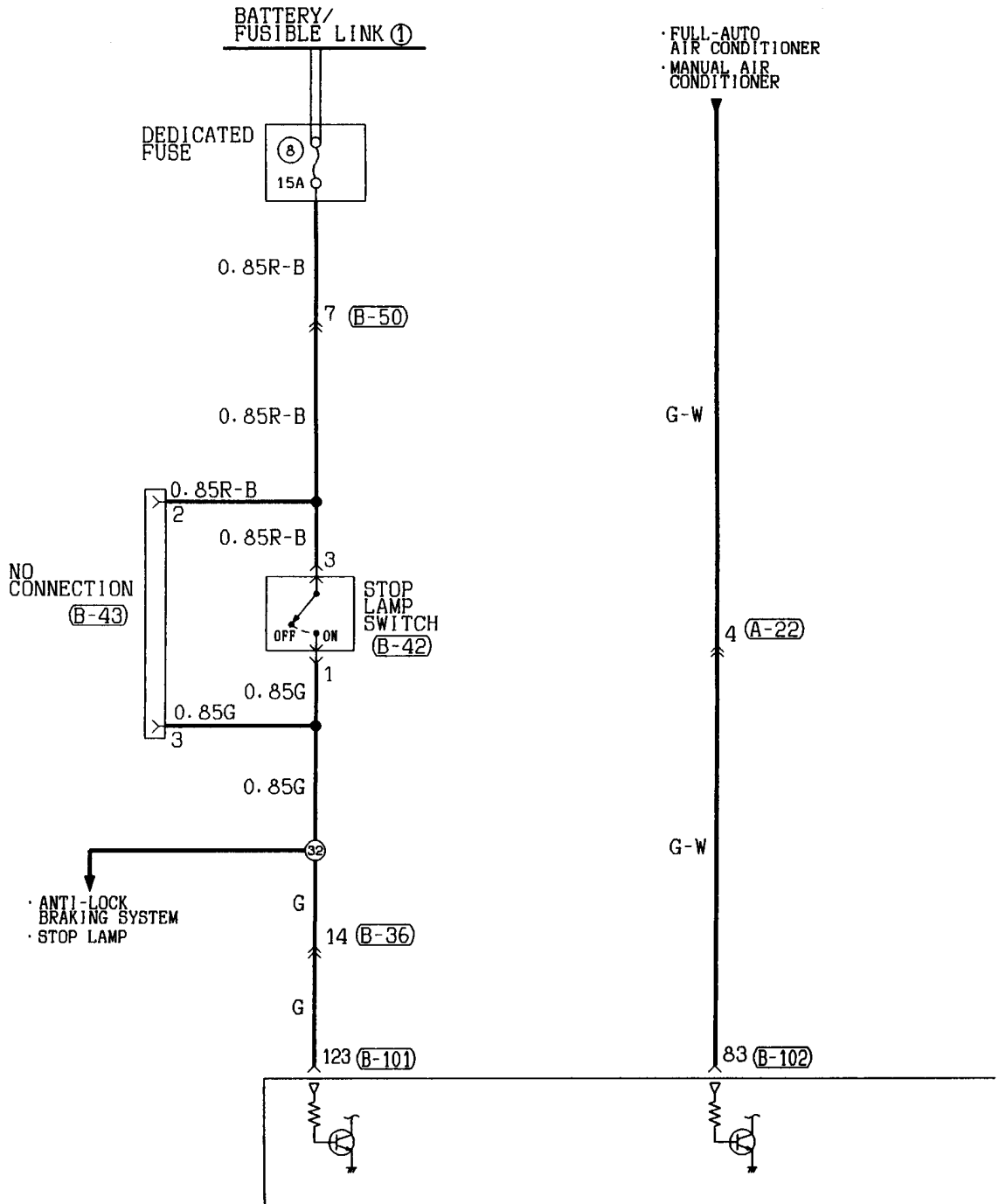
A/T FLUID TEMPERATURE SENSOR

(B-101)	(B-102)	(B-103)	(B-128)	(1)	(2)	(3)																																																																																																																																		
<table border="1"> <tr><td>50</td><td>102</td><td>103</td><td>104</td><td>105</td><td>106</td><td>107</td></tr> <tr><td>108</td><td>109</td><td>110</td><td>111</td><td>112</td><td>113</td><td>114</td></tr> <tr><td>115</td><td>116</td><td>117</td><td>118</td><td>119</td><td>120</td><td>121</td></tr> <tr><td>122</td><td>123</td><td>124</td><td>125</td><td>126</td><td>127</td><td>128</td></tr> <tr><td>129</td><td>130</td><td></td><td></td><td></td><td></td><td></td></tr> </table>	50	102	103	104	105	106	107	108	109	110	111	112	113	114	115	116	117	118	119	120	121	122	123	124	125	126	127	128	129	130						<table border="1"> <tr><td>71</td><td>72</td><td>73</td><td>74</td><td>75</td><td>77</td><td>76</td></tr> <tr><td>78</td><td>79</td><td>80</td><td>81</td><td>82</td><td>83</td><td>84</td></tr> <tr><td>85</td><td>86</td><td>87</td><td>88</td><td>89</td><td></td><td></td></tr> <tr><td>90</td><td>91</td><td>92</td><td>93</td><td>94</td><td>95</td><td>96</td></tr> <tr><td>97</td><td>98</td><td></td><td></td><td></td><td></td><td></td></tr> </table>	71	72	73	74	75	77	76	78	79	80	81	82	83	84	85	86	87	88	89			90	91	92	93	94	95	96	97	98						<table border="1"> <tr><td>41</td><td>42</td><td>43</td><td>44</td><td>45</td><td>46</td></tr> <tr><td>47</td><td>48</td><td>49</td><td>50</td><td>51</td><td>52</td></tr> <tr><td>53</td><td>54</td><td>55</td><td>56</td><td>57</td><td>58</td></tr> <tr><td>59</td><td>60</td><td>61</td><td>62</td><td>63</td><td>64</td></tr> <tr><td>65</td><td>66</td><td></td><td></td><td></td><td></td></tr> </table>	41	42	43	44	45	46	47	48	49	50	51	52	53	54	55	56	57	58	59	60	61	62	63	64	65	66					<table border="1"> <tr><td>1</td><td>2</td><td>3</td><td>4</td><td>5</td><td>6</td><td>7</td><td>8</td></tr> <tr><td>9</td><td>10</td><td>11</td><td>12</td><td>13</td><td>14</td><td>15</td><td>16</td></tr> <tr><td>17</td><td>18</td><td></td><td></td><td></td><td></td><td></td><td></td></tr> </table>	1	2	3	4	5	6	7	8	9	10	11	12	13	14	15	16	17	18							<table border="1"> <tr><td>1</td></tr> <tr><td>2</td></tr> </table>	1	2	<table border="1"> <tr><td>1</td></tr> <tr><td>2</td></tr> </table>	1	2	<table border="1"> <tr><td>1</td></tr> <tr><td>2</td></tr> </table>	1	2
50	102	103	104	105	106	107																																																																																																																																		
108	109	110	111	112	113	114																																																																																																																																		
115	116	117	118	119	120	121																																																																																																																																		
122	123	124	125	126	127	128																																																																																																																																		
129	130																																																																																																																																							
71	72	73	74	75	77	76																																																																																																																																		
78	79	80	81	82	83	84																																																																																																																																		
85	86	87	88	89																																																																																																																																				
90	91	92	93	94	95	96																																																																																																																																		
97	98																																																																																																																																							
41	42	43	44	45	46																																																																																																																																			
47	48	49	50	51	52																																																																																																																																			
53	54	55	56	57	58																																																																																																																																			
59	60	61	62	63	64																																																																																																																																			
65	66																																																																																																																																							
1	2	3	4	5	6	7	8																																																																																																																																	
9	10	11	12	13	14	15	16																																																																																																																																	
17	18																																																																																																																																							
1																																																																																																																																								
2																																																																																																																																								
1																																																																																																																																								
2																																																																																																																																								
1																																																																																																																																								
2																																																																																																																																								

Wire colour code
 B : Black LG:Light green G :Green L :Blue W :White Y :Yellow SB:Sky blue
 BR:Brown O :Orange GR:Gray R :Red P :Pink V :Violet

ELC 4-SPEED AUTOMATIC TRANSMISSION <MPI-SOHC> (CONTINUED)

3



A-22

A-28

A-29

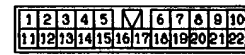
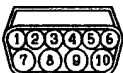
B-36

B-42

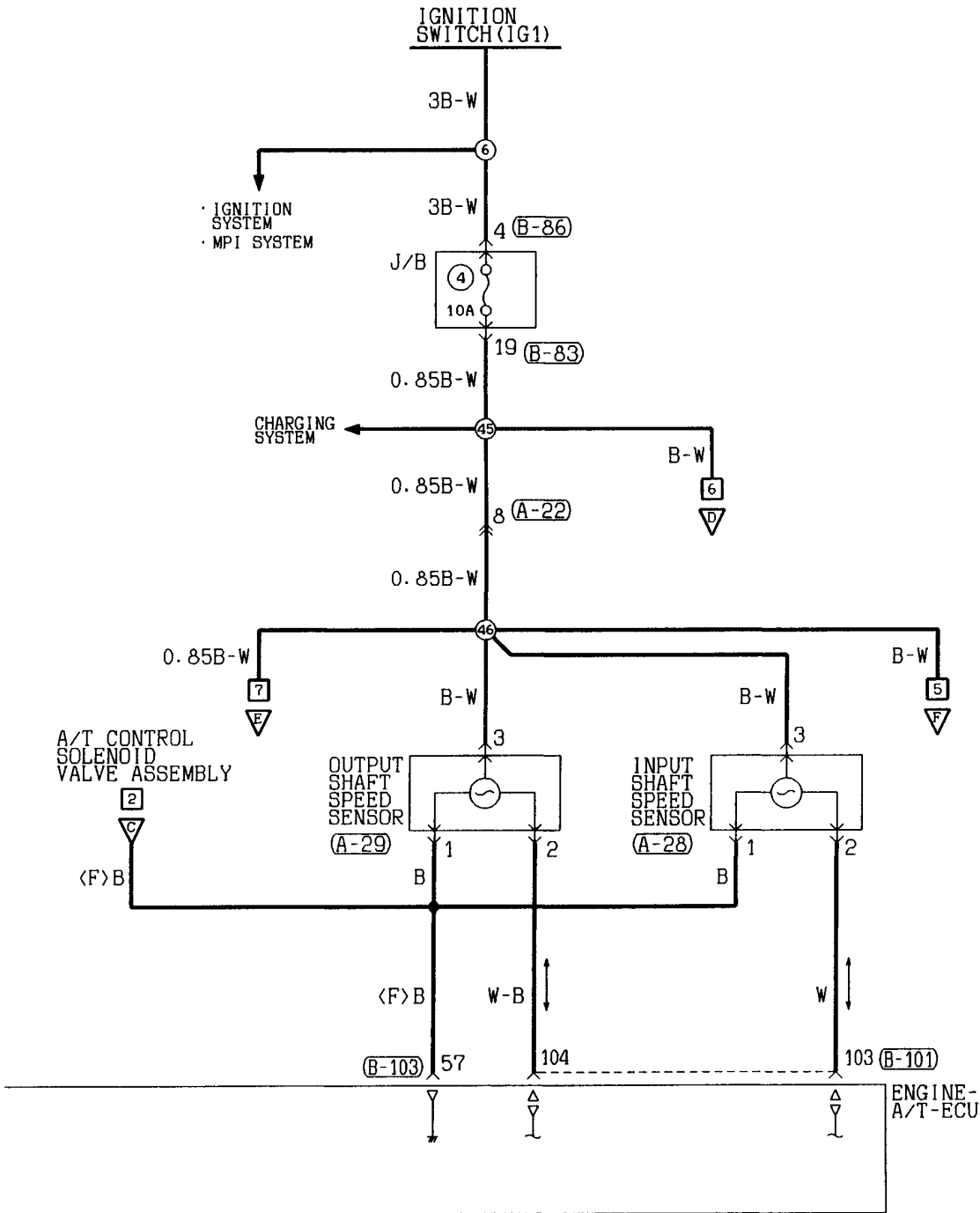
B-43

B-50

B-83



4



(B-86)

1	2	3	4	5	6	7	8		
9	10	11	12	13	14	15	16	17	18

(B-101)

101	102	103	104	105	106	107						
108	109	110	111	112	113	114	115	116	117	118	119	120
121	122	123	124	125	126	127	128	129	130			

(B-102)

71	72	73	74	75	76	77					
78	79	80	81	82	83	84	85	86	87	88	89
90	91	92	93	94	95	96	97	98			

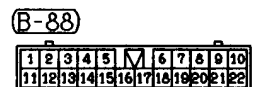
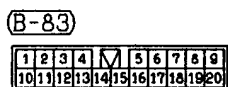
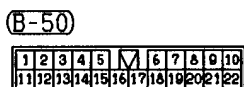
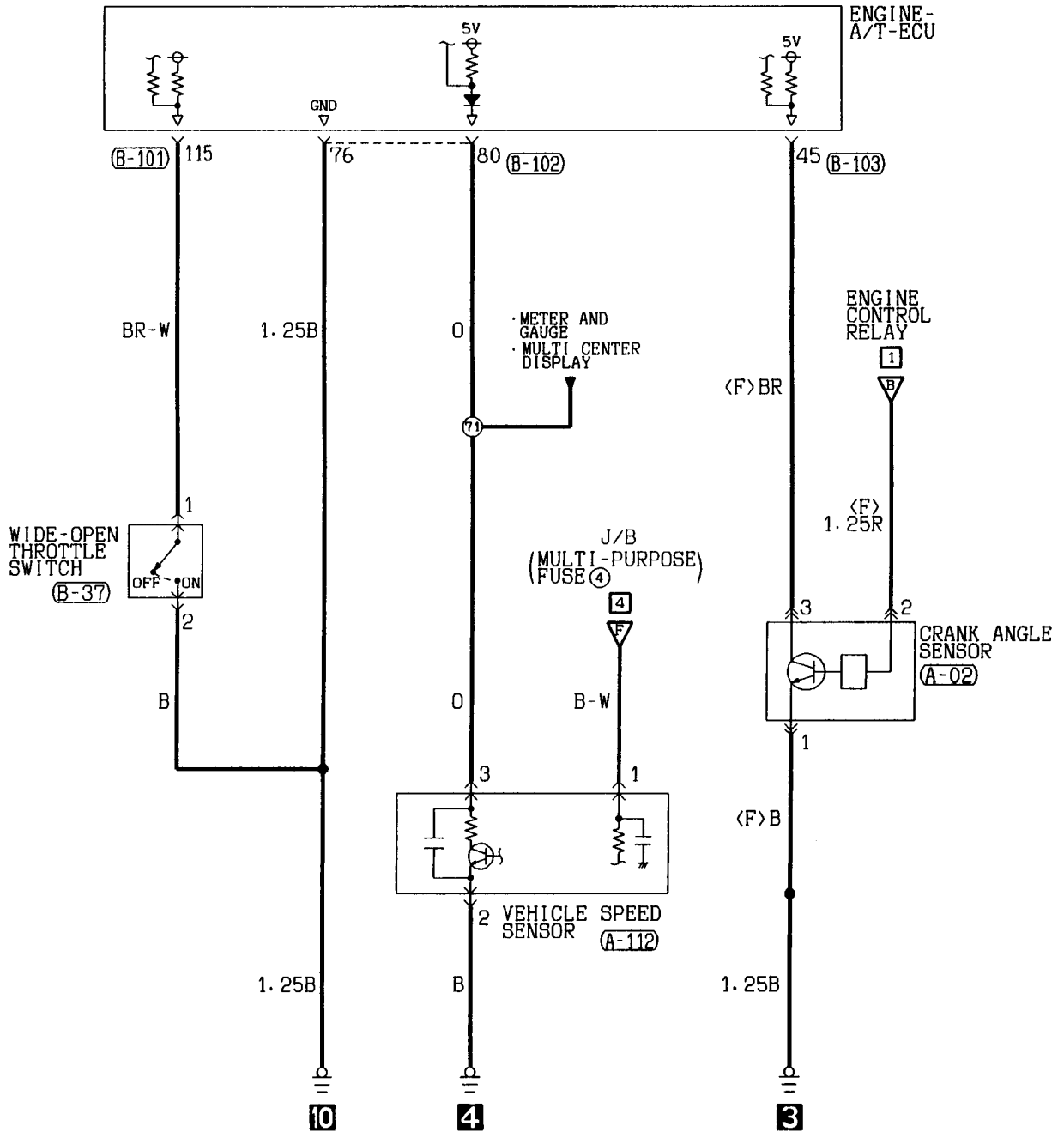
(B-103)

41	42	43	44	45	46					
47	48	49	50	51	52	53	54	55	56	57
58	59	60	61	62	63	64	65	66		

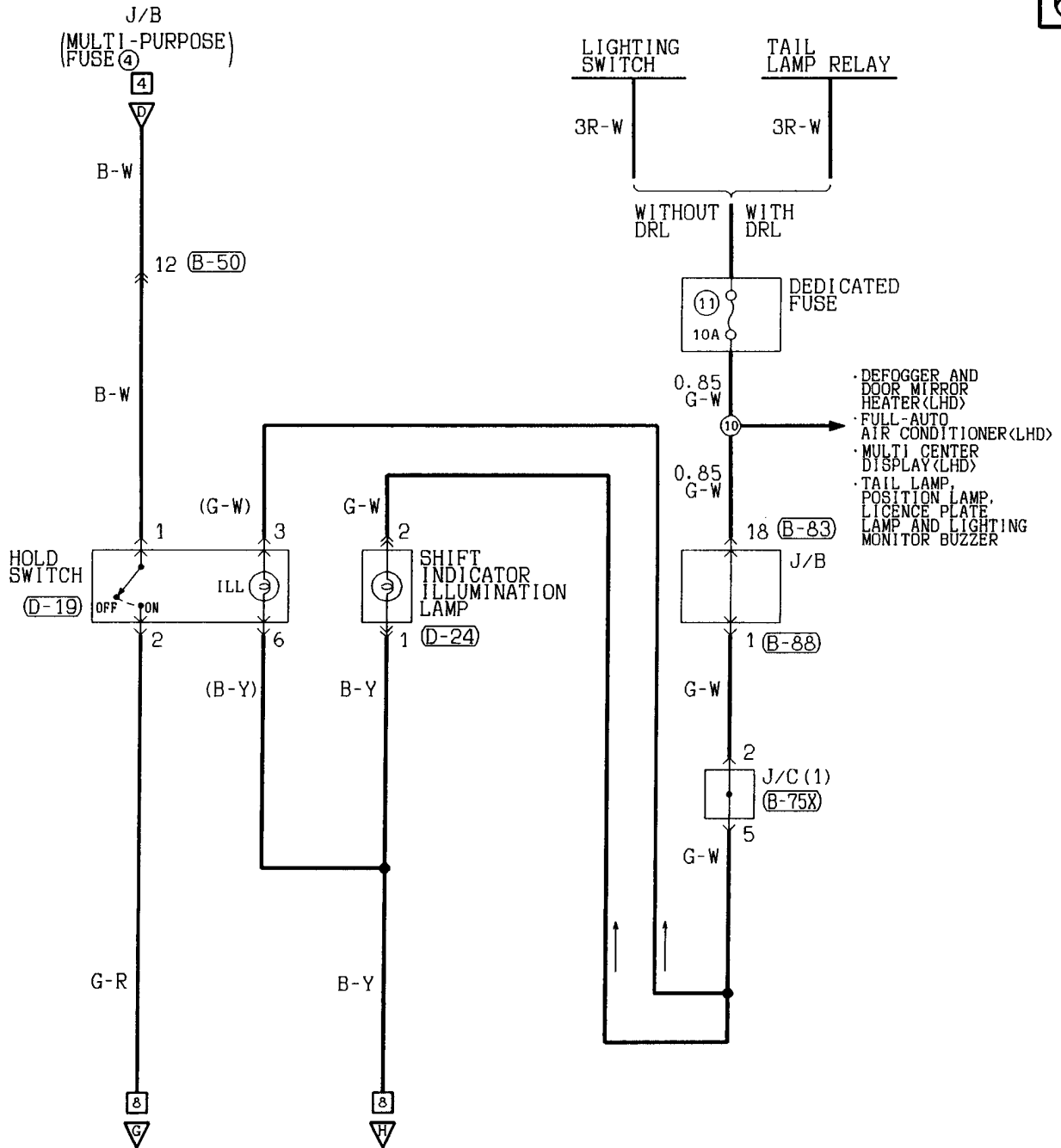
Wire colour code
 B : Black LG: Light green G : Green L : Blue W : White Y : Yellow SB: Sky blue
 BR: Brown O : Orange GR: Gray R : Red P : Pink V : Violet

ELC 4-SPEED AUTOMATIC TRANSMISSION <MPI-SOHC> (CONTINUED)

5



6



(B-101)

103	102	103	104	105	106	107
108	109	110	111	112	113	114
115	116	117	118	119	120	
121	122	123	124	125	126	127
128	129	130				

(B-102)

71	72	73	74	75	76	77
78	79	80	81	82	83	84
85	86	87	88	89		
90	91	92	93	94	95	96
97	98					

(B-103)

41	42	43	44	45	46
47	48	49	50	51	52
53	54	55	56	57	
58	59	60	61	62	63
64	65	66			

(D-19)

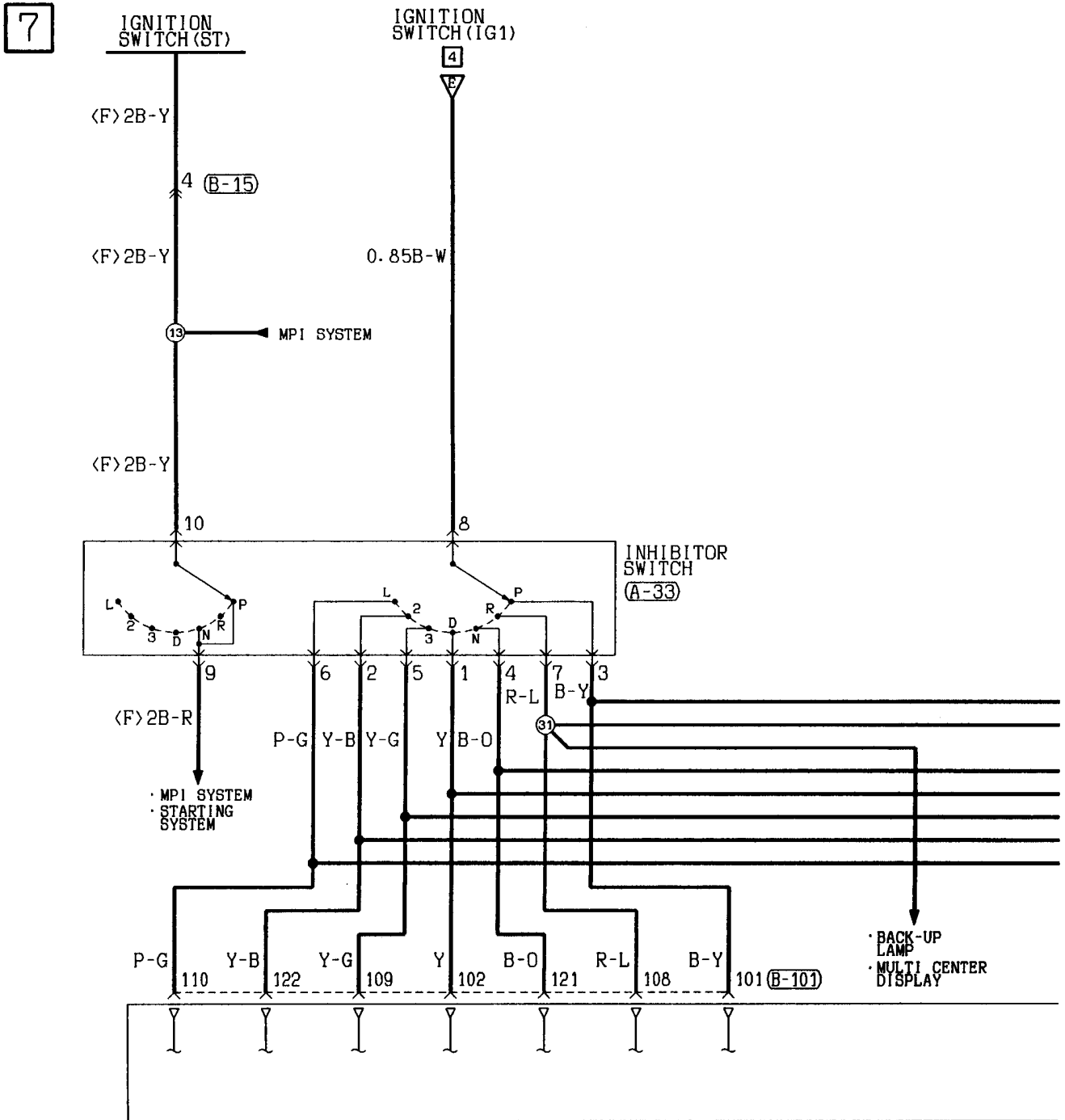
1	M	2
3	4	5
6		

(D-24)

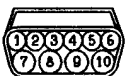
M	
1	2

Wire colour code
 B : Black LG: Light green G : Green L : Blue W : White Y : Yellow SB: Sky blue
 BR: Brown O : Orange GR: Gray R : Red P : Pink V : Violet

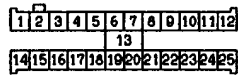
ELC 4-SPEED AUTOMATIC TRANSMISSION <MPI-SOHC> (CONTINUED)



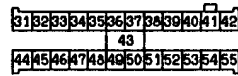
A-33



B-03



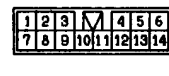
B-05



B-15



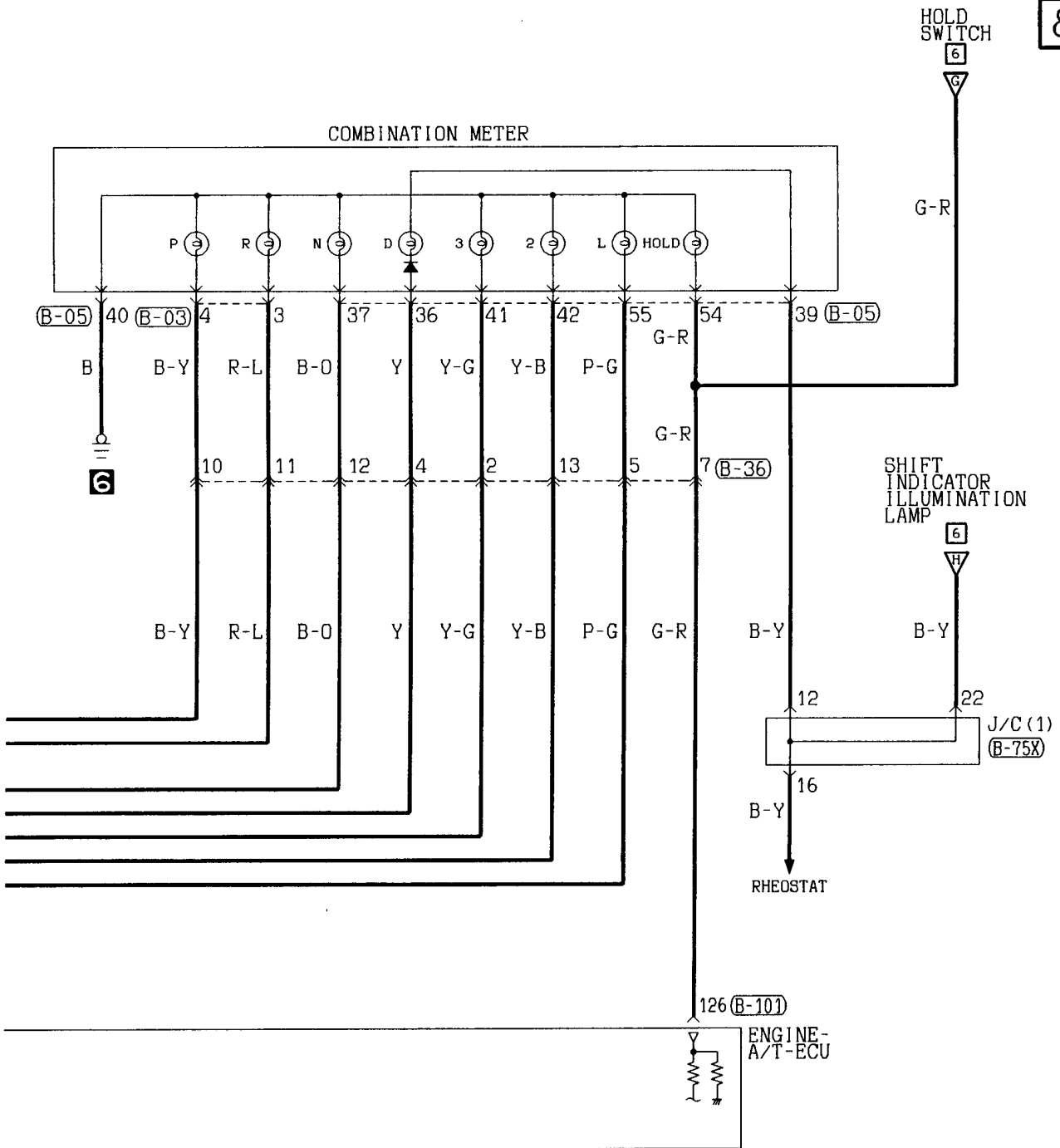
B-36



B-75X



8



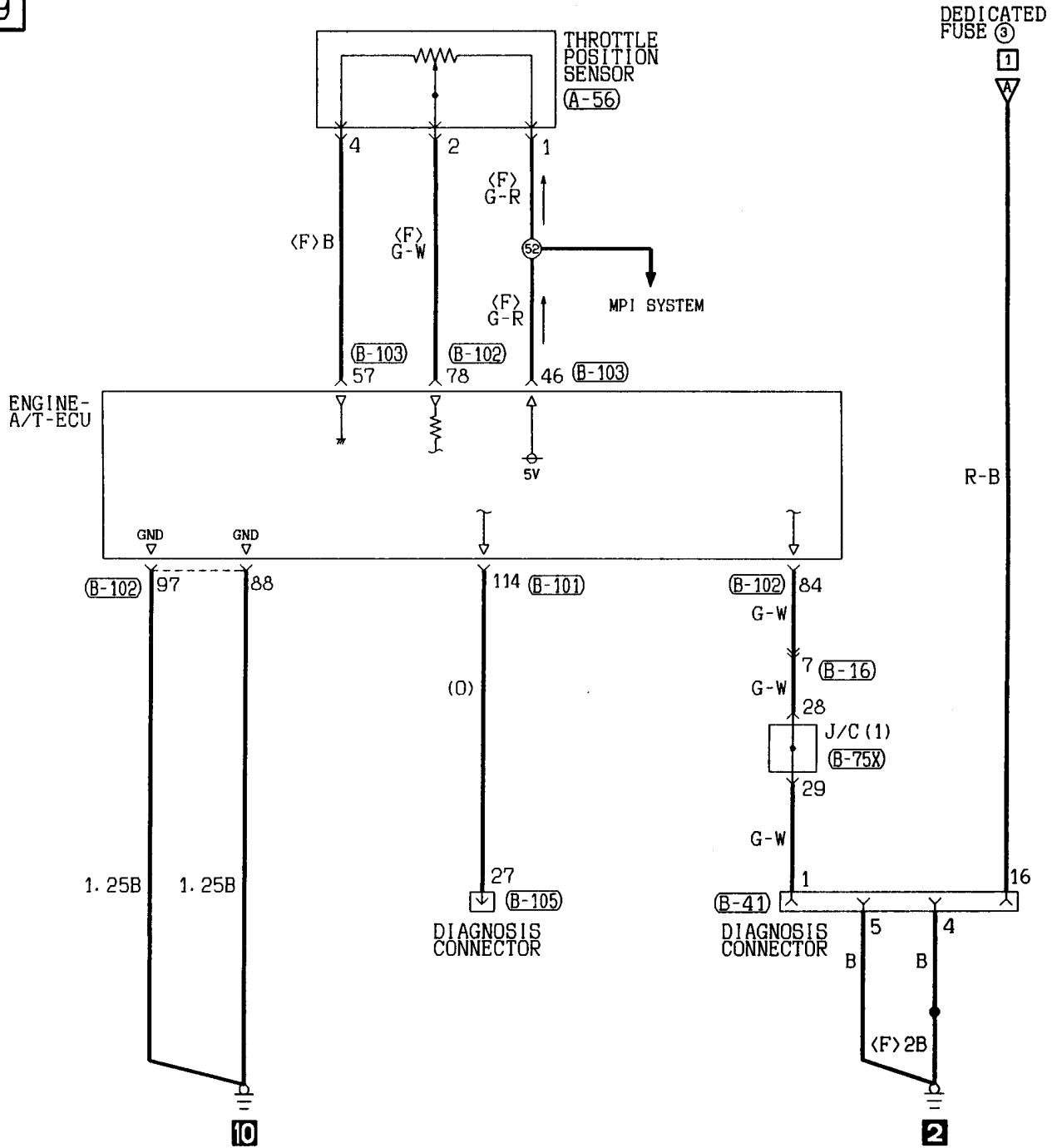
(B-101)

101	102	103	104	105	106	107
108	109	110	111	112	113	114
115	116	117	118	119	120	
121	122	123	124	125	126	127
128	129	130				

Wire colour code
 B :Black LG:Light green G :Green L :Blue W :White Y :Yellow SB:Sky blue
 BR:Brown O :Orange GR:Gray R :Red P :Pink V :Violet

ELC 4-SPEED AUTOMATIC TRANSMISSION <MPI-SOHC> (CONTINUED)

9



(A-56)

(B-16)

(B-41) FRONT SIDE

(B-75X)

(B-101)

1	2	3	4	5	6	7	8	9
10	11	12	13	14	15	16	17	18
19	20							

1	2	3	4	5	6	7	8	9
10	11	12	13	14	15	16	17	18
19	20							

1	2	3	4	5	6	7	8
9	10	11	12	13	14	15	16

1	2	3	4	5	6	7	8	9	10	11
12	13	14	15	16	17	18	19	20	21	22
23	24	25	26	27	28	29	30	31	32	33

102	103	104	105	106	107
108	109	110	111	112	113
114	115	116	117	118	119
120	121	122	123	124	125
126	127	128	129	130	

(B-102)

(B-103)

(B-105) FRONT SIDE

71	72	73	74	75	76	77
78	79	80	81	82	83	84
85	86	87	88	89		
90	91	92	93	94	95	96
97	98					

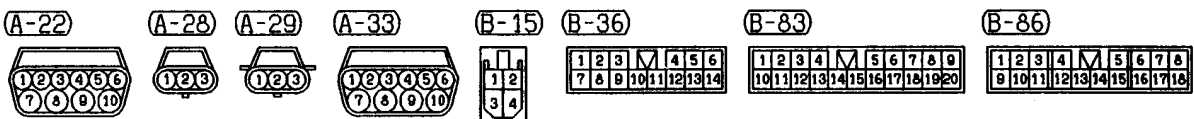
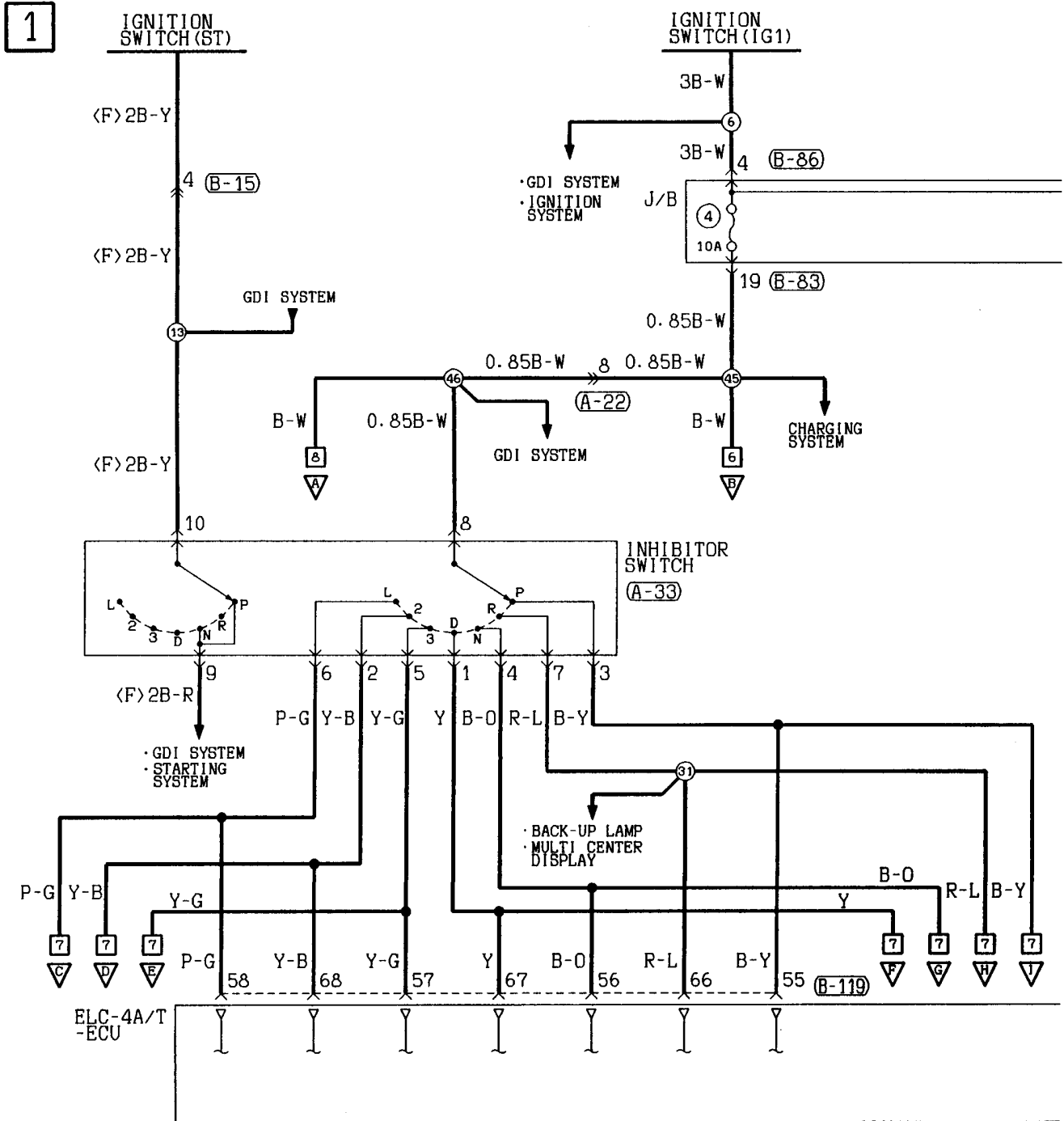
41	42	43	44	45	46
47	48	49	50	51	52
53	54	55	56	57	
58	59	60	61	62	63
64	65	66			

25	24	23	22	21
20	19	18	17	16
15	14	13	12	11
10	9	8	7	6
5	4	3	2	1

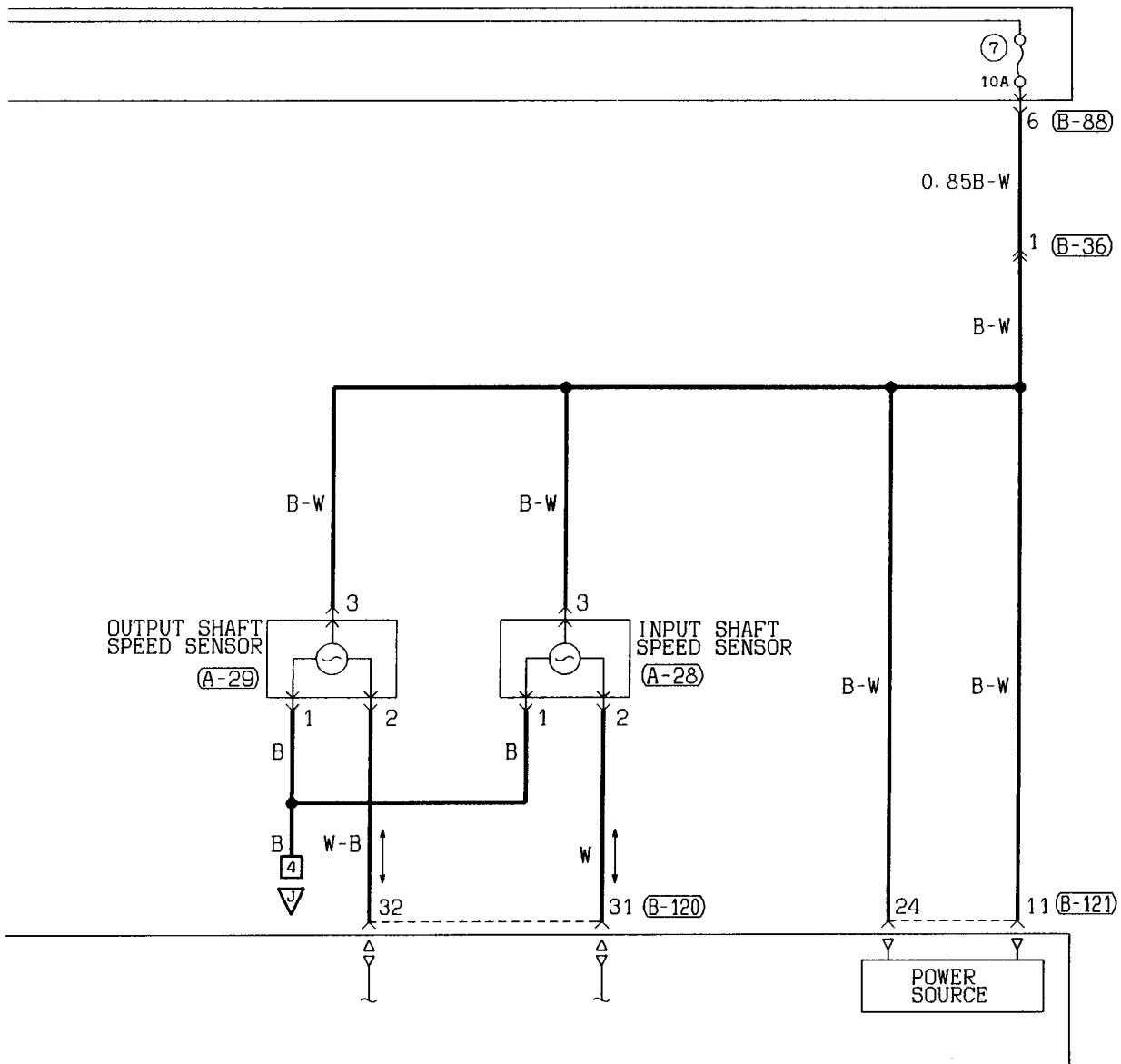
NOTES

ELC 4-SPEED AUTOMATIC TRANSMISSION

GDI



2



(B-88)

1	2	3	4	5	6	7	8	9	10
11	12	13	14	15	16	17	18	19	20
21	22								

(B-119)

51	52	53	54	55	56	57	58	59	60
61	62	63	64	65	66	67	68	69	70
71	72								

(B-120)

31	32	33	34	35	36	37	38
39	40	41	42	43	44	45	46

(B-121)

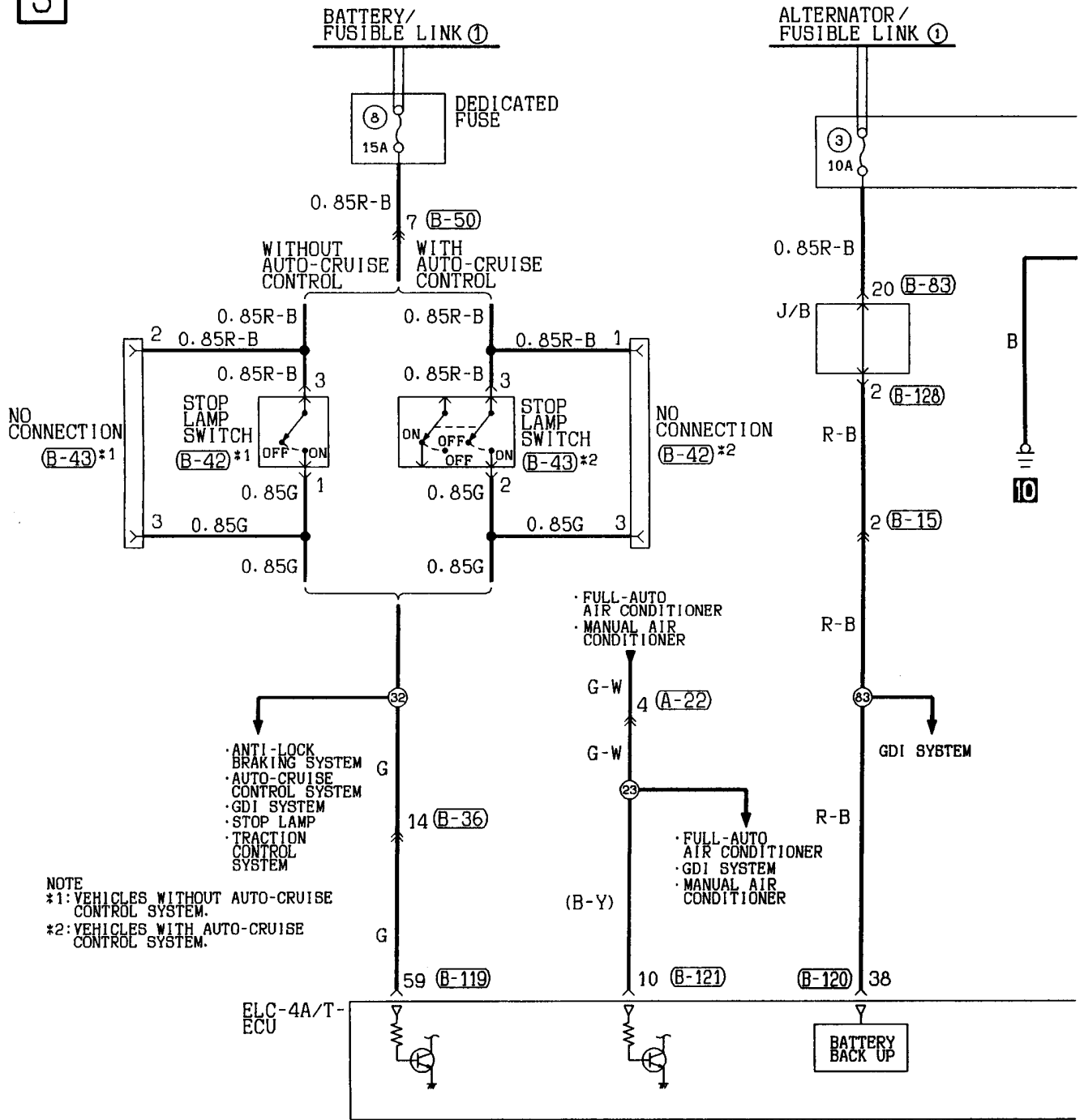
1	2	3	4	5	6	7	8	9	10
11	12	13	14	15	16	17	18	19	20
21	22	23	24	25	26				

Wire colour code

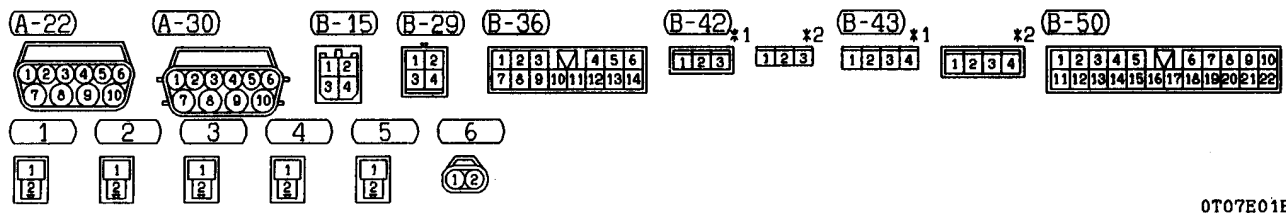
B : Black LG : Light green G : Green L : Blue W : White Y : Yellow SB : Sky blue
 BR : Brown O : Orange GR : Gray R : Red P : Pink V : Violet

ELC 4-SPEED AUTOMATIC TRANSMISSION <GDI> (CONTINUED)

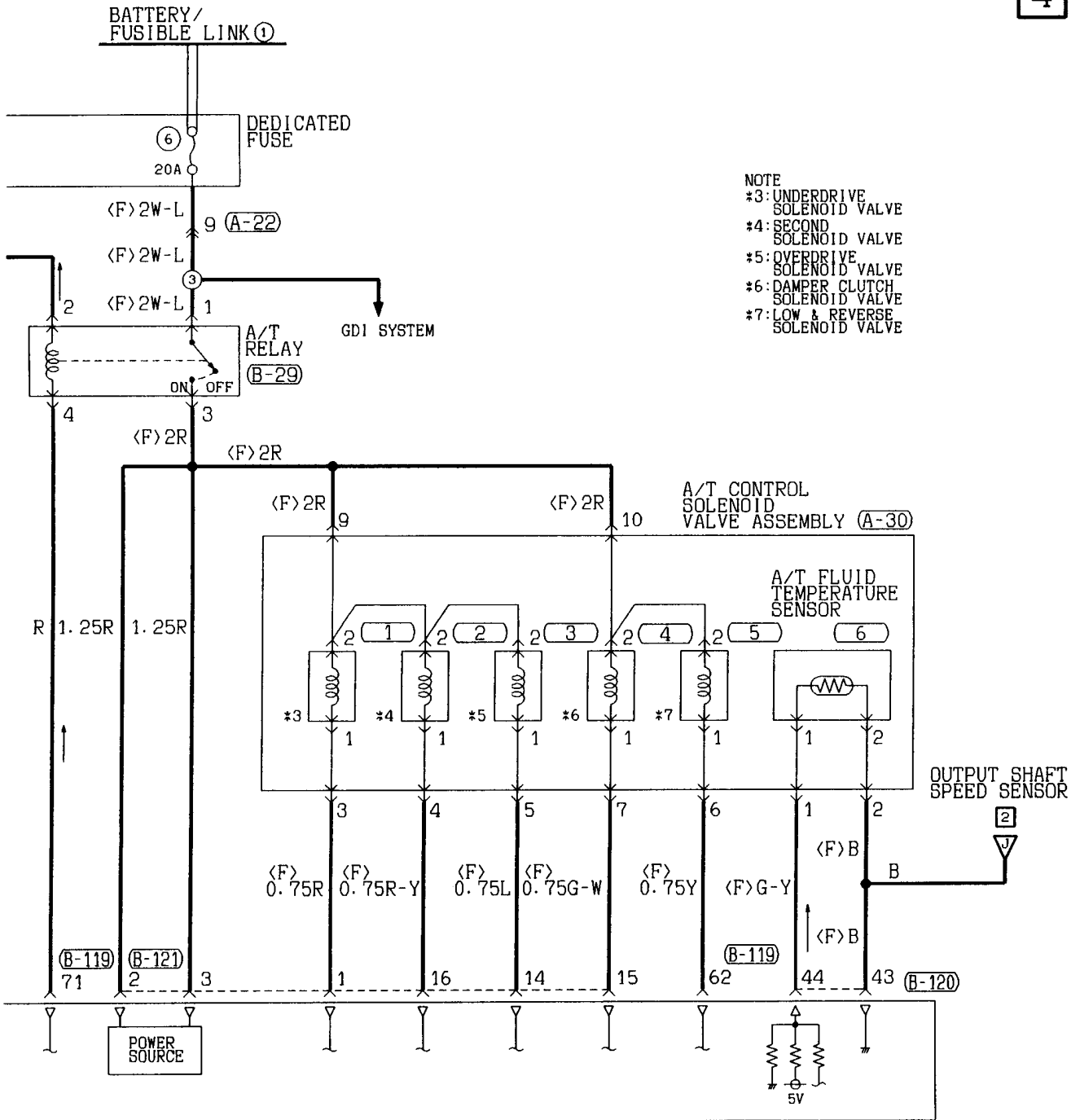
3



NOTE
 *1: VEHICLES WITHOUT AUTO-CRUISE CONTROL SYSTEM.
 *2: VEHICLES WITH AUTO-CRUISE CONTROL SYSTEM.



4



(B-83)

1	2	3	4	5	6	7	8	9		
10	11	12	13	14	15	16	17	18	19	20

(B-119)

51	52	53	54	55	56	57	58	59	60	61
62	63	64	65	66	67	68	69	70	71	72

(B-120)

31	32	33	34	35	36	37	38
39	40	41	42	43	44	45	46

(B-121)

1	2	3	4	5	6	7	8	9	10	11	12	13
14	15	16	17	18	19	20	21	22	23	24	25	26

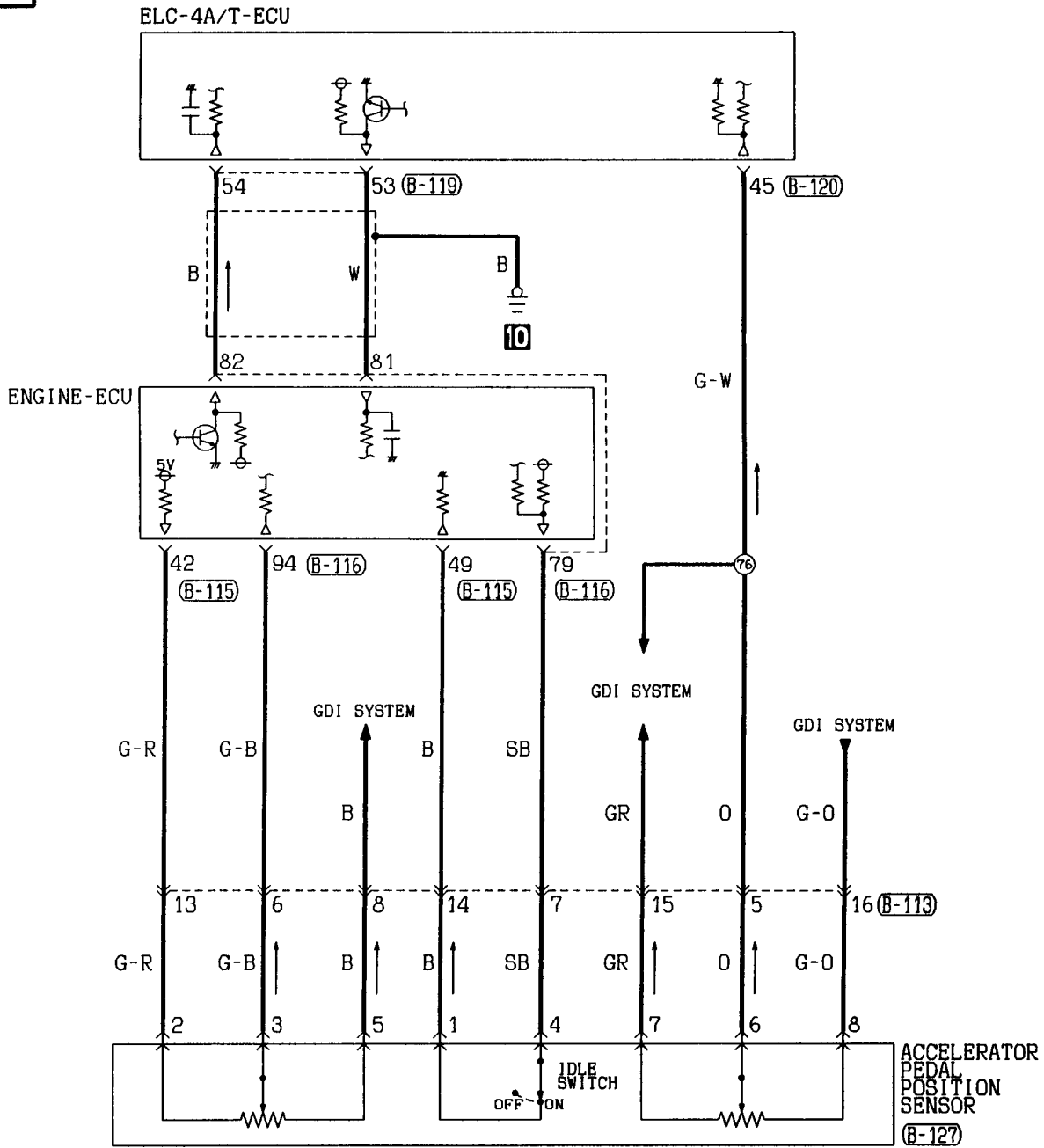
(B-128)

1	2	3	4	5	6	7	8		
9	10	11	12	13	14	15	16	17	18

Wire colour code
 B : Black LG:Light green G :Green L :Blue W :White Y :Yellow SB:Sky blue
 BR:Brown O :Orange GR:Gray R :Red P :Pink V :Violet

ELC 4-SPEED AUTOMATIC TRANSMISSION <GDI> (CONTINUED)

5



(B-50)



(B-75X)



(B-83)



(B-88)



(B-113)



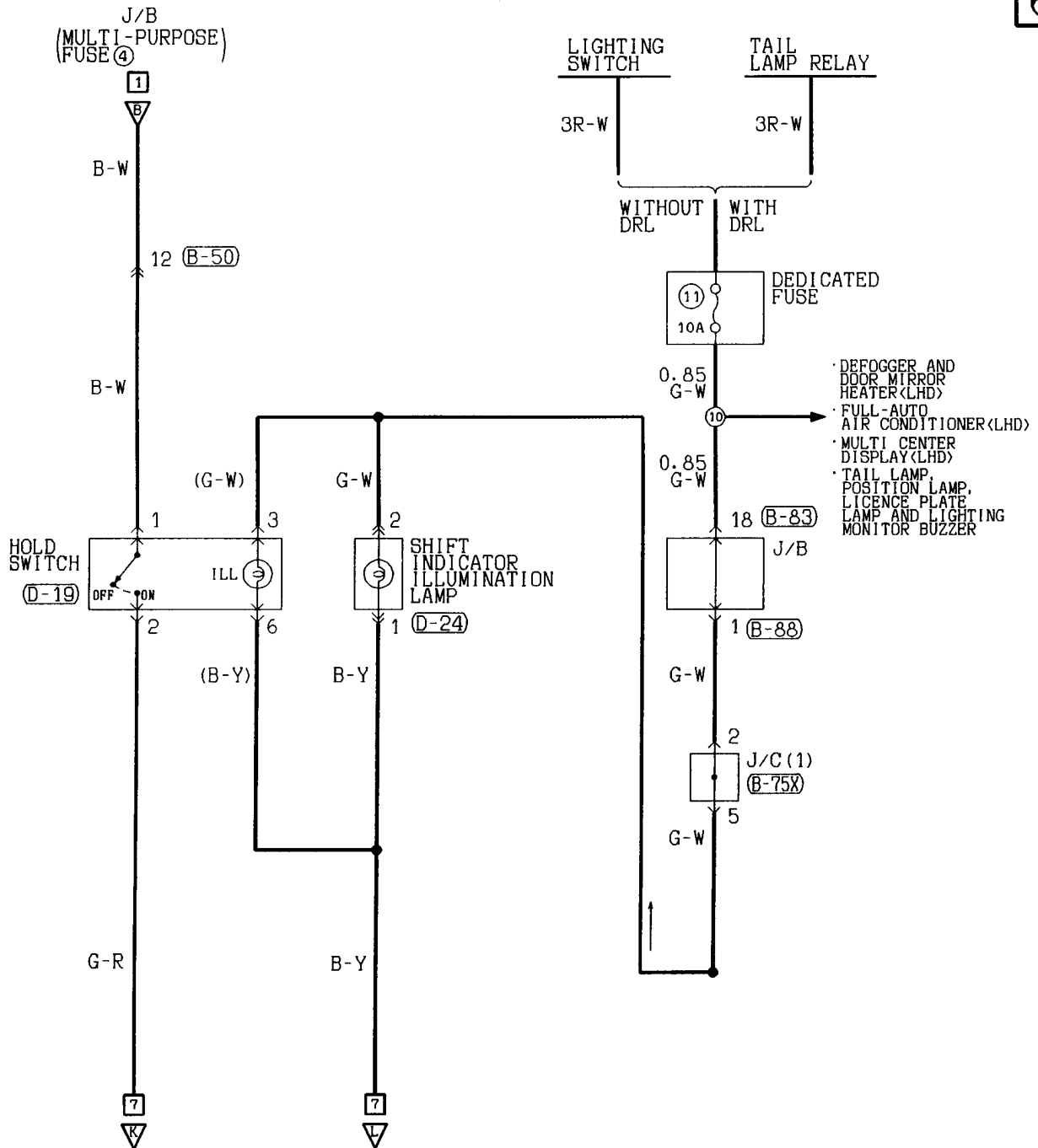
(D-19)



(D-24)



6



(B-115)

41	42	43	44	45	46	47
48	49	50	51	52	53	54
55	56	57	58	59	60	61
62	63	64	65	66	67	68

(B-116)

71	72	73	74	75	76	77
78	79	80	81	82	83	84
85	86	87	88	89	90	91
92	93	94	95	96	97	98
99	100					

(B-119)

51	52	53	54	55	56	57
58	59	60	61	62	63	64
65	66	67	68	69	70	71
72						

(B-120)

31	32	33	34	35	36	37
38	39	40	41	42	43	44
45	46					

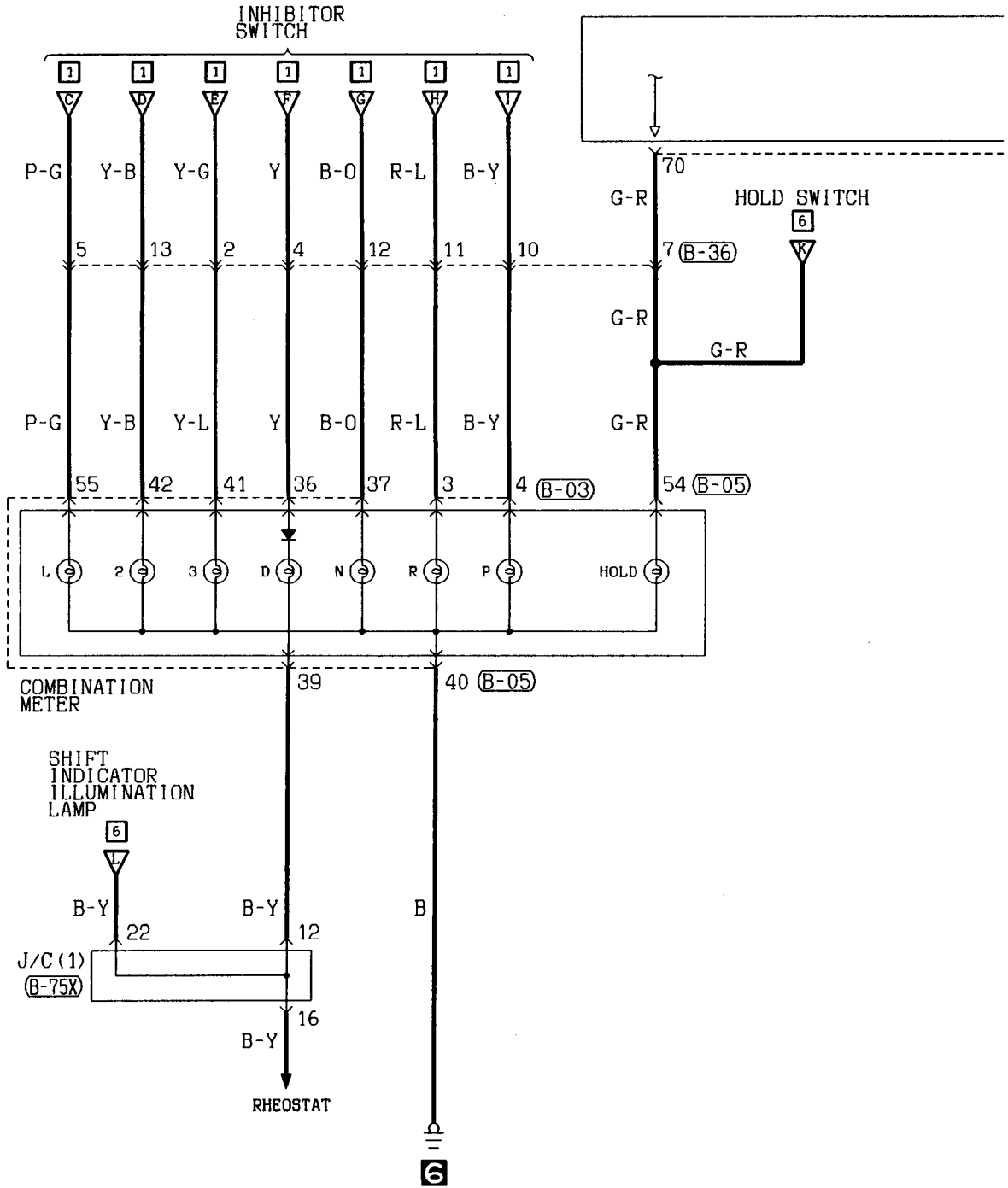
(B-127)

0	1	2	3	4	5	6	7	8
---	---	---	---	---	---	---	---	---

Wire colour code
 B : Black LG : Light green G : Green L : Blue W : White Y : Yellow SB : Sky blue
 BR : Brown O : Orange GR : Gray R : Red P : Pink V : Violet

ELC 4-SPEED AUTOMATIC TRANSMISSION <GDI> (CONTINUED)

7



(A-112)

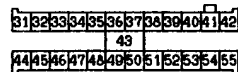
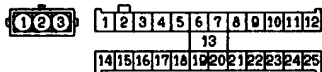
(B-03)

(B-05)

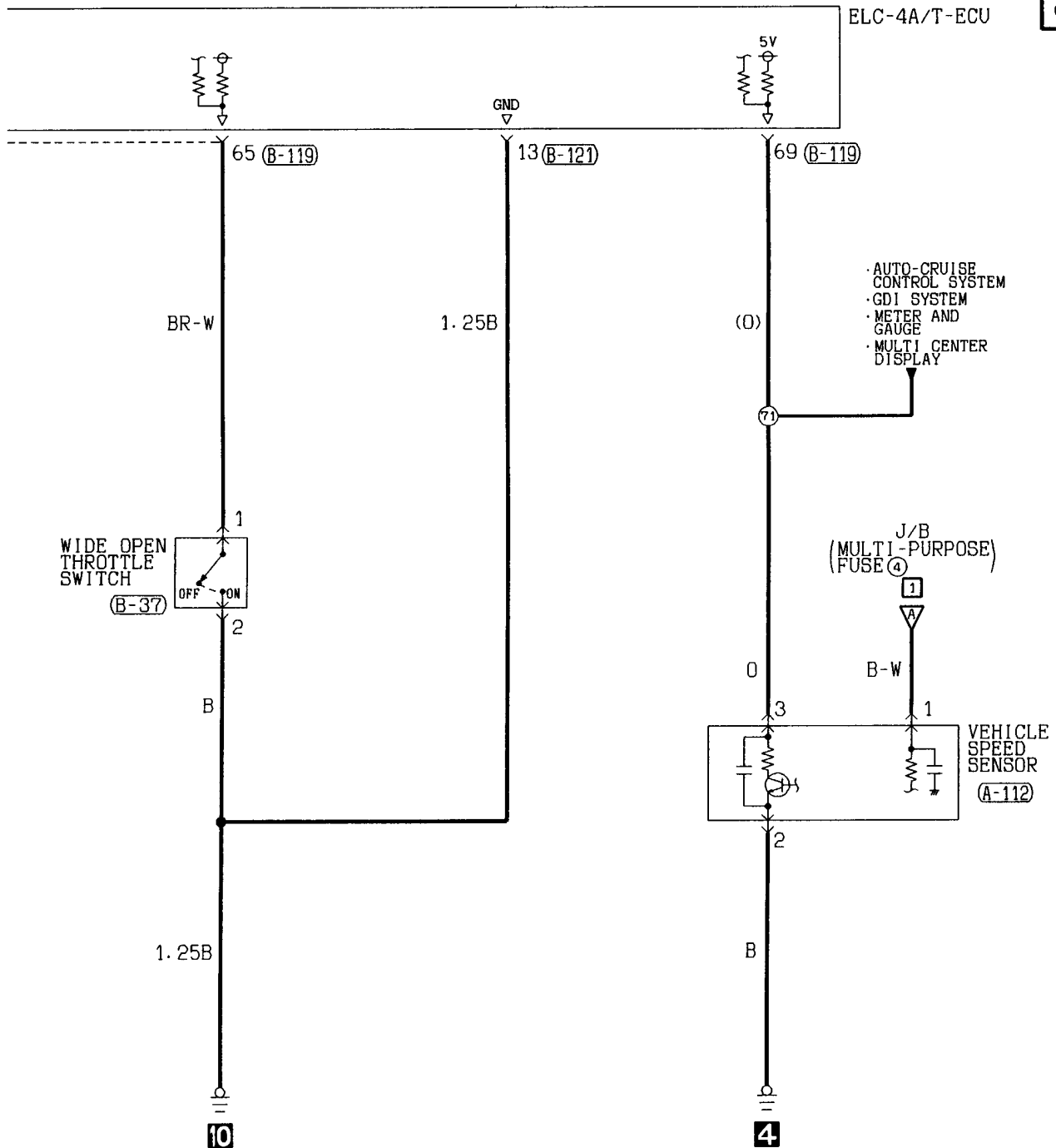
(B-36)

(B-37)

(B-75X)



8



(B-119)

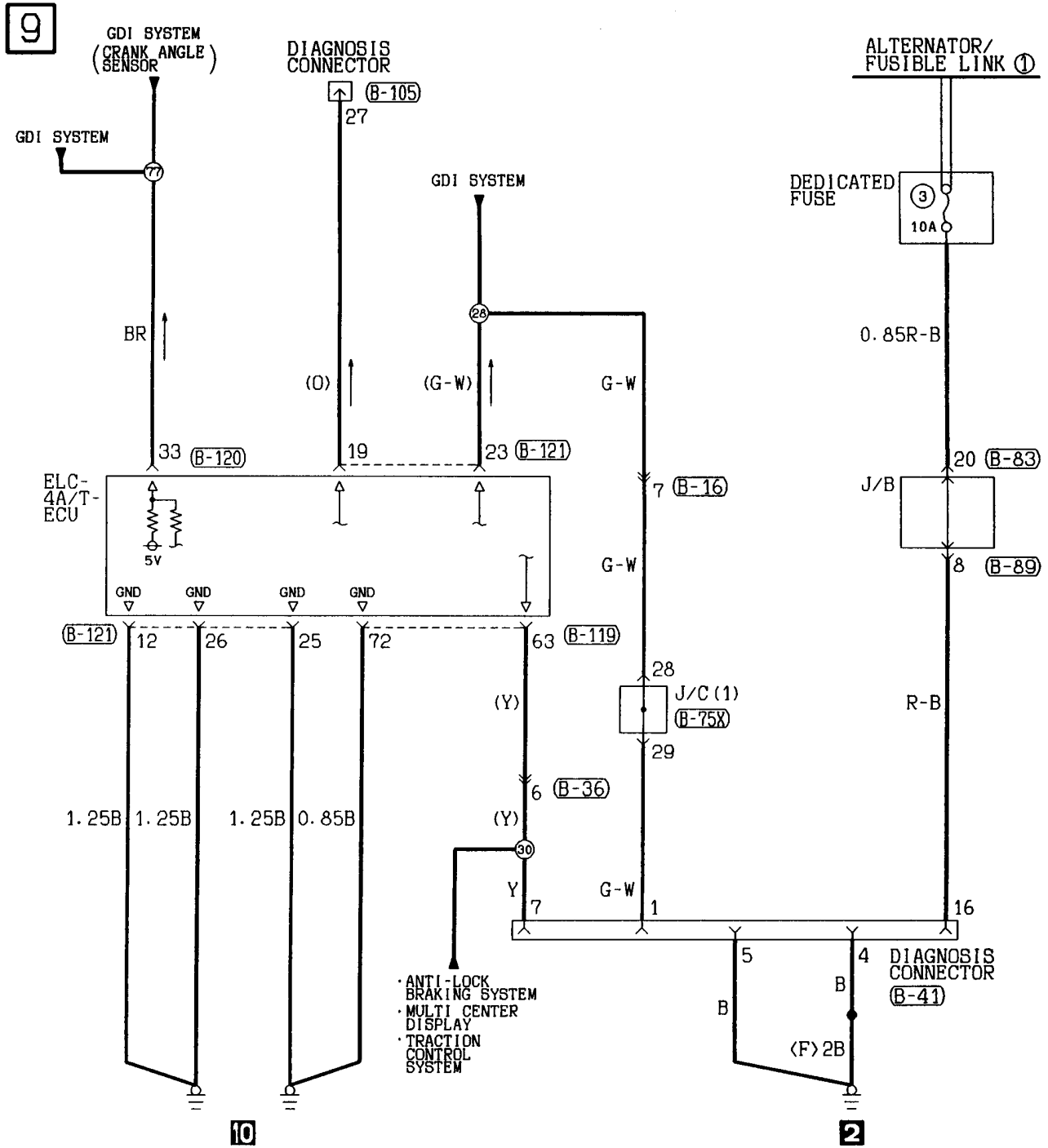
(B-121)

51	52	53	54	55	56	57	58	59	60	61
62	63	64	65	66	67	68	69	70	71	72

1	2	3	4	5	6	7	8	9	10	11	12	13
14	15	16	17	18	19	20	21	22	23	24	25	26

Wire colour code
 B : Black LG: Light green G : Green L : Blue W : White Y : Yellow SB: Sky blue
 BR: Brown O : Orange GR: Gray R : Red P : Pink V : Violet

ELC 4-SPEED AUTOMATIC TRANSMISSION <GDI> (CONTINUED)



(B-16)

1	2	3	4	5	6	7	8	9		
10	11	12	13	14	15	16	17	18	19	20

(B-36)

1	2	3	4	5	6		
7	8	9	10	11	12	13	14

(B-41) FRONT SIDE

1	2	3	4	5	6	7	8
9	10	11	12	13	14	15	16

(B-75X)

1	2	3	4	5	6	7	8	9	10	11
12	13	14	15	16	17	18	19	20	21	22
23	24	25	26	27	28	29	30	31	32	33

(B-83)

1	2	3	4	5	6	7	8	9		
10	11	12	13	14	15	16	17	18	19	20

(B-89)

1	2	3	4	5	6	7	8	9	10		
11	12	13	14	15	16	17	18	19	20	21	22

(B-105) FRONT SIDE

25	24	23	22	21		
32	31	30	29	28	27	26

(B-119)

5	1	2	3	4	5	6	7	8	9	60	61
62	63	64	65	66	67	68	69	70	71	72	

(B-120)

3	1	2	3	4	5	6	7	38
39	40	41	42	43	44	45	46	

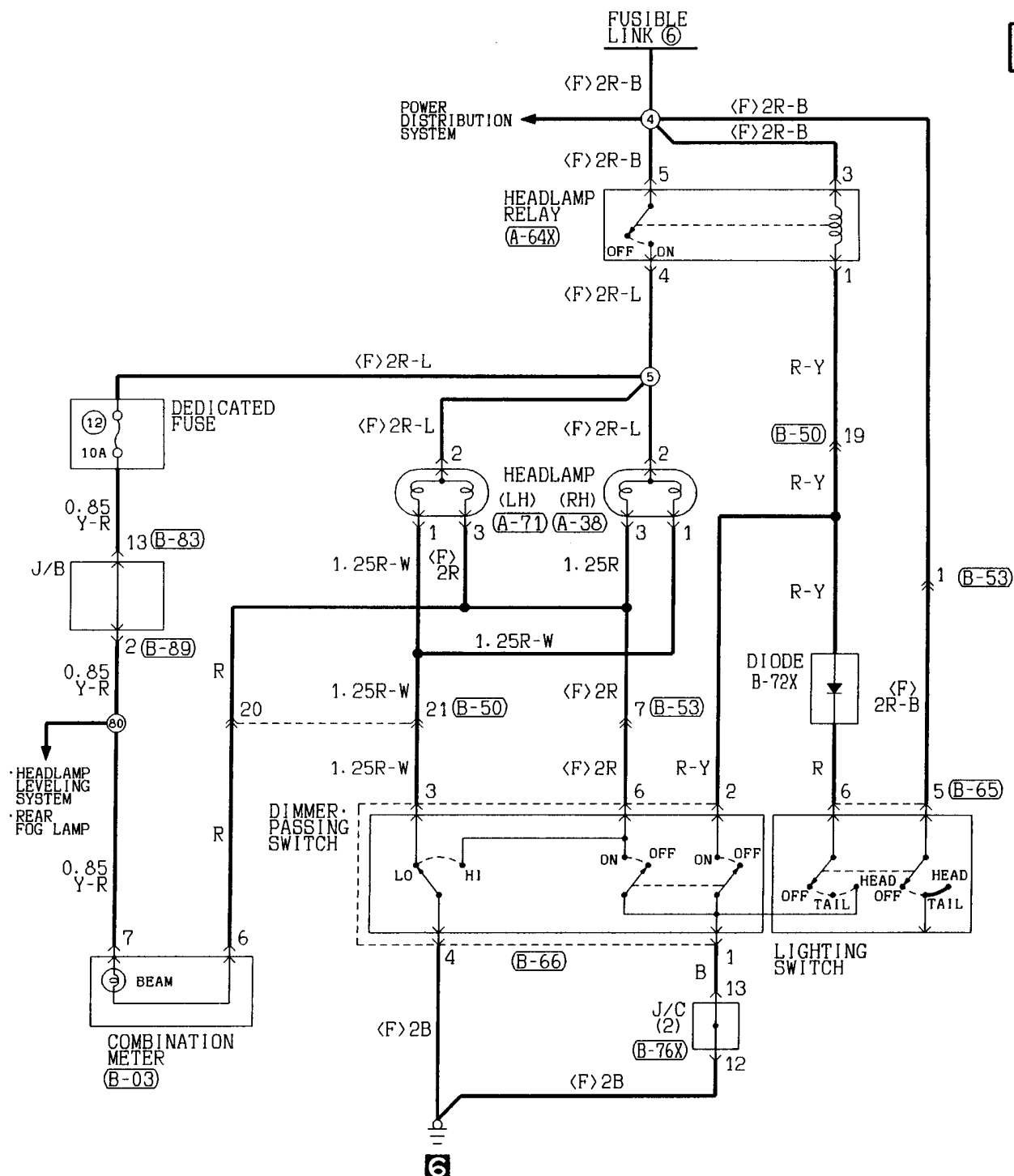
(B-121)

1	2	3	4	5	6	7	8	9	10	11	12	13
14	15	16	17	18	19	20	21	22	23	24	25	26

HEADLAMP

Vehicles without daytime running lamp

1

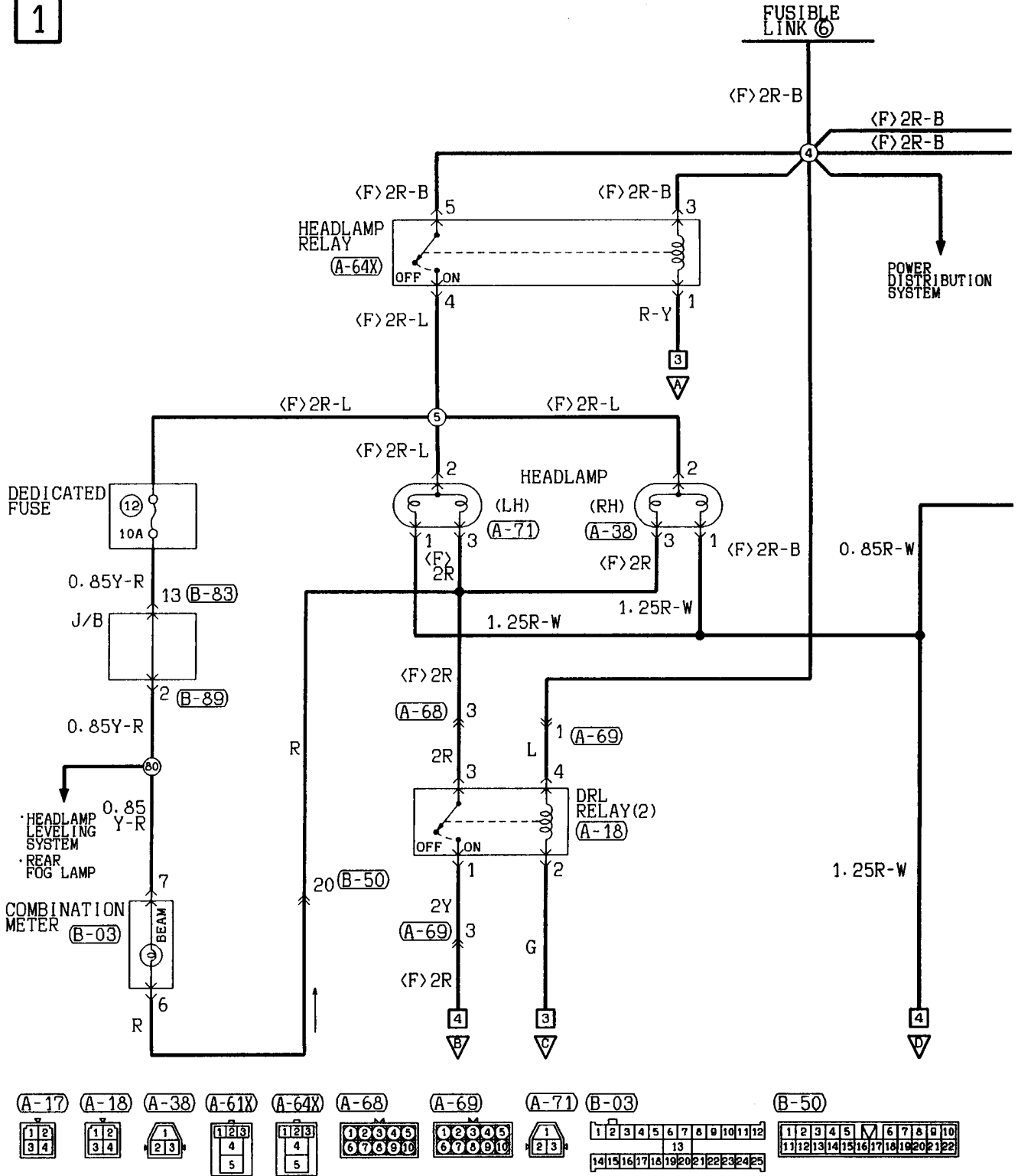


- (A-38)
- (A-64X)
- (A-71)
- (B-03)
- (B-50)
- (B-53)
- (B-65)
- (B-66)
- (B-76X)
- (B-83)
- (B-89)

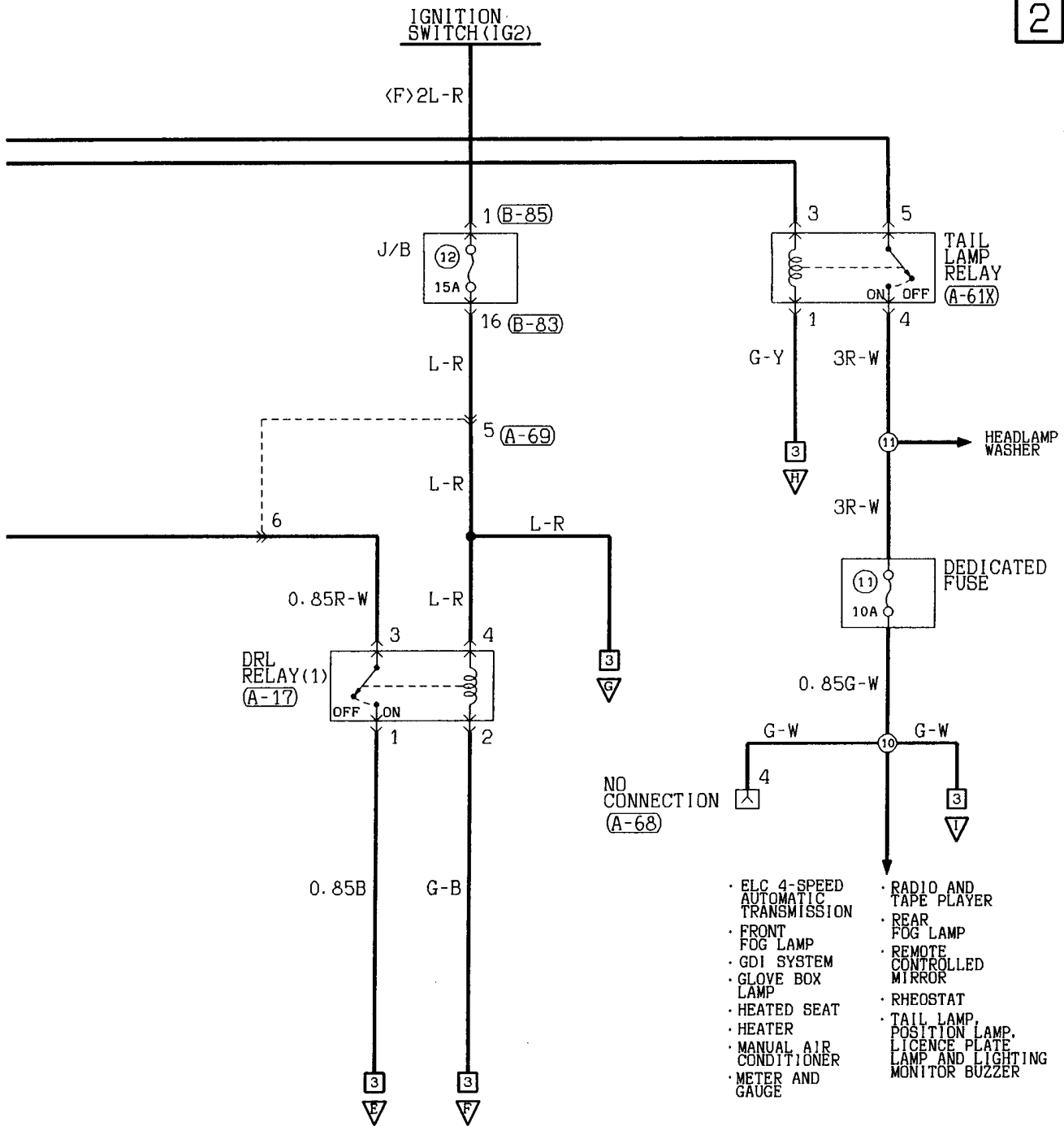
HEADLAMP

Vehicles with daytime running lamp

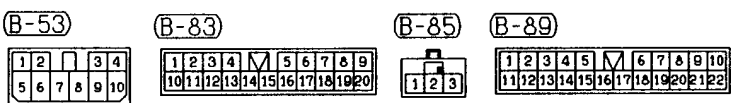
1



2

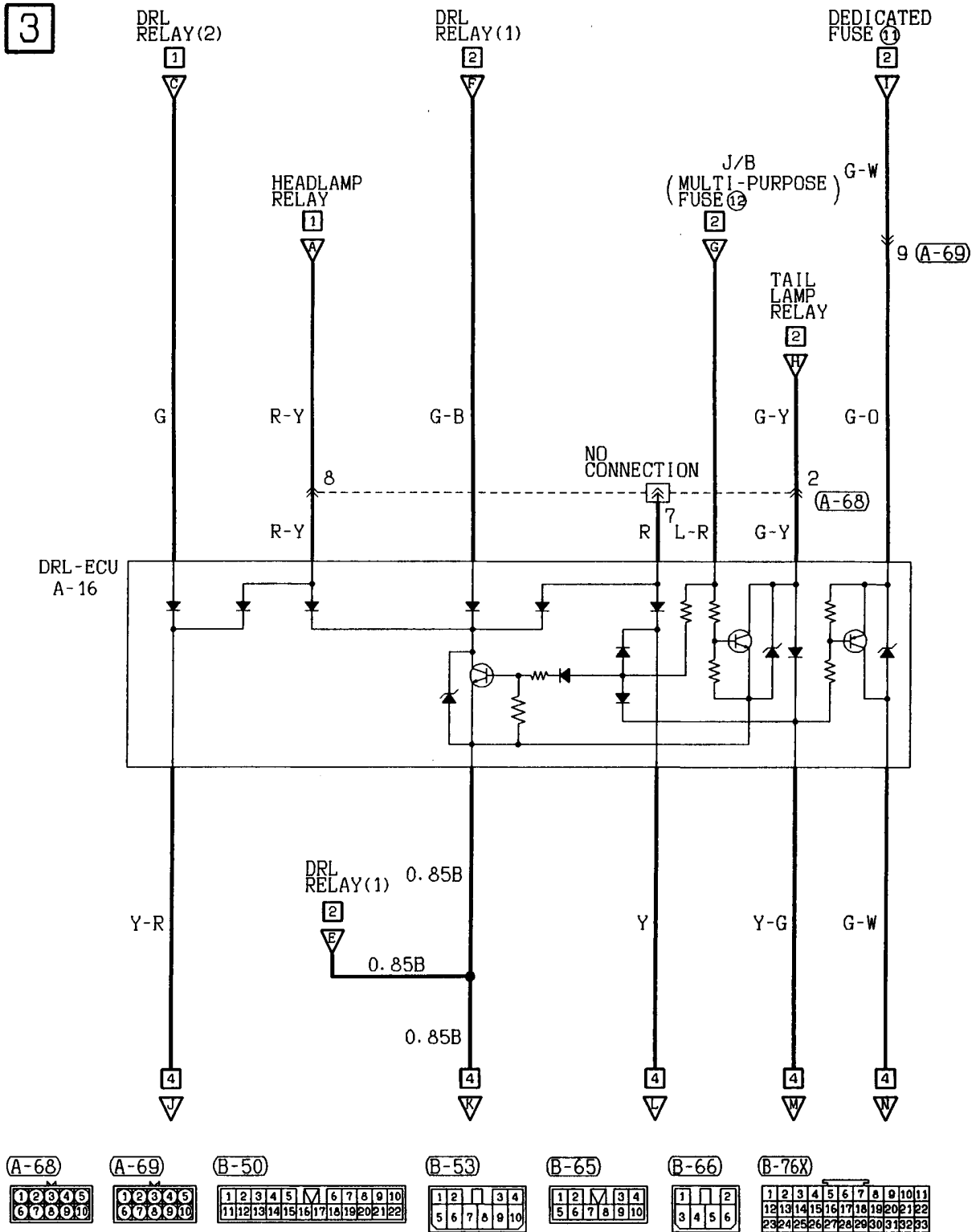


- ELC 4-SPEED AUTOMATIC TRANSMISSION
- FRONT FOG LAMP
- GDI SYSTEM
- GLOVE BOX LAMP
- HEATED SEAT
- HEATER
- MANUAL AIR CONDITIONER
- METER AND GAUGE
- RADIO AND TAPE PLAYER
- REAR FOG LAMP
- REMOTE CONTROLLED MIRROR
- RHEOSTAT
- TAIL LAMP, POSITION LAMP, LICENCE PLATE LAMP AND LIGHTING MONITOR BUZZER

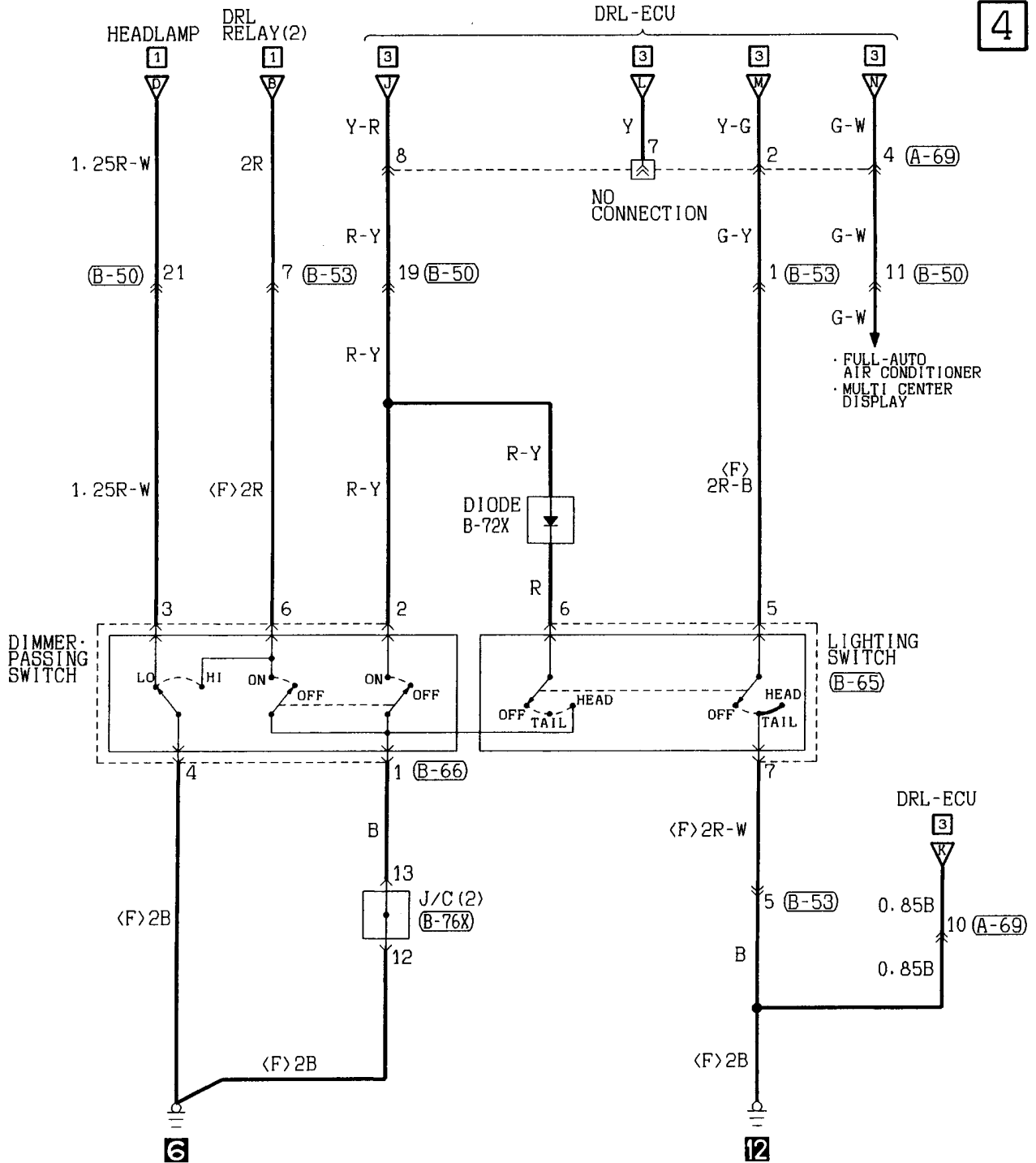


Wire colour code
 B : Black LG : Light green G : Green L : Blue W : White Y : Yellow SB : Sky blue
 BR : Brown O : Orange GR : Gray R : Red P : Pink V : Violet

HEADLAMP <Vehicles with daytime running lamp> (CONTINUED)



4



Wire colour code
 B :Black LG:Light green G :Green L :Blue W :White Y :Yellow SB:Sky blue
 BR:Brown O :Orange GR:Gray R :Red P :Pink V :Violet

HEADLAMP <Vehicles without daytime running lamp> (See P. 4-89.)

OPERATION

Headlamp Relay ON Conditions

Refer to the table below.

<Low-beam operation>

- Placing the lighting switch in the HEAD position causes the headlamp relay to be energized.
- If the dimmer/passing switch is placed in the LO position at this time, the headlamps light up in low beam.

<Upper-beam operation>

- Placing the lighting switch in the HEAD position causes the headlamp relay to be energized.
- If the dimmer/passing switch is placed in the HI position at this time, the headlamps light up in upper beam.

<Upper-beam indicator lamp>

- This lamp lights up when the upper/passing beams are on, indicating that the headlamps are on in upper beam.

<Passing operation>

- When the dimmer/passing switch is set to the "ON" position, the headlamp relay is switched ON and the upper beam of the headlamps illuminates.

TROUBLESHOOTING HINTS

1. Headlamps don't go on.
 - 1) But the tail lamps illuminate.
 - Check the headlamp relay.
 - Check the lighting switch.
 - 2) The tail lamps also don't illuminate.
 - Check the fusible link No. (6).
2. The low beam at both sides doesn't illuminate.
 - Check the dimmer switch LO contacts.
3. The upper beam at both sides doesn't illuminate.
 - 1) The passing signal functions OK.
 - Check the dimmer switch HI contacts.
4. One headlamp doesn't illuminate.
 - Check the lamp bulb.
5. Can't switch from low to upper beam or vice-versa.
 - Check the dimmer switch.
6. Upper-beam indicator lamp does not go on.
 - 1) Headlamp upper beams are operational.
 - Check dedicated fuse No. (12).
 - Check the indicator lamp bulb.

Lighting switch	Dimmer/passing switch	Headlamp relay
"HEAD"	—	ON
—	ON	ON

HEADLAMP <Vehicles with daytime running lamp> (See P. 4-90.)

OPERATION

Headlamp Relay ON Conditions
Refer to the table below.

<Daytime running lamp operation>

- Turning the ignition switch to the ON position causes the headlamp relay, daytime running lamp relay (I), and tail lamp relay to be energized, which causes the headlamps, tail lamps, etc. to go on.

<Low-beam operation>

- Placing the lighting switch in the HEAD position causes the headlamp relay and daytime running lamp relay (II) to be energized.
- If the dimmer/passing switch is placed in the LO position at this time, the headlamps light up in low beam.

<Upper-beam operation>

- Placing the lighting switch in the HEAD position causes the headlamp relay and daytime running lamp relay (II) to be energized.
- If the dimmer/passing switch is placed in the HI position at this time, the headlamps light up in upper beam.

<Upper-beam indicator lamp>

- This lamp lights up when the upper/passing beams are on, indicating that the headlamps are on in upper beam.

<Passing operation>

- When the dimmer/passing switch is set to the "ON" position, the headlamp relay is switched ON and the upper beam of the headlamps illuminates.

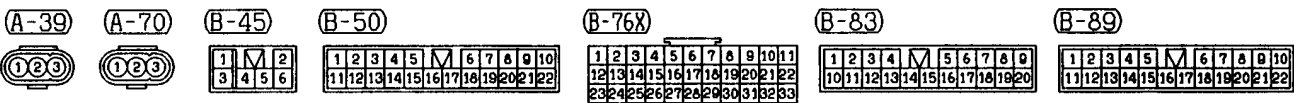
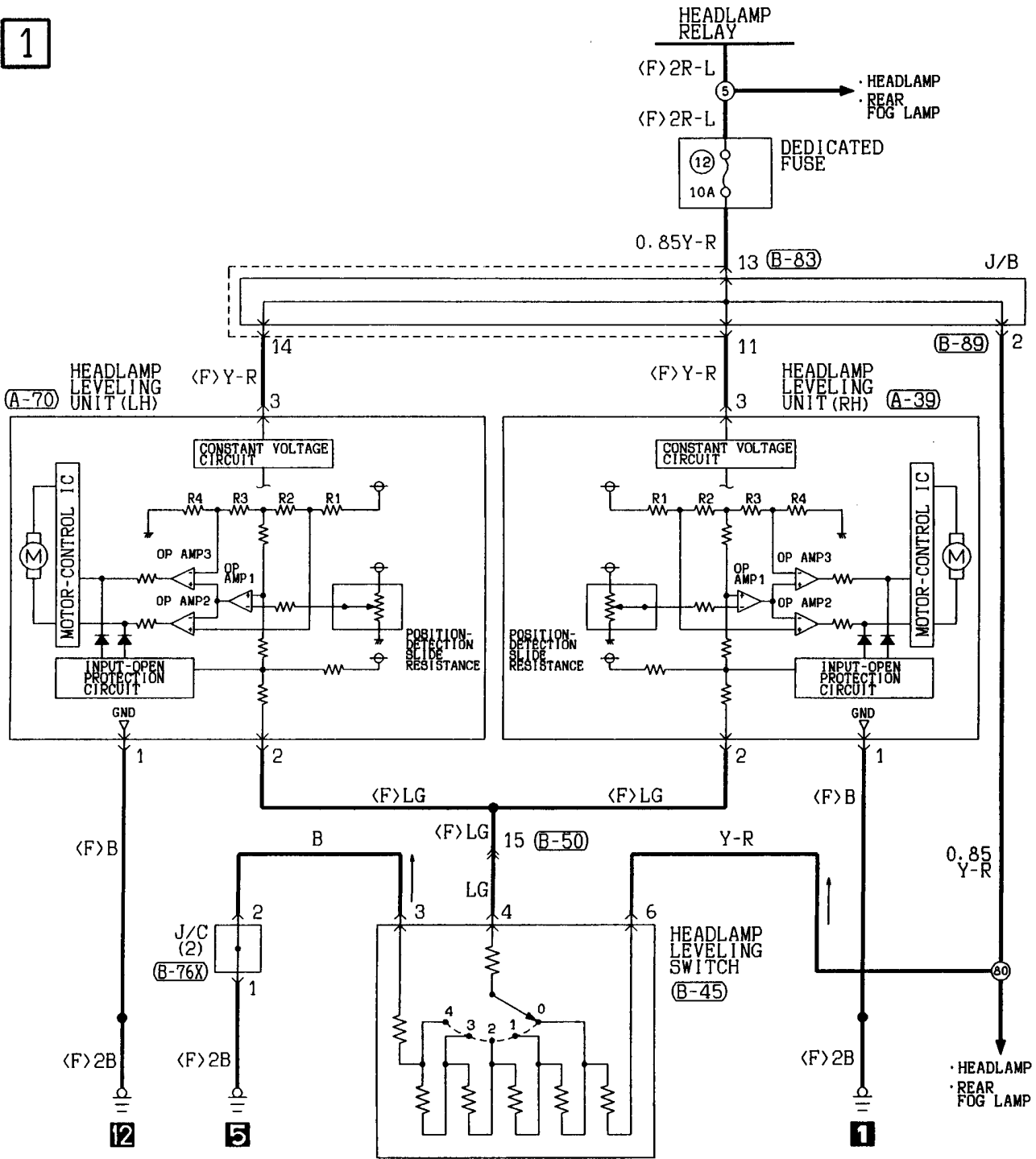
TROUBLESHOOTING HINTS

1. Headlamps don't go on.
 - 1) But the tail lamps do illuminate.
 - Check the headlamp relay.
 - Check the lighting switch.
 - 2) The tail lamps also don't illuminate.
 - Check the fusible link No. (6).
2. The low beam at both sides doesn't illuminate.
 - Check the dimmer switch LO contacts.
3. The upper beam at both sides doesn't illuminate.
 - 1) The passing signal functions OK.
 - Check the dimmer switch HI contacts.
 - 1) The passing signal doesn't function.
 - Check the dimmer switch.
 - Check the daytime running lamp relay (II).
 - Check the daytime running lamp control unit.
4. One headlamp doesn't illuminate.
 - Check the lamp bulb.
5. Can't switch from low to upper beam or vice-versa.
 - Check the dimmer switch.
6. With the ignition switch at the "ON" position, the headlamps' low beam does not illuminate.
 - Check the daytime running lamp relay (I).
 - Check the daytime running lamp control unit.
7. Upper-beam indicator lamp does not go on.
 - 1) Headlamp upper beams are operational.
 - Check dedicated fuse No. (12).
 - Check the indicator lamp bulb.

Ignition switch	Lighting switch	Dimmer/passing switch	Headlamp relay
"ON"	"OFF"	—	ON
—	"HEAD"	—	ON
—	—	"PASS"	ON

HEADLAMP LEVELING SYSTEM

1



Wire colour code
 B : Black LG: Light green G : Green L : Blue W : White Y : Yellow SB: Sky blue
 BR: Brown O : Orange GR: Gray R : Red P : Pink V : Violet

HEADLAMP LEVELING SYSTEM (See P. 4-96.)**OPERATION****1. Headlamps angle-downward operation**

- When the lighting switch is set to the "HEAD" position, the headlamp relay is switched ON, and battery voltage is applied, through the headlamp-leveling unit, to dedicated fuse No. (12).
- When the headlamp-leveling switch setting is changed from "0" to "1", the positive (+) input terminal voltage of the comparator OP AMP 1 (located within the headlamp-leveling unit) becomes greater than the negative (-) input terminal standard reference voltage value, and OP AMP 1 outputs HIGH signals to OP AMP 2 and OP AMP 3.
- As a result of these HIGH signals, OP AMP 2 outputs LOW signals and OP AMP 3 outputs HIGH signals to the motor-control IC.
- When this happens, the motor-control IC is switched ON, current flows to the motor, and the motor rotates in the forward direction.
- The rotation of the motor, after passing through the gears and the output shaft, causes the headlamp reflectors to move to a downward angle, thus changing the angle of headlamp illumination.
- At this time, the position-detection sliding resistance is activated in the direction of the low resistance value, after which the OP AMP 1 negative (-) input terminal voltage value and positive (+) input terminal voltage value become equivalent, and OP AMP 2 and OP AMP 3 both output HIGH signals.
- When this happens, the motor-control IC is switched OFF and the motor stops.

NOTE

- (1) The same operation occurs if the headlamp-leveling switch is set to another position.
- (2) The input open protection circuit functions to stop the operation of the motor if there is an abnormal condition, such as damaged or disconnected wiring within the headlamp-leveling unit or of the wiring harness.

2. Headlamps angle-upward operation

- The headlamp angle-upward operation is the opposite logic of the downward operation; the motor operates in the reverse direction and then stops.

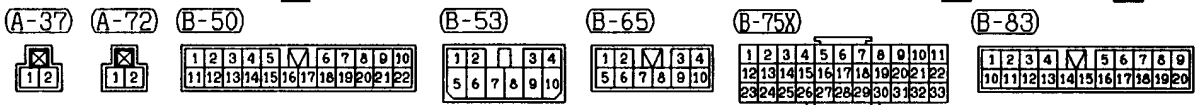
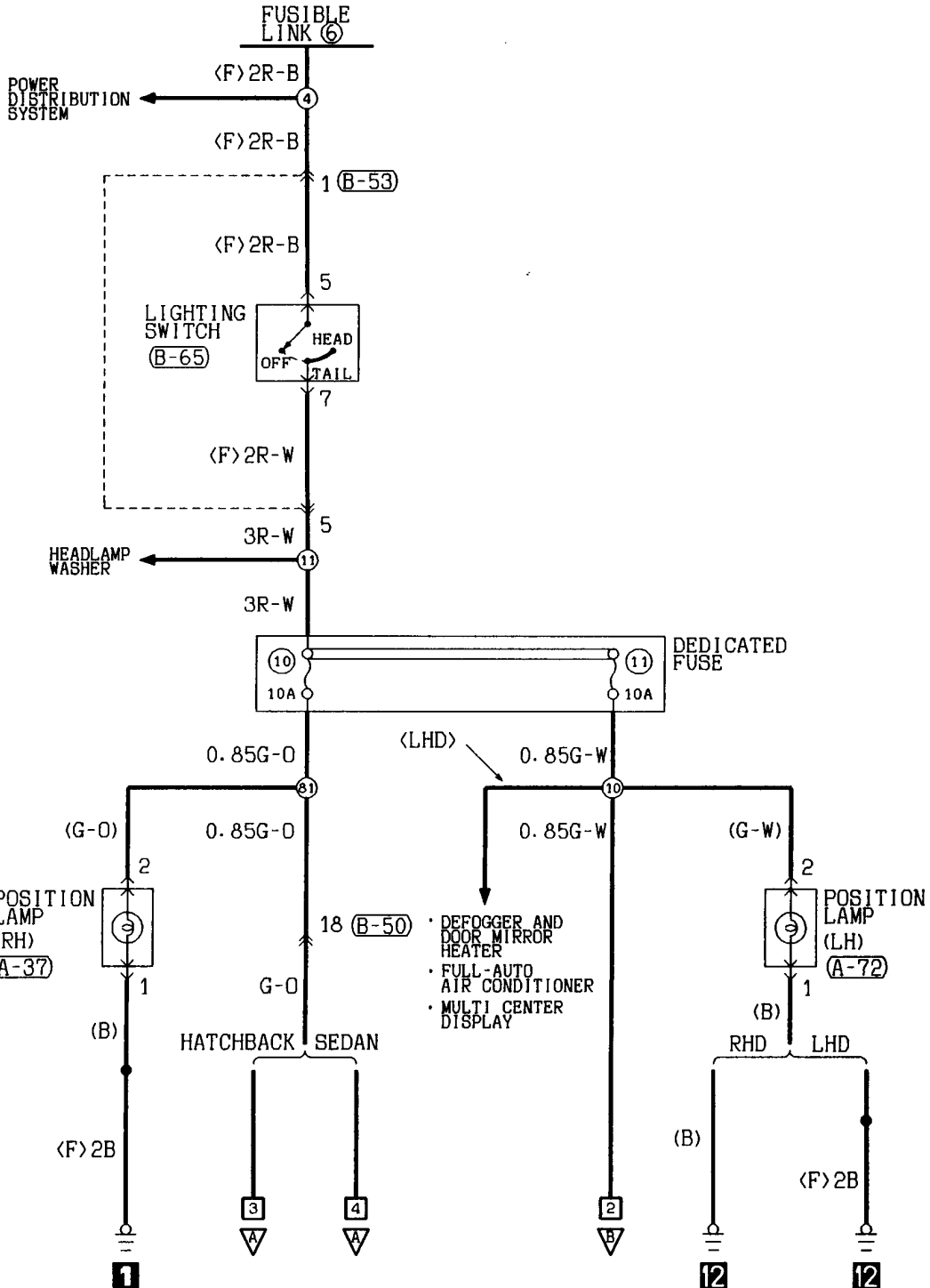
TROUBLESHOOTING HINTS

1. Absolutely no change of the headlamp angle
 - (1) The upper-beam indicator lamp illuminates.
 - Check the headlamp-leveling switch.
 - Check the headlamp-leveling unit.
 - (2) The upper-beam indicator lamp does not illuminate.
 - Check dedicated fuse No. (12).
2. There is one setting of the headlamp-leveling switch at which the headlamp angle does not change.
 - Check the headlamp-leveling switch.

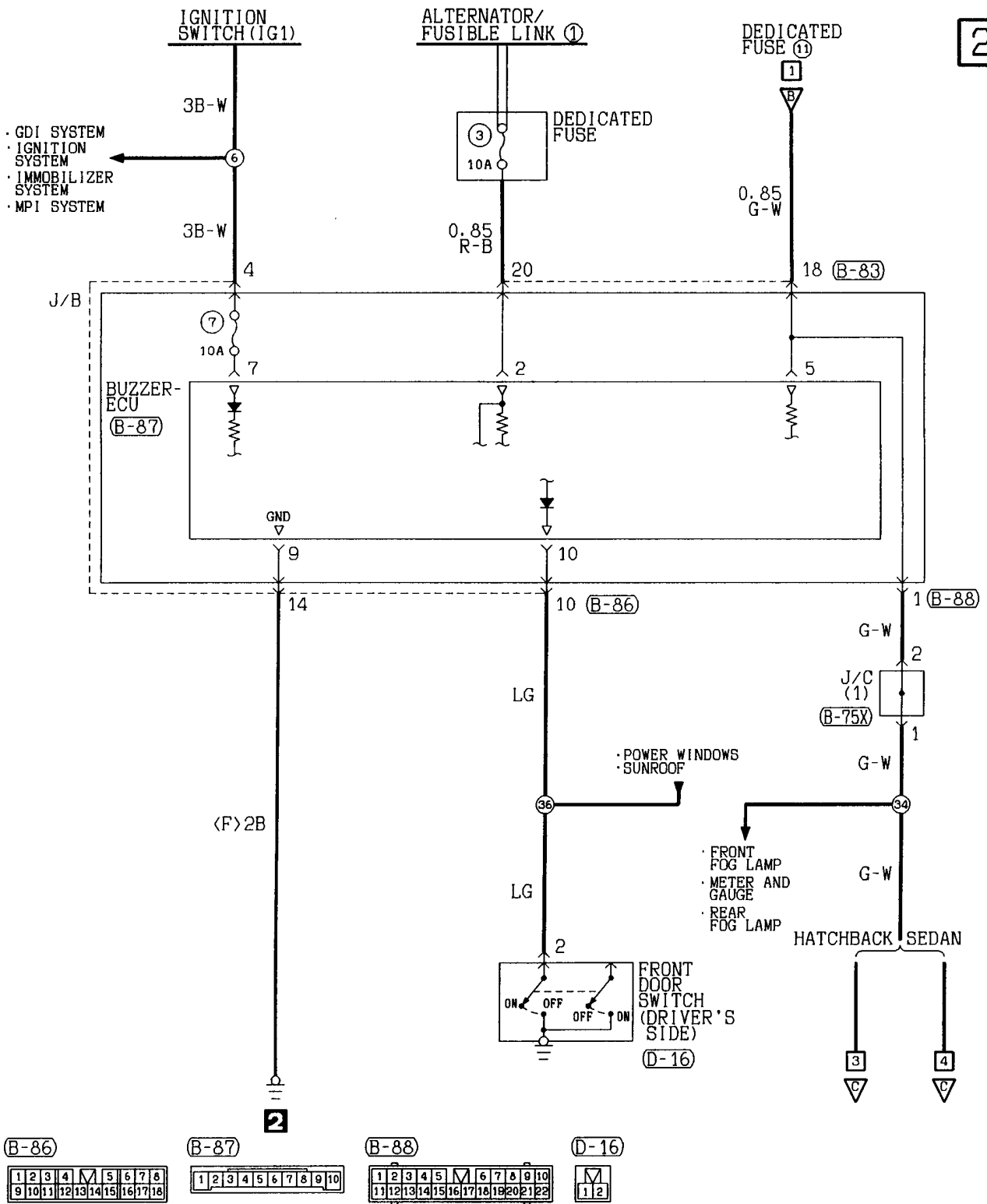
TAIL LAMP, POSITION LAMP, LICENCE PLATE LAMP AND LIGHTING MONITOR BUZZER

Vehicles without daytime running lamp

1

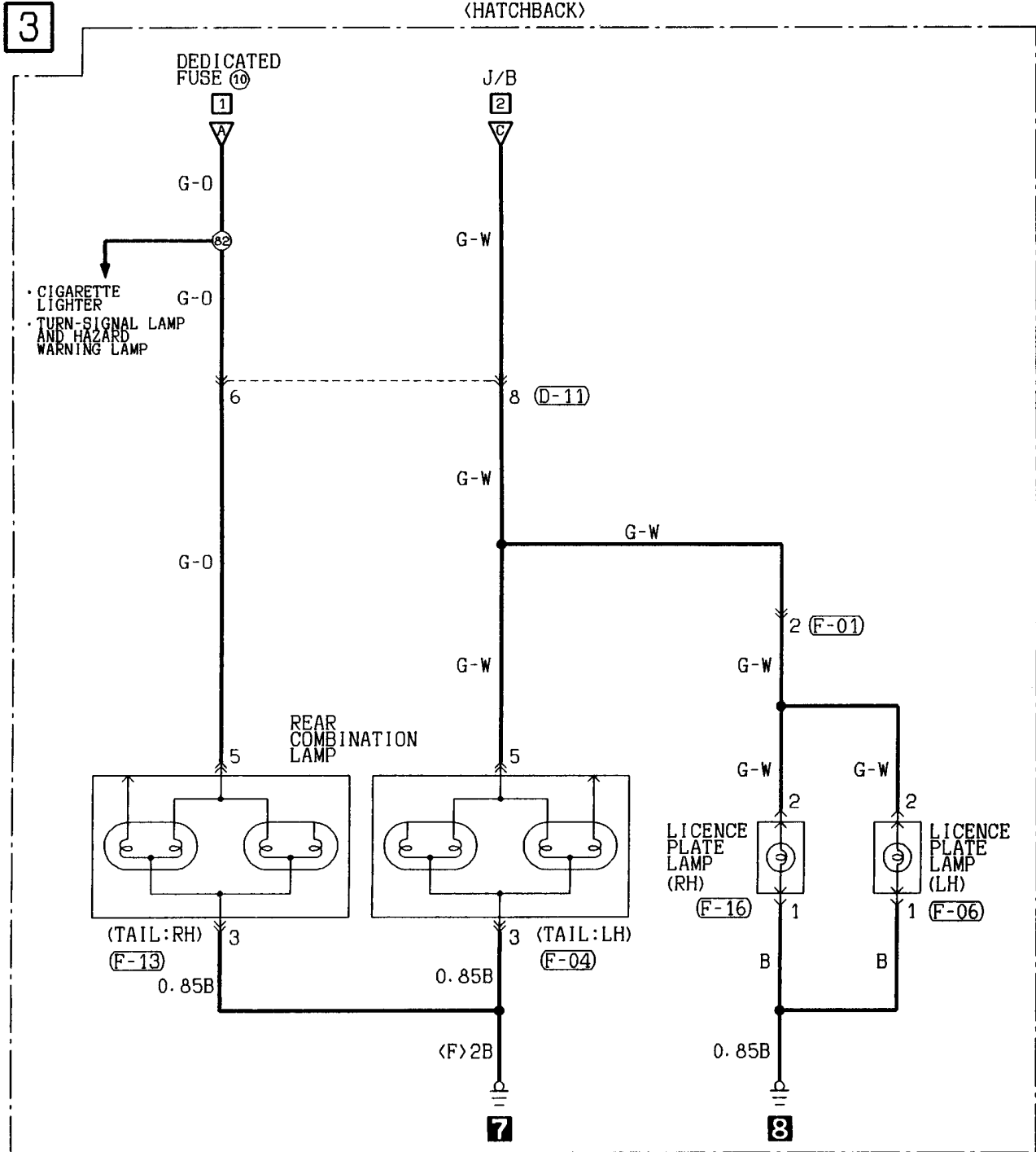


2

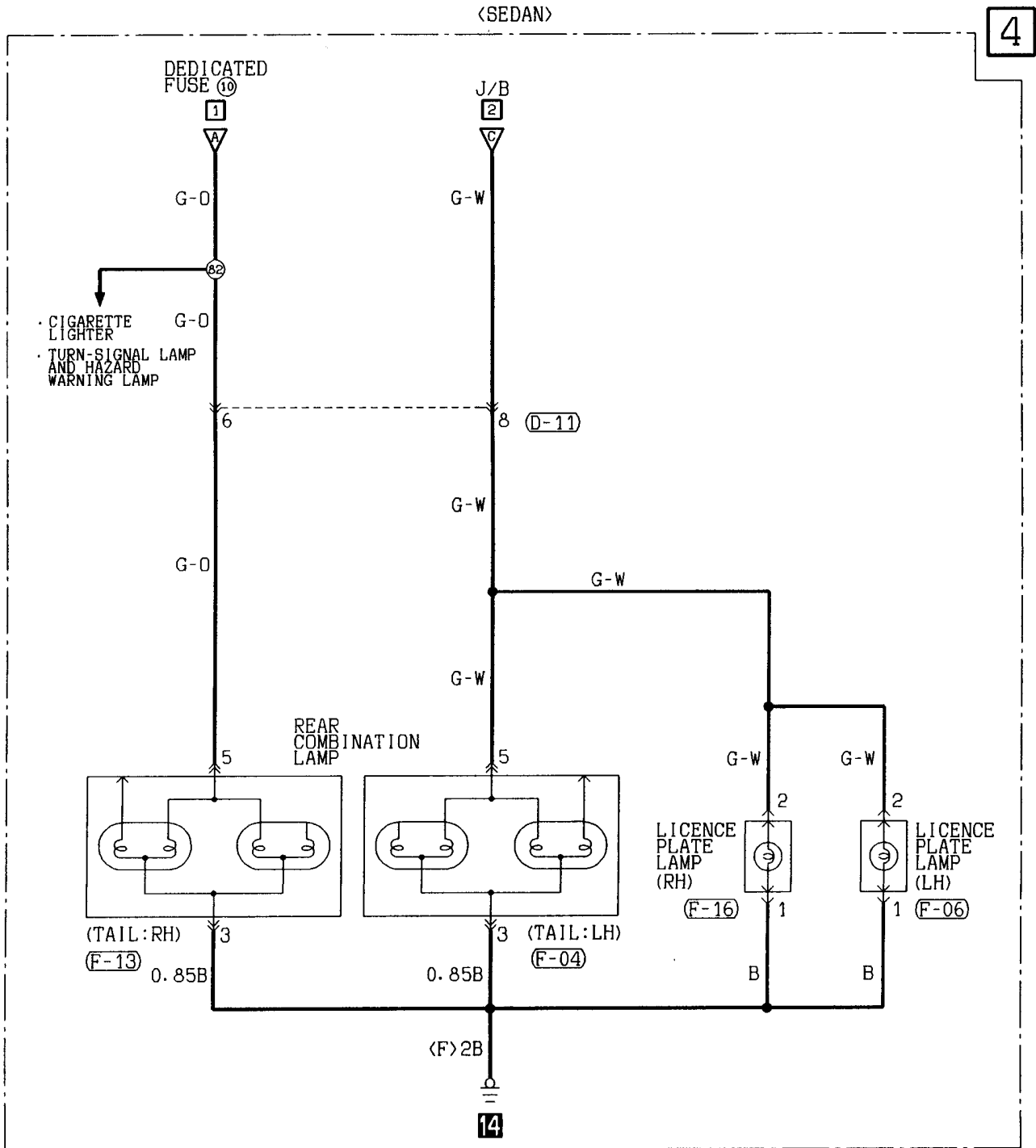


Wire colour code
 B : Black LG:Light green G : Green L : Blue W : White Y : Yellow SB:Sky blue
 BR:Brown O :Orange GR:Gray R :Red P :Pink V :Violet

TAIL LAMP, POSITION LAMP, LICENCE PLATE LAMP AND LIGHTING MONITOR BUZZER <Vehicles without daytime running lamp> (CONTINUED)



(D-11)	(F-01)	(F-04)	(F-06)	(F-13)	(F-16)																																																													
<table border="1"> <tr><td>1</td><td>2</td><td>3</td><td>4</td><td>5</td><td>6</td><td>7</td><td>8</td><td>9</td><td>10</td></tr> <tr><td>11</td><td>12</td><td>13</td><td>14</td><td>15</td><td>16</td><td>17</td><td>18</td><td>19</td><td>20</td></tr> <tr><td>21</td><td>22</td><td></td><td></td><td></td><td></td><td></td><td></td><td></td><td></td></tr> </table>	1	2	3	4	5	6	7	8	9	10	11	12	13	14	15	16	17	18	19	20	21	22									<table border="1"> <tr><td>1</td><td>2</td><td>3</td></tr> <tr><td>4</td><td>5</td><td>6</td></tr> <tr><td>7</td><td>8</td><td></td></tr> </table>	1	2	3	4	5	6	7	8		<table border="1"> <tr><td>1</td><td>2</td></tr> <tr><td>3</td><td>4</td></tr> <tr><td>5</td><td>6</td></tr> </table>	1	2	3	4	5	6	<table border="1"> <tr><td>1</td><td>2</td></tr> <tr><td>3</td><td>4</td></tr> <tr><td>5</td><td>6</td></tr> </table>	1	2	3	4	5	6	<table border="1"> <tr><td>1</td><td>2</td></tr> <tr><td>3</td><td>4</td></tr> <tr><td>5</td><td>6</td></tr> </table>	1	2	3	4	5	6	<table border="1"> <tr><td>1</td><td>2</td></tr> <tr><td></td><td></td></tr> </table>	1	2		
1	2	3	4	5	6	7	8	9	10																																																									
11	12	13	14	15	16	17	18	19	20																																																									
21	22																																																																	
1	2	3																																																																
4	5	6																																																																
7	8																																																																	
1	2																																																																	
3	4																																																																	
5	6																																																																	
1	2																																																																	
3	4																																																																	
5	6																																																																	
1	2																																																																	
3	4																																																																	
5	6																																																																	
1	2																																																																	



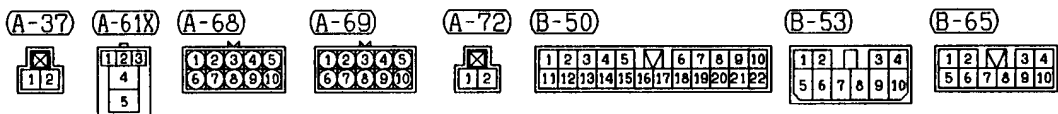
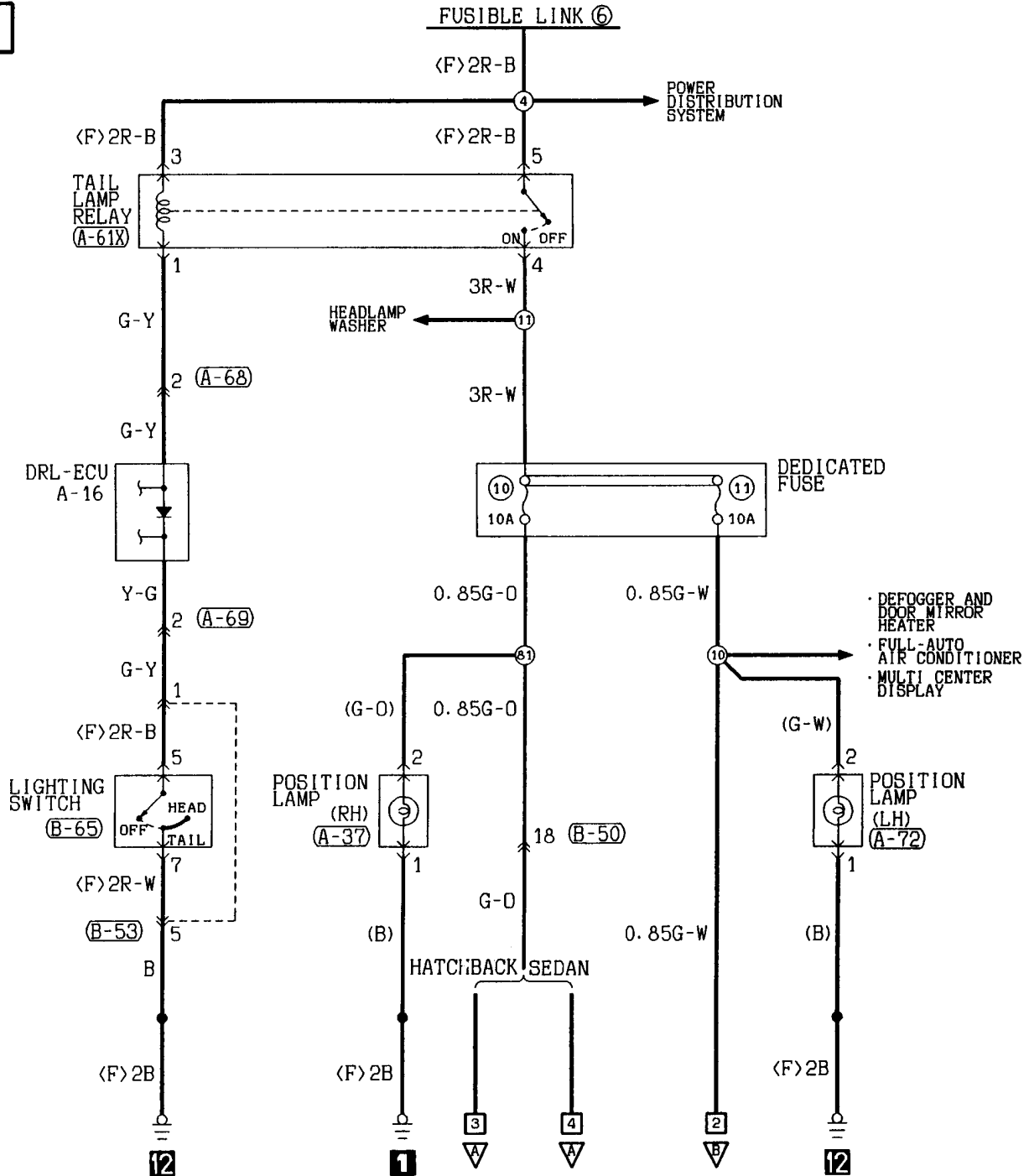
4

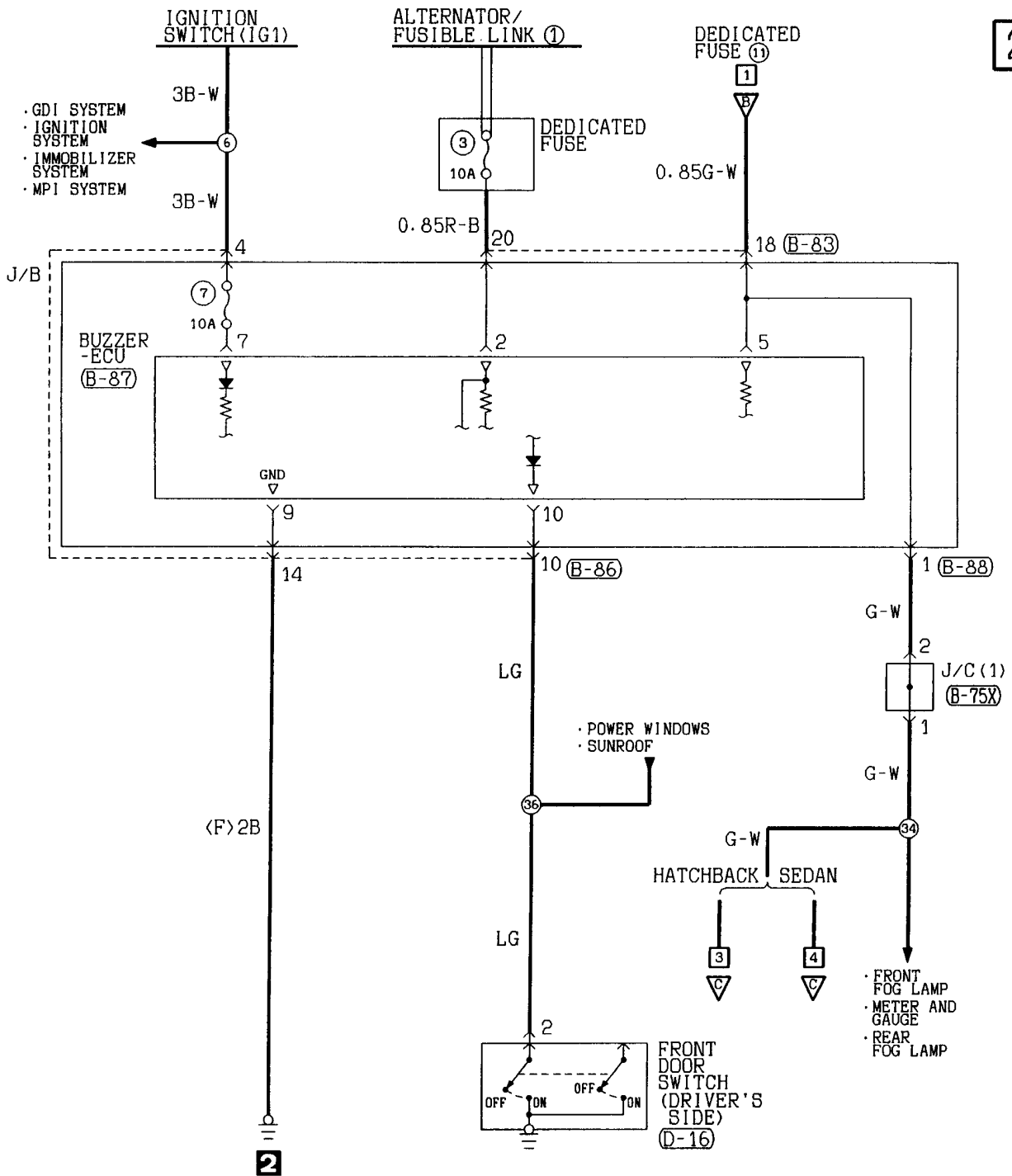
Wire colour code
 B : Black LG : Light green G : Green L : Blue W : White Y : Yellow SB : Sky blue
 BR : Brown O : Orange GR : Gray R : Red P : Pink V : Violet

TAIL LAMP, POSITION LAMP, LICENCE PLATE LAMP AND LIGHTING MONITOR BUZZER

Vehicles with daytime running lamp

1





2

(B-75X)

1	2	3	4	5	6	7	8	9	10	11
12	13	14	15	16	17	18	19	20	21	22
23	24	25	26	27	28	29	30	31	32	33

(B-83)

1	2	3	4	M	5	6	7	8	9	
10	11	12	13	14	15	16	17	18	19	20

(B-86)

1	2	3	4	M	5	6	7	8	
9	10	11	12	13	14	15	16	17	18

(B-87)

1	2	3	4	5	6	7	8	9	10
---	---	---	---	---	---	---	---	---	----

(B-88)

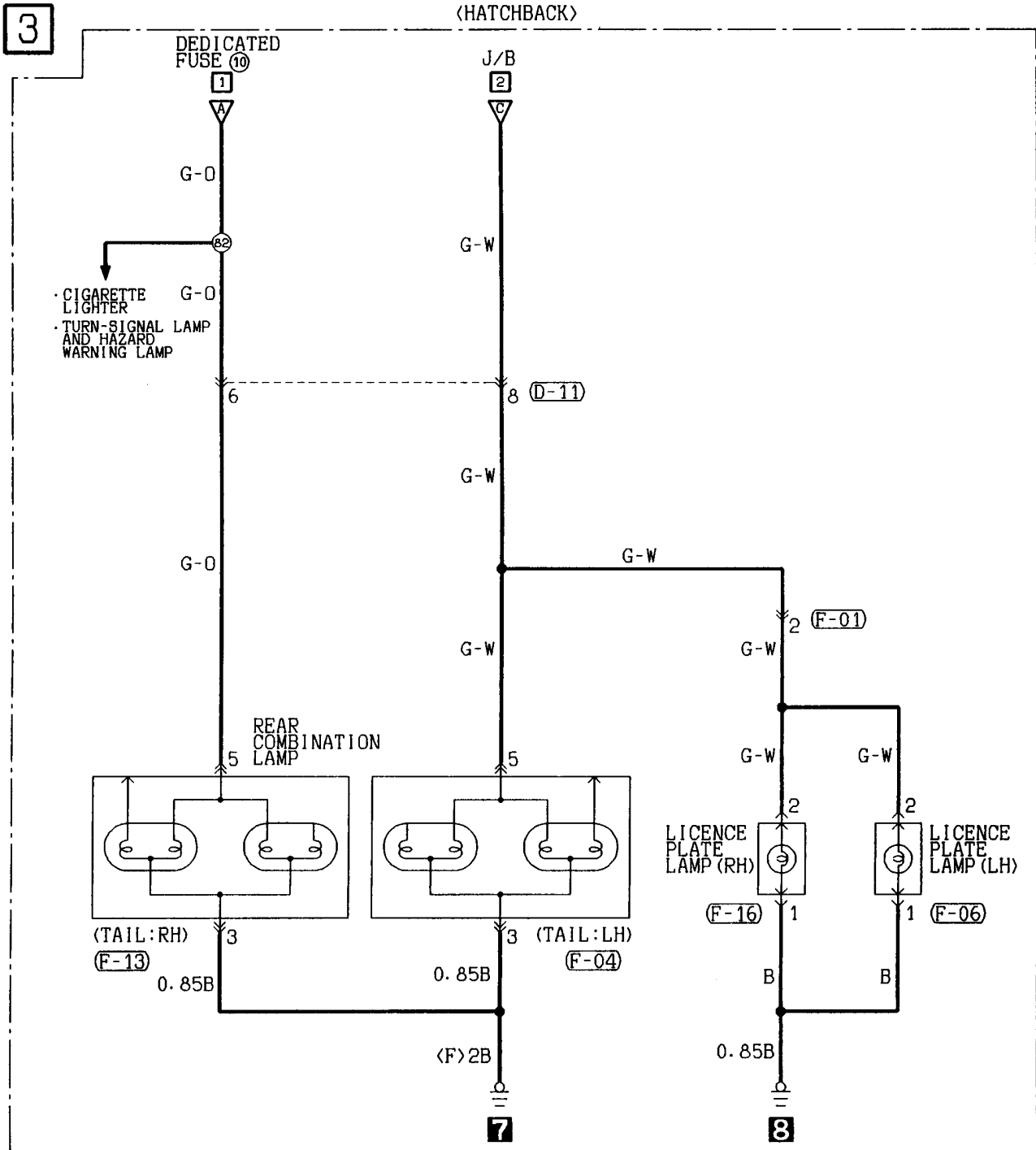
1	2	3	4	5	M	6	7	8	9	10	
11	12	13	14	15	16	17	18	19	20	21	22

(D-16)

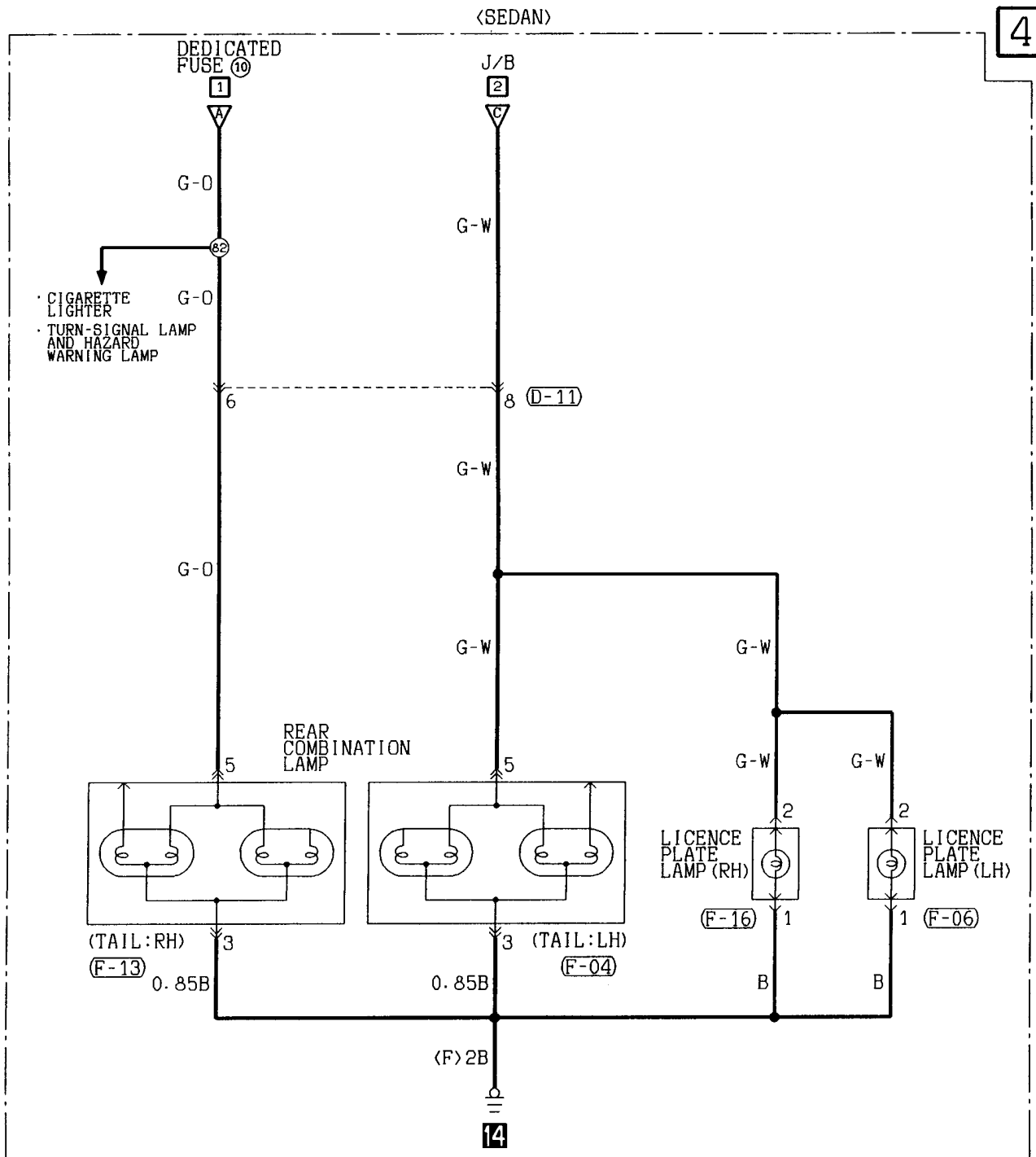
M	1	2
---	---	---

Wire colour code
 B : Black LG: Light green G : Green L : Blue W : White Y : Yellow SB: Sky blue
 BR: Brown O : Orange GR: Gray R : Red P : Pink V : Violet

TAIL LAMP, POSITION LAMP, LICENCE PLATE LAMP AND LIGHTING MONITOR BUZZER <Vehicles with daytime running lamp> (CONTINUED)



(D-11)	(F-01)	(F-04)	(F-06)	(F-13)	(F-16)																																														
<table border="1"> <tr><td>1</td><td>2</td><td>3</td><td>4</td><td>5</td><td>6</td><td>7</td><td>8</td><td>9</td><td>10</td></tr> <tr><td>11</td><td>12</td><td>13</td><td>14</td><td>15</td><td>16</td><td>17</td><td>18</td><td>19</td><td>20</td><td>21</td><td>22</td></tr> </table>	1	2	3	4	5	6	7	8	9	10	11	12	13	14	15	16	17	18	19	20	21	22	<table border="1"> <tr><td>1</td><td>2</td><td>3</td></tr> <tr><td>4</td><td>5</td><td>6</td><td>7</td><td>8</td></tr> </table>	1	2	3	4	5	6	7	8	<table border="1"> <tr><td>1</td><td>2</td></tr> <tr><td>3</td><td>4</td><td>5</td></tr> </table>	1	2	3	4	5	<table border="1"> <tr><td>1</td></tr> <tr><td>2</td></tr> </table>	1	2	<table border="1"> <tr><td>1</td><td>2</td></tr> <tr><td>3</td><td>4</td><td>5</td></tr> </table>	1	2	3	4	5	<table border="1"> <tr><td>1</td><td>2</td></tr> <tr><td>1</td><td>2</td></tr> </table>	1	2	1	2
1	2	3	4	5	6	7	8	9	10																																										
11	12	13	14	15	16	17	18	19	20	21	22																																								
1	2	3																																																	
4	5	6	7	8																																															
1	2																																																		
3	4	5																																																	
1																																																			
2																																																			
1	2																																																		
3	4	5																																																	
1	2																																																		
1	2																																																		



Wire colour code
 B :Black LG:Light green G :Green L :Blue W :White Y :Yellow SB:Sky blue
 BR:Brown O :Orange GR:Gray R :Red P :Pink V :Violet

TAIL LAMP, POSITION LAMP, LICENCE PLATE LAMP AND LIGHTING MONITOR BUZZER (See P. 4-98, 102.)**OPERATION**

1. **Vehicles without daytime running lamp.**
 - When the lighting switch is turned to the "TAIL" or "HEAD" position, current is supplied to each lamp, causing them to illuminate.
2. **Vehicles with daytime running lamp.**
 - Placing the lighting switch in the "TAIL" or "HEAD" position causes the tail lamp relay to be energized. If the ignition switch is turned to the "ON" position, the tail lamp relay normally is always "ON".
 - As a result, current flows by way of dedicated fuse No. (10) and No. (11) to each lamp, causing the lamp to go on.

<Lighting monitor buzzer operation>

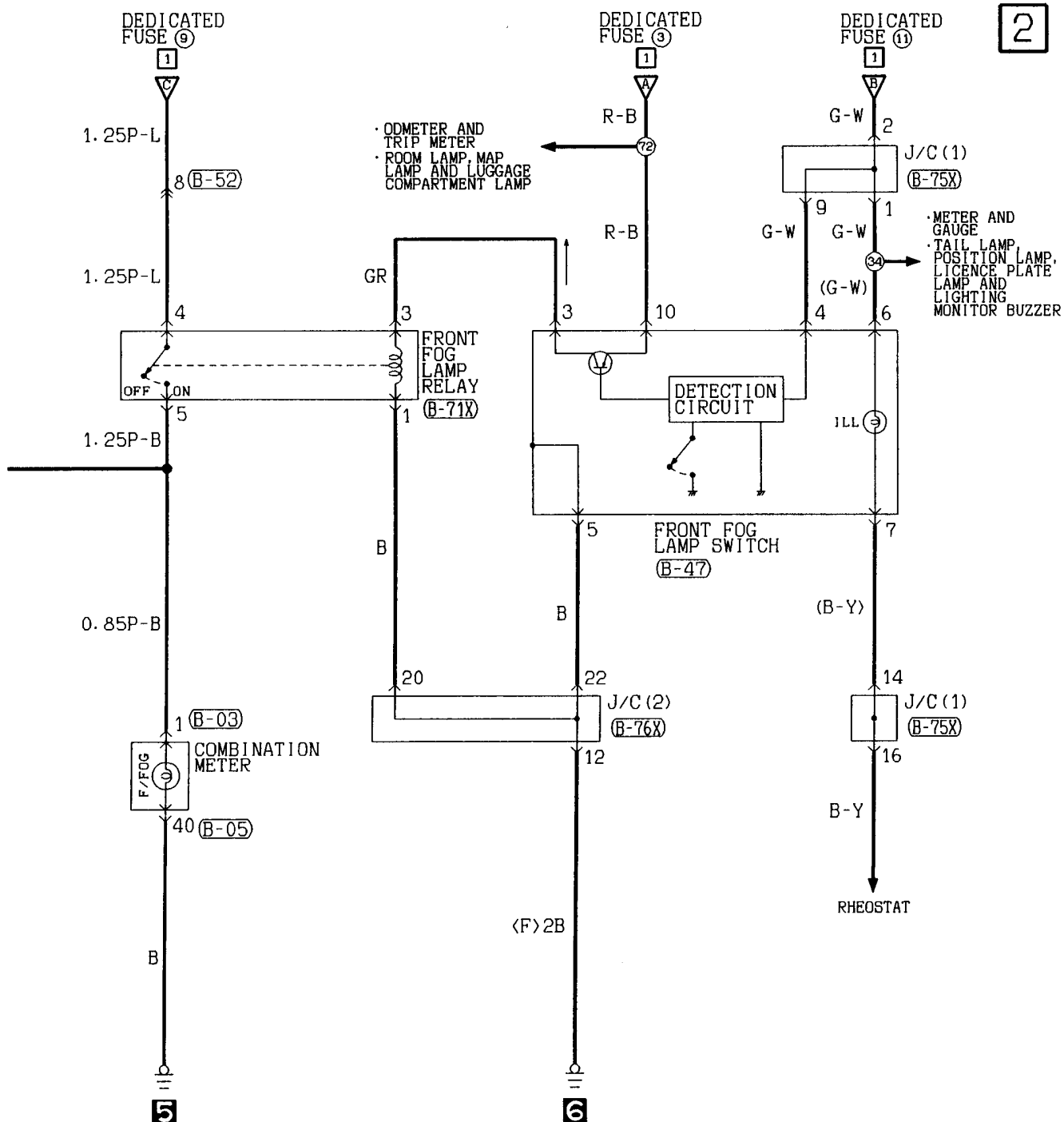
- When the lighting switch is in the "TAIL" or "HEAD" position, if the ignition switch is turned to the "ACC" or "LOCK" position or if the ignition key is removed, the lighting monitor buzzer will sound when the driver's side door is opened as a warning to the driver.

TROUBLESHOOTING HINTS

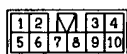
1. No lamp go on.
 - 1) Headlamps do not go on, either.
 - Check fusible link No. (6).
 - 2) Headlamps go on.
 - Check tail lamp relay.
 - Check dedicated fuse No. (10) and No. (11).
2. Lighting monitor buzzer does not sound.
 - 1) Tail lamps go on.
 - Check lighting monitor buzzer.
 - Check front door switch (driver's side).

NOTES

2



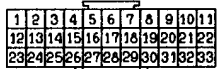
(B-65)



(B-71X)



(B-75X)



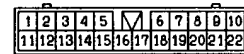
(B-76X)



(B-83)



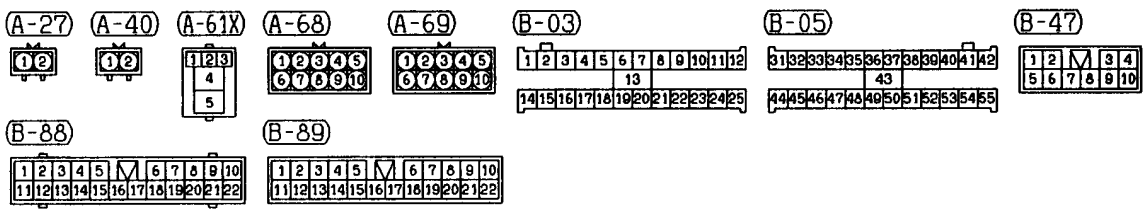
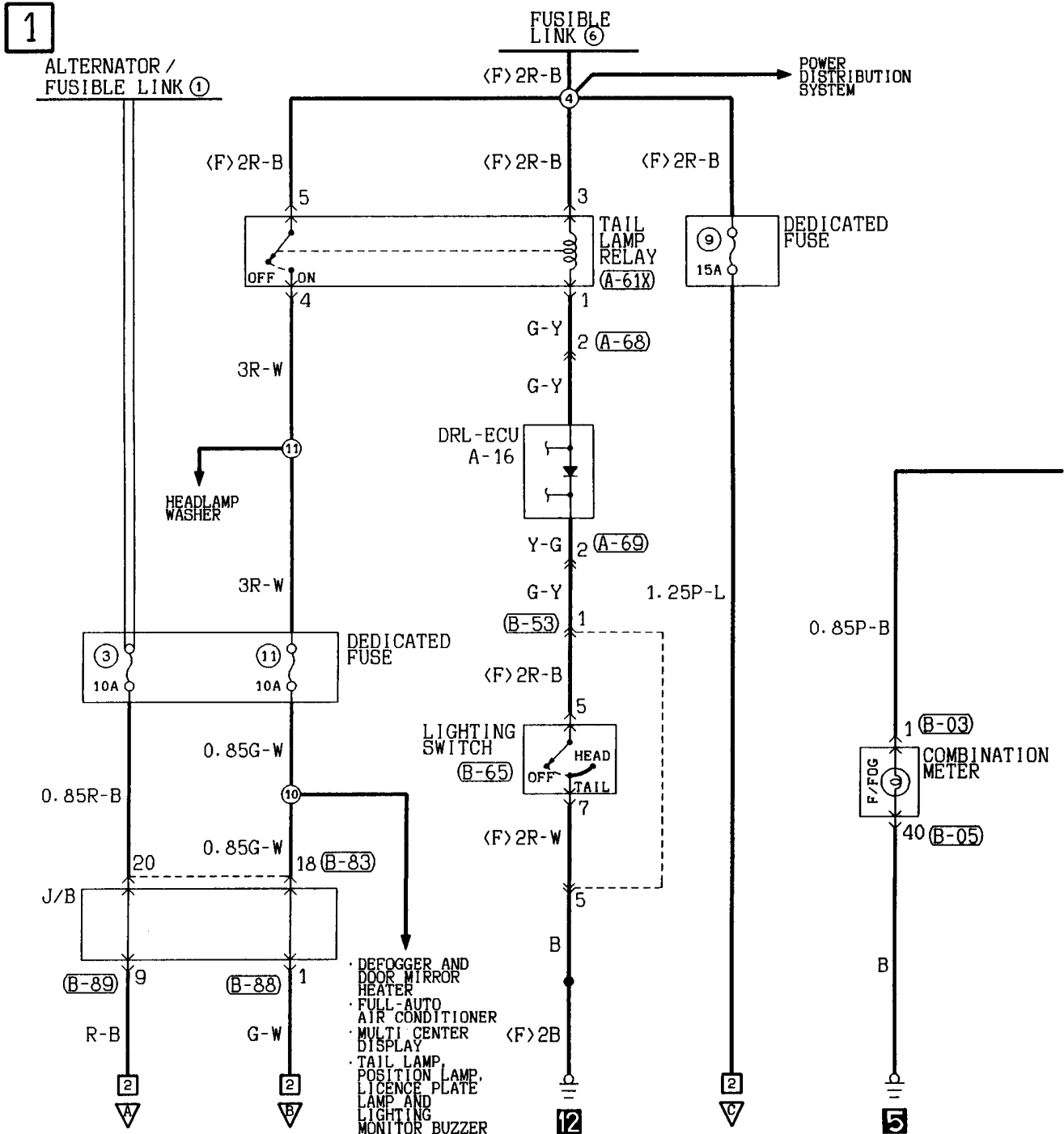
(B-88)



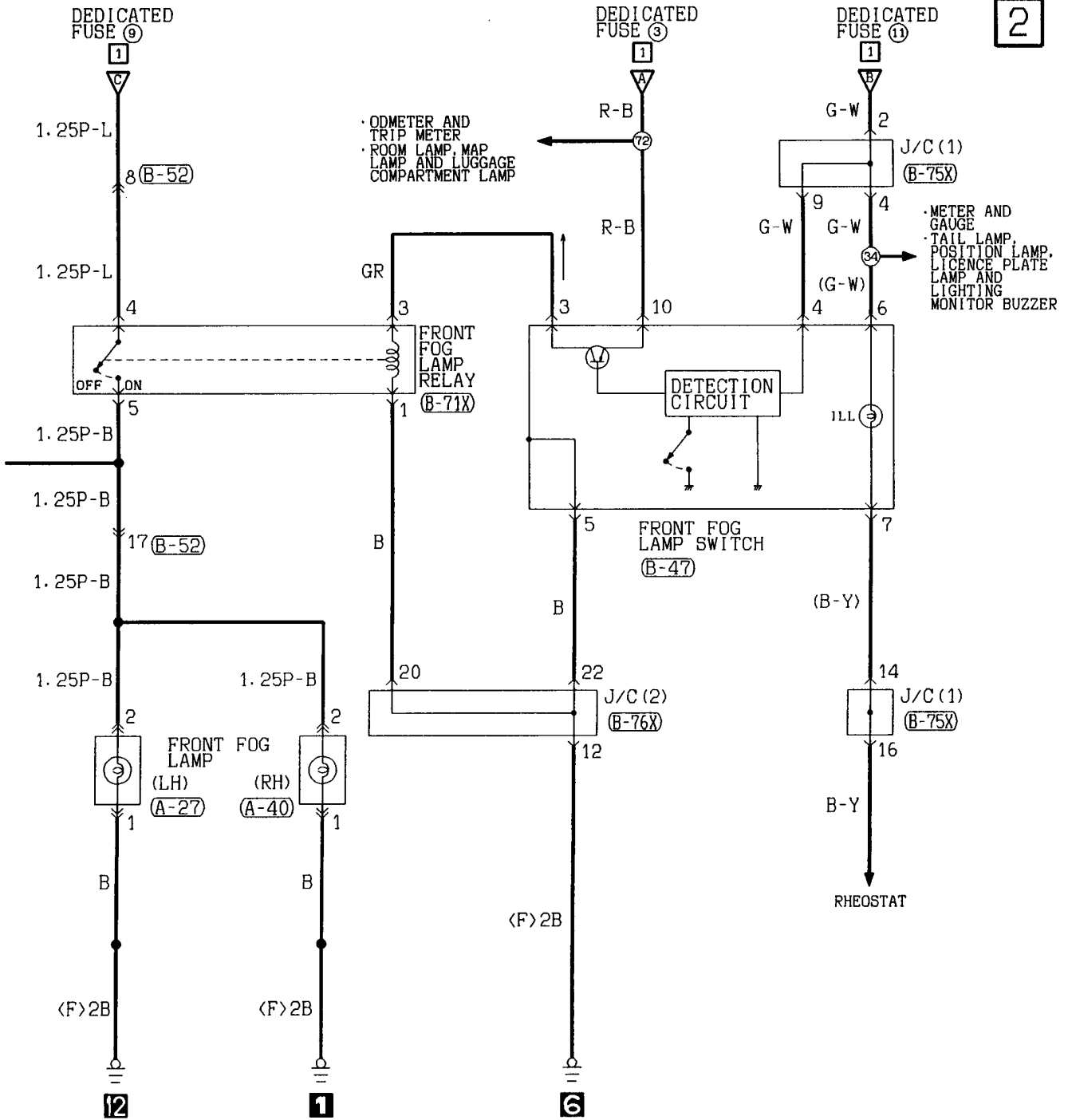
Wire colour code
 B : Black LG: Light green G : Green L : Blue W : White Y : Yellow SB: Sky blue
 BR: Brown O : Orange GR: Gray R : Red P : Pink V : Violet

FRONT FOG LAMP

Vehicles with daytime running lamp



2

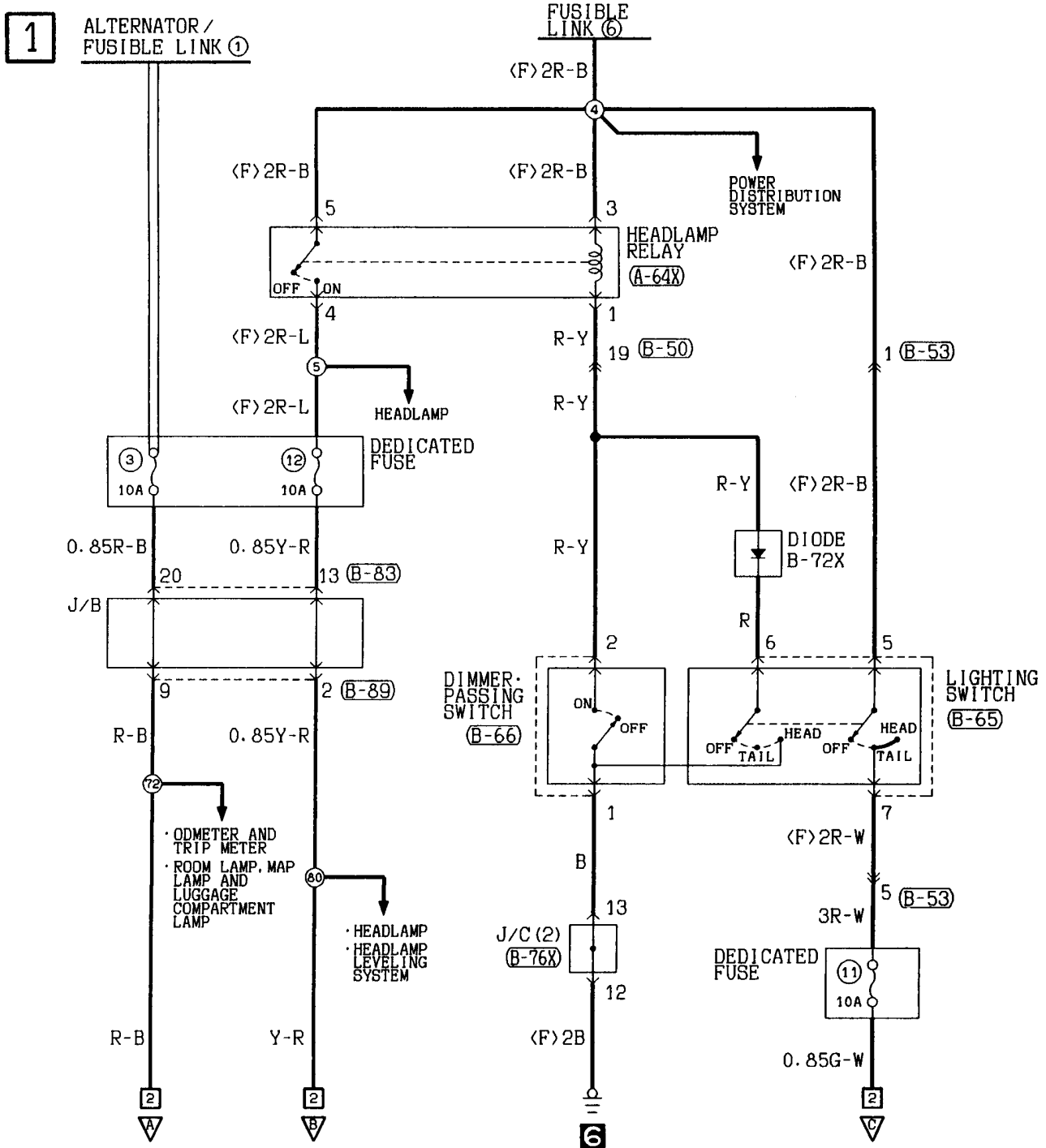


(B-52)	(B-53)	(B-65)	(B-71X)	(B-75X)	(B-76X)	(B-83)
1 2 3 4 M 5 6 7 8 9 10 11 12 13 14 15 16 17 18	1 2 3 4 5 6 7 8 9 10	1 2 3 4 5 6 7 8 9 10	1 2 3 4 5	1 2 3 4 5 6 7 8 9 10 11 12 13 14 15 16 17 18 19 20 21 22 23 24 25 26 27 28 29 30 31 32 33	1 2 3 4 5 6 7 8 9 10 11 12 13 14 15 16 17 18 19 20 21 22 23 24 25 26 27 28 29 30 31 32 33	1 2 3 4 M 5 6 7 8 9 10 11 12 13 14 15 16 17 18 19 20

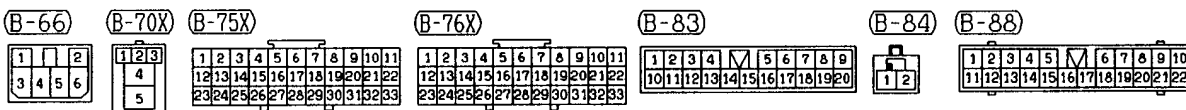
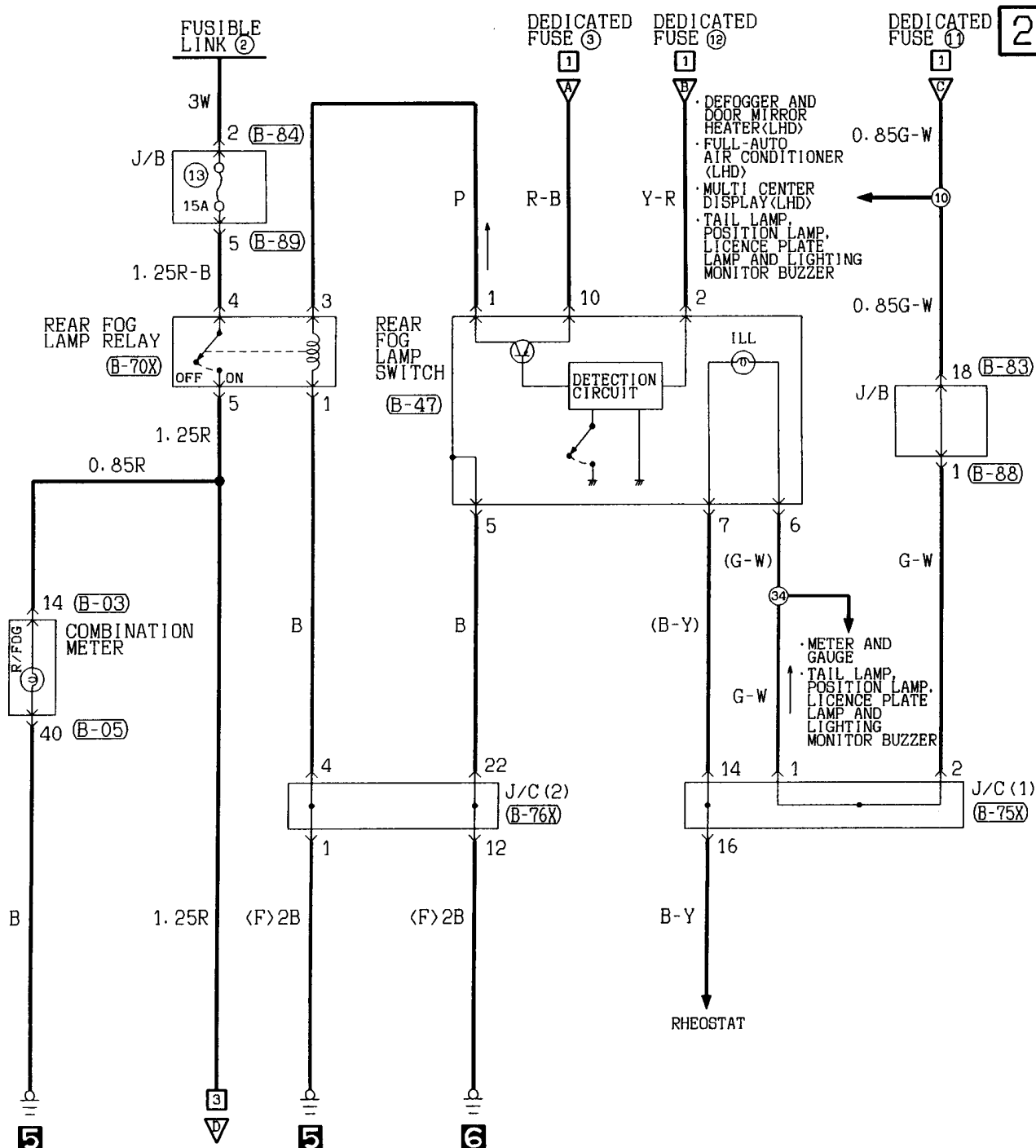
Wire colour code
 B : Black LG: Light green G : Green L : Blue W : White Y : Yellow SB: Sky blue
 BR: Brown O : Orange GR: Gray R : Red P : Pink V : Violet

REAR FOG LAMP

Vehicles without daytime running lamp



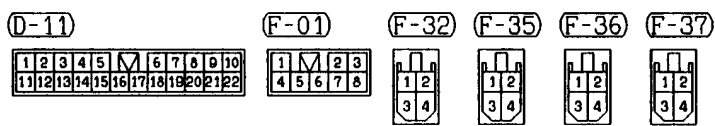
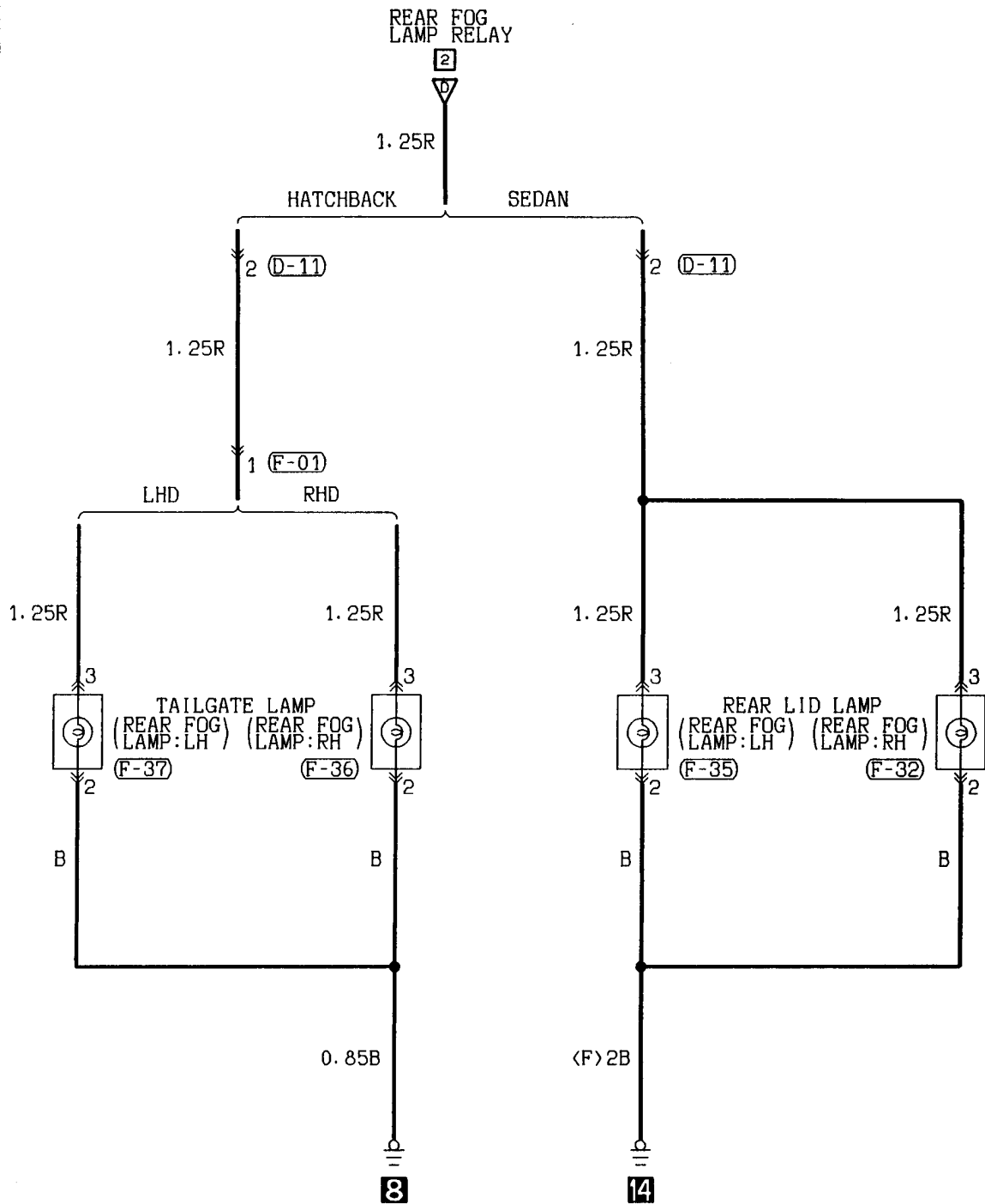
(A-64X)	(B-03)	(B-05)	(B-47)	(B-50)	(B-53)	(B-65)																																																																																																																																																			
<table border="1"> <tr><td>1</td><td>2</td><td>3</td></tr> <tr><td>4</td><td></td><td></td></tr> <tr><td>5</td><td></td><td></td></tr> </table>	1	2	3	4			5			<table border="1"> <tr><td>1</td><td>2</td><td>3</td><td>4</td><td>5</td><td>6</td><td>7</td><td>8</td><td>9</td><td>10</td><td>11</td><td>12</td></tr> <tr><td></td><td></td><td></td><td></td><td></td><td>13</td><td></td><td></td><td></td><td></td><td></td><td></td></tr> <tr><td>14</td><td>15</td><td>16</td><td>17</td><td>18</td><td>19</td><td>20</td><td>21</td><td>22</td><td>23</td><td>24</td><td>25</td></tr> </table>	1	2	3	4	5	6	7	8	9	10	11	12						13							14	15	16	17	18	19	20	21	22	23	24	25	<table border="1"> <tr><td>31</td><td>32</td><td>33</td><td>34</td><td>35</td><td>36</td><td>37</td><td>38</td><td>39</td><td>40</td><td>41</td><td>42</td></tr> <tr><td></td><td></td><td></td><td></td><td></td><td></td><td></td><td>43</td><td></td><td></td><td></td><td></td></tr> <tr><td>44</td><td>45</td><td>46</td><td>47</td><td>48</td><td>49</td><td>50</td><td>51</td><td>52</td><td>53</td><td>54</td><td>55</td></tr> </table>	31	32	33	34	35	36	37	38	39	40	41	42								43					44	45	46	47	48	49	50	51	52	53	54	55	<table border="1"> <tr><td>1</td><td>2</td><td>3</td><td>4</td></tr> <tr><td>5</td><td>6</td><td>7</td><td>8</td></tr> <tr><td>9</td><td>10</td><td></td><td></td></tr> </table>	1	2	3	4	5	6	7	8	9	10			<table border="1"> <tr><td>1</td><td>2</td><td>3</td><td>4</td><td>5</td><td>6</td><td>7</td><td>8</td><td>9</td><td>10</td></tr> <tr><td>11</td><td>12</td><td>13</td><td>14</td><td>15</td><td>16</td><td>17</td><td>18</td><td>19</td><td>20</td></tr> <tr><td>21</td><td>22</td><td></td><td></td><td></td><td></td><td></td><td></td><td></td><td></td></tr> </table>	1	2	3	4	5	6	7	8	9	10	11	12	13	14	15	16	17	18	19	20	21	22									<table border="1"> <tr><td>1</td><td>2</td><td>3</td><td>4</td></tr> <tr><td>5</td><td>6</td><td>7</td><td>8</td></tr> <tr><td>9</td><td>10</td><td></td><td></td></tr> </table>	1	2	3	4	5	6	7	8	9	10			<table border="1"> <tr><td>1</td><td>2</td><td>3</td><td>4</td></tr> <tr><td>5</td><td>6</td><td>7</td><td>8</td></tr> <tr><td>9</td><td>10</td><td></td><td></td></tr> </table>	1	2	3	4	5	6	7	8	9	10		
1	2	3																																																																																																																																																							
4																																																																																																																																																									
5																																																																																																																																																									
1	2	3	4	5	6	7	8	9	10	11	12																																																																																																																																														
					13																																																																																																																																																				
14	15	16	17	18	19	20	21	22	23	24	25																																																																																																																																														
31	32	33	34	35	36	37	38	39	40	41	42																																																																																																																																														
							43																																																																																																																																																		
44	45	46	47	48	49	50	51	52	53	54	55																																																																																																																																														
1	2	3	4																																																																																																																																																						
5	6	7	8																																																																																																																																																						
9	10																																																																																																																																																								
1	2	3	4	5	6	7	8	9	10																																																																																																																																																
11	12	13	14	15	16	17	18	19	20																																																																																																																																																
21	22																																																																																																																																																								
1	2	3	4																																																																																																																																																						
5	6	7	8																																																																																																																																																						
9	10																																																																																																																																																								
1	2	3	4																																																																																																																																																						
5	6	7	8																																																																																																																																																						
9	10																																																																																																																																																								
(B-89)																																																																																																																																																									
<table border="1"> <tr><td>1</td><td>2</td><td>3</td><td>4</td><td>5</td><td>6</td><td>7</td><td>8</td><td>9</td><td>10</td></tr> <tr><td>11</td><td>12</td><td>13</td><td>14</td><td>15</td><td>16</td><td>17</td><td>18</td><td>19</td><td>20</td></tr> <tr><td>21</td><td>22</td><td></td><td></td><td></td><td></td><td></td><td></td><td></td><td></td></tr> </table>	1	2	3	4	5	6	7	8	9	10	11	12	13	14	15	16	17	18	19	20	21	22																																																																																																																																			
1	2	3	4	5	6	7	8	9	10																																																																																																																																																
11	12	13	14	15	16	17	18	19	20																																																																																																																																																
21	22																																																																																																																																																								



Wire colour code
 B :Black LG:Light green G:Green L :Blue W :White Y :Yellow SB:Sky blue
 BR:Brown O :Orange GR:Gray R :Red P :Pink V :Violet

REAR FOG LAMP <Vehicles without daytime running lamp> (CONTINUED)

3



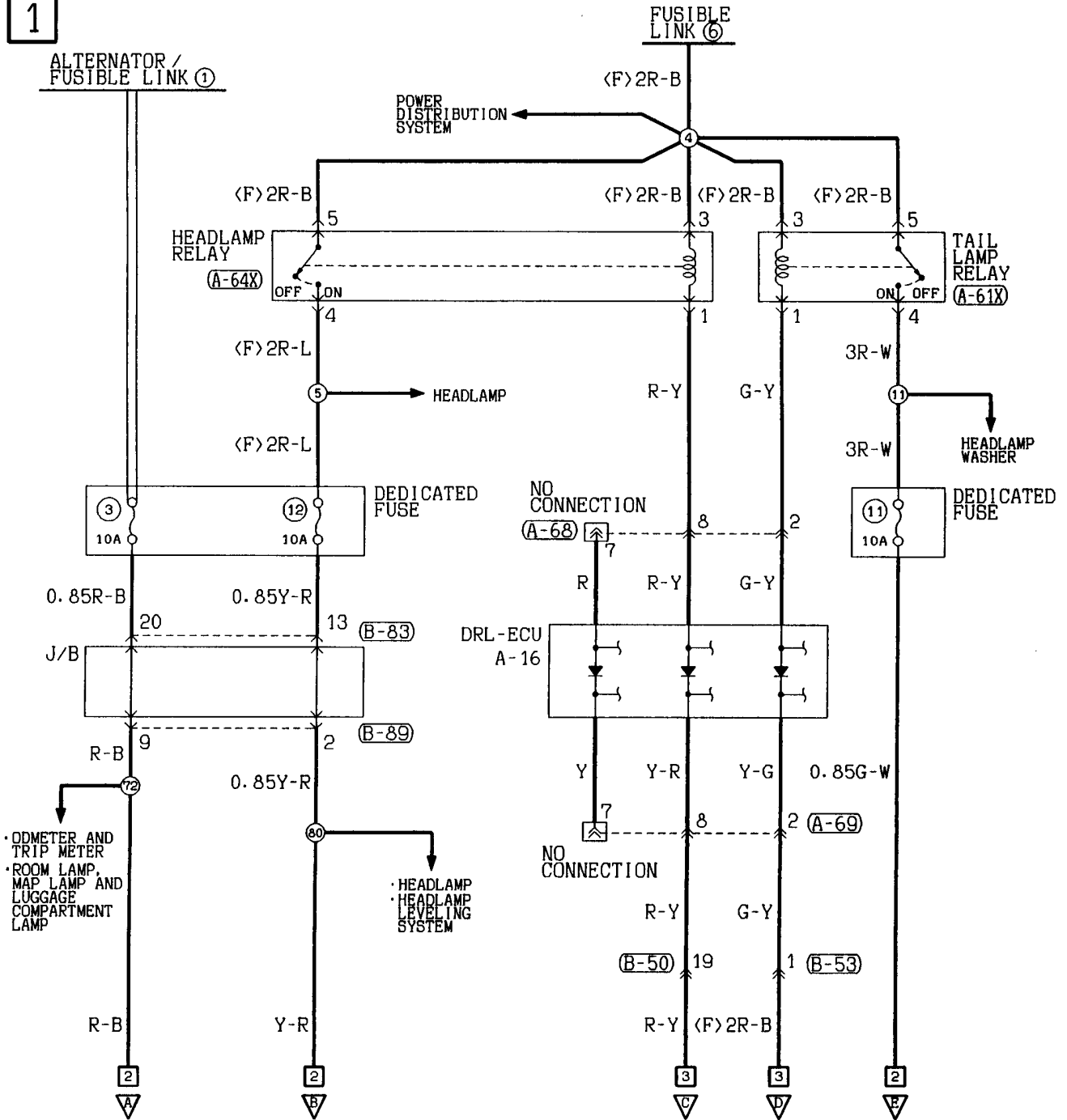
Wire colour code
 B : Black LG : Light green G : Green L : Blue W : White Y : Yellow SB : Sky blue
 BR : Brown O : Orange GR : Gray R : Red P : Pink V : Violet

NOTES

REAR FOG LAMP

Vehicles with daytime running lamp

1



(A-61X)

(A-64X)

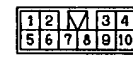
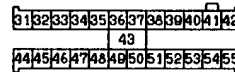
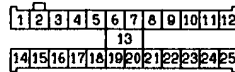
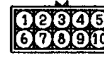
(A-68)

(A-69)

(B-03)

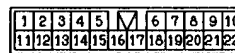
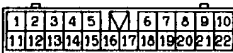
(B-05)

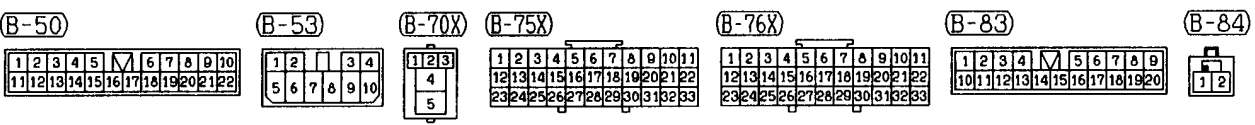
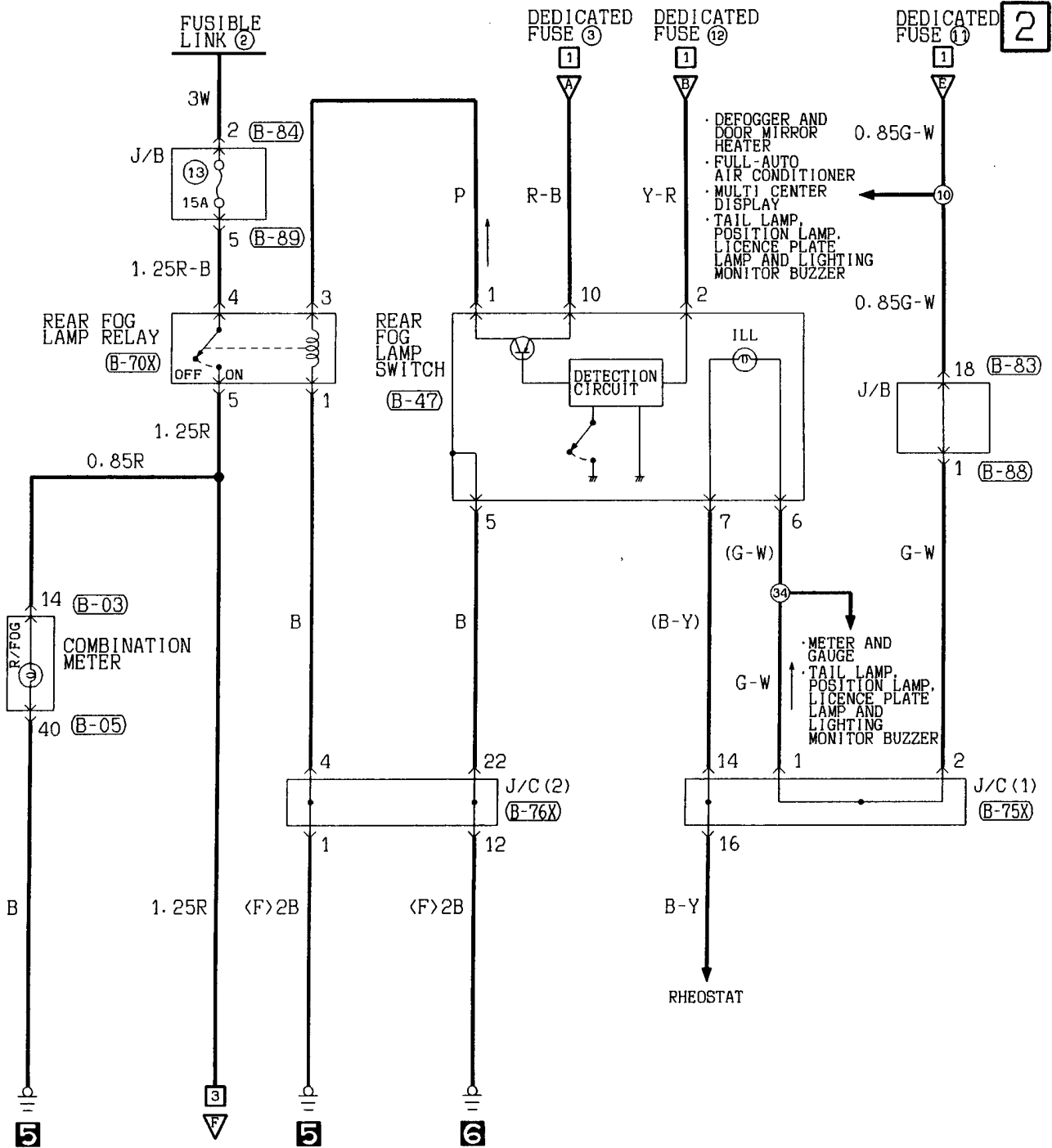
(B-47)



(B-88)

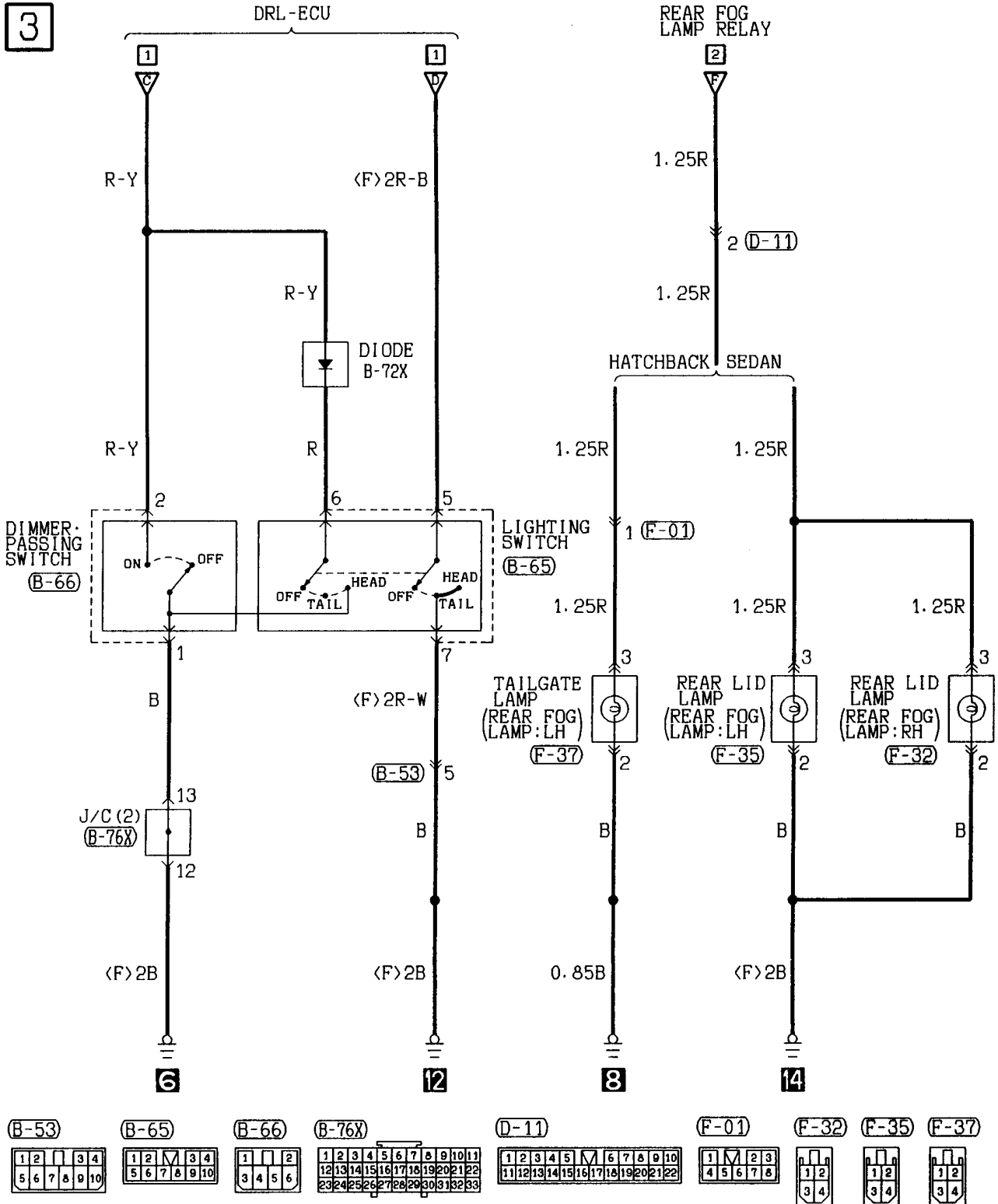
(B-89)





Wire colour code
 B :Black LG:Light green G:Green L :Blue W :White Y :Yellow SB:Sky blue
 BR:Brown O :Orange GR:Gray R :Red P :Pink V :Violet

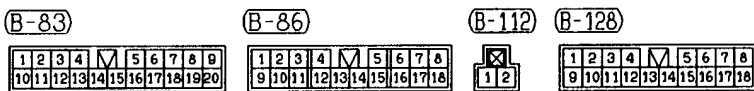
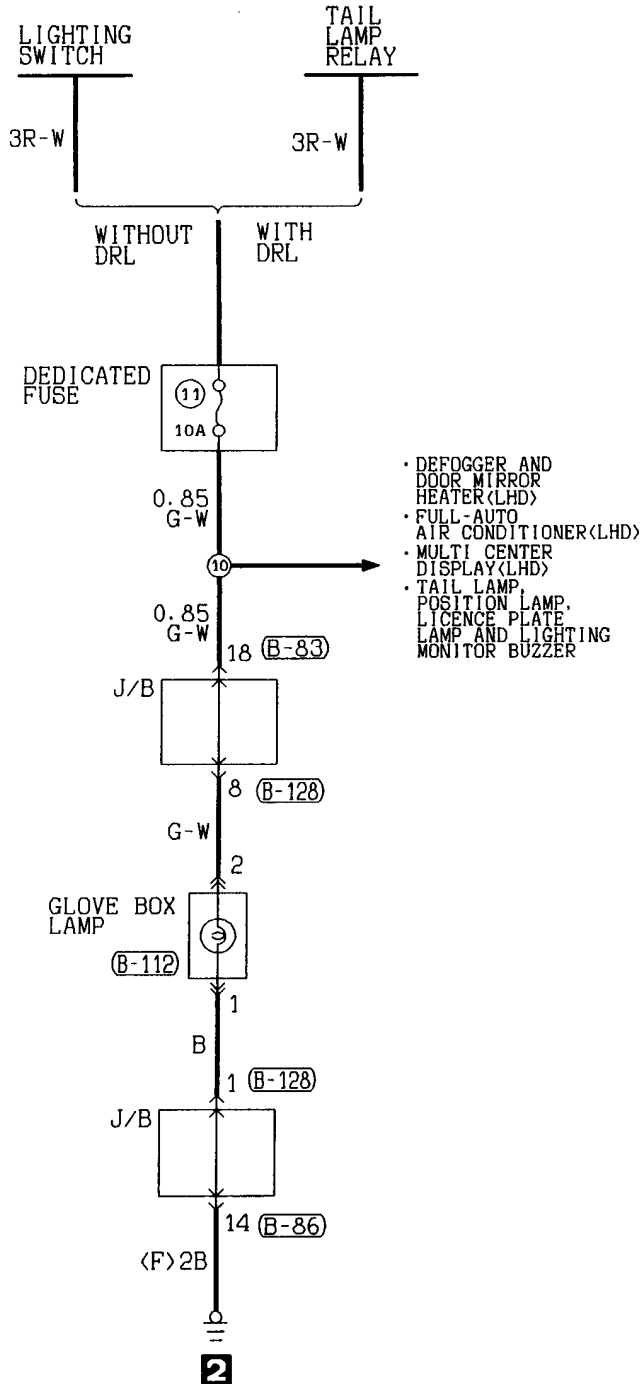
REAR FOG LAMP <Vehicles with daytime running lamp> (CONTINUED)



Wire colour code
 B :Black LG:Light green G :Green L :Blue W :White Y :Yellow SB:Sky blue
 BR:Brown O :Orange GR:Gray R :Red P :Pink V :Violet

GLOVE BOX LAMP

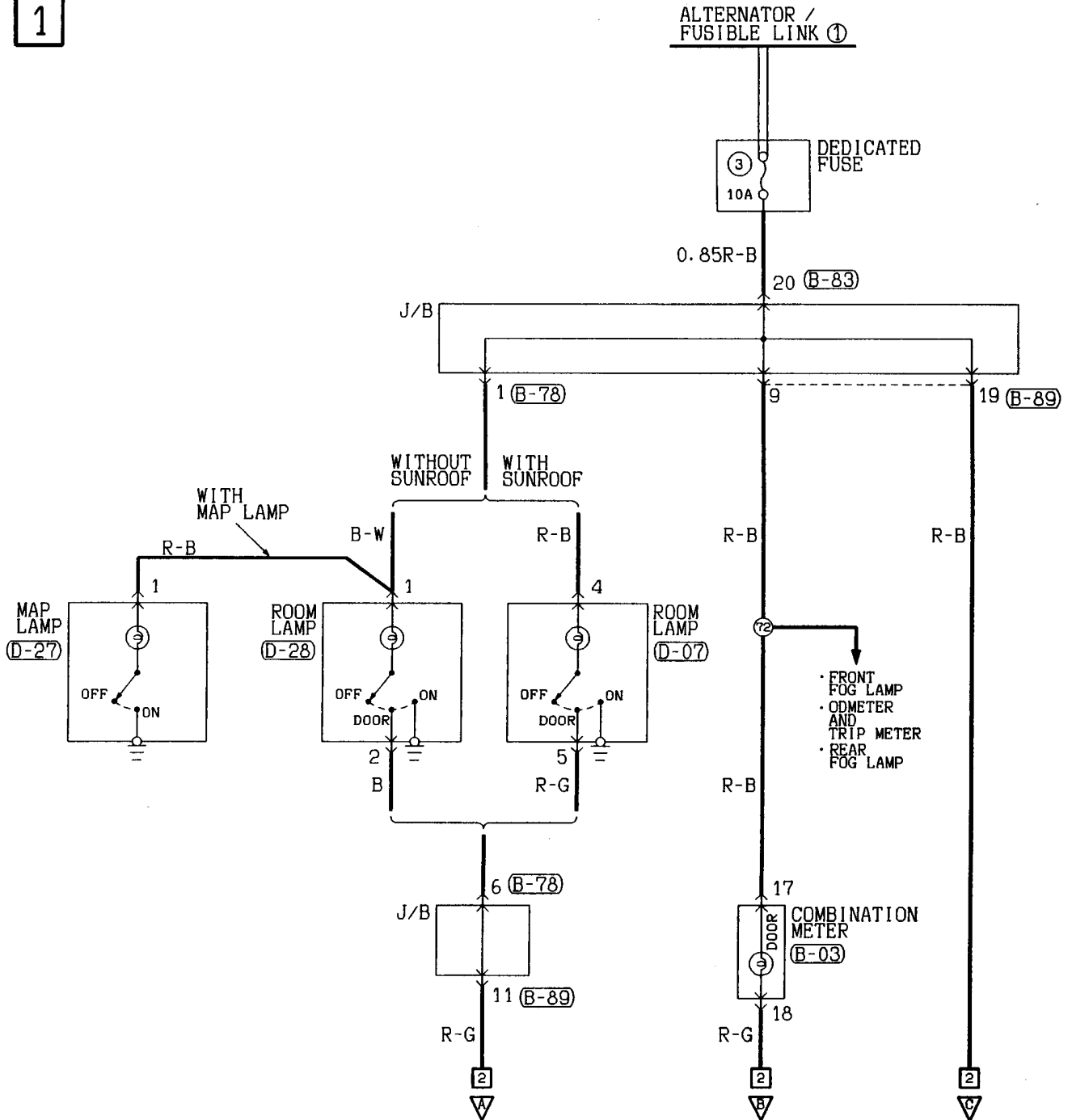
1



Wire colour code
 B :Black LG:Light green G :Green L :Blue W :White Y :Yellow SB:Sky blue
 BR:Brown O :Orange GR:Gray R :Red P :Pink V :Violet

ROOM LAMP, MAP LAMP AND LUGGAGE COMPARTMENT LAMP
Hatchback

1



(B-03)

1	2	3	4	5	6	7	8	9	10	11	12
									13		
14	15	16	17	18	19	20	21	22	23	24	25

(B-78)

1	2
3	4
5	6

(B-83)

1	2	3	4	5	6	7	8	9
10	11	12	13	14	15	16	17	18
19	20							

(B-89)

1	2	3	4	5	6	7	8	9	10
11	12	13	14	15	16	17	18	19	20
21	22								

(D-02)

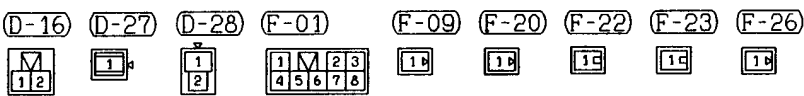
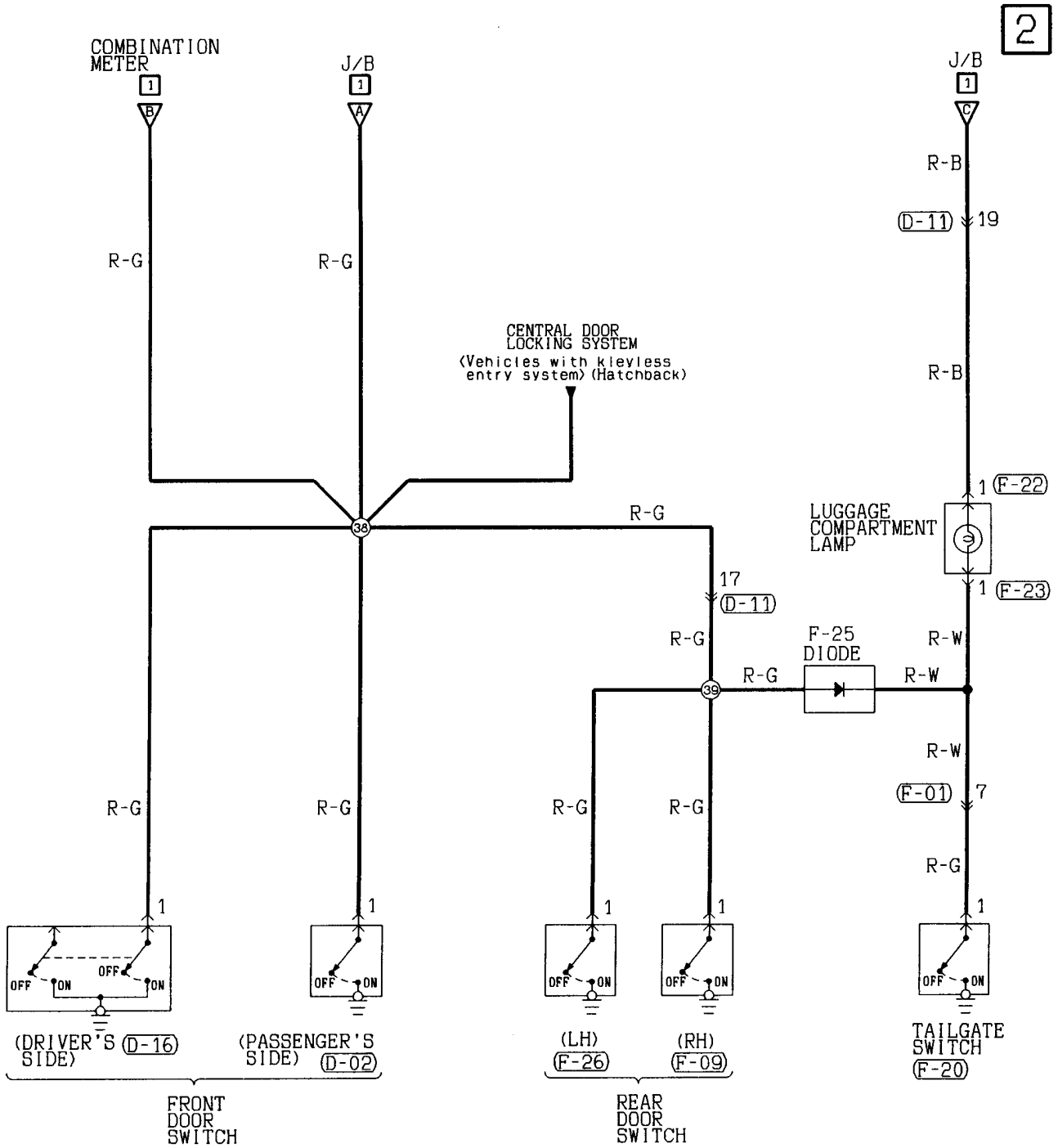
1	2
---	---

(D-07)

1	2	3
4	5	6
7	8	

(D-11)

1	2	3	4	5	6	7	8	9	10
11	12	13	14	15	16	17	18	19	20
21	22								

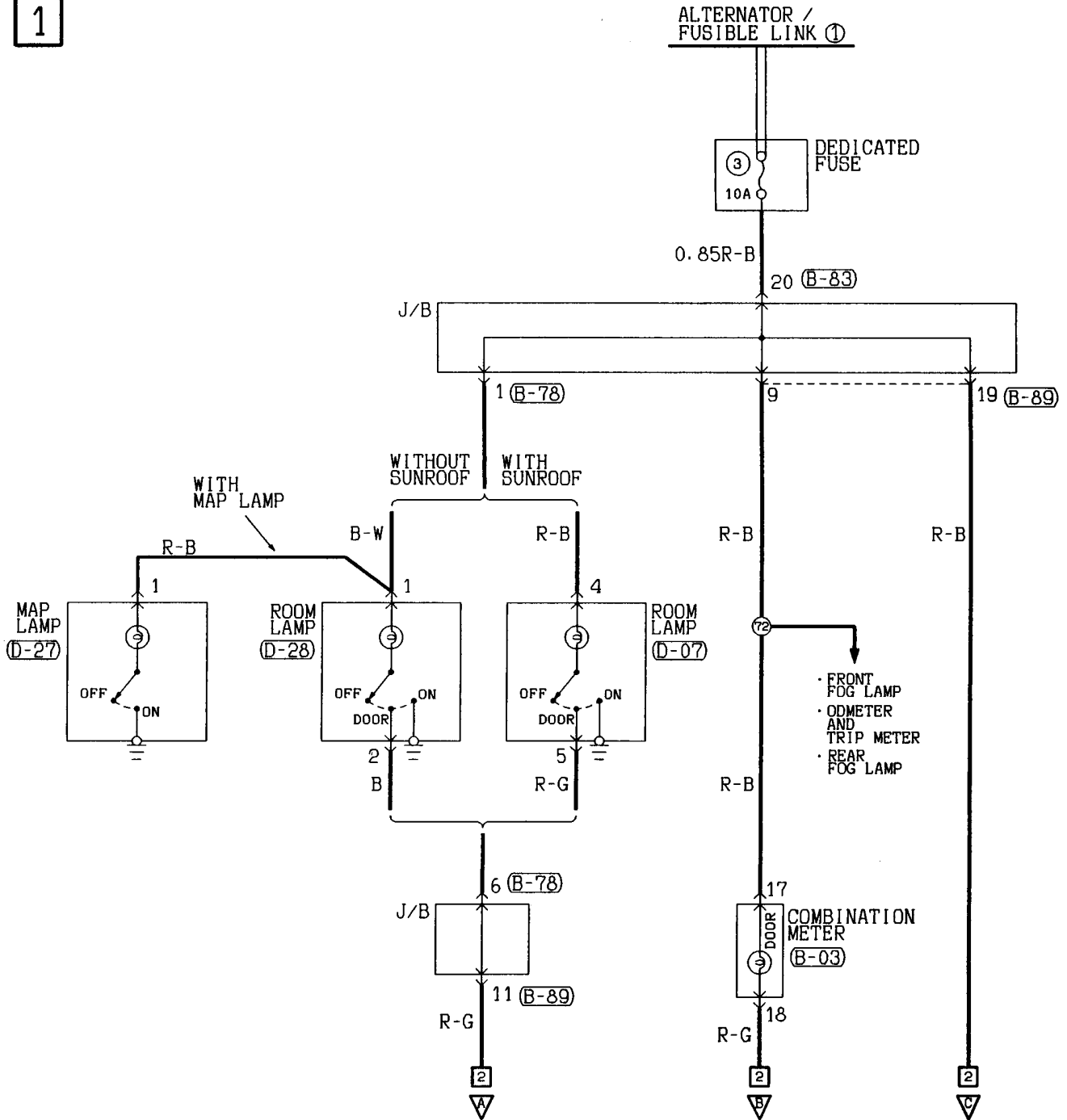


Wire colour code
 B : Black LG : Light green G : Green L : Blue W : White Y : Yellow SB : Sky blue
 BR : Brown O : Orange GR : Gray R : Red P : Pink V : Violet

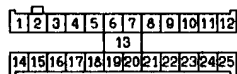
ROOM LAMP, MAP LAMP AND LUGGAGE COMPARTMENT LAMP

Sedan

1



(B-03)



(B-78)



(B-83)



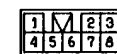
(B-89)



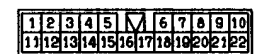
(D-02)

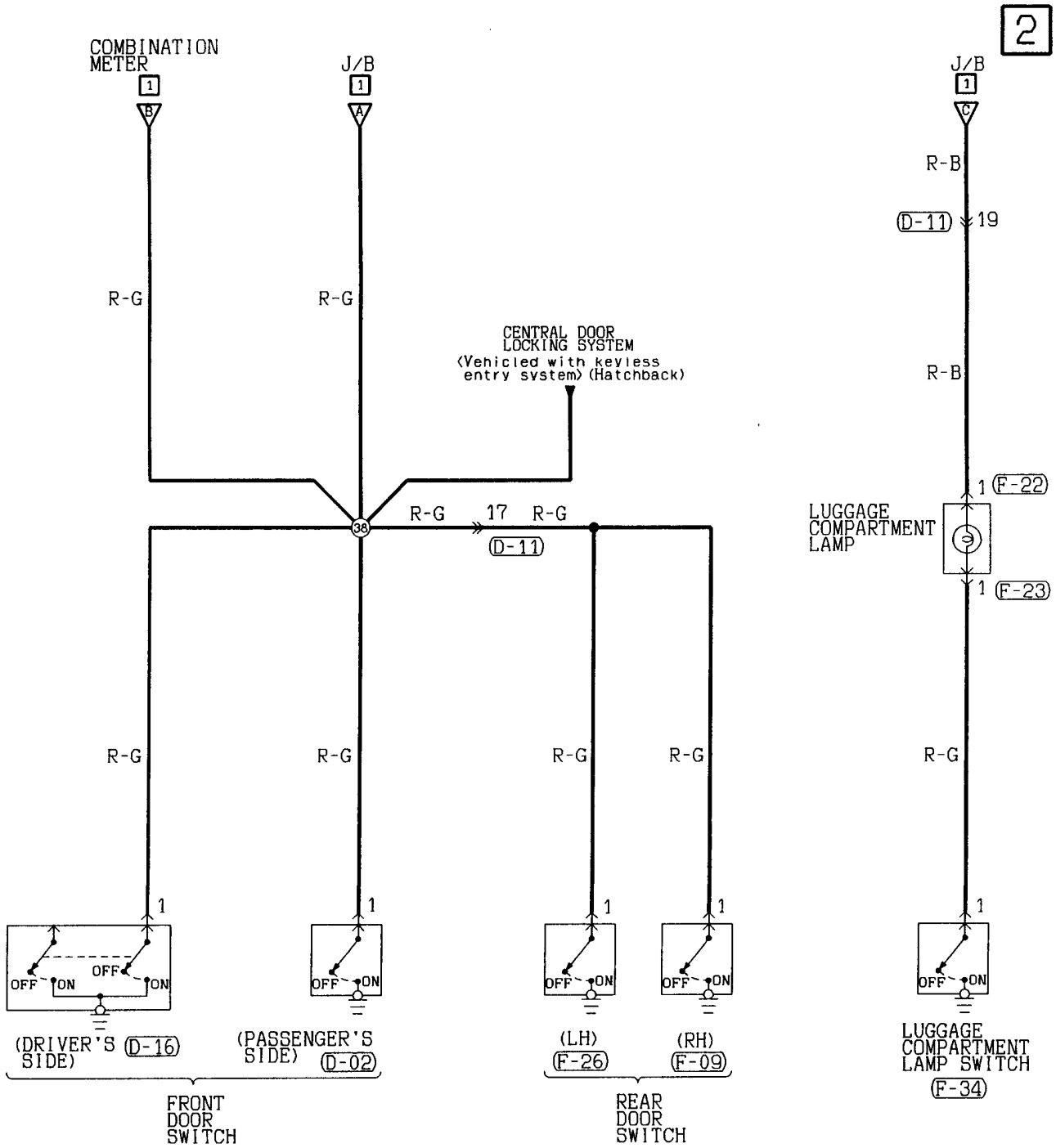


(D-07)



(D-11)





- (D-16)
- (D-27)
- (D-28)
- (F-09)
- (F-22)
- (F-23)
- (F-26)
- (F-34)

Wire colour code
 B :Black LG:Light green G:Green L :Blue W :White Y :Yellow SB:Sky blue
 BR:Brown O :Orange GR:Gray R :Red P :Pink V :Violet

ROOM LAMP, MAP LAMP AND LUGGAGE COMPARTMENT LAMP (See P. 4-120, 122.)**OPERATION****<Room lamp>**

- Placing the room lamp switch in the ON position causes the room lamp to come on at all times.
- Opening any one of the doors with the room lamp switch in the DOOR position causes the room lamp to come on.
- Closing all doors causes the room lamp to go out.

<Luggage compartment lamp>

- Battery voltage is being applied at all times to the luggage compartment lamp through the dedicated fuse No. (3).
- Opening the tailgate turns ON the tailgate switch, causing the luggage compartment lamp to light up.

TROUBLESHOOTING HINTS

1. Room lamp does not come on.
 - 1) Luggage compartment lamp does not come on, either.
 - Check dedicated fuse No. (3).
 - 2) Room lamp does not come on when any door is opened with the room lamp switch in the DOOR position.
 - Check bulb.
 - Check room lamp switch.
 - 3) Room lamp does not come on when a door is opened with the room lamp switch in the DOOR position.
 - Check door switch (of the suspected door).
2. Luggage compartment lamp does not come on.
 - 1) Room lamp is normal.
 - Check bulb.
 - Check tailgate switch.

TURN-SIGNAL LAMP AND HAZARD WARNING LAMP (See P. 4-126.)**OPERATION****<Turn-signal lamp>****1. In standard operating condition**

- When the ignition switch is placed in the ON position, battery voltage is applied through the hazard warning switch to the turn-signal and hazard warning flasher unit.
- When the turn signal switch is turned to the "LH" or "RH" position, the relay contact turns "ON" and "OFF" repeatedly due to the switching operation of the capacitor and transistor inside the flasher unit, and the turn signal lamp and the "LH" and "RH" of the turn signal indicator lamp flash.

2. When one bulb is burnt

- When either one of the turn signal lamp is burnt, the resistance of the entire lamp circuit increases, so that the time required for charging and discharging of the capacitor is shortened, causing the "ON" "OFF" cycle of the relay to become faster than standard and the number of flashes to increase.

<Hazard warning lamp>

- When the hazard warning switch is turned to the "ON" position, current flows via dedicated fuse No. (7) to the flasher unit, the flasher unit relay contacts repeatedly close and open, which results in the RH and LH turn-signal lamps, turn-signal indicator lamps, and hazard warning indicator lamps flashing on and off at the same time.

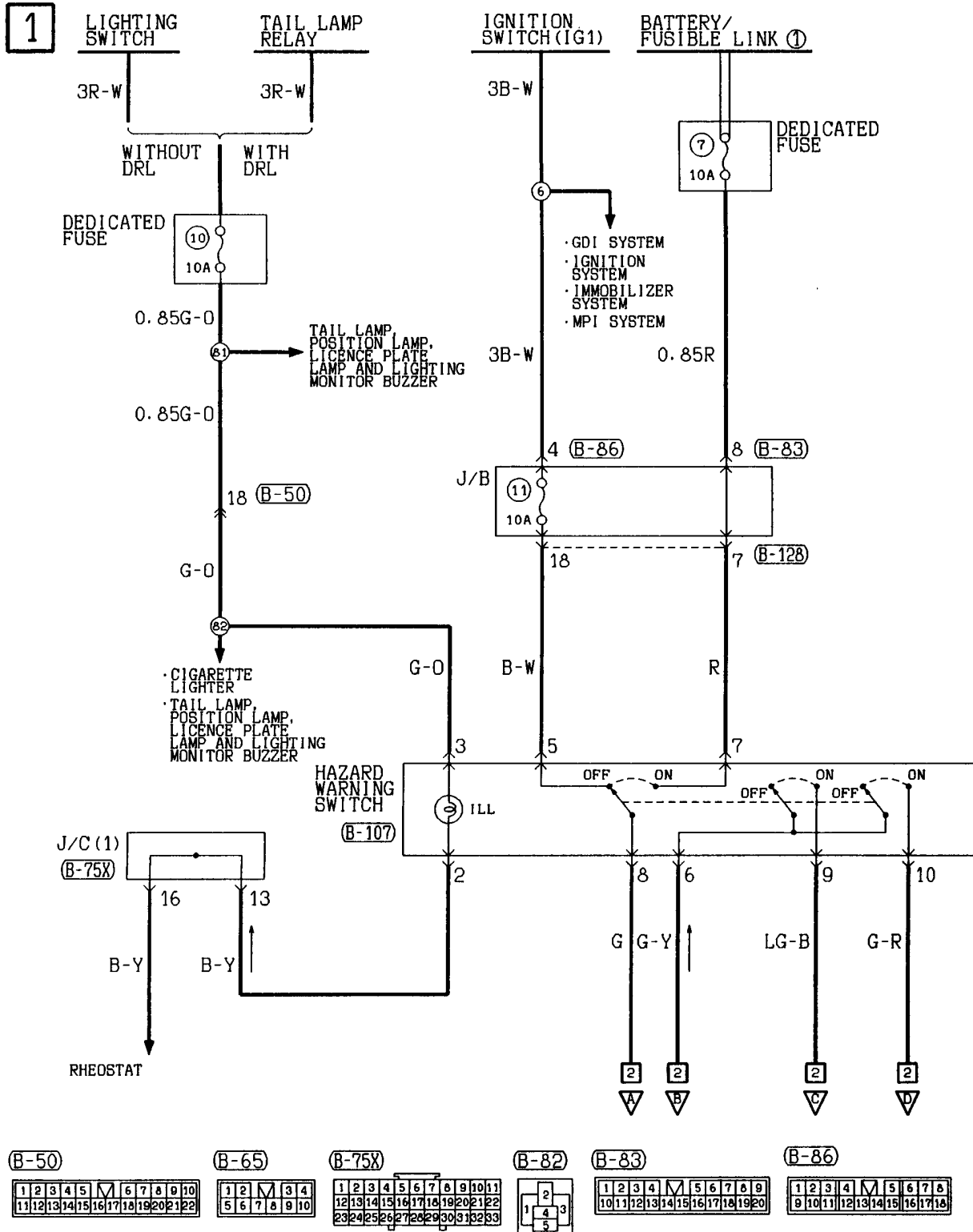
Remark

- The number of times the hazard warning lamps flash on and off does not change even when one bulb is out.

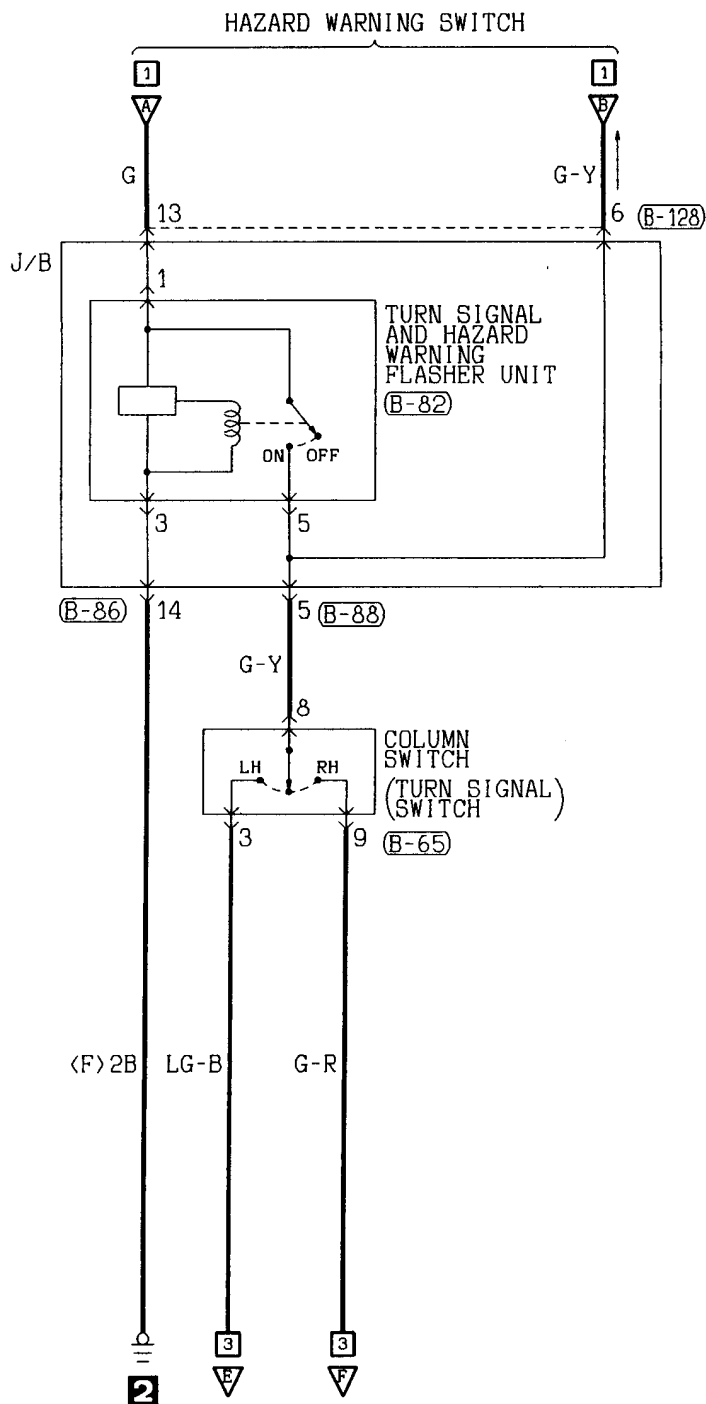
TROUBLESHOOTING HINTS

1. Neither the turn-signal lamp nor hazard warning lamps operate.
 - Check hazard warning switch contacts (on power source end).
 - Check flasher unit.
2. All LH or RH turn-signal lamps do not operate.
 - (1) Hazard warning lamp is fully operational.
 - Check turn-signal switch.
3. Flashing cycle of turn signal lamps is shorter.
 - Check the lamp bulb.
 - Check flasher unit.
4. Hazard warning lamp does not operate.
 - (1) Turn-signal lamps are operational.
 - Check dedicated fuse No. (7).
 - Check hazard warning switch contacts (on hazard lamp end).

TURN-SIGNAL LAMP AND HAZARD WARNING LAMP



2



(B-88)

1	2	3	4	5	6	7	8	9	10
11	12	13	14	15	16	17	18	19	20
21	22								

(B-107)

1	2	3	4
5	6	7	8
9	10		

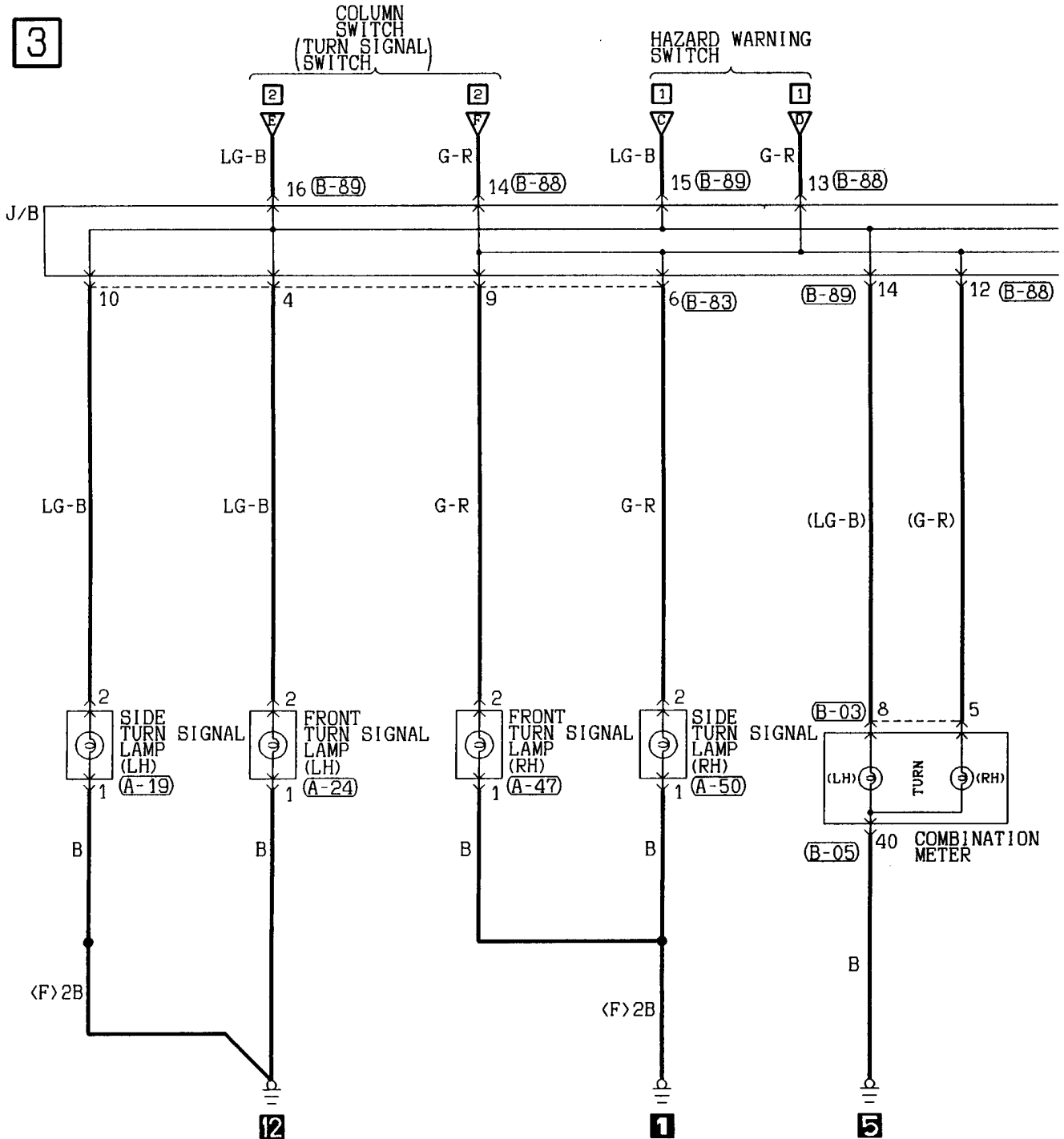
(B-128)

1	2	3	4	5	6	7	8
9	10	11	12	13	14	15	16
17	18						

Wire colour code
 B : Black LG:Light green G :Green L :Blue W :White Y :Yellow SB:Sky blue
 BR:Brown O :Orange GR:Gray R :Red P :Pink V :Violet

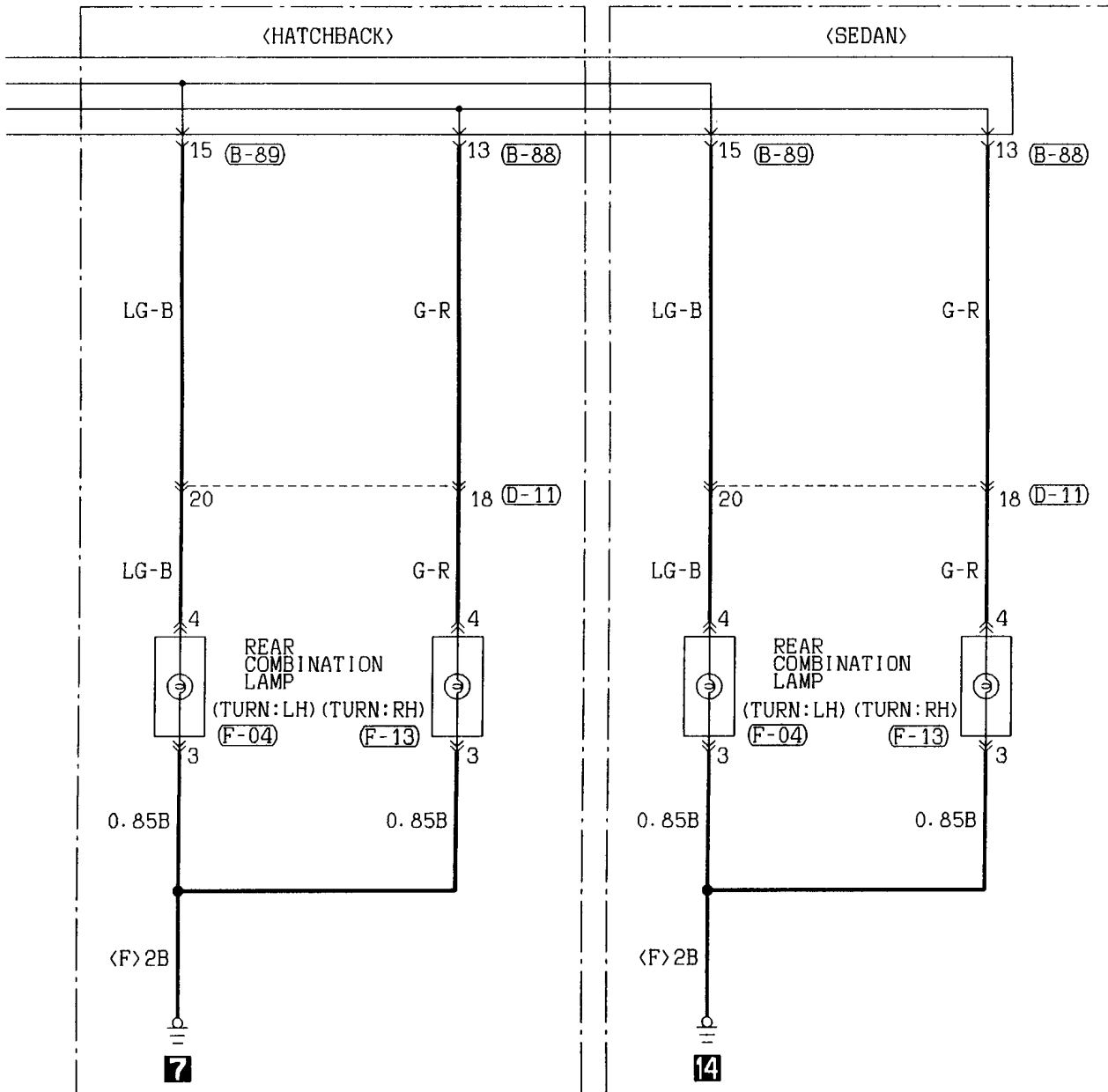
TURN-SIGNAL LAMP AND HAZARD WARNING LAMP (CONTINUED)

3



(A-19)	(A-24)	(A-47)	(A-50)	(B-03)	(B-05)	(B-83)
10	12	12	12	1 2 3 4 5 6 7 8 9 10 11 12	31 32 33 34 35 36 37 38 39 40 41 42	1 2 3 4 5 6 7 8 9
				13	43	10 11 12 13 14 15 16 17 18 19 20
				14 15 16 17 18 19 20 21 22 23 24 25	44 45 46 47 48 49 50 51 52 53 54 55	

4



B-88

1	2	3	4	5	M	6	7	8	9	10	
11	12	13	14	15	16	17	18	19	20	21	22

B-89

1	2	3	4	5	M	6	7	8	9	10	
11	12	13	14	15	16	17	18	19	20	21	22

D-11

1	2	3	4	5	M	6	7	8	9	10	
11	12	13	14	15	16	17	18	19	20	21	22

F-04

1	2
3	4
5	6

F-13

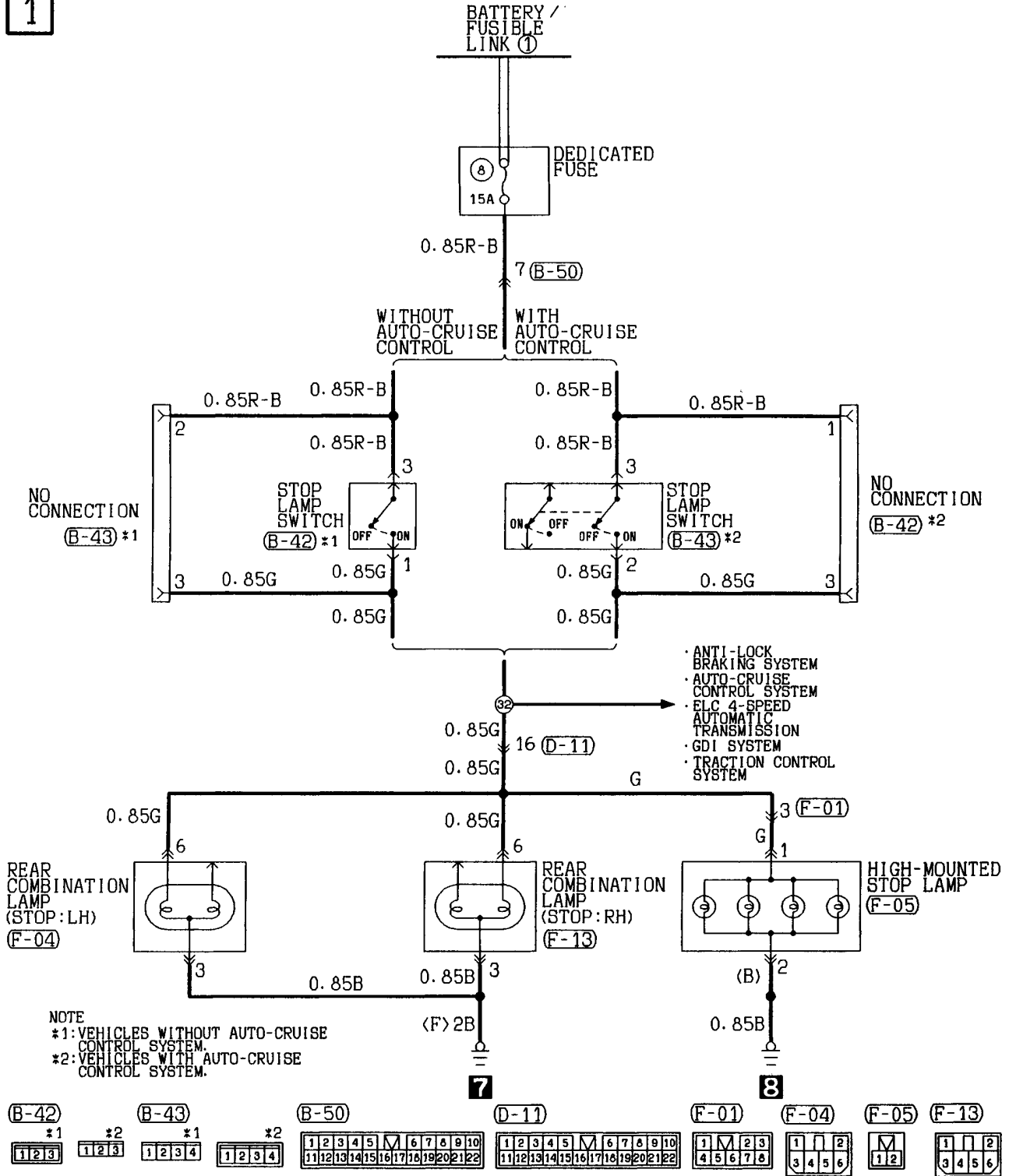
1	2
3	4
5	6

Wire colour code
 B : Black LG : Light green G : Green L : Blue W : White Y : Yellow SB : Sky blue
 BR : Brown O : Orange GR : Gray R : Red P : Pink V : Violet

STOP LAMP

Hatchback

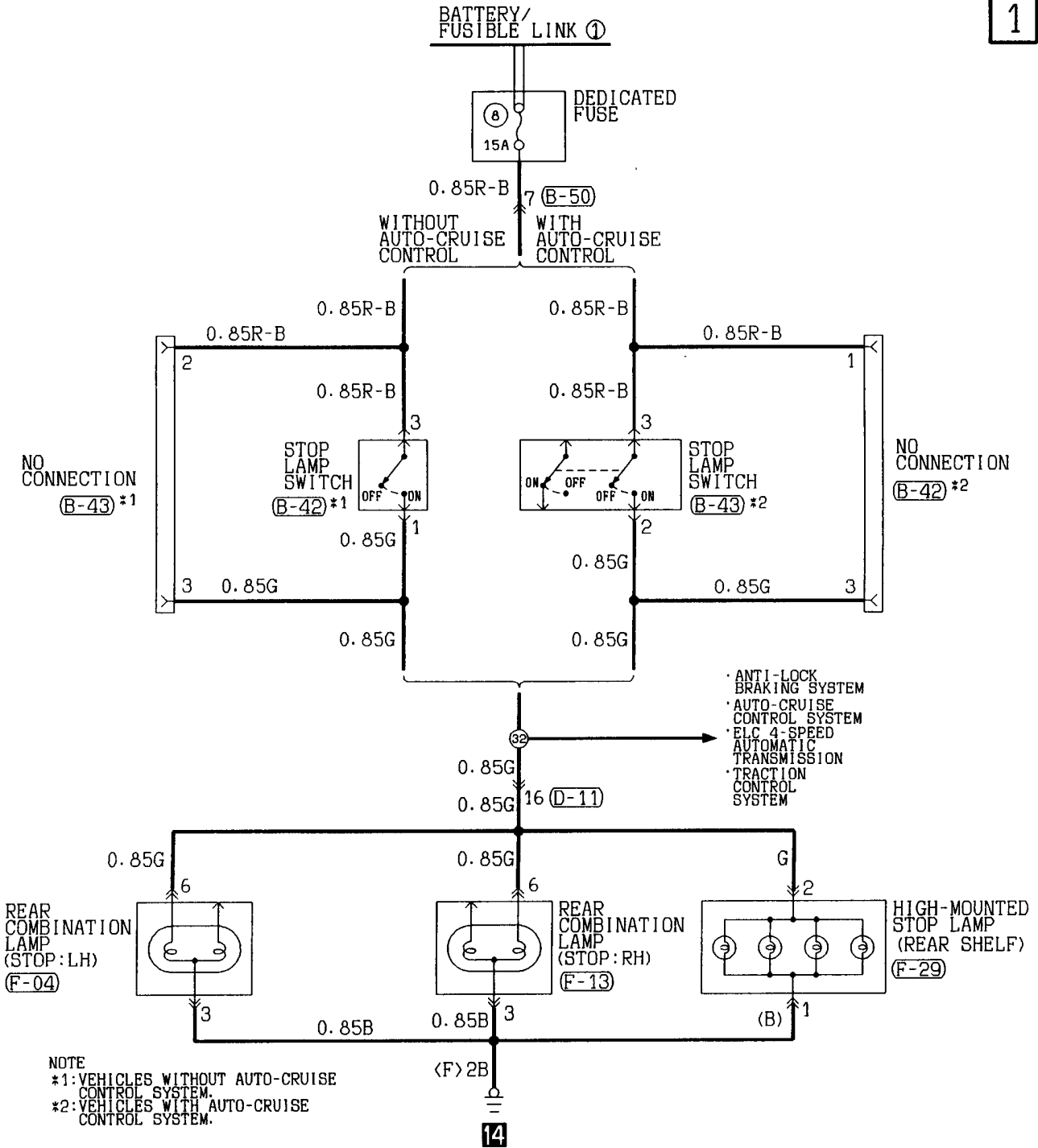
1



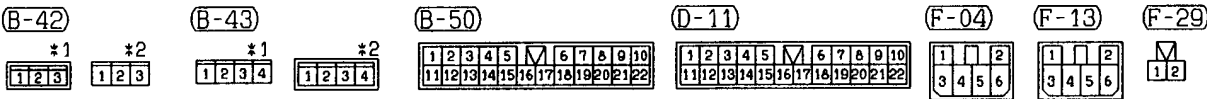
STOP LAMP

Sedan

1



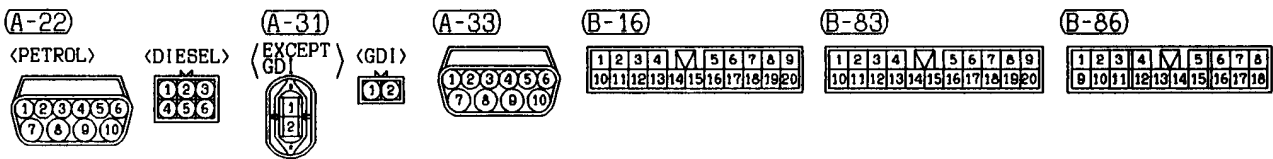
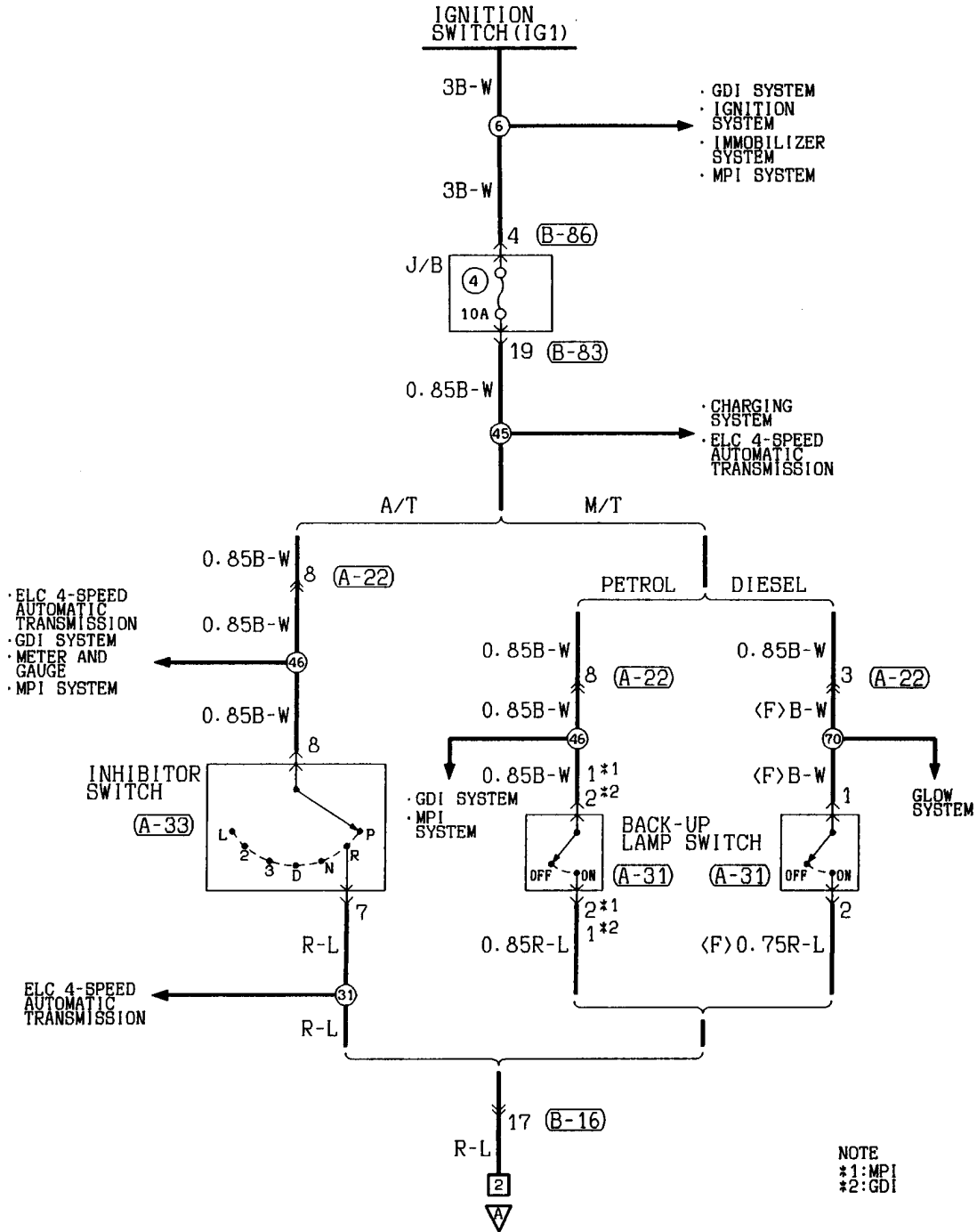
NOTE
 *1: VEHICLES WITHOUT AUTO-CRUISE CONTROL SYSTEM.
 *2: VEHICLES WITH AUTO-CRUISE CONTROL SYSTEM.



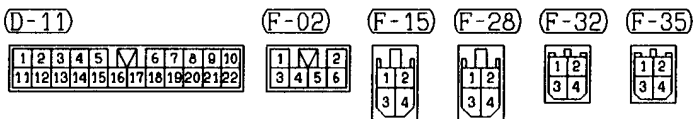
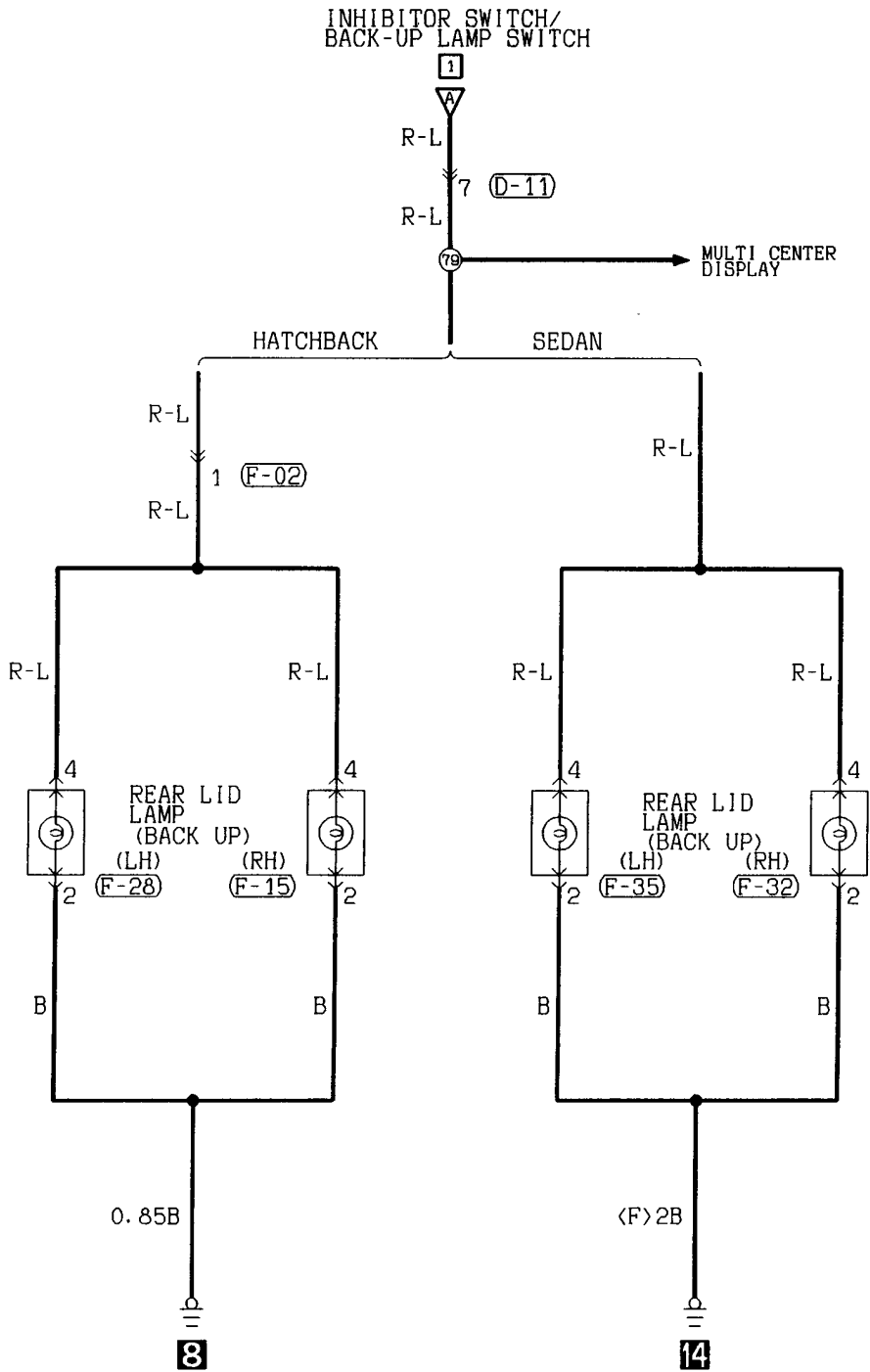
Wire colour code
 B:Black LG:Light green G:Green L:Blue W:White Y:Yellow SB:Sky blue
 BR:Brown O:Orange GR:Gray R:Red P:Pink V:Violet

BACK-UP LAMP

1



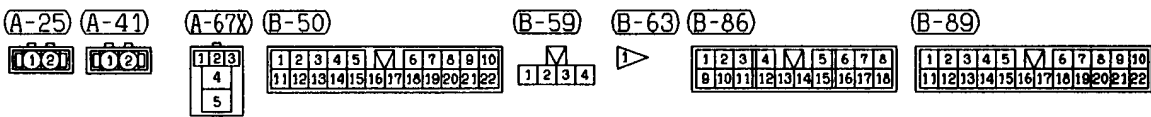
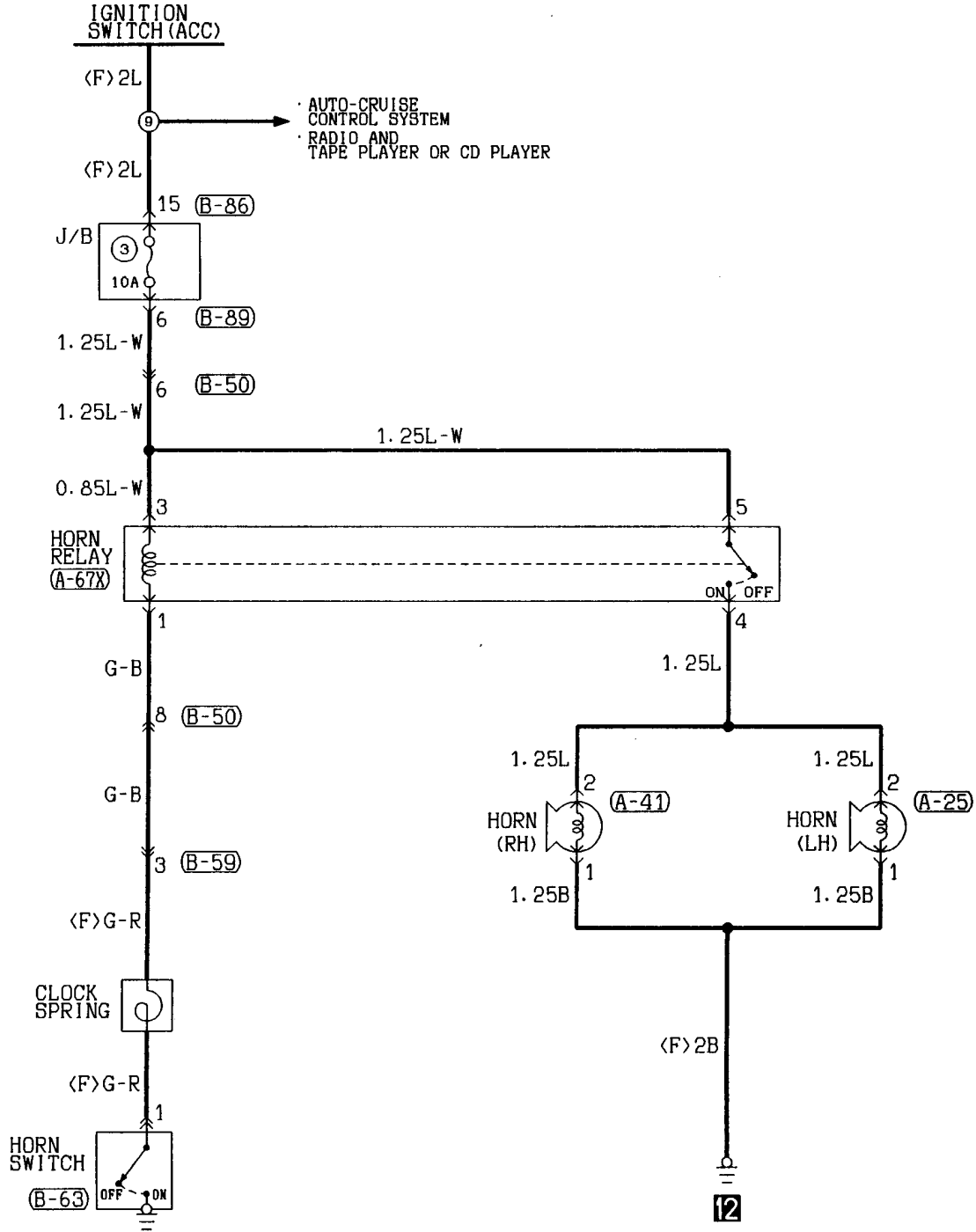
2



Wire colour code
 B : Black LG:Light green G : Green L : Blue W : White Y : Yellow SB:Sky blue
 BR:Brown O :Orange GR:Gray R :Red P :Pink V :Violet

HORN

1



Wire colour code
 B : Black LG : Light green G : Green L : Blue W : White Y : Yellow SB : Sky blue
 BR : Brown O : Orange GR : Gray R : Red P : Pink V : Violet

METER AND GAUGE (See P. 4-136, 138.)**OPERATION****<Fuel gauge>**

- When the ignition switch is at the "ON" position, the fuel gauge is activated.
- When there is much fuel, the unit's resistance is small and the current flowing in the circuit is great, so the gauge's indicator indicates in the "Full" area.
- When there is little fuel, the unit's resistance is high and the current flowing in the circuit is small, so the gauge's indicator indicates in the "Empty" area.

<Engine coolant temperature gauge>

- When the ignition switch is at the "ON" position, the engine coolant temperature gauge is activated.
- When the engine coolant temperature is high, the unit's resistance is low and there is a great flow of current in the circuit, so the gauge's indicator indicates in the "H" area.
- When the engine coolant temperature is low, the unit's resistance is high and there is a small flow of current in the circuit, so the gauge's indicator indicates in the "C" area.

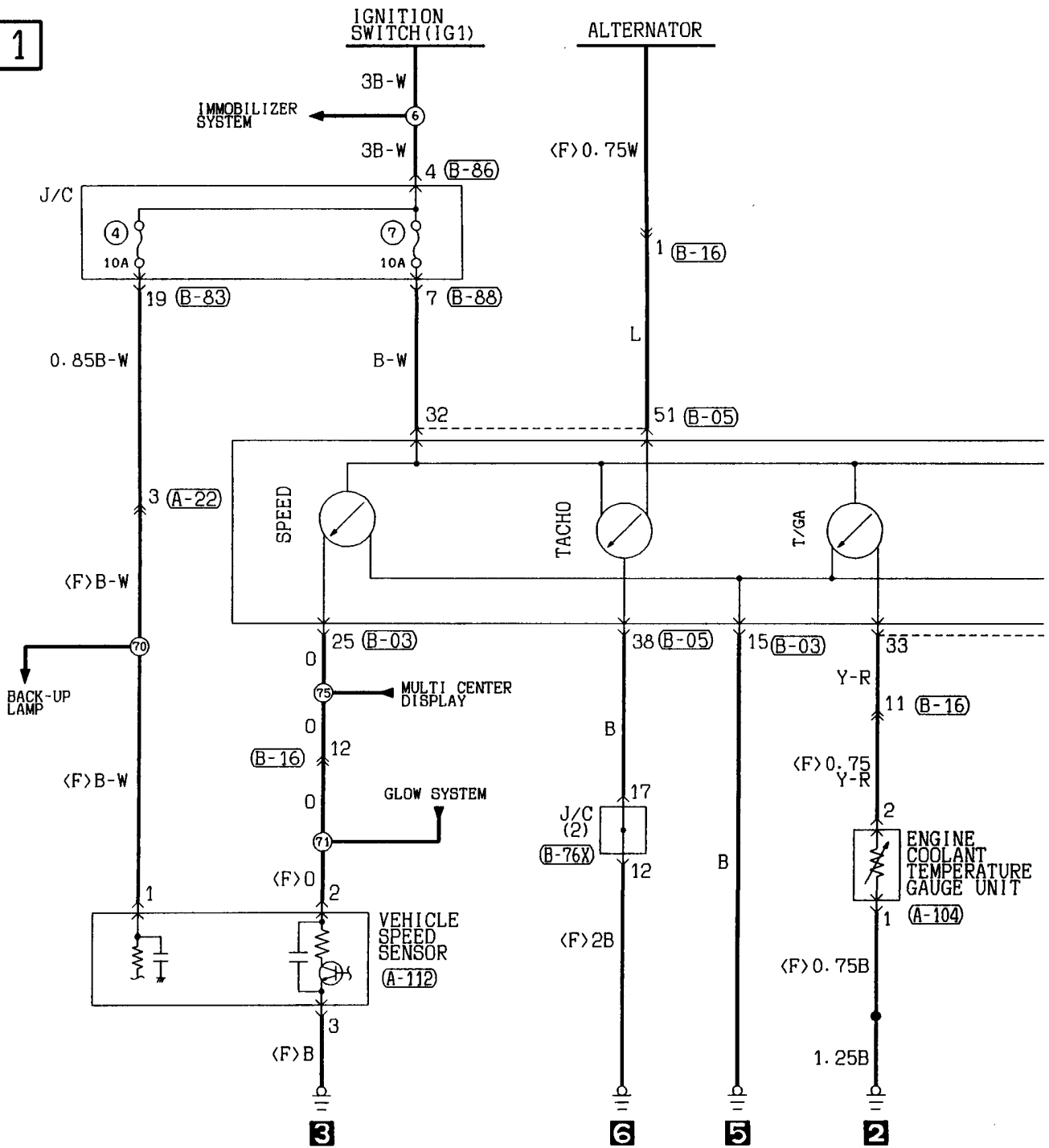
TROUBLESHOOTING HINTS

1. Fuel gauge does not operate, or registers incorrectly.
 - (1) The fuel gauge indicates "F" when the fuel gauge unit connector is disconnected and the "3" <Diesel-powered vehicles> or "2" <Petrol-powered vehicles> terminal is earthed.
 - Check fuel gauge.
2. Engine coolant temperature gauge does not operate, or registers incorrectly.
 - (1) When the engine coolant temperature gauge is earthed with its connector unplugged, it registers "H".
 - Check engine coolant temperature gauge unit.
3. Meter illumination lamp does not illuminate.
 - (1) Tail lamps illuminate.
 - Check rheostat.

METER AND GAUGE

Diesel-powered vehicles

1



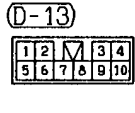
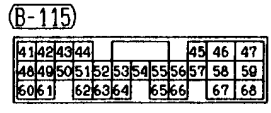
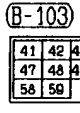
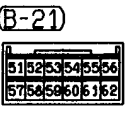
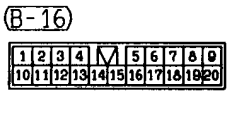
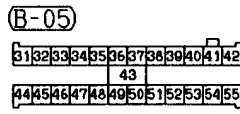
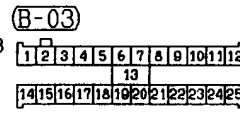
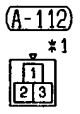
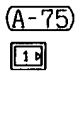
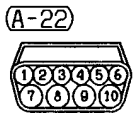
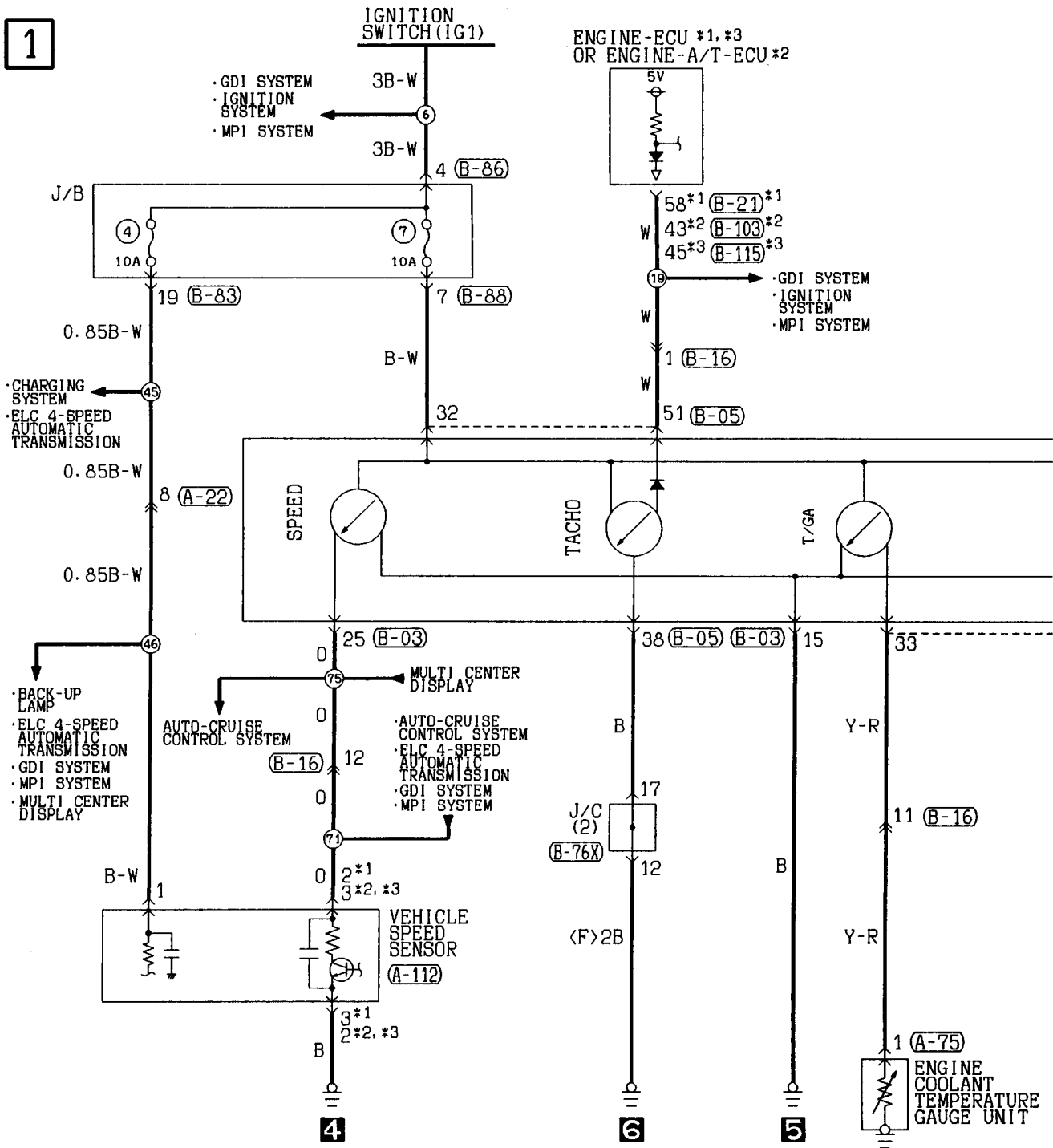
(A-22)	(A-104)	(A-112)	(B-03)
1 2 3 4 5 6	1 2 3 4	1 2 3	1 2 3 4 5 6 7 8 9 10 11 12 13

(B-05)	(B-16)	(B-75X)
1 2 3 33 34 35 36 37 38 39 40 41 42 43	1 2 3 4 5 6 7 8 9 10 11 12 13 14 15 16 17 18 19 20	1 2 3 4 5 6 7 8 9 10 11 12 13 14 15 16 17 18 19 20 21 22 23 24 25 26 27 28 29 30 31 32 33

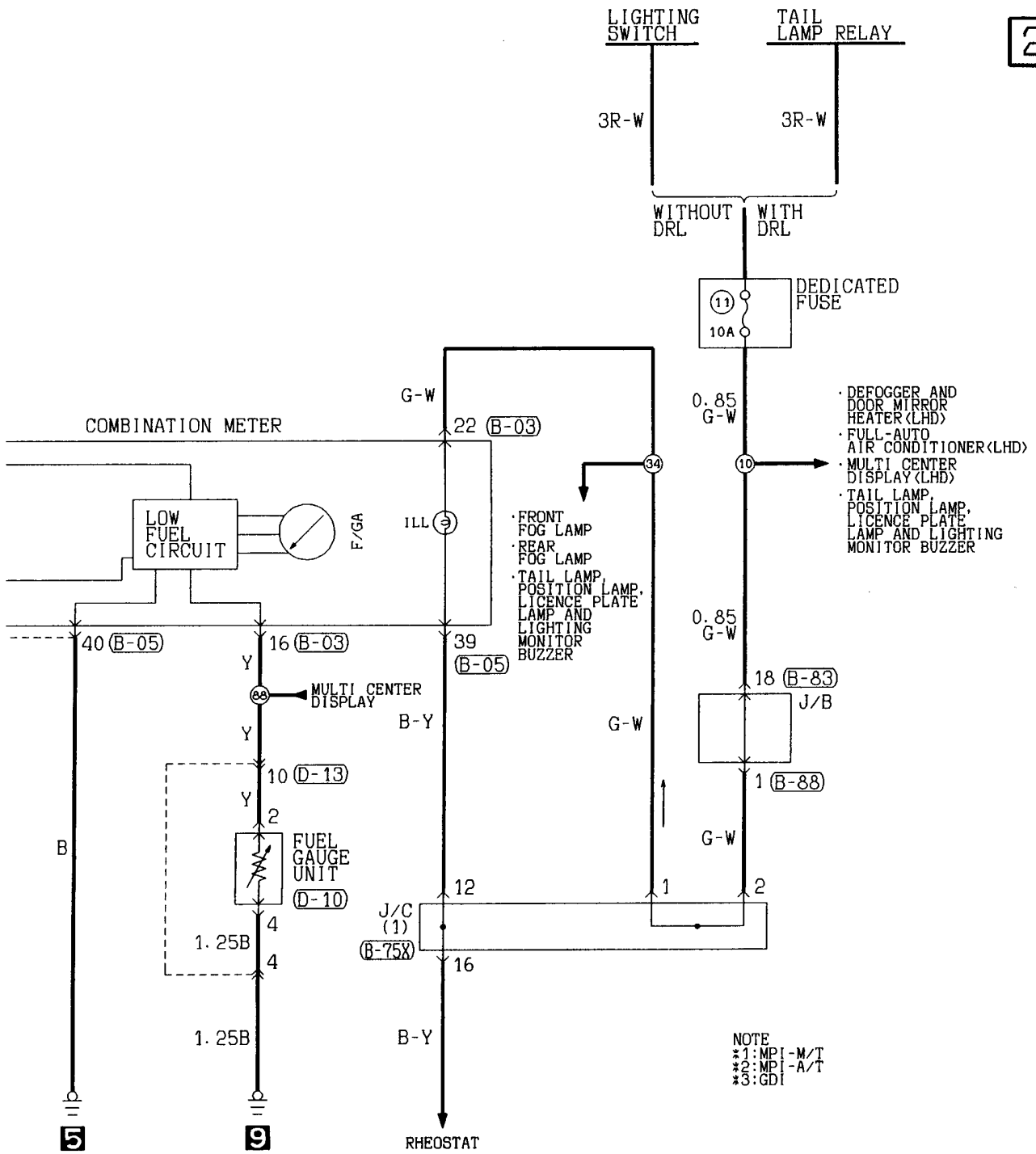
METER AND GAUGE

Petrol-powered vehicles

1



2



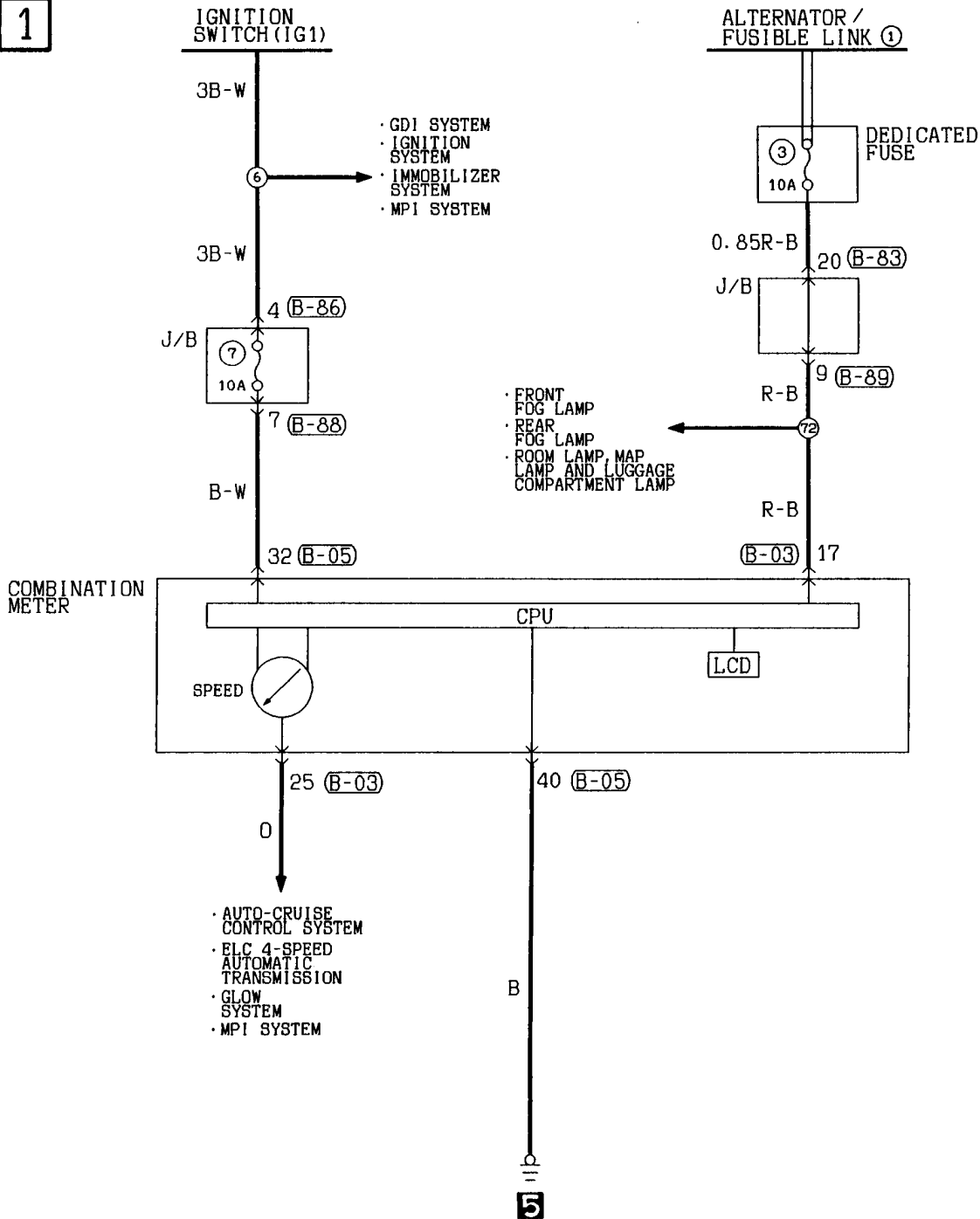
NOTE
 *1: MPI-M/T
 *2: MPI-A/T
 *3: GDI

(B-75X)	(B-76X)	(B-83)	(B-86)	(B-88)
1 2 3 4 5 6 7 8 9 10 11 12 13 14 15 16 17 18 19 20 21 22 23 24 25 26 27 28 29 30 31 32 33	1 2 3 4 5 6 7 8 9 10 11 12 13 14 15 16 17 18 19 20 21 22 23 24 25 26 27 28 29 30 31 32 33	1 2 3 4 M 5 6 7 8 9 10 11 12 13 14 15 16 17 18 19 20	1 2 3 4 M 5 6 7 8 9 10 11 12 13 14 15 16 17 18	1 2 3 4 5 M 6 7 8 9 10 11 12 13 14 15 16 17 18 19 20 21 22

Wire colour code
 B : Black LG:Light green G :Green L :Blue W :White Y :Yellow SB:Sky blue
 BR:Brown O :Orange GR:Gray R :Red P :Pink V :Violet

ODOMETER AND TRIP METER

1



(B-03)

1	2	3	4	5	6	7	8	9	10	11	12
									13		
14	15	16	17	18	19	20	21	22	23	24	25

(B-05)

31	32	33	34	35	36	37	38	39	40	41	42
									43		
44	45	46	47	48	49	50	51	52	53	54	55

(B-83)

1	2	3	4	M	5	6	7	8	9	
10	11	12	13	14	15	16	17	18	19	20

(B-86)

1	2	3	4	M	5	6	7	8	
9	10	11	12	13	14	15	16	17	18

(B-88)

1	2	3	4	5	M	6	7	8	9	10	
11	12	13	14	15	16	17	18	19	20	21	22

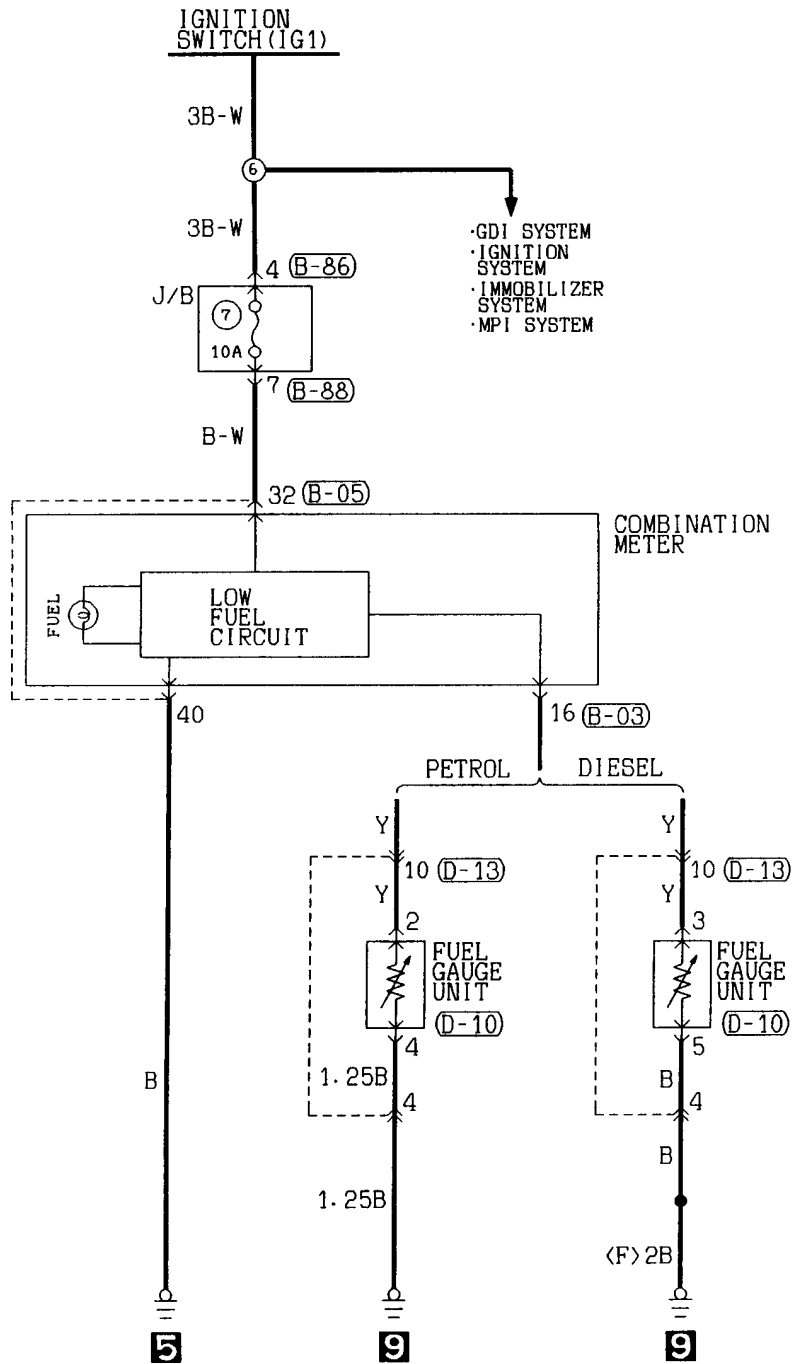
(B-89)

1	2	3	4	5	M	6	7	8	9	10	
11	12	13	14	15	16	17	18	19	20	21	22

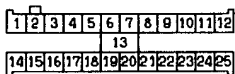
Wire colour code
 B : Black LG : Light green G : Green L : Blue
 BR : Brown O : Orange GR : Gray R : Red
 W : White SB : Sky blue P : Pink Y : Yellow
 V : Violet

FUEL WARNING LAMP

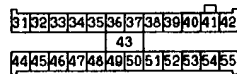
1



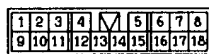
(B-03)



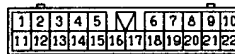
(B-05)



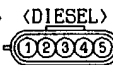
(B-86)



(B-88)



(D-10)



(D-13)



Wire colour code

B : Black LG : Light green
BR : Brown O : Orange

G : Green GR : Gray

L : Blue R : Red

W : White P : Pink

Y : Yellow V : Violet
SB : Sky blue

FUEL WARNING LAMP (See P. 4-141.)**OPERATION**

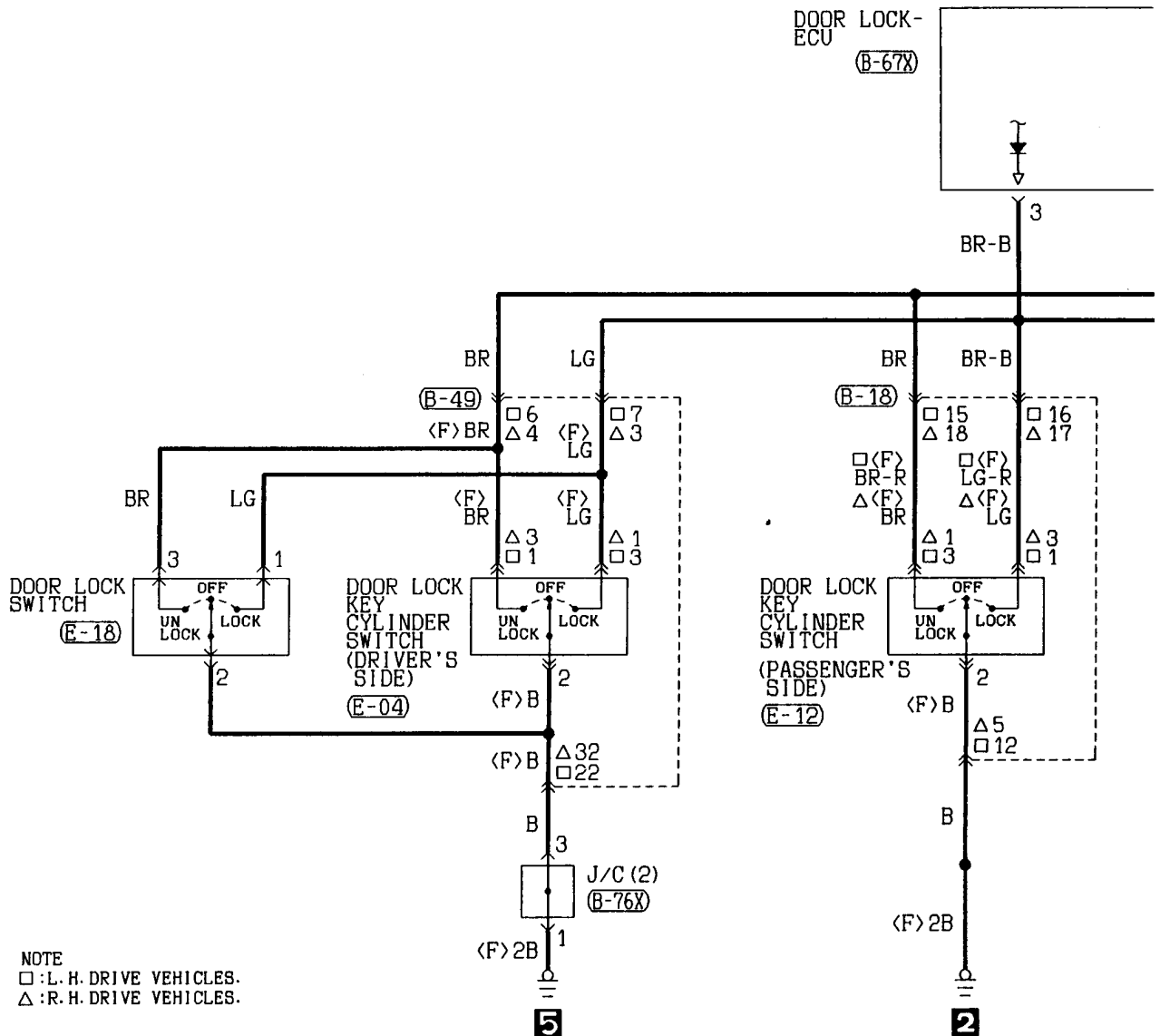
- When the ignition switch is at the ON position and the fuel level drops, the resistance of the unit increases. When the resistance rises to a value that is higher than the specified value, the fuel warning lamp illuminates to inform the driver that the fuel level is low.

NOTES

CENTRAL DOOR LOCKING SYSTEM

Vehicles without keyless entry system <Hatchback>

1



NOTE
 □ : L. H. DRIVE VEHICLES.
 △ : R. H. DRIVE VEHICLES.

(B-18)

1	2	3	4
5	6	7	8
9	10	11	12
13	14	15	16
17	18	19	20

(B-49)

1	2	3	4	5	6	7	8	9
10	11	12	13	14	15	16	17	18
19	20	21	22	23	24	25	26	27
28	29	30	31	32				

(B-53)

1	2	3	4
5	6	7	8
9	10		

(B-67X)

1	2	3
4	5	6
7	8	9

(B-76X)

1	2	3	4	5	6	7	8	9	10	11
12	13	14	15	16	17	18	19	20	21	22
23	24	25	26	27	28	29	30	31	32	33

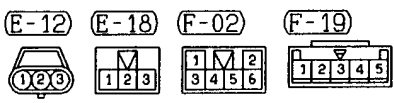
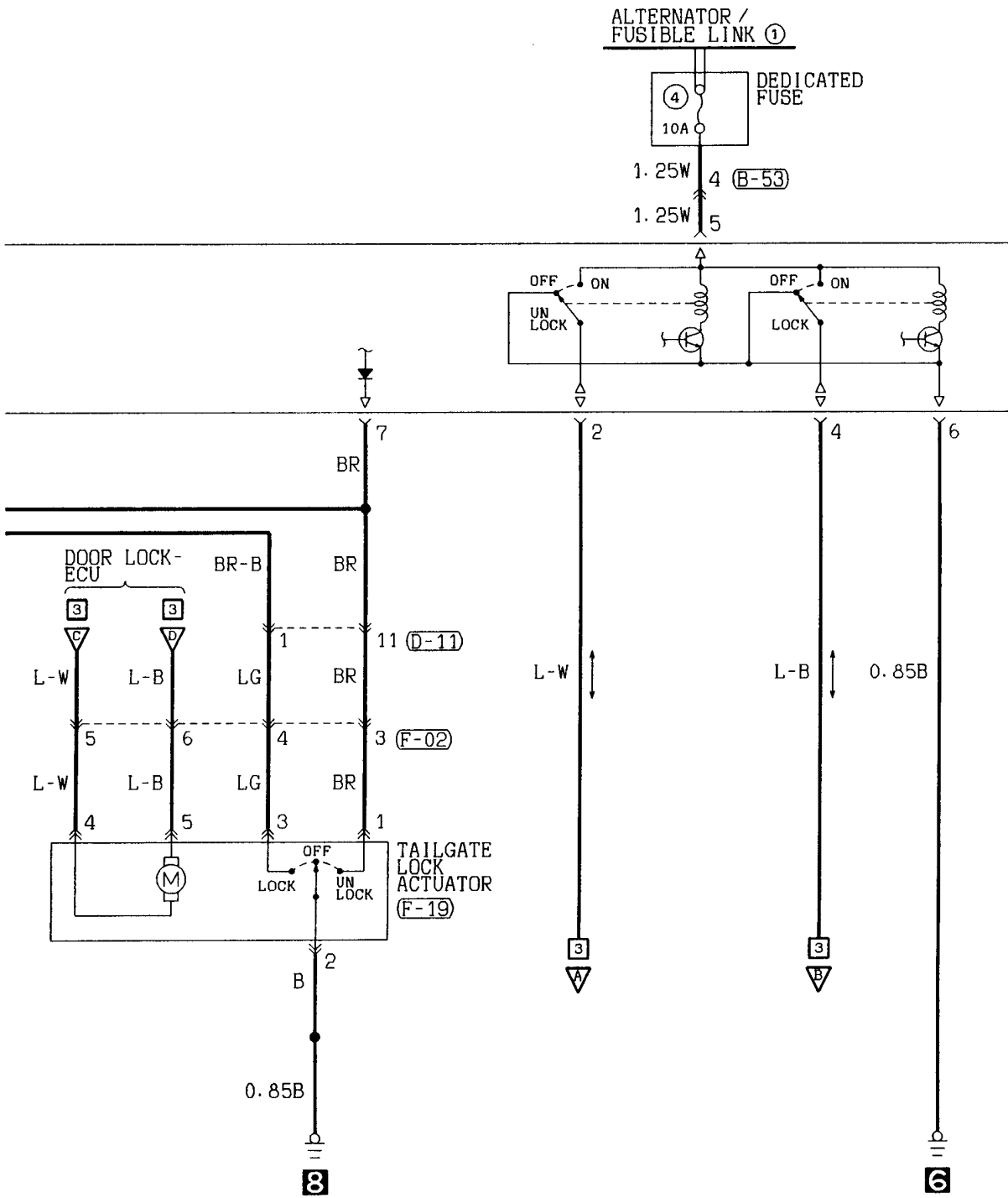
(D-11)

1	2	3	4	5	6	7	8	9	10
11	12	13	14	15	16	17	18	19	20
21	22								

(E-04)

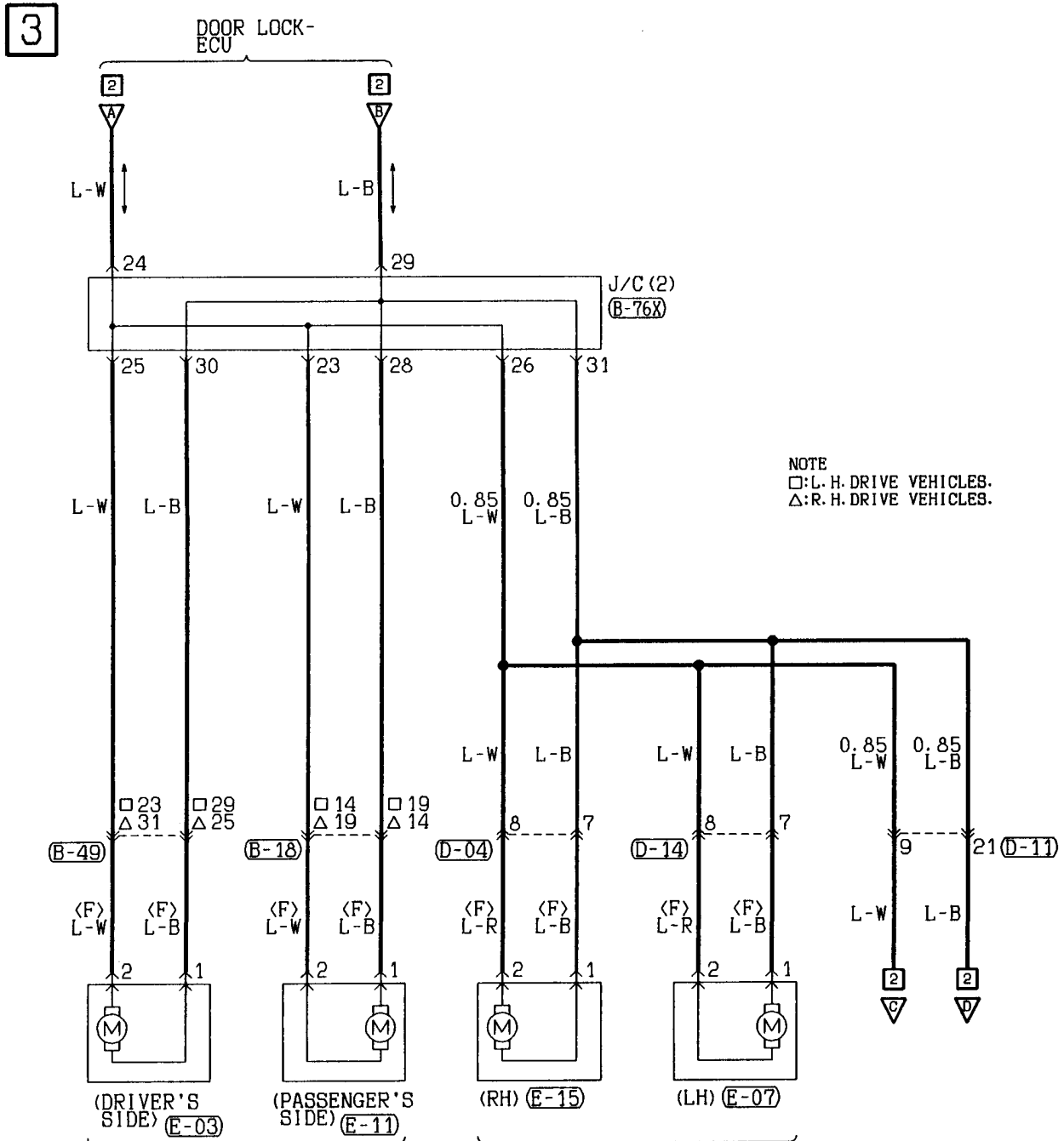
1	2	3
---	---	---

2

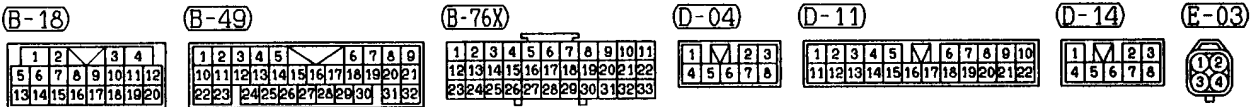


Wire colour code
 B : Black LG: Light green G : Green L : Blue W : White Y : Yellow SB: Sky blue
 BR: Brown O : Orange GR: Gray R : Red P : Pink V : Violet

CENTRAL DOOR LOCKING SYSTEM <Vehicles without keyless entry system (Hatchback)> (CONTINUED)



NOTE
 □: L. H. DRIVE VEHICLES.
 △: R. H. DRIVE VEHICLES.



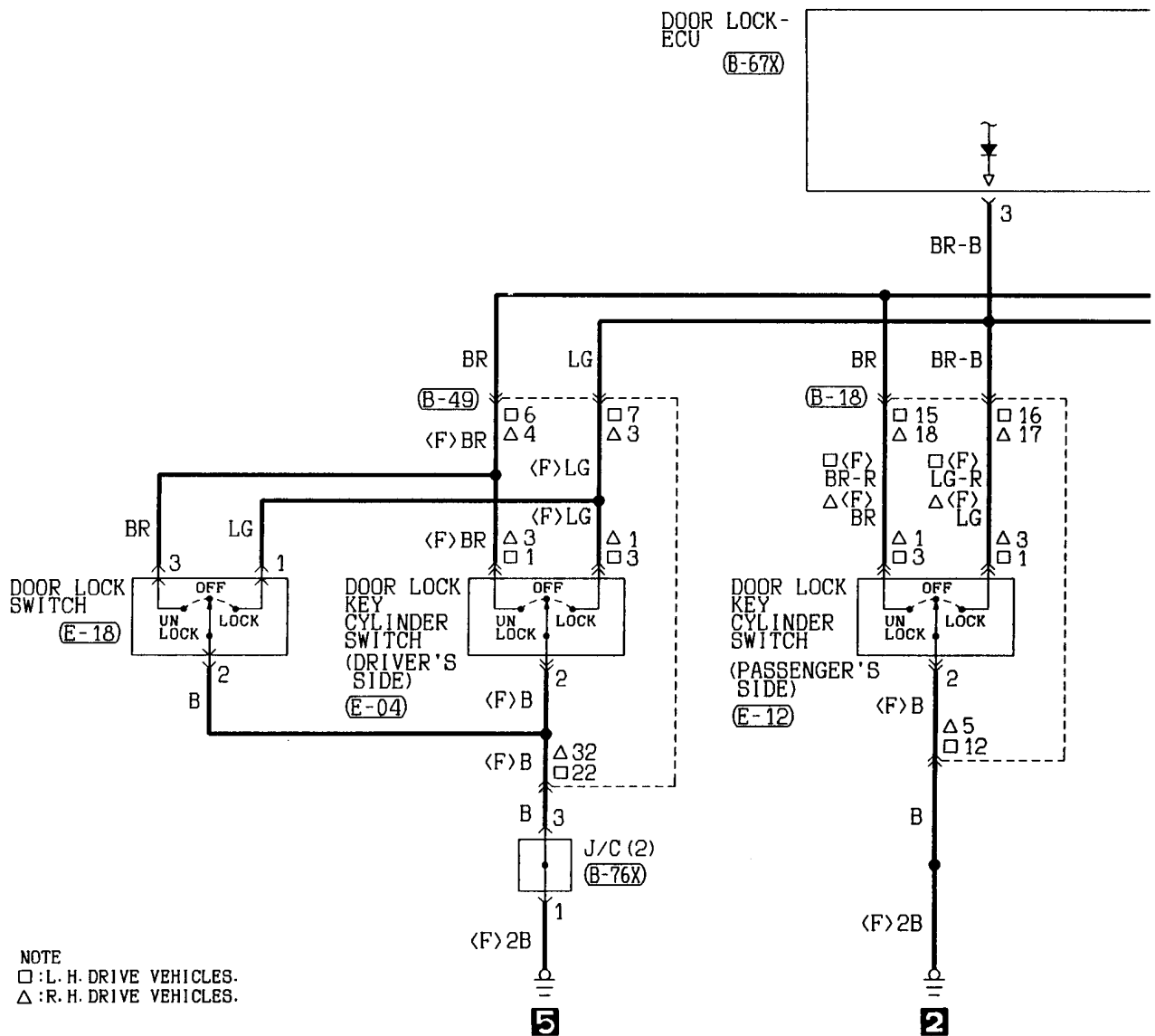
- E-07
- E-11
- E-15
- Wire colour code
- B: Black
- BR: Brown
- W: White
- V: Violet
- LG: Light green
- O: Orange
- SB: Sky blue
- G: Green
- GR: Gray
- P: Pink
- L: Blue
- R: Red
- Y: Yellow

NOTES

CENTRAL DOOR LOCKING SYSTEM

Vehicles without keyless entry system <Sedan>

1



NOTE
 \square : L. H. DRIVE VEHICLES.
 Δ : R. H. DRIVE VEHICLES.

(B-18)

1	2	3	4
5	6	7	8
9	10	11	12
13	14	15	16
17	18	19	20

(B-49)

1	2	3	4	5	6	7	8	9
10	11	12	13	14	15	16	17	18
19	20	21	22	23	24	25	26	27
28	29	30	31	32	33	34	35	36

(B-53)

1	2	3	4
5	6	7	8
9	10	11	12

(B-67X)

1	2	3
4	5	6
7	8	9

(B-76X)

1	2	3	4	5	6	7	8	9	10	11
12	13	14	15	16	17	18	19	20	21	22
23	24	25	26	27	28	29	30	31	32	33

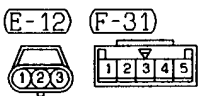
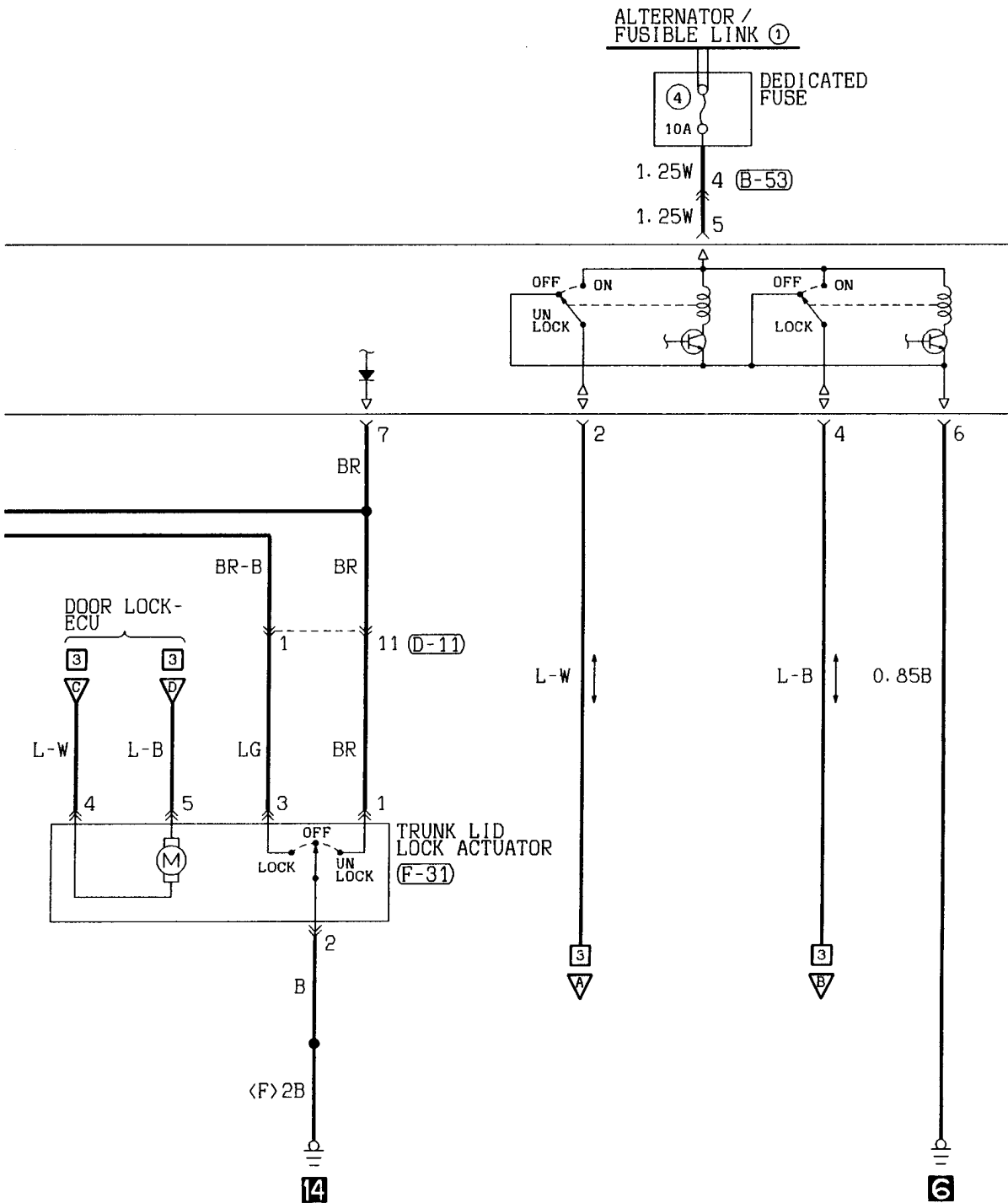
(D-11)

1	2	3	4	5	6	7	8	9	10
11	12	13	14	15	16	17	18	19	20
21	22	23	24	25	26	27	28	29	30

(E-04)

1	2	3
---	---	---

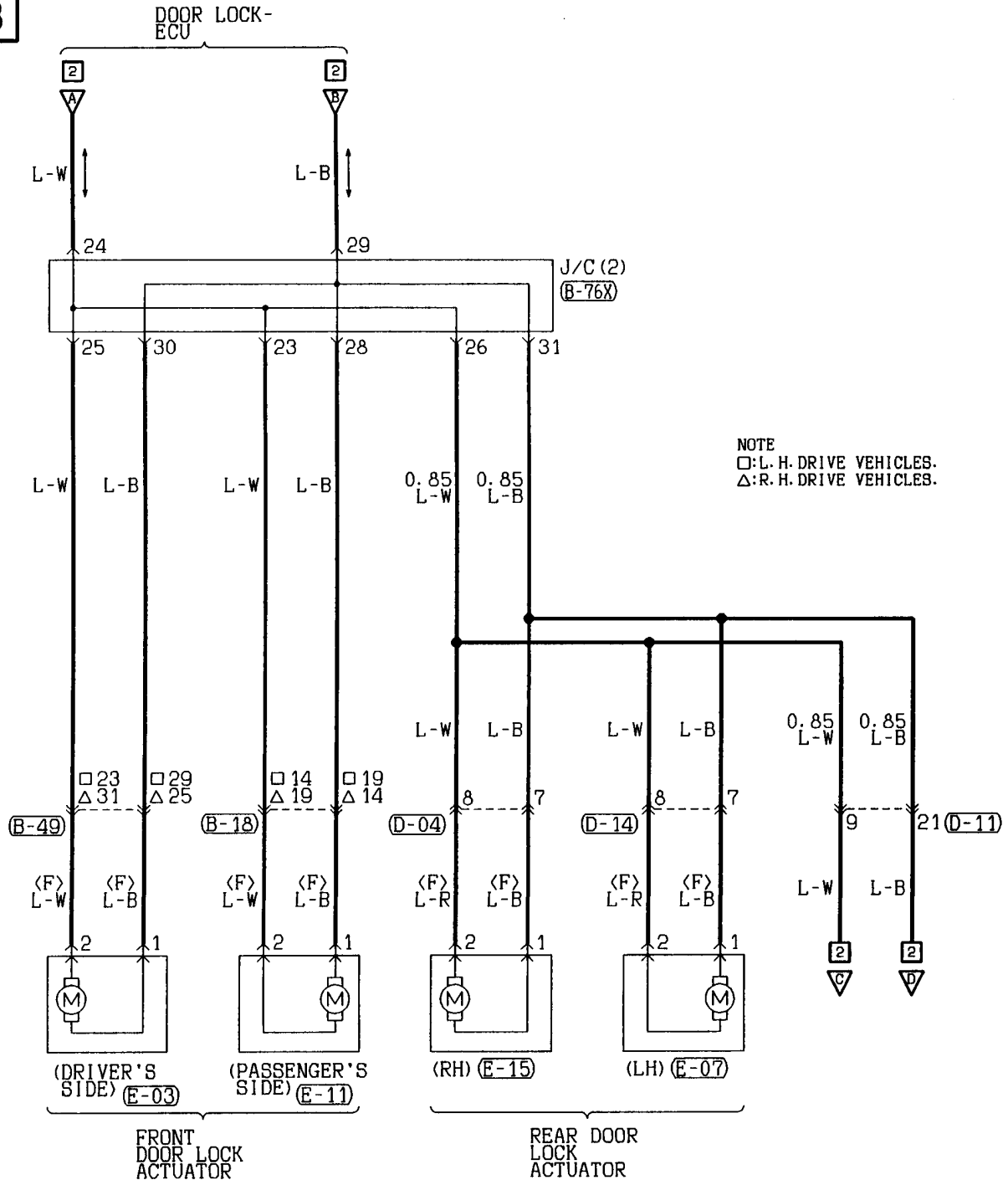
2



Wire colour code
 B:Black LG:Light green G:Green L:Blue W:White Y:Yellow SB:Sky blue
 BR:Brown O:Orange GR:Gray R:Red P:Pink V:Violet

CENTRAL DOOR LOCKING SYSTEM <Vehicles without keyless entry system (Sedan)> (CONTINUED)

3



(B-18)

(B-49)

(B-76X)

(D-04)

(D-11)

(D-14)

(E-03)

1	2	3	4
5	6	7	8
9	10	11	12
13	14	15	16
17	18	19	20
21	22	23	24

1	2	3	4	5	6	7	8	9
10	11	12	13	14	15	16	17	18
19	20	21	22	23	24	25	26	27
28	29	30	31	32				

1	2	3	4	5	6	7	8	9	10	11
12	13	14	15	16	17	18	19	20	21	22
23	24	25	26	27	28	29	30	31	32	33

1	M	2	3	
4	5	6	7	8

1	2	3	4	5	M	6	7	8	9	10	
11	12	13	14	15	16	17	18	19	20	21	22

1	M	2	3	
4	5	6	7	8

1	2
3	4

(E-07)

(E-11)

(E-15)

Wire colour code
 B : Black
 BR : Brown
 W : White
 V : Violet

LG : Light green
 O : Orange
 SB : Sky blue

G : Green
 GR : Gray
 P : Pink

L : Blue
 R : Red
 Y : Yellow

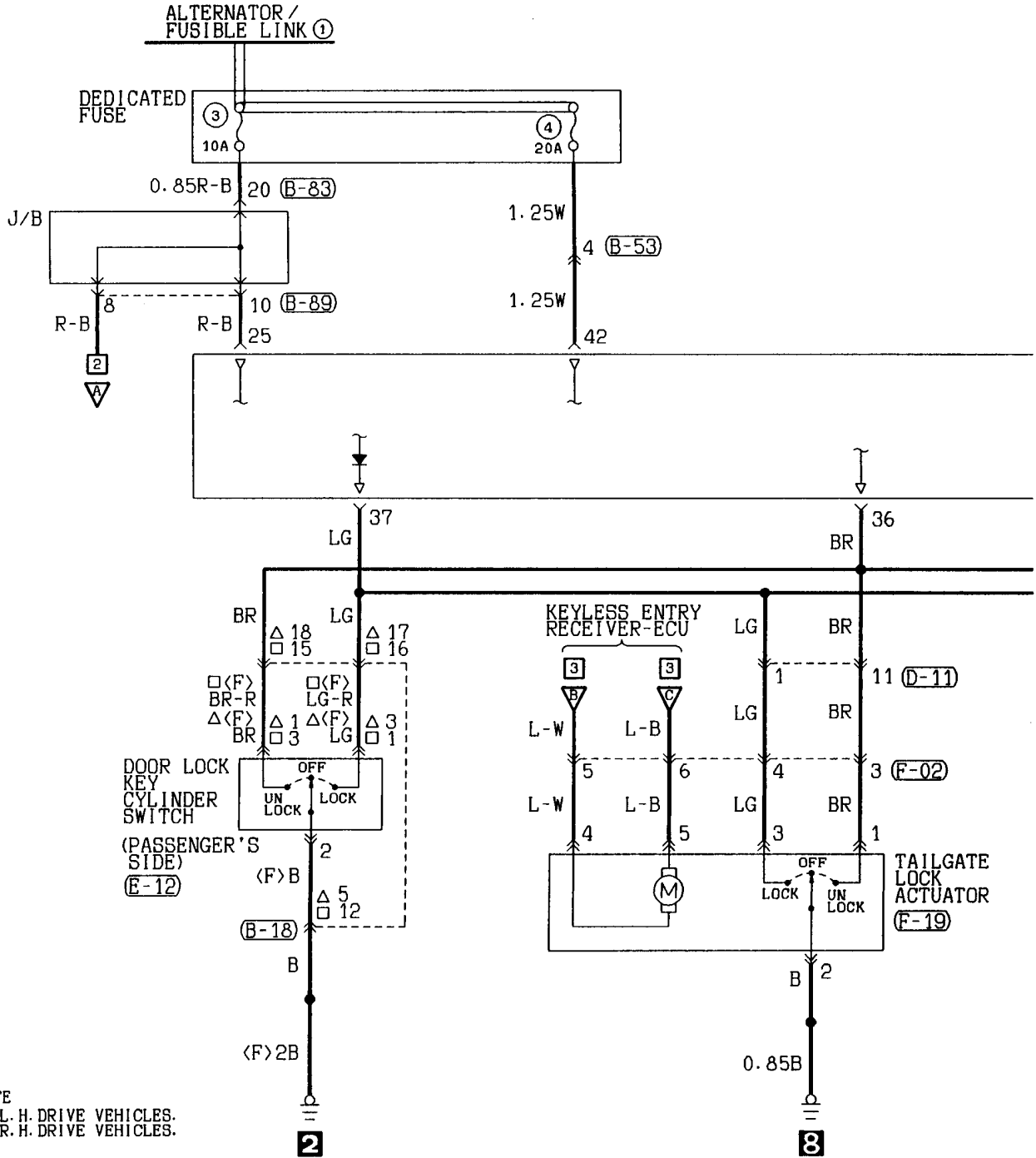


NOTES

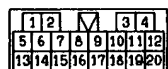
CENTRAL DOOR LOCKING SYSTEM

Vehicles with keyless entry system <Hatchback>

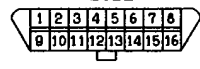
1



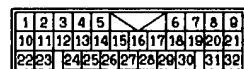
(B-18)



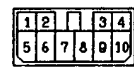
(B-41) FRONT SIDE



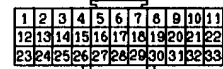
(B-49)



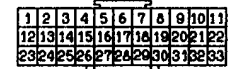
(B-53)



(B-75X)



(B-76X)



(E-03)



(E-04)



(E-12)



(E-18)



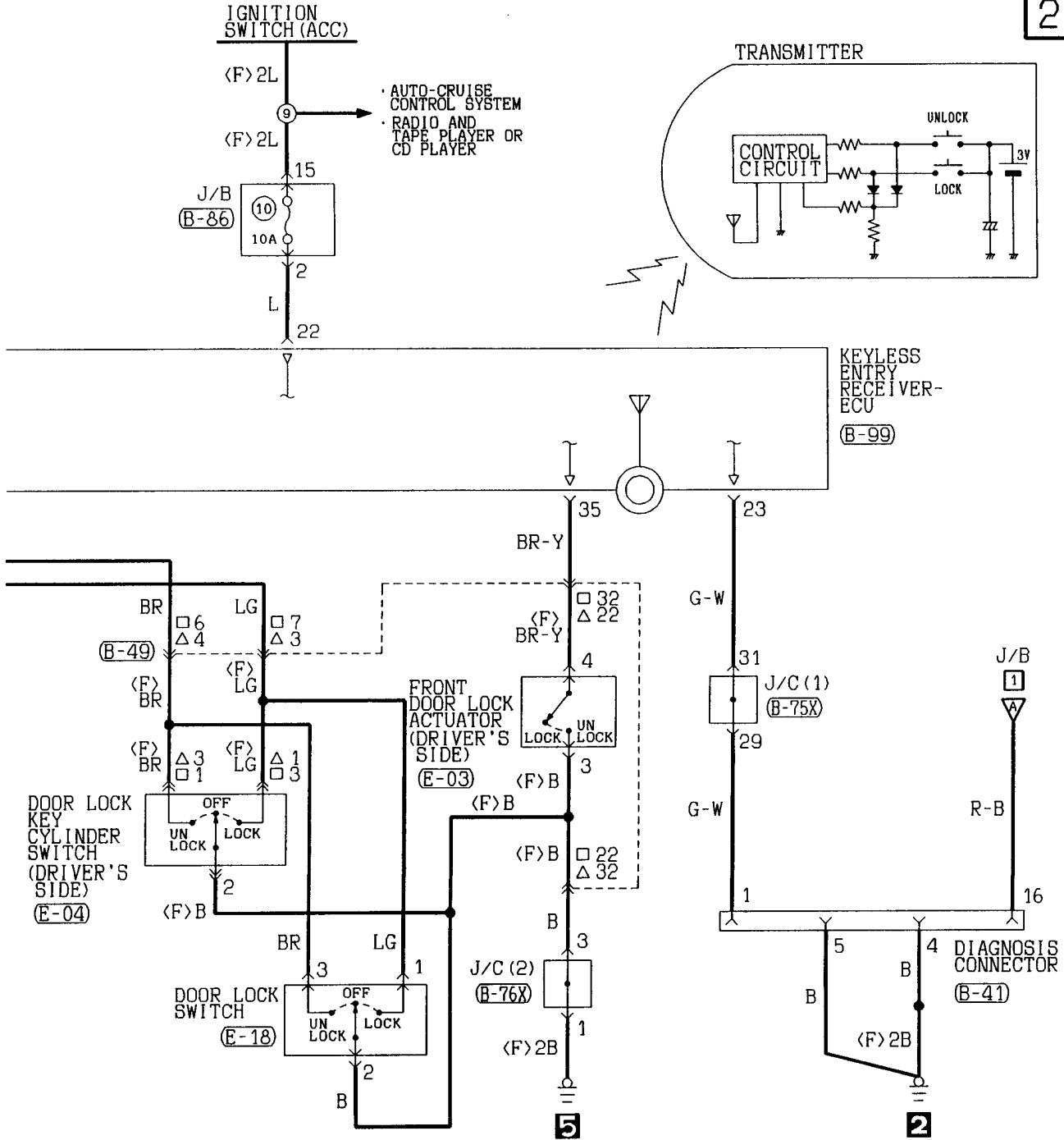
(F-02)



(F-19)



2



(B-83)

(B-86)

(B-89)

(B-99)

(D-11)

1	2	3	4	5	6	7	8	9		
10	11	12	13	14	15	16	17	18	19	20

1	2	3	4	5	6	7	8		
9	10	11	12	13	14	15	16	17	18

1	2	3	4	5	6	7	8	9	10		
11	12	13	14	15	16	17	18	19	20	21	22

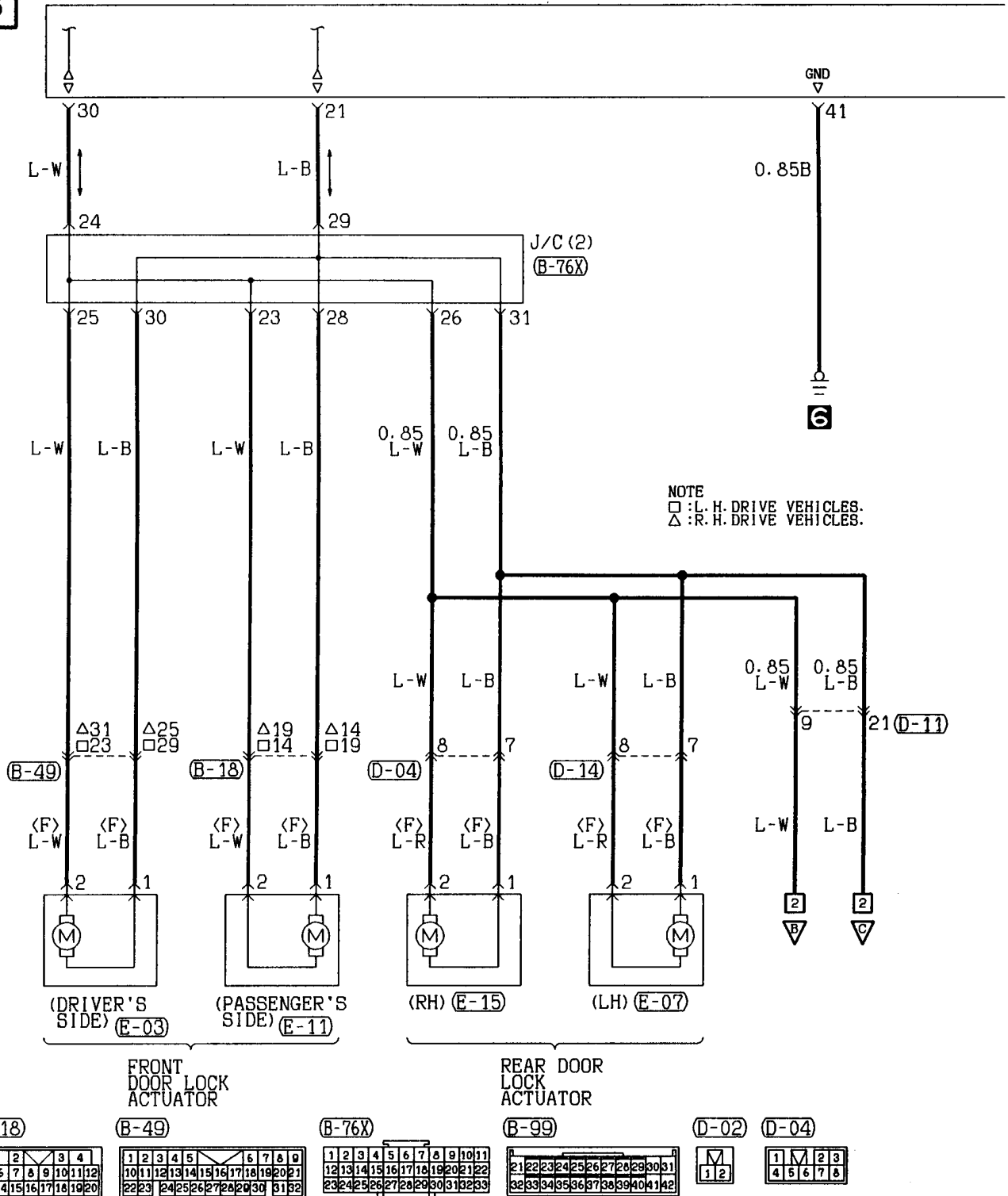
21	22	23	24	25	26	27	28	29	30	31
32	33	34	35	36	37	38	39	40	41	42

1	2	3	4	5	6	7	8	9	10		
11	12	13	14	15	16	17	18	19	20	21	22

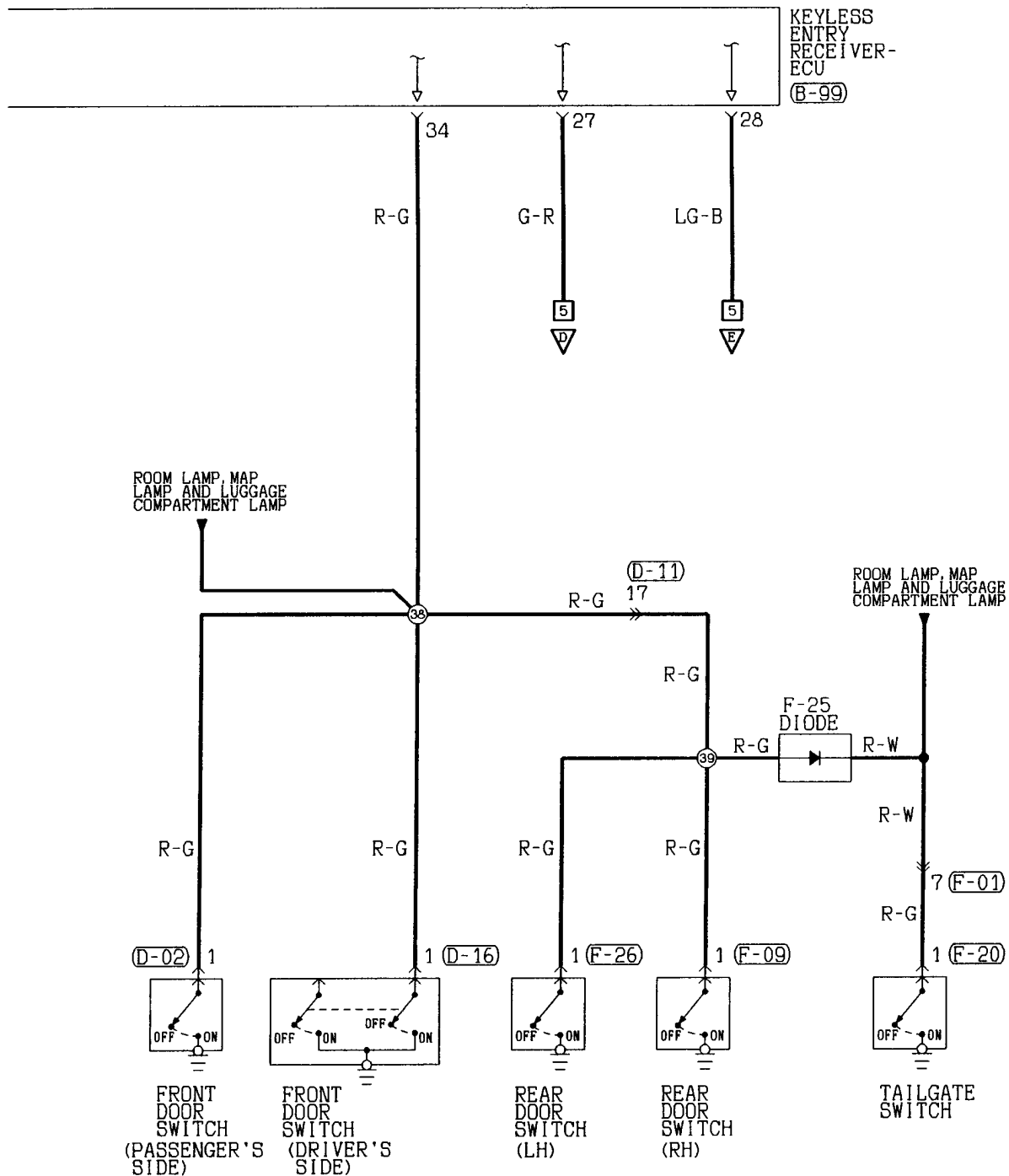
Wire colour code
 B : Black LG : Light green G : Green L : Blue W : White Y : Yellow SB : Sky blue
 BR : Brown O : Orange GR : Gray R : Red P : Pink V : Violet

CENTRAL DOOR LOCKING SYSTEM <Vehicles with keyless entry system (Hatchback)> (CONTINUED)

3



4

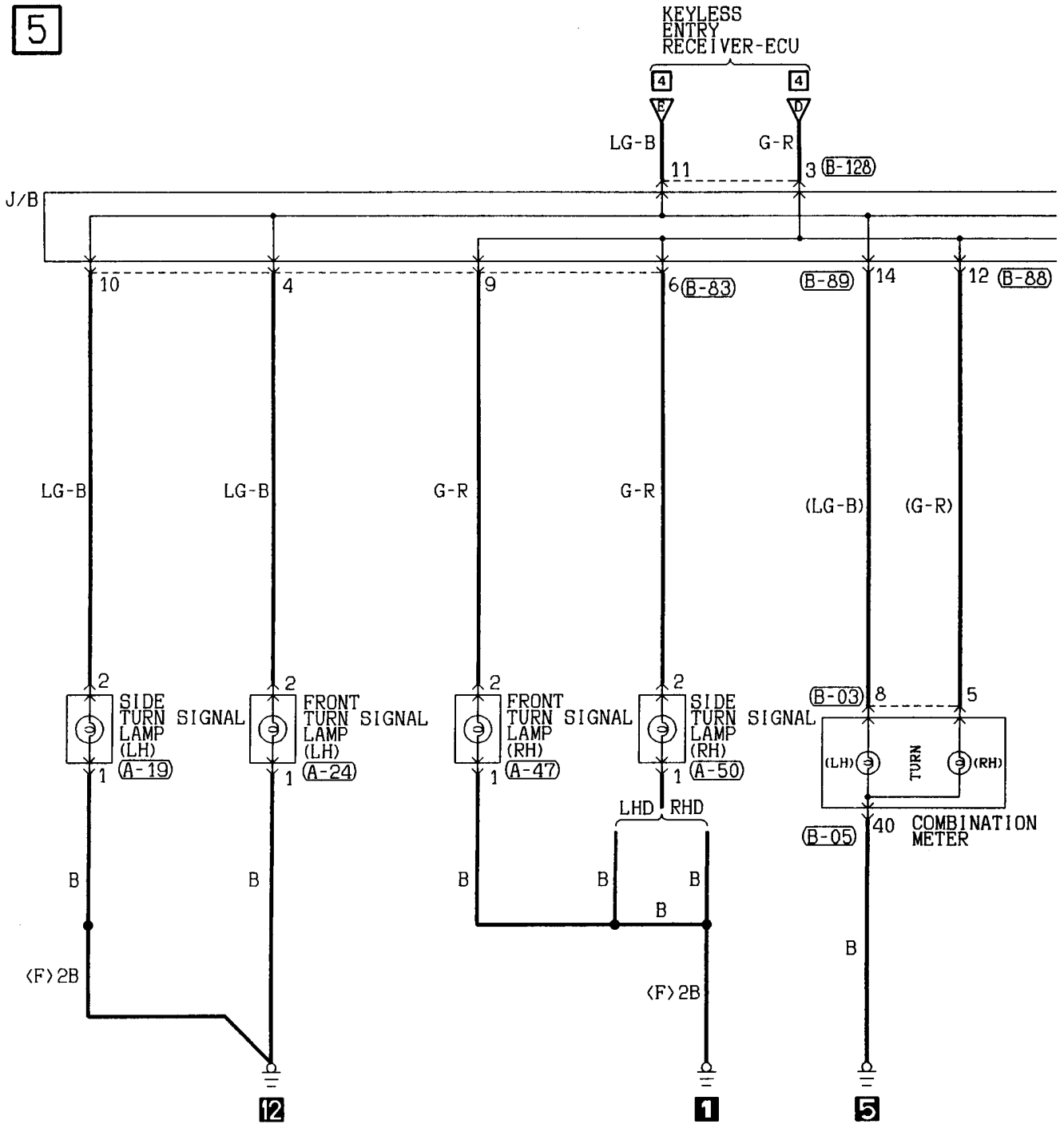


(D-11)	(D-14)	(D-16)	(E-03)	(E-07)	(E-11)	(E-15)	(F-01)	(F-09)	(F-20)	(F-26)																																																								
<table border="1"> <tr><td>1</td><td>2</td><td>3</td><td>4</td><td>5</td><td>6</td><td>7</td><td>8</td><td>9</td><td>10</td></tr> <tr><td>11</td><td>12</td><td>13</td><td>14</td><td>15</td><td>16</td><td>17</td><td>18</td><td>19</td><td>20</td><td>21</td><td>22</td></tr> </table>	1	2	3	4	5	6	7	8	9	10	11	12	13	14	15	16	17	18	19	20	21	22	<table border="1"> <tr><td>1</td><td>2</td><td>3</td><td>4</td><td>5</td><td>6</td><td>7</td><td>8</td></tr> </table>	1	2	3	4	5	6	7	8	<table border="1"> <tr><td>1</td><td>2</td></tr> </table>	1	2	<table border="1"> <tr><td>1</td><td>2</td><td>3</td><td>4</td></tr> </table>	1	2	3	4	<table border="1"> <tr><td>1</td><td>2</td></tr> </table>	1	2	<table border="1"> <tr><td>1</td><td>2</td></tr> </table>	1	2	<table border="1"> <tr><td>1</td><td>2</td></tr> </table>	1	2	<table border="1"> <tr><td>1</td><td>2</td><td>3</td><td>4</td><td>5</td><td>6</td><td>7</td><td>8</td></tr> </table>	1	2	3	4	5	6	7	8	<table border="1"> <tr><td>1</td><td>2</td></tr> </table>	1	2	<table border="1"> <tr><td>1</td><td>2</td></tr> </table>	1	2	<table border="1"> <tr><td>1</td><td>2</td></tr> </table>	1	2
1	2	3	4	5	6	7	8	9	10																																																									
11	12	13	14	15	16	17	18	19	20	21	22																																																							
1	2	3	4	5	6	7	8																																																											
1	2																																																																	
1	2	3	4																																																															
1	2																																																																	
1	2																																																																	
1	2																																																																	
1	2	3	4	5	6	7	8																																																											
1	2																																																																	
1	2																																																																	
1	2																																																																	

Wire colour code
 B:Black LG:Light green G:Green L:Blue W:White Y:Yellow SB:Sky blue
 BR:Brown O:Orange GR:Gray R:Red P:Pink V:Violet

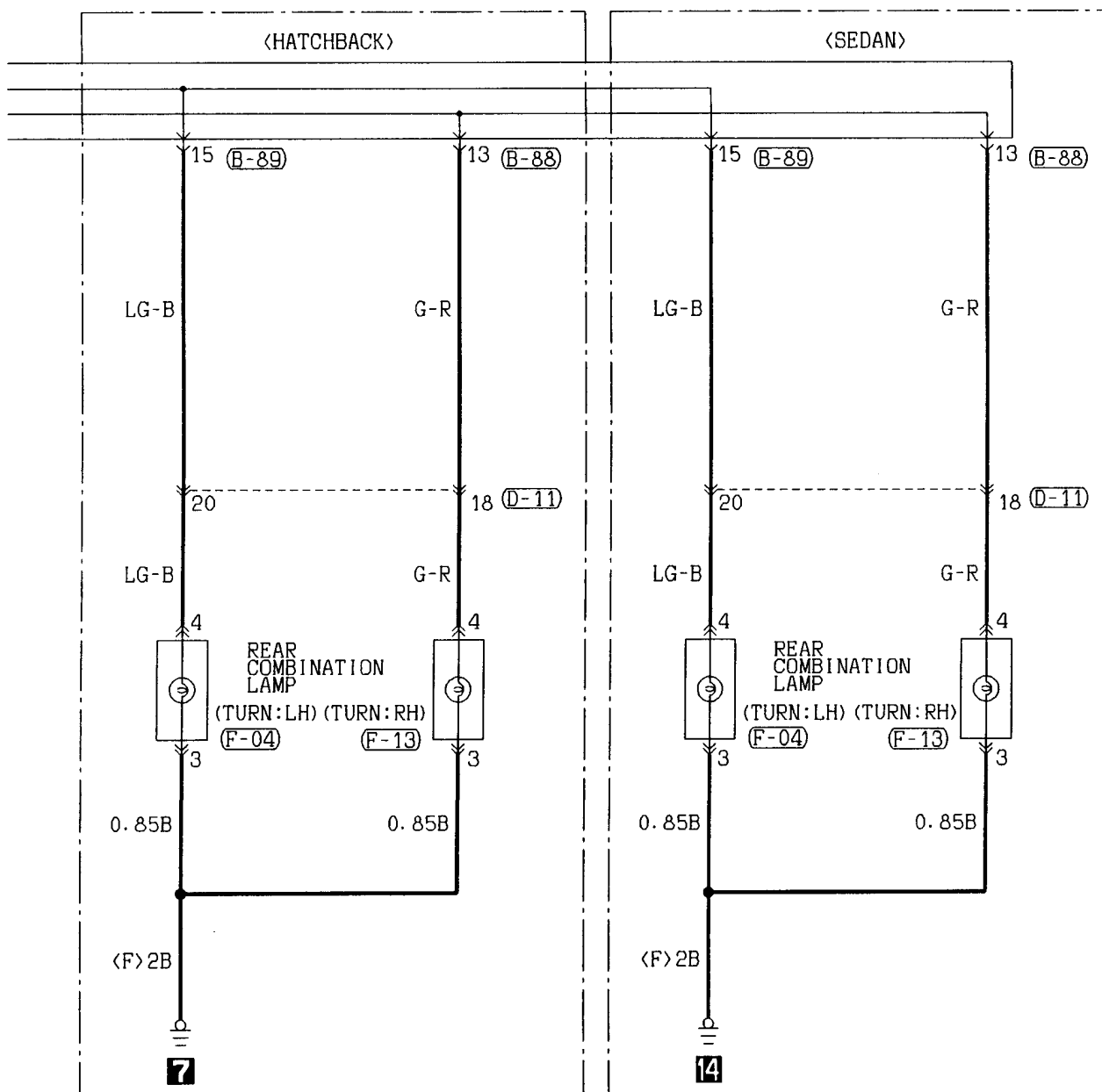
CENTRAL DOOR LOCKING SYSTEM <Vehicles with keyless entry system (Hatchback)> (CONTINUED)

5



(A-19)	(A-24)	(A-47)	(A-50)	(B-03)	(B-05)	(B-83)	(B-88)
02	12	12	02	1 2 3 4 5 6 7 8 9 10 11 12 13 14 15 16 17 18 19 20 21 22 23 24 25	31 32 33 34 35 36 37 38 39 40 41 42 43 44 45 46 47 48 49 50 51 52 53 54 55	1 2 3 4 5 6 7 8 9 10 11 12 13 14 15 16 17 18 19 20	1 2 3 4 5 6 7 8 9 10 11 12 13 14 15 16 17 18 19 20 21 22

6



(B-89)

(B-128)

(D-11)

(F-04)

(F-13)

1	2	3	4	5	6	7	8	9	10
11	12	13	14	15	16	17	18	19	20
21	22								

1	2	3	4	5	6	7	8
9	10	11	12	13	14	15	16
17	18						

1	2	3	4	5	6	7	8	9	10
11	12	13	14	15	16	17	18	19	20
21	22								

1	2
3	4
5	6

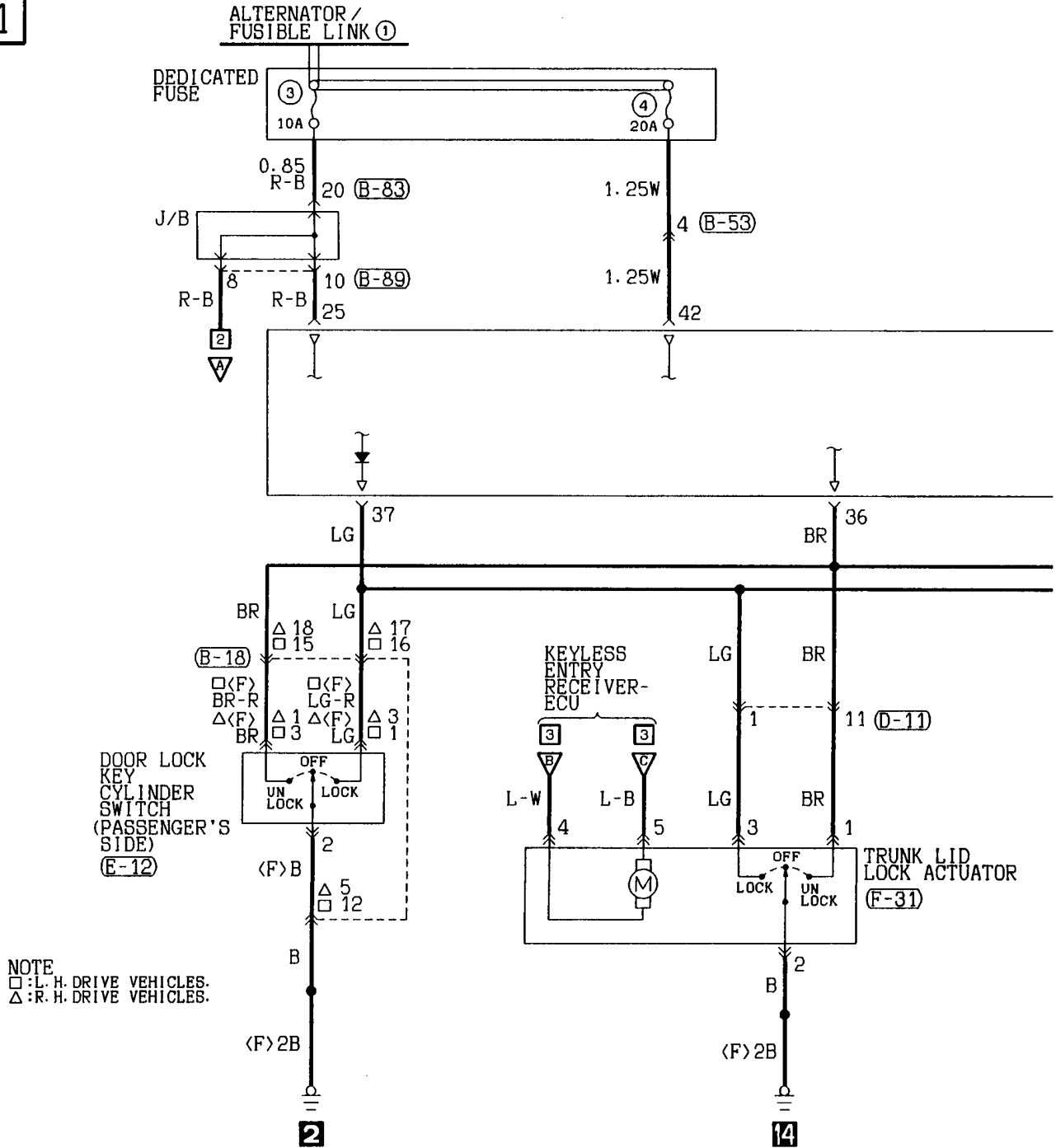
1	2
3	4
5	6

Wire colour code
 B : Black LG: Light green G : Green L : Blue W : White Y : Yellow SB: Sky blue
 BR: Brown O : Orange GR: Gray R : Red P : Pink V : Violet

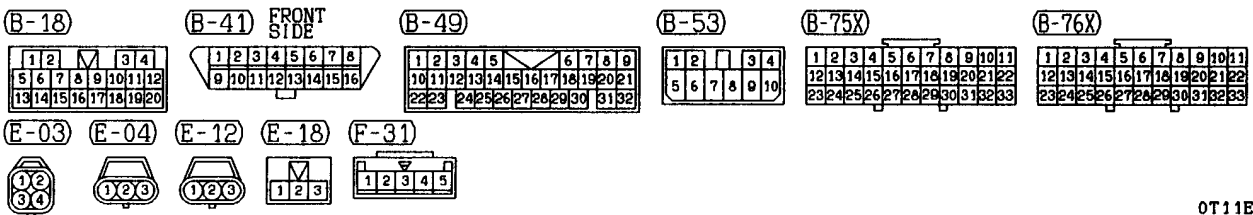
CENTRAL DOOR LOCKING SYSTEM

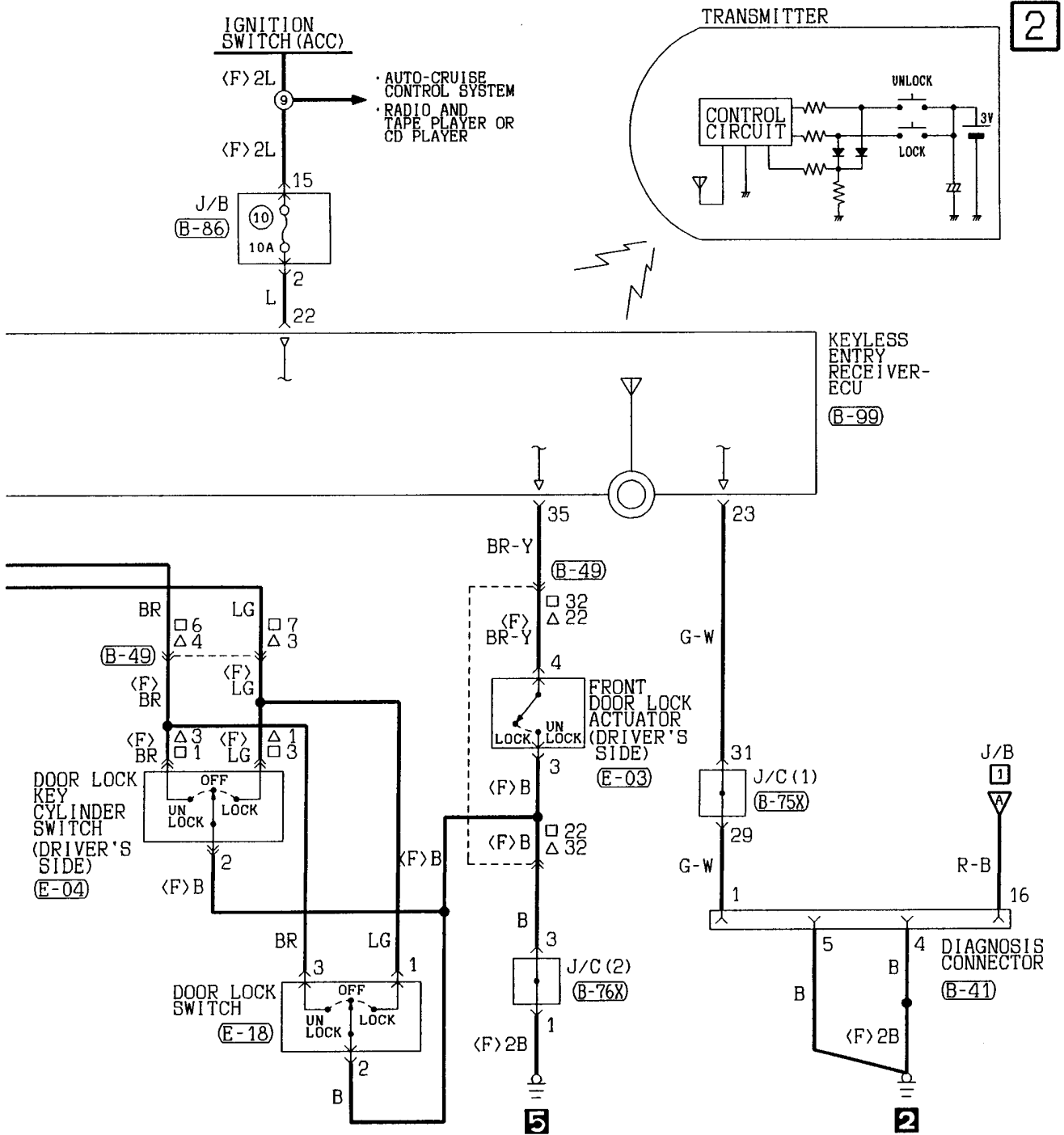
Vehicles with keyless entry system <Sedan>

1



NOTE
 □ : L. H. DRIVE VEHICLES.
 △ : R. H. DRIVE VEHICLES.





(B-83)

1	2	3	4	M	5	6	7	8	9	
10	11	12	13	14	15	16	17	18	19	20

(B-86)

1	2	3	4	M	5	6	7	8	
9	10	11	12	13	14	15	16	17	18

(B-89)

1	2	3	4	5	M	6	7	8	9	10	
11	12	13	14	15	16	17	18	19	20	21	22

(B-99)

1	2	3	4	5	6	7	8	9	10	11	12	13	14	15	16	17	18	19	20	21	22	23	24	25	26	27	28	29	30	31
32	33	34	35	36	37	38	39	40	41	42																				

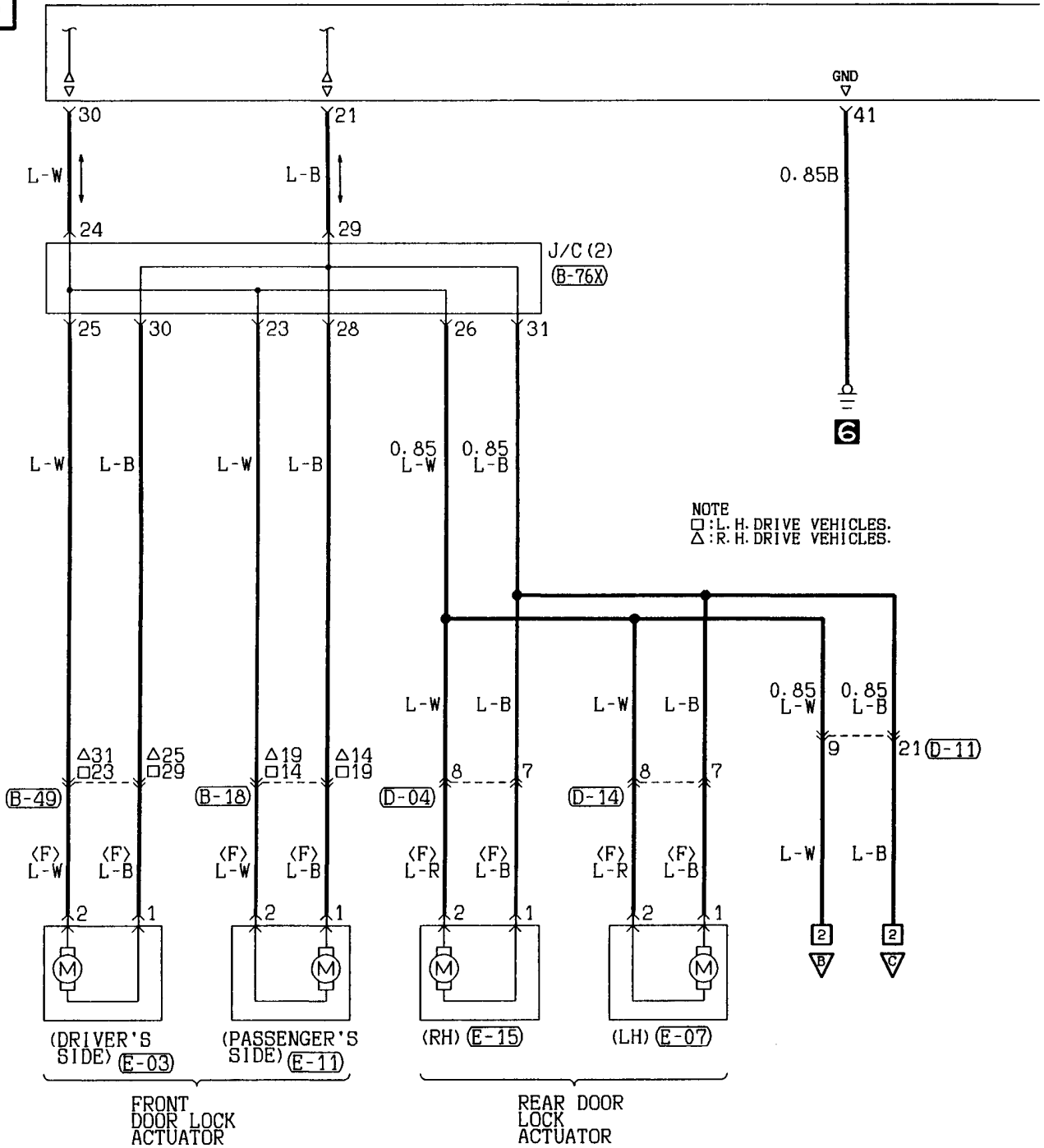
(D-11)

1	2	3	4	5	M	6	7	8	9	10	
11	12	13	14	15	16	17	18	19	20	21	22

Wire colour code
 B:Black LG:Light green G:Green L:Blue W:White Y:Yellow SB:Sky blue
 BR:Brown O:Orange GR:Gray R:Red P:Pink V:Violet

CENTRAL DOOR LOCKING SYSTEM <Vehicles with keyless entry system (Sedan)> (CONTINUED)

3



(B-18)

1	2	3	4
5	6	7	8
9	10	11	12
13	14	15	16
17	18	19	20

(B-49)

1	2	3	4	5	6	7	8	9
10	11	12	13	14	15	16	17	18
19	20	21	22	23	24	25	26	27
28	29	30	31	32				

(B-76X)

1	2	3	4	5	6	7	8	9	10	11
12	13	14	15	16	17	18	19	20	21	22
23	24	25	26	27	28	29	30	31	32	33

(B-99)

21	22	23	24	25	26	27	28	29	30	31
32	33	34	35	36	37	38	39	40	41	42

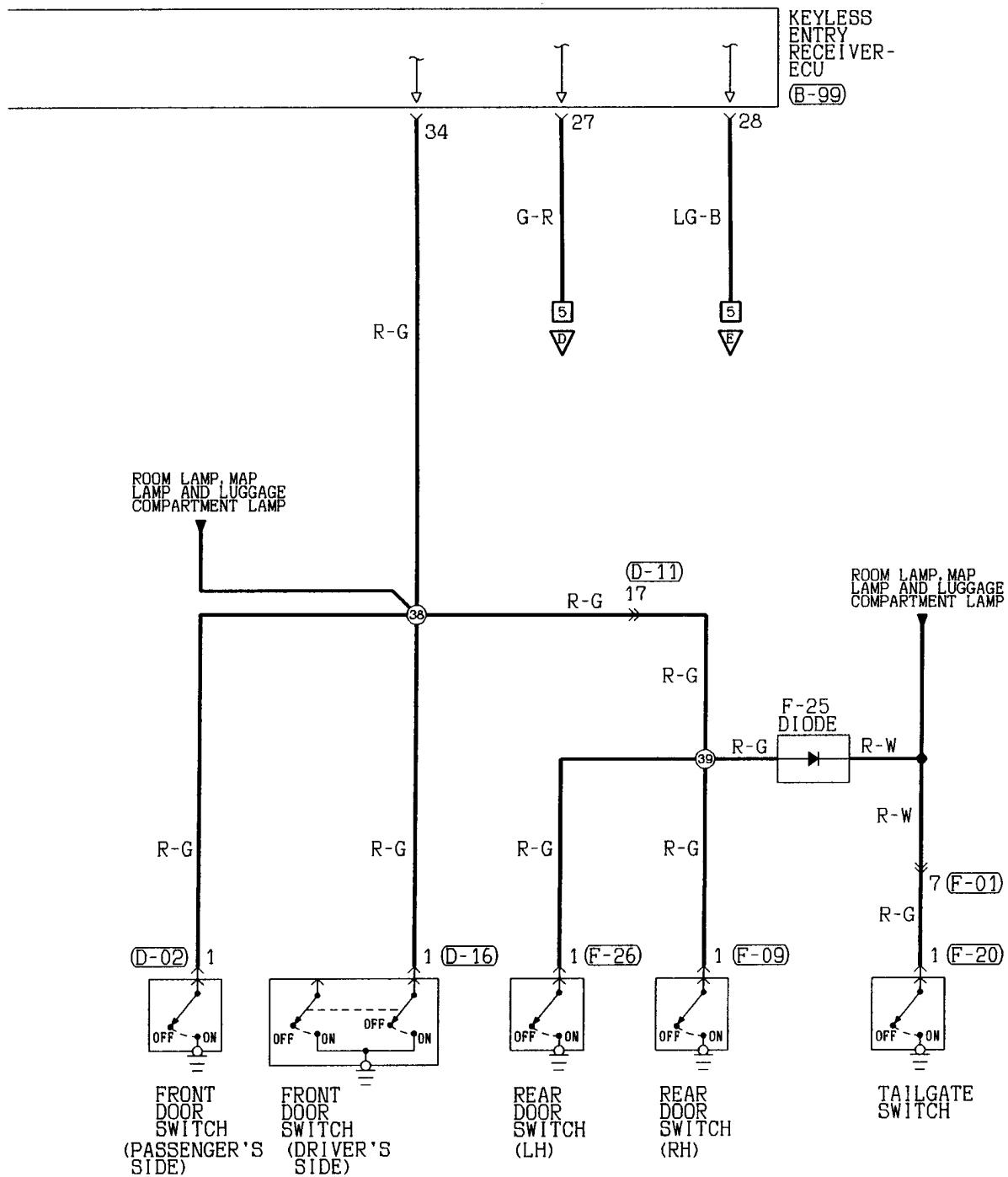
(D-02)

M	1	2
---	---	---

(D-04)

1	M	2	3	
4	5	6	7	8

4

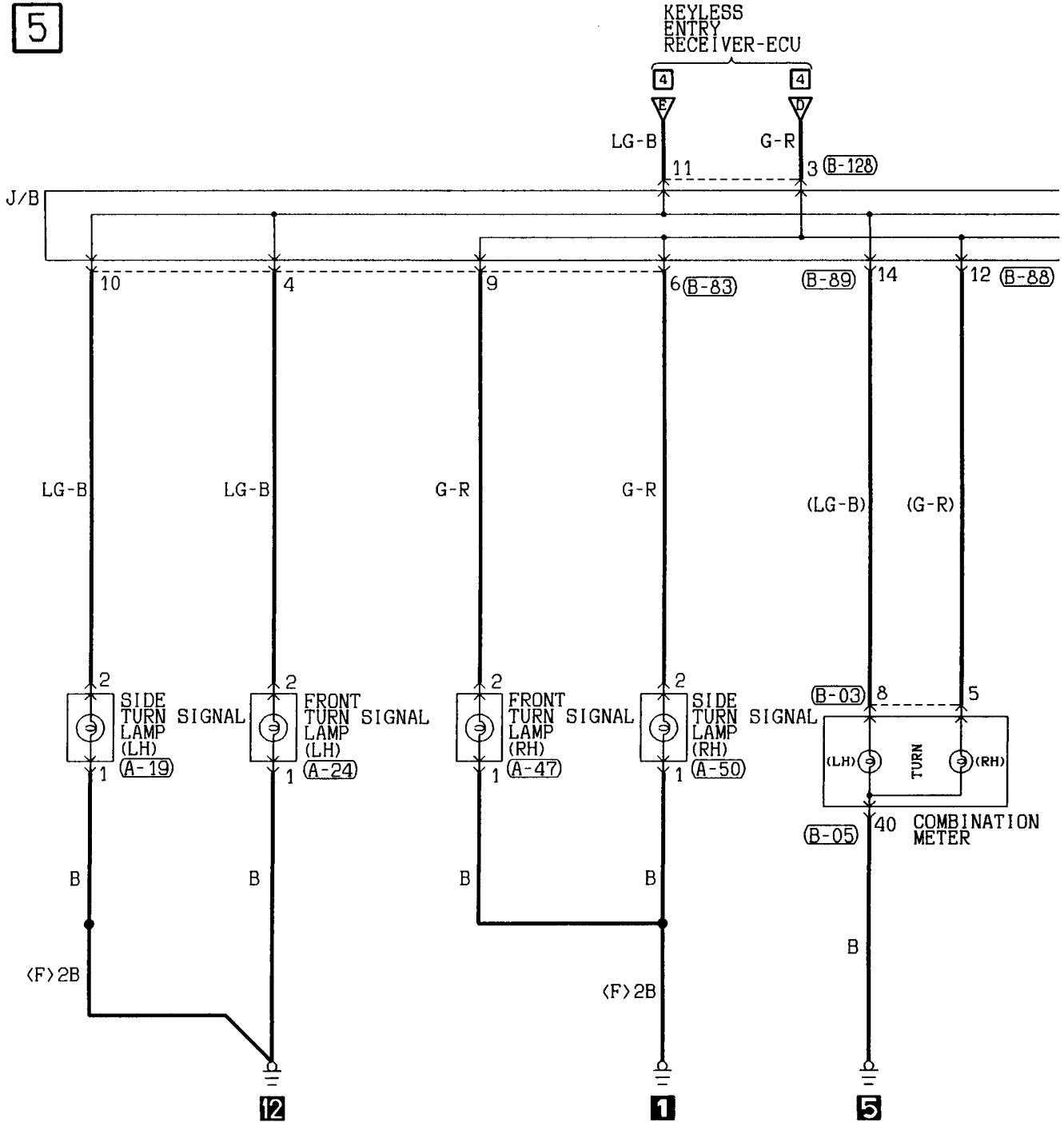


(D-11)	(D-14)	(D-16)	(E-03)	(E-07)	(E-11)	(E-15)	(F-01)	(F-09)	(F-20)	(F-26)
1 2 3 4 5 6 7 8 9 10 11 12 13 14 15 16 17 18 19 20 21 22	1 2 3 4 5 6 7 8	1 2	1 2 3 4	1 2	1 2	1 2	1 2 3 4 5 6 7 8	1	1	1

Wire colour code
 B :Black LG:Light green G :Green L :Blue W :White Y :Yellow SB:Sky blue
 BR:Brown O :Orange GR:Gray R :Red P :Pink V :Violet

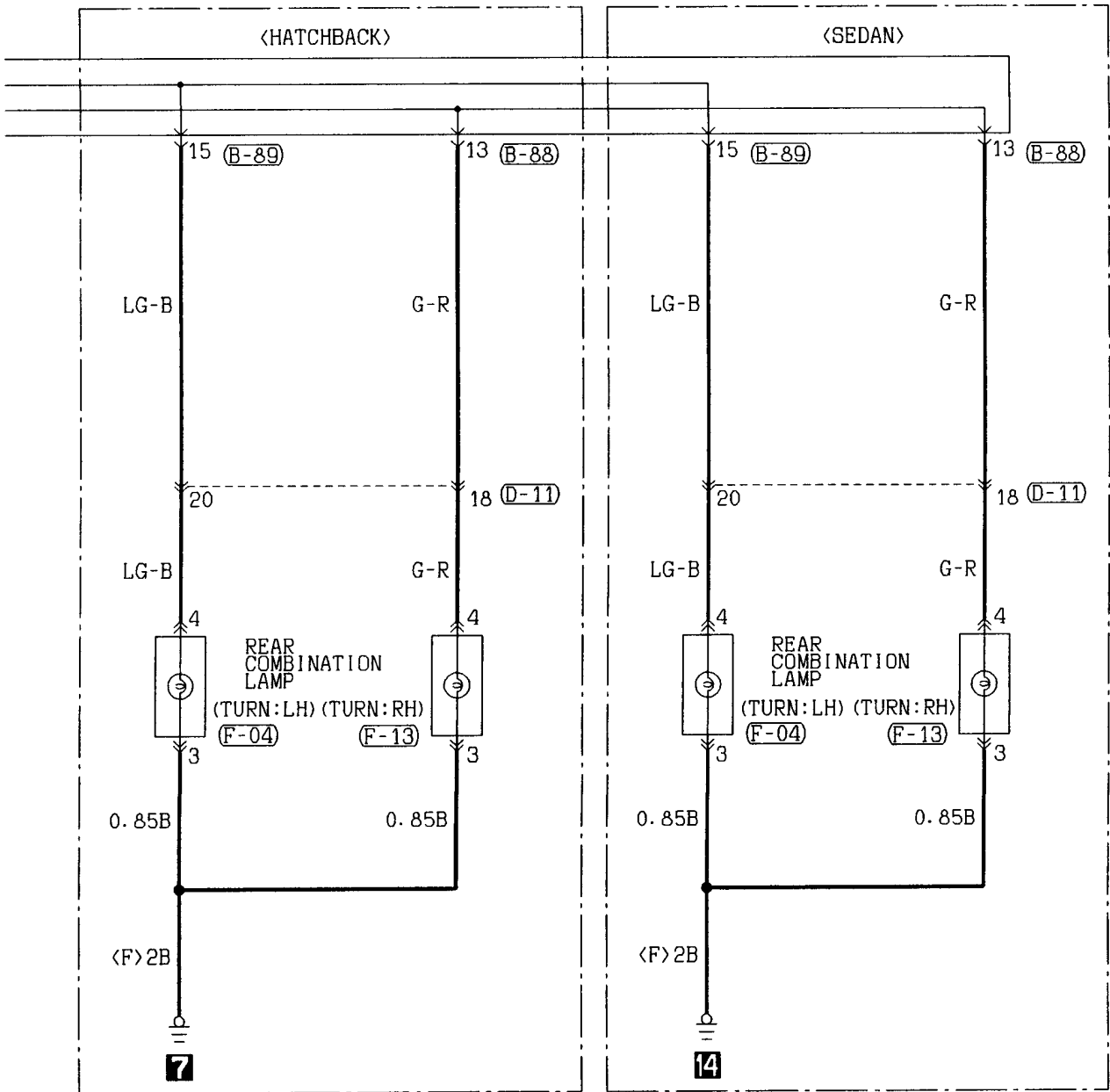
CENTRAL DOOR LOCKING SYSTEM <Vehicles with keyless entry system (Sedan)> (CONTINUED)

5



(A-19)	(A-24)	(A-47)	(A-50)	(B-03)	(B-05)	(B-83)	(B-88)
02	12	12	02	1 2 3 4 5 6 7 8 9 10 11 12 13	3 13 23 33 34 35 36 37 38 39 40 41 42 43	1 2 3 4 5 6 7 8 9 10 11 12 13 14 15 16 17 18 19 20	1 2 3 4 5 6 7 8 9 10 11 12 13 14 15 16 17 18 19 20 21 22
				14 15 16 17 18 19 20 21 22 23 24 25	44 45 46 47 48 49 50 51 52 53 54 55		

6



(B-89)

(B-128)

(D-11)

(F-04)

(F-13)

1	2	3	4	5	6	7	8	9	10		
11	12	13	14	15	16	17	18	19	20	21	22

1	2	3	4	5	6	7	8		
9	10	11	12	13	14	15	16	17	18

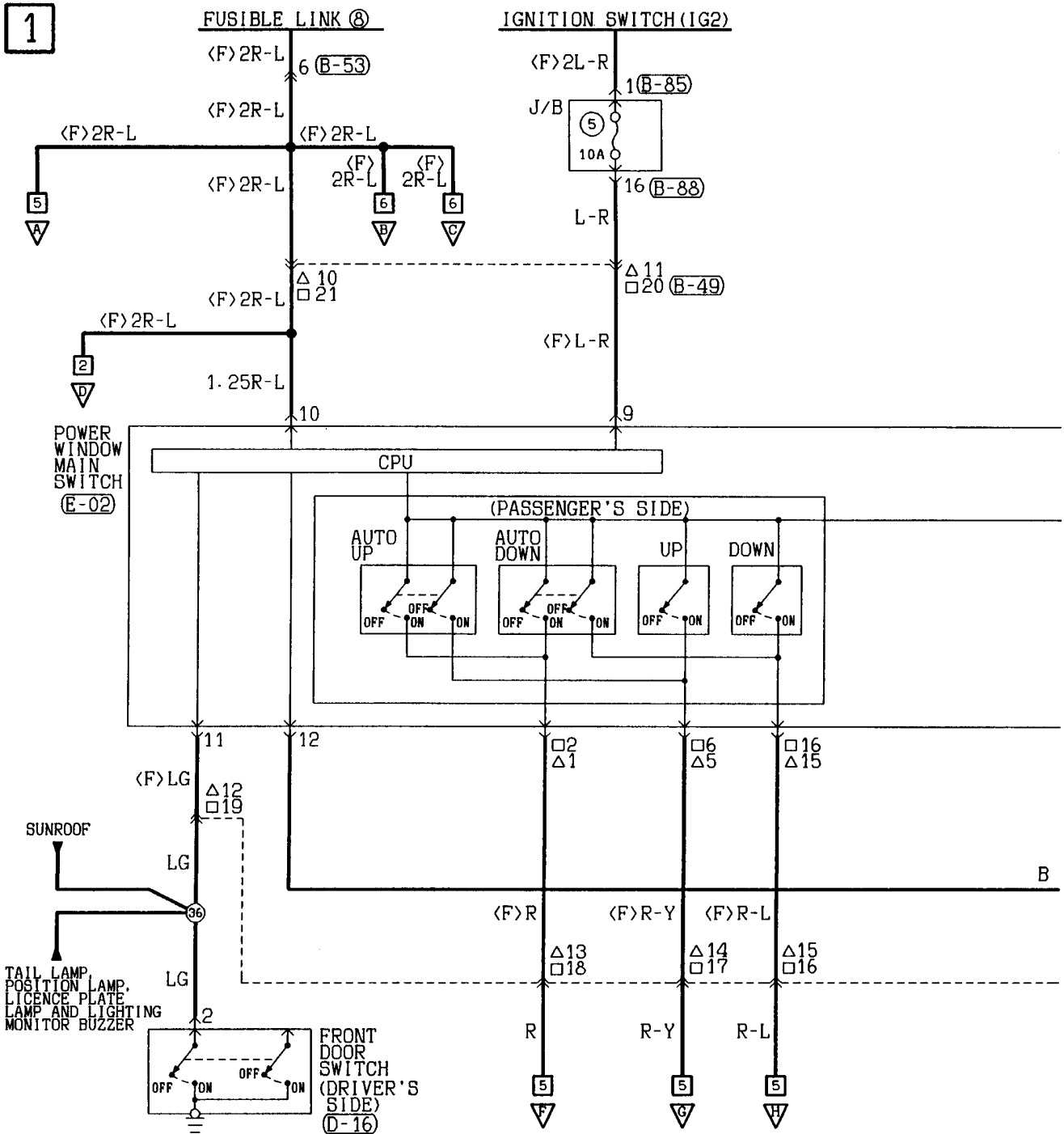
1	2	3	4	5	6	7	8	9	10		
11	12	13	14	15	16	17	18	19	20	21	22

1	2		
3	4	5	6

1	2		
3	4	5	6

Wire colour code
 B : Black LG:Light green G :Green L :Blue W :White Y :Yellow SB:Sky blue
 BR:Brown O :Orange GR:Gray R :Red P :Pink V :Violet

POWER WINDOWS



(B-49)

(B-53)

(B-85)

(B-88)

(D-16)

(E-02)

(E-05)

1	2	3	4	5	6	7	8	9
10	11	12	13	14	15	16	17	18
19	20	21	22	23	24	25	26	27
28	29	30	31	32				

1	2	3	4
5	6	7	8
9	10		

1	2	3
---	---	---

1	2	3	4	5	M	6	7	8	9	10
11	12	13	14	15	16	17	18	19	20	21
22										

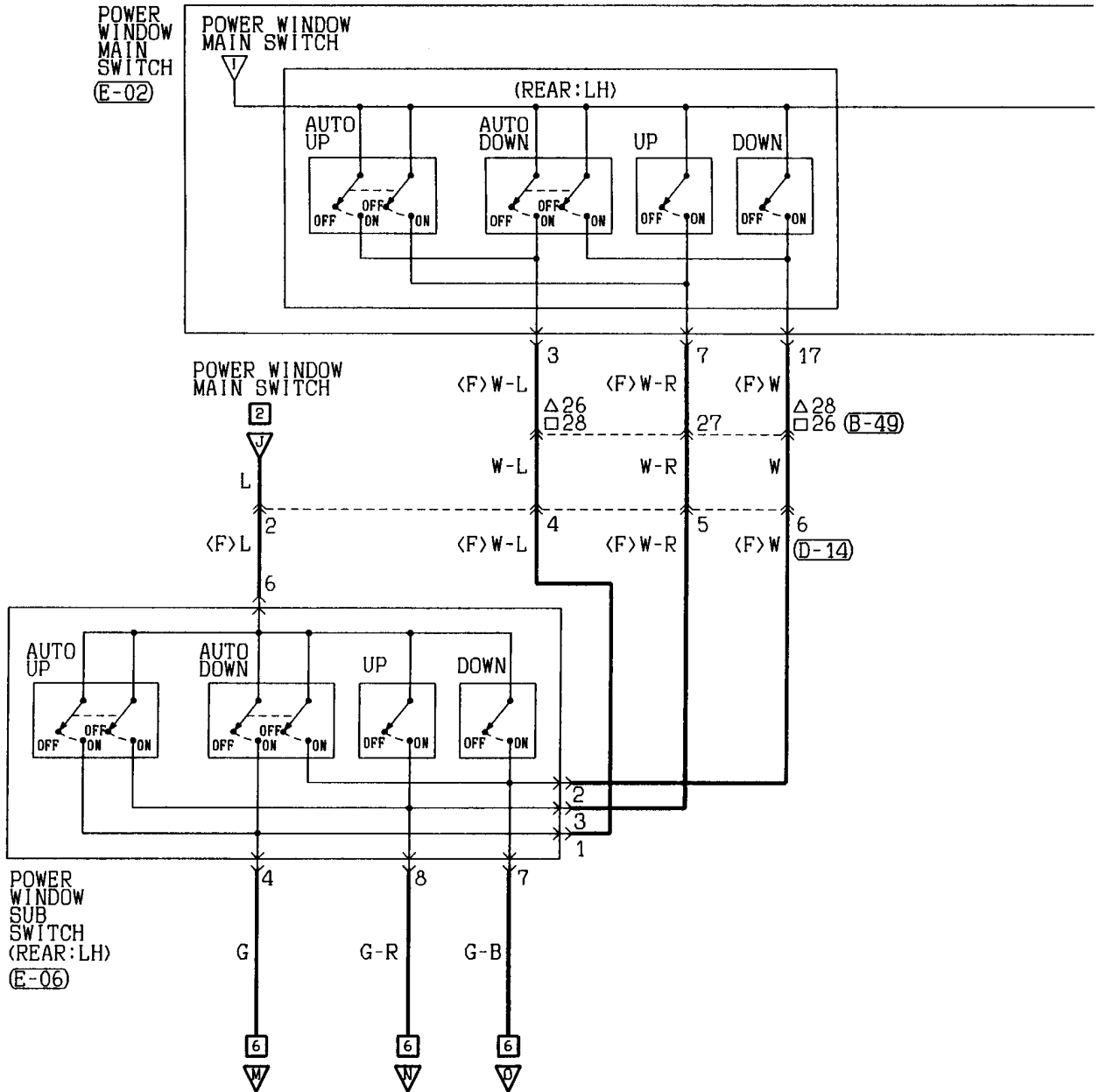
M	1	2
---	---	---

1	2	3	4	M	5	6	7	8
9	10	11	12	13	14	15	16	17
18								

1	2	3
4	5	6

POWER WINDOWS (CONTINUED)

3



B-49

1	2	3	4	5	6	7	8	9
10	11	12	13	14	15	16	17	18
19	20	21	22	23	24	25	26	27
28	29	30	31	32				

D-04

1	2	3	
4	5	6	7

D-14

1	2	3	
4	5	6	7

E-02

1	2	3	4	5	6	7	8
9	10	11	12	13	14	15	16
17	18						

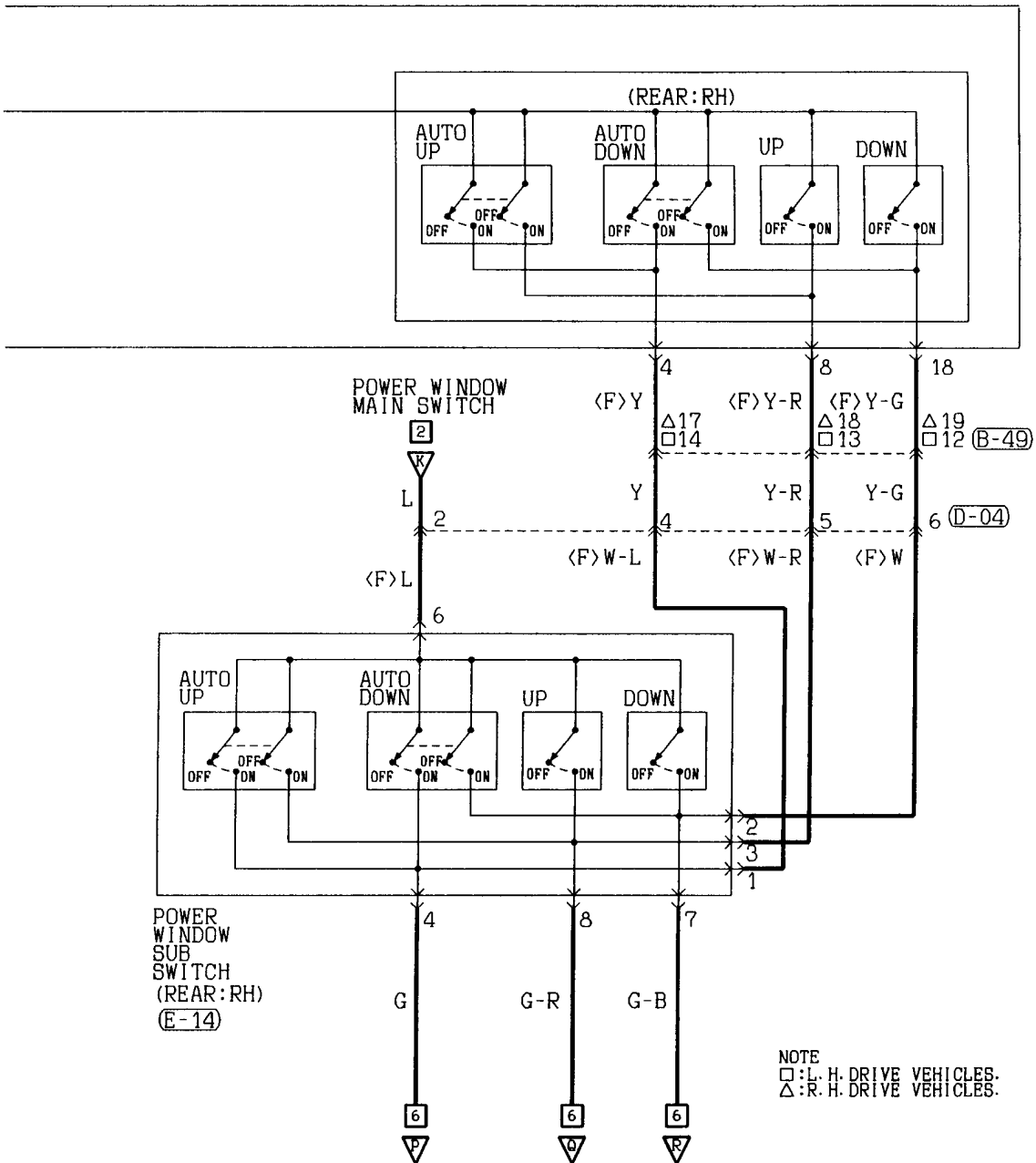
E-06

1	2	3	
4	5	6	7

E-14

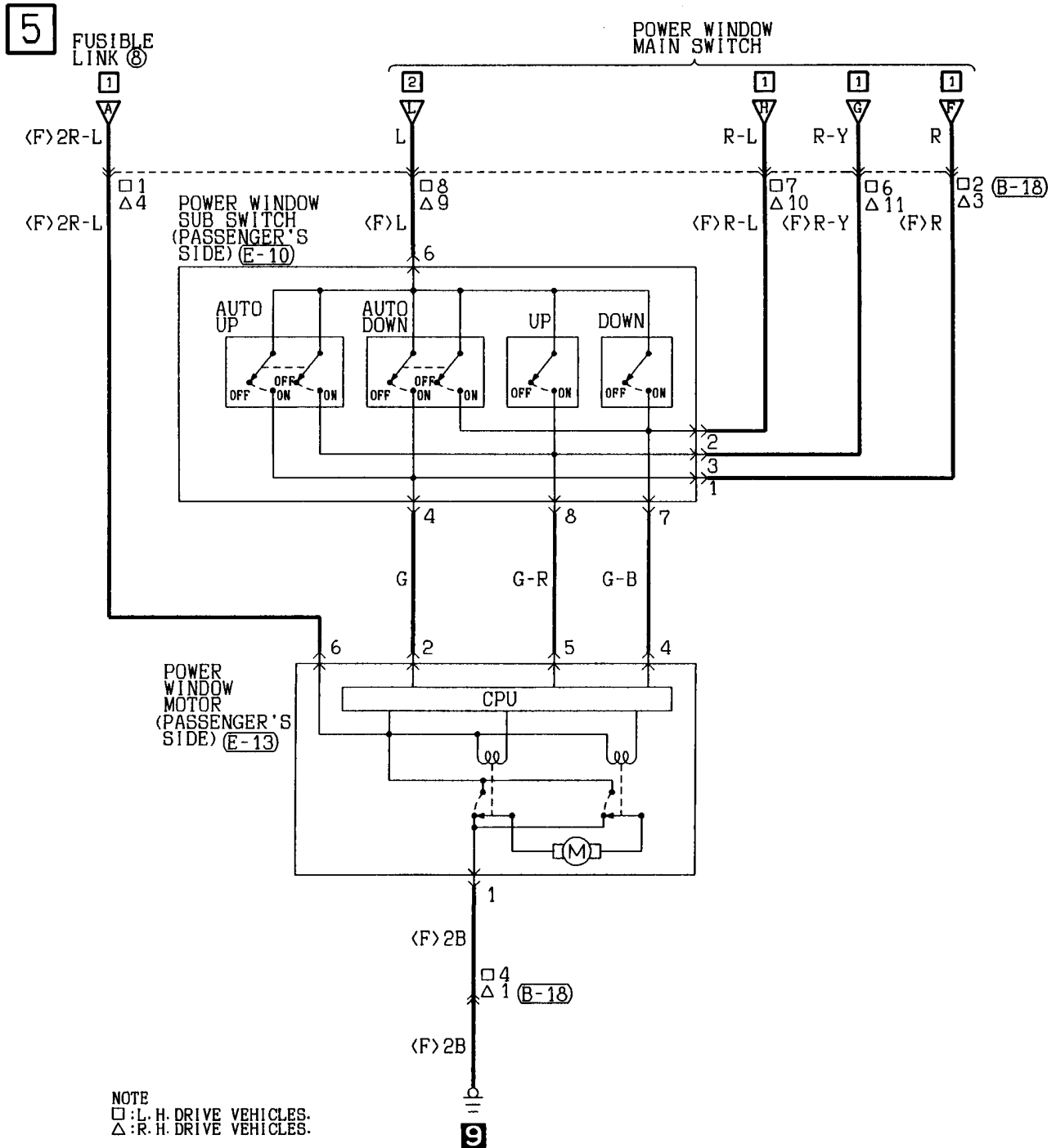
1	2	3	
4	5	6	7

4



Wire colour code
 B:Black LG:Light green G:Green L:Blue W:White Y:Yellow SB:Sky blue
 BR:Brown O:Orange GR:Gray R:Red P:Pink V:Violet

POWER WINDOWS (CONTINUED)



(B-18)

(D-04)

(D-14)

(E-08)

(E-10)

(E-13)

(E-16)

1	2	3	4
5	6	7	8
9	10	11	12
13	14	15	16
17	18	19	20

1	2	3
4	5	6
7	8	

1	2	3
4	5	6
7	8	

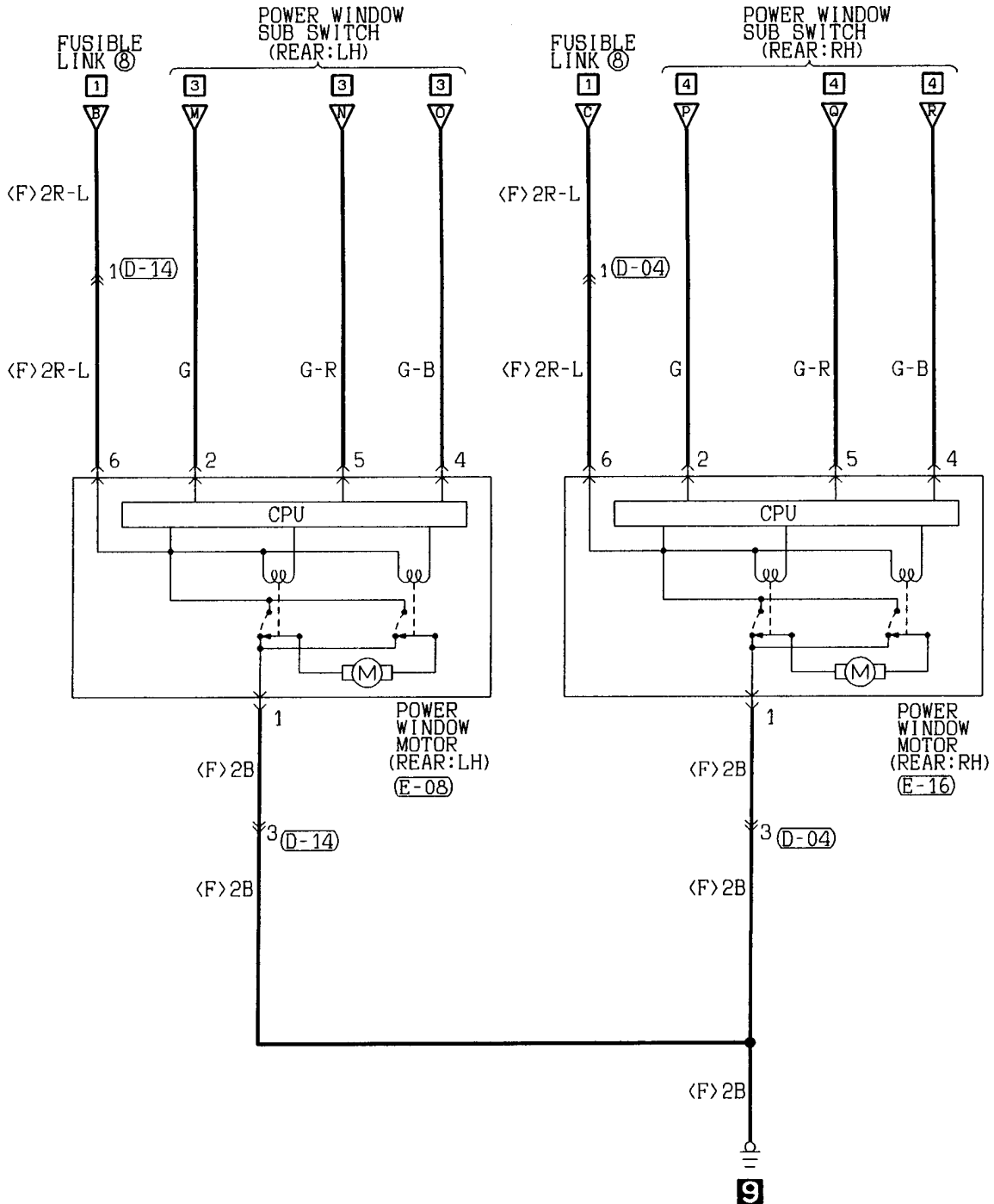
1	2	3
4	5	6

1	2	3
4	5	6
7	8	

1	2	3
4	5	6

1	2	3
4	5	6

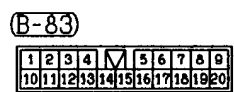
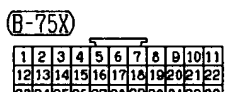
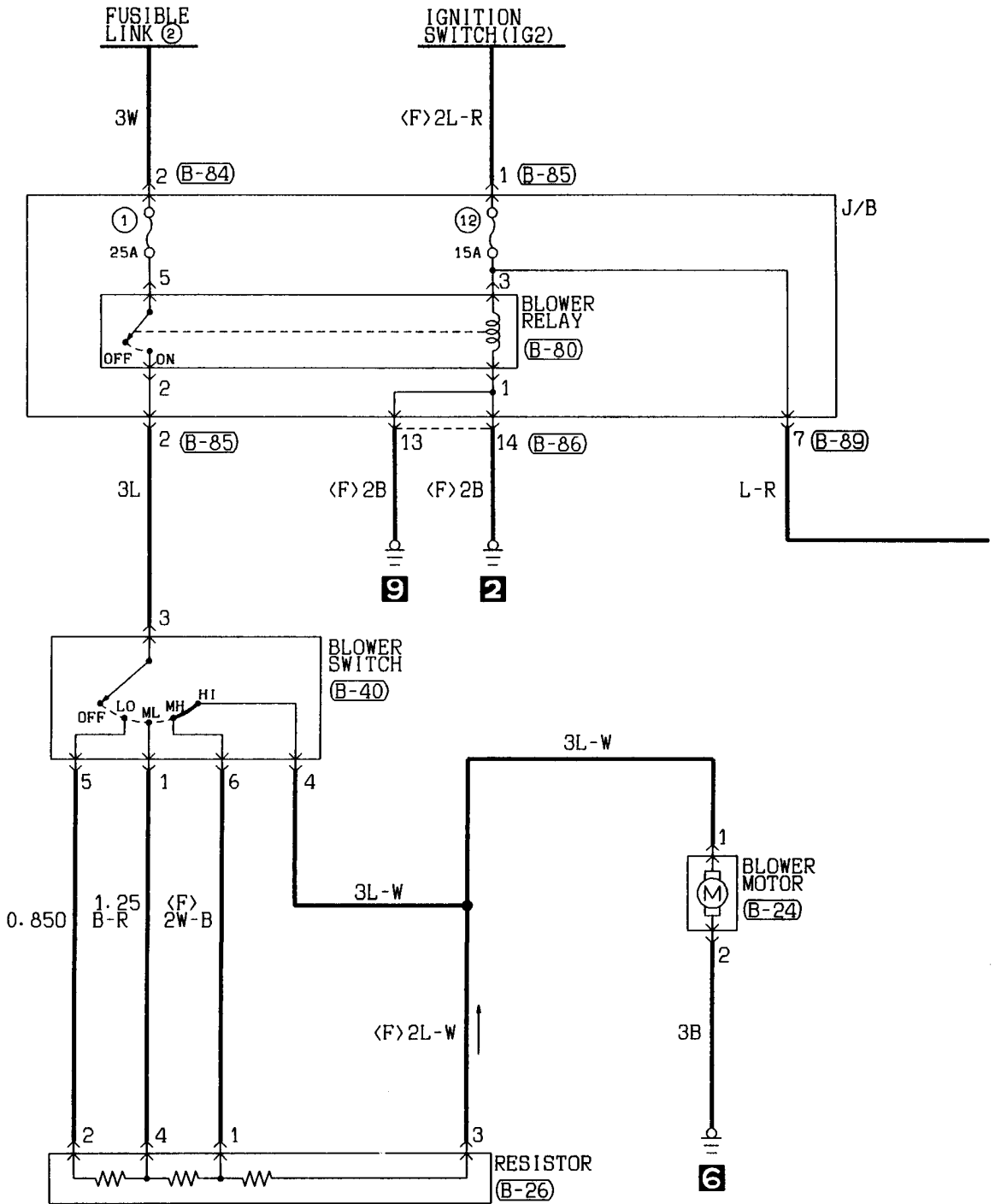
6

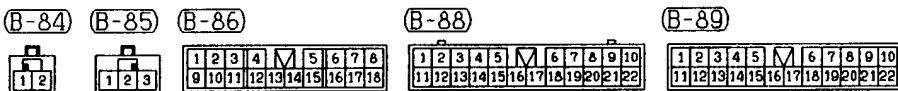
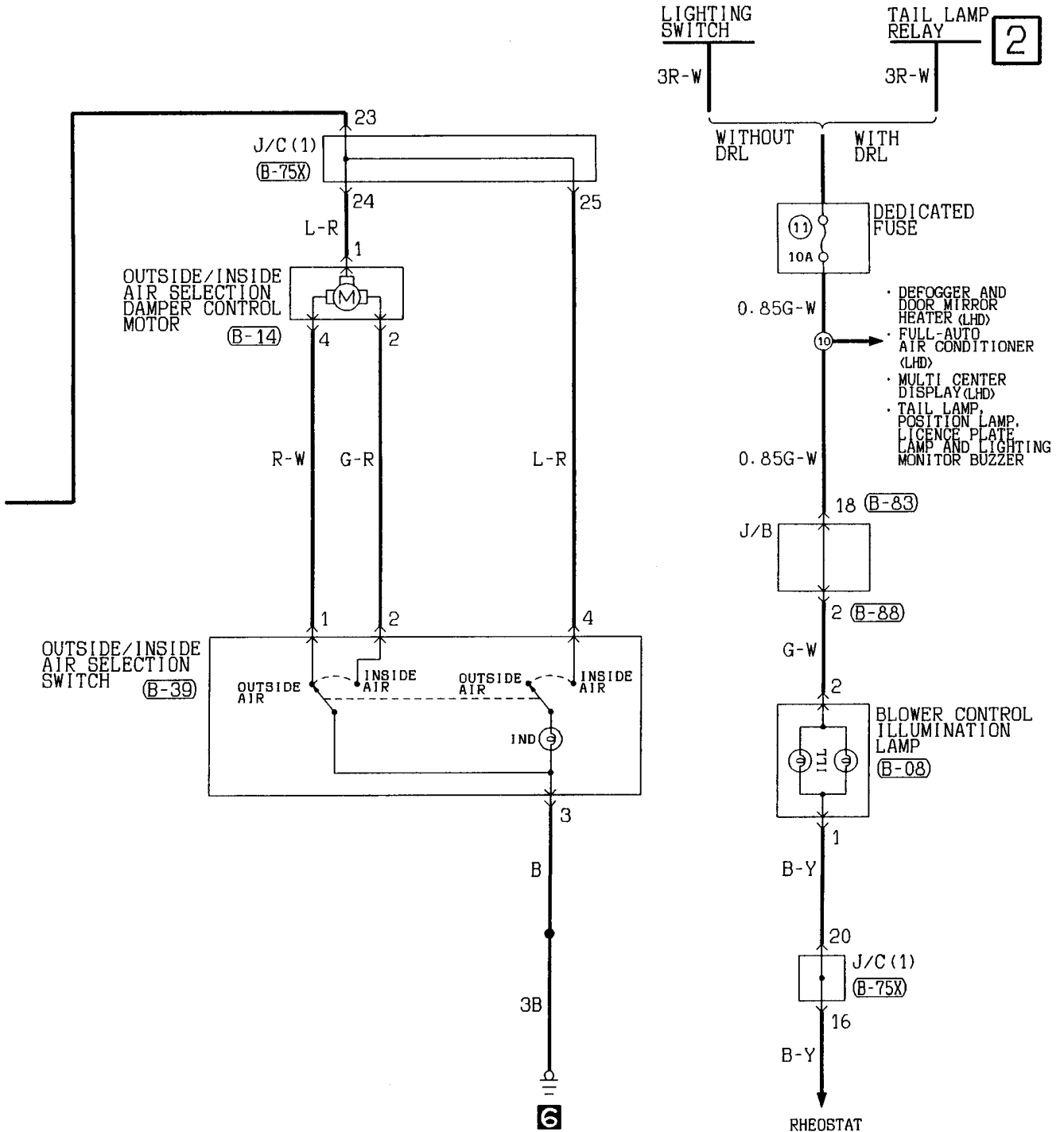


Wire colour code
 B :Black LG:Light green G :Green L :Blue W :White Y :Yellow SB:Sky blue
 BR:Brown O :Orange GR:Gray R :Red P :Pink V :Violet

HEATER

1





Wire colour code
 B :Black LG:Light green G :Green L :Blue W :White Y :Yellow SB:Sky blue
 BR:Brown O :Orange GR:Gray R :Red P :Pink V :Violet

HEATER (See P. 4-170.)**OPERATION**

- When the ignition switch is turned ON, the blower relay is energized. If the blower switch is turned ON (LO, ML, MH, or HI position) in this condition, the blower is activated through the circuit via resistor at a speed corresponding to the blower switch position.

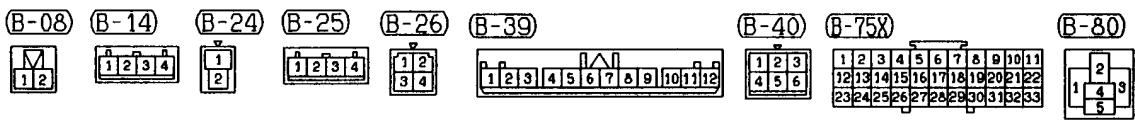
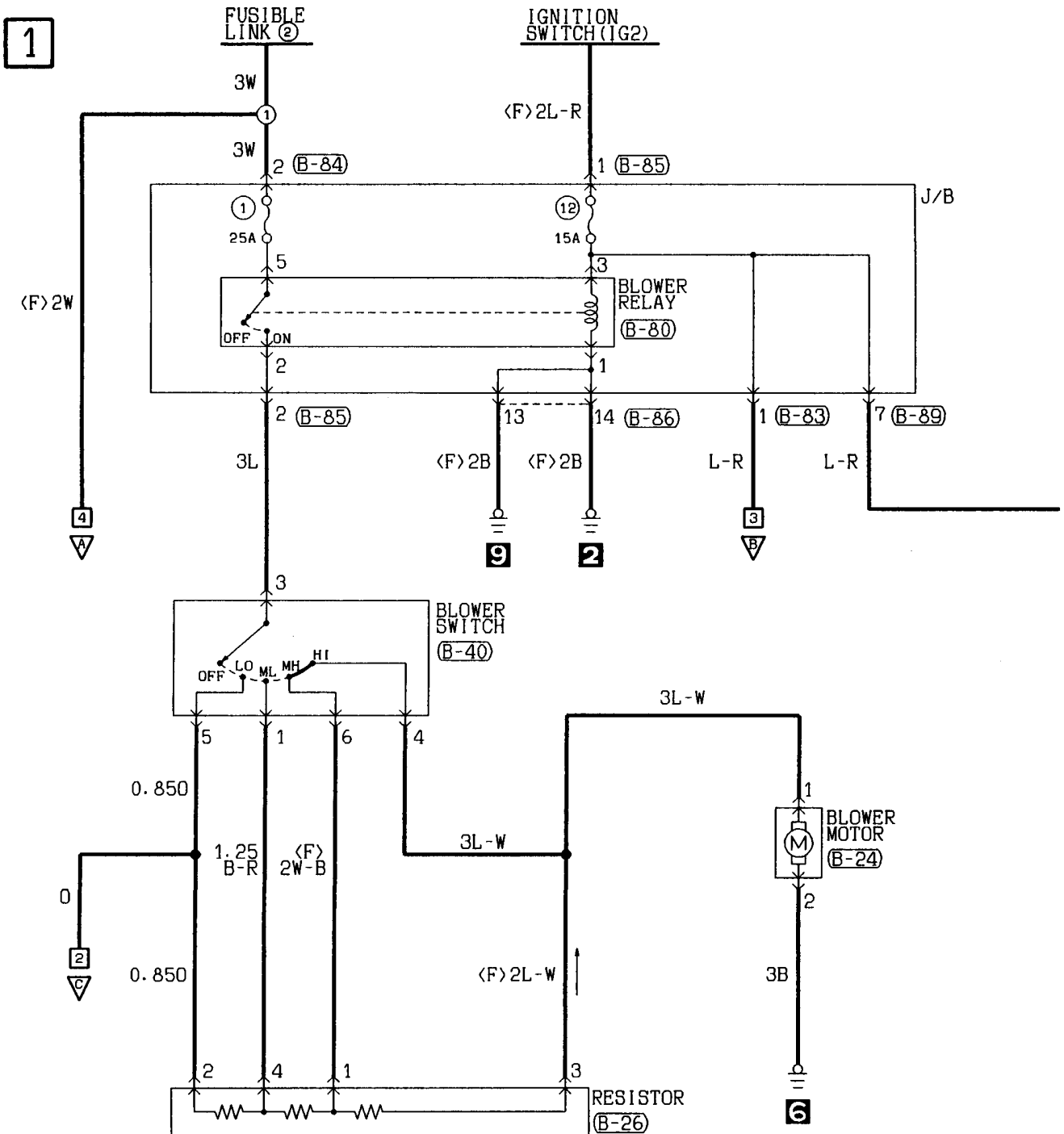
TROUBLESHOOTING HINTS

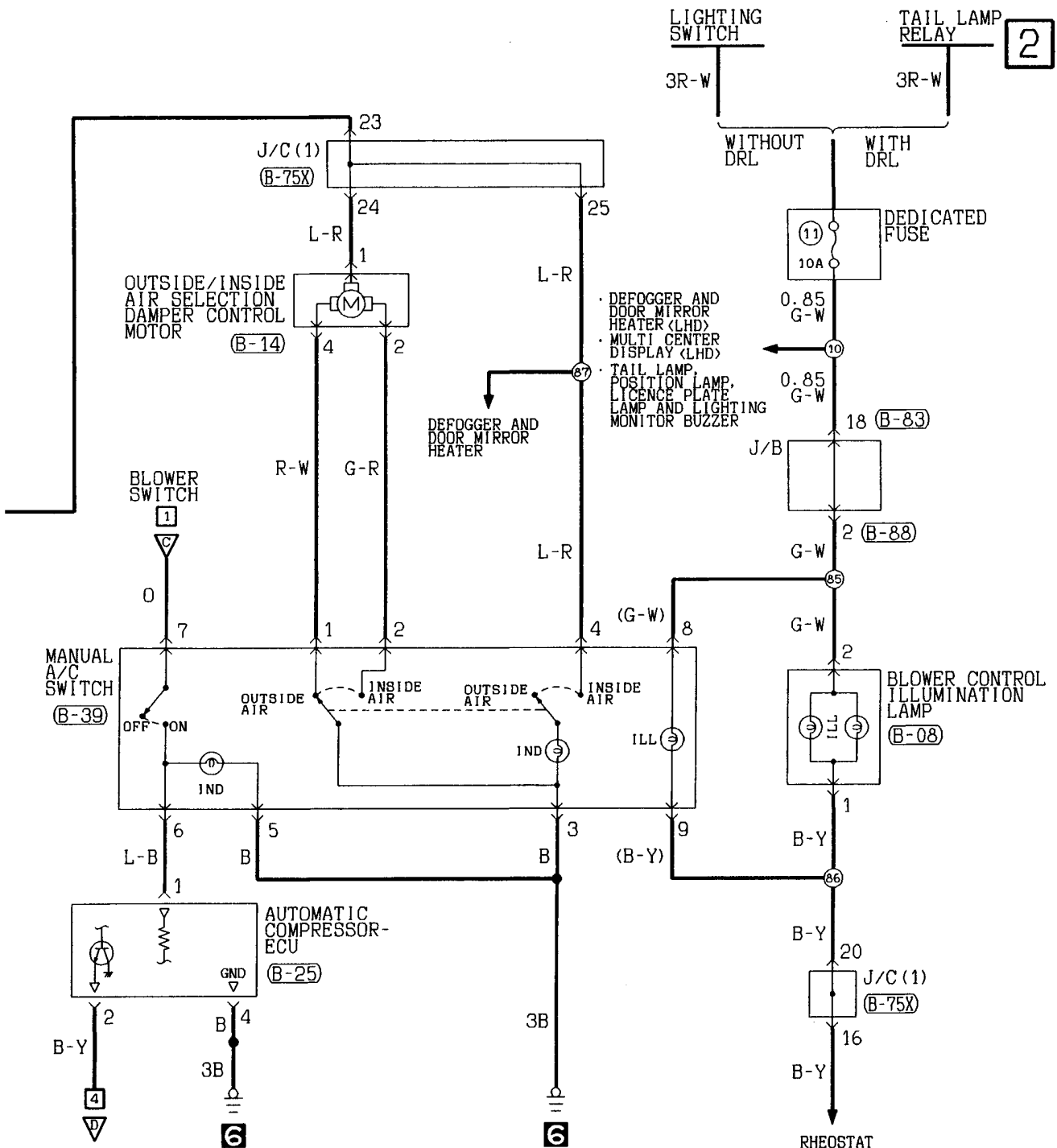
1. Blower motor is energized at one switch position and not energized at another.
 - Check harness and connectors between defective switch position and resistor (or blower motor in HI position).
2. Blower motor is energized only when switch is positioned in HI.
 - Check resistor.
3. Blower motor speed does not represent the switch position.
 - Check blower switch.

NOTES

MANUAL AIR CONDITIONER

Diesel-powered vehicles

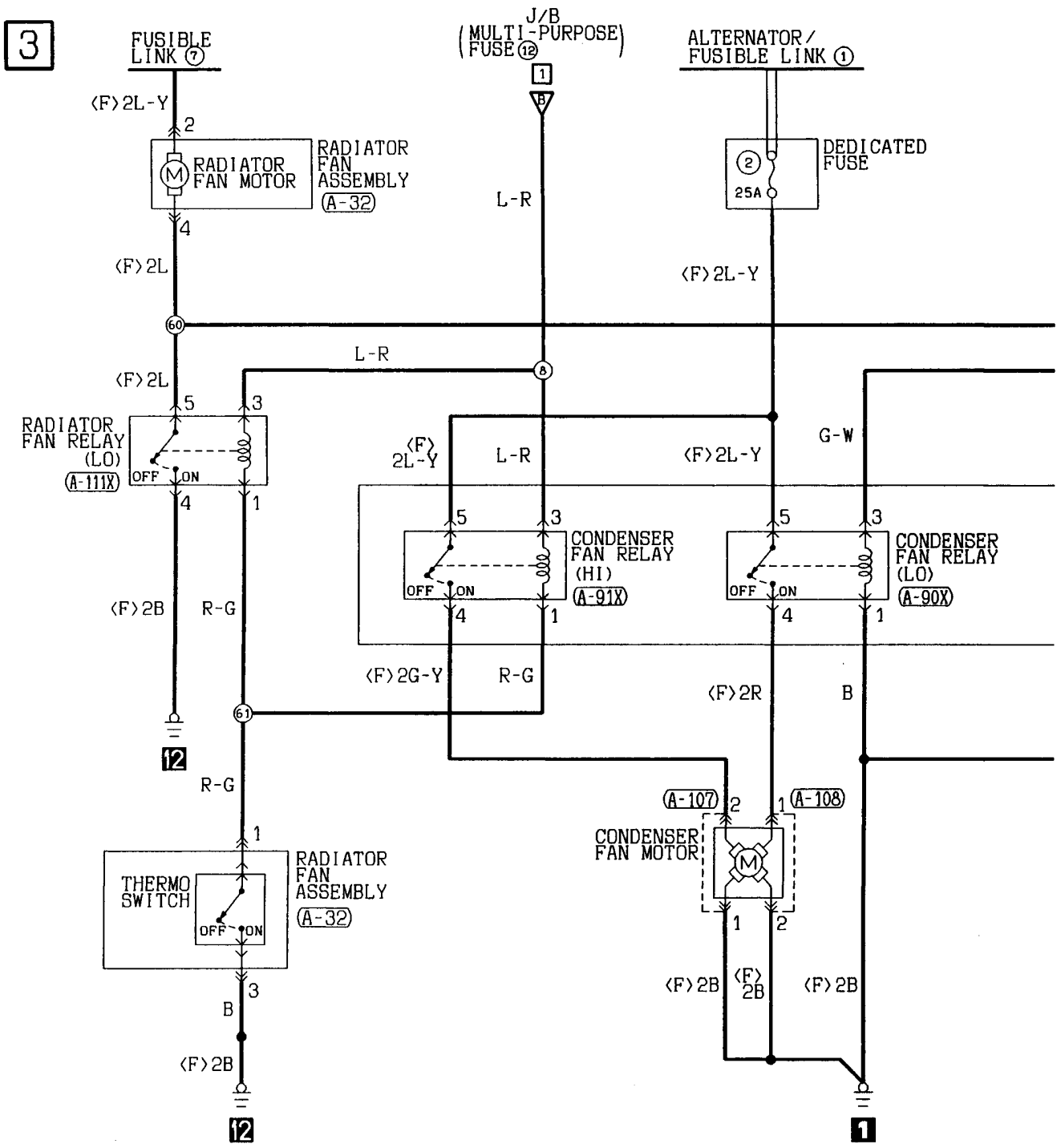




B-83	B-84	B-85	B-86	B-88	B-89
1 2 3 4 5 6 7 8 9 10 11 12 13 14 15 16 17 18 19 20	1 2	1 2 3	1 2 3 4 5 6 7 8 9 10 11 12 13 14 15 16 17 18	1 2 3 4 5 6 7 8 9 10 11 12 13 14 15 16 17 18 19 20 21 22	1 2 3 4 5 6 7 8 9 10 11 12 13 14 15 16 17 18 19 20 21 22

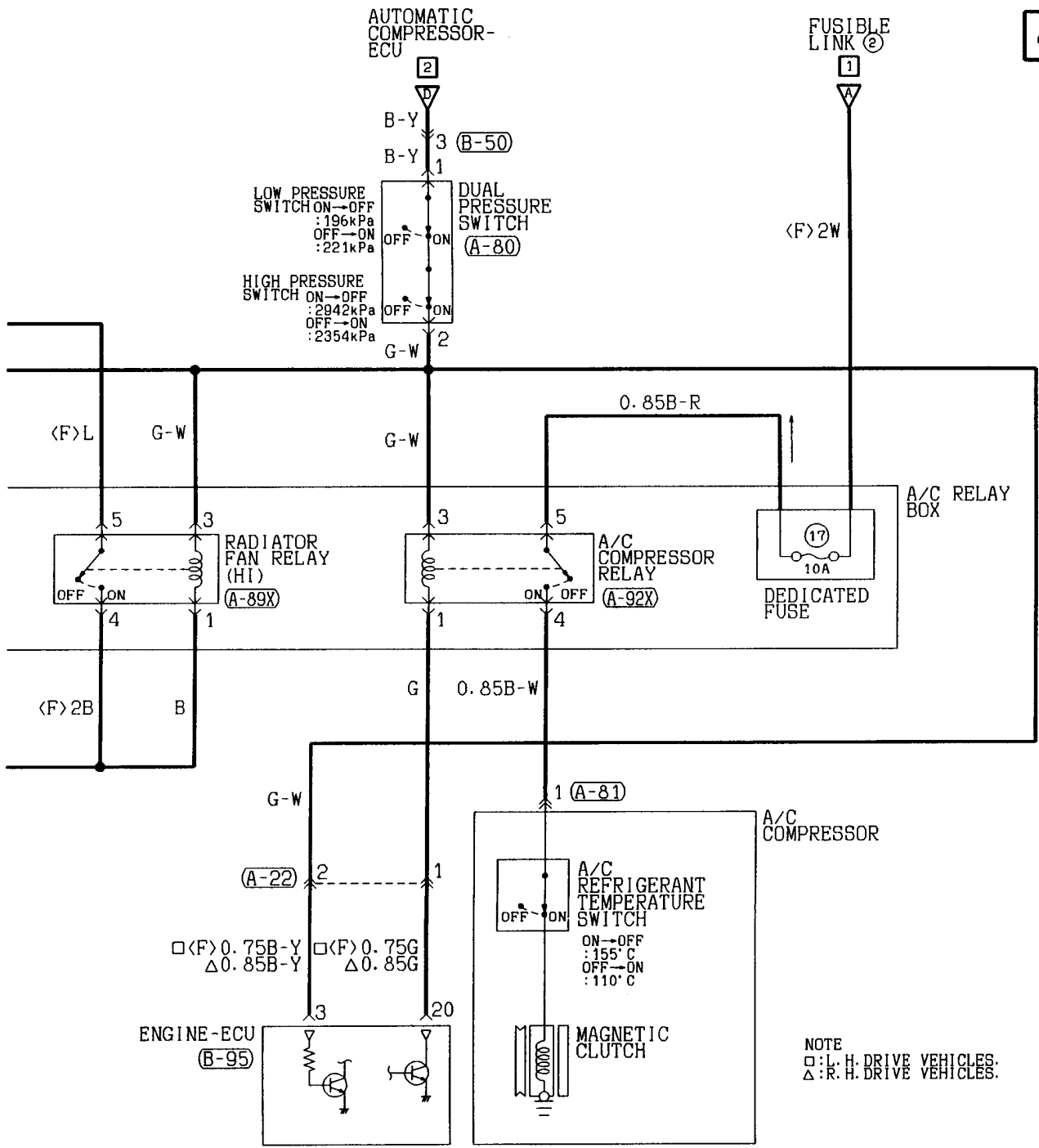
Wire colour code
 B : Black LG:Light green G :Green L :Blue W :White Y :Yellow SB:Sky blue
 BR:Brown O :Orange GR:Gray R :Red P :Pink V :Violet

MANUAL AIR CONDITIONER <Diesel-powered vehicles> (CONTINUED)



- | | | | | | | | | | | | |
|--------|--------|--------|--------|---------|---------|---------|---------|---------|---------|----------|--------|
| (A-22) | (A-32) | (A-80) | (A-81) | (A-89X) | (A-90X) | (A-91X) | (A-92X) | (A-107) | (A-108) | (A-111X) | (B-50) |
| | | | | | | | | | | | |

4



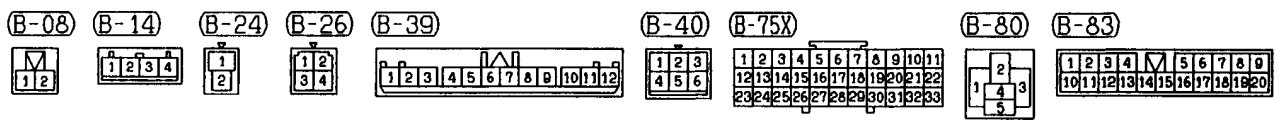
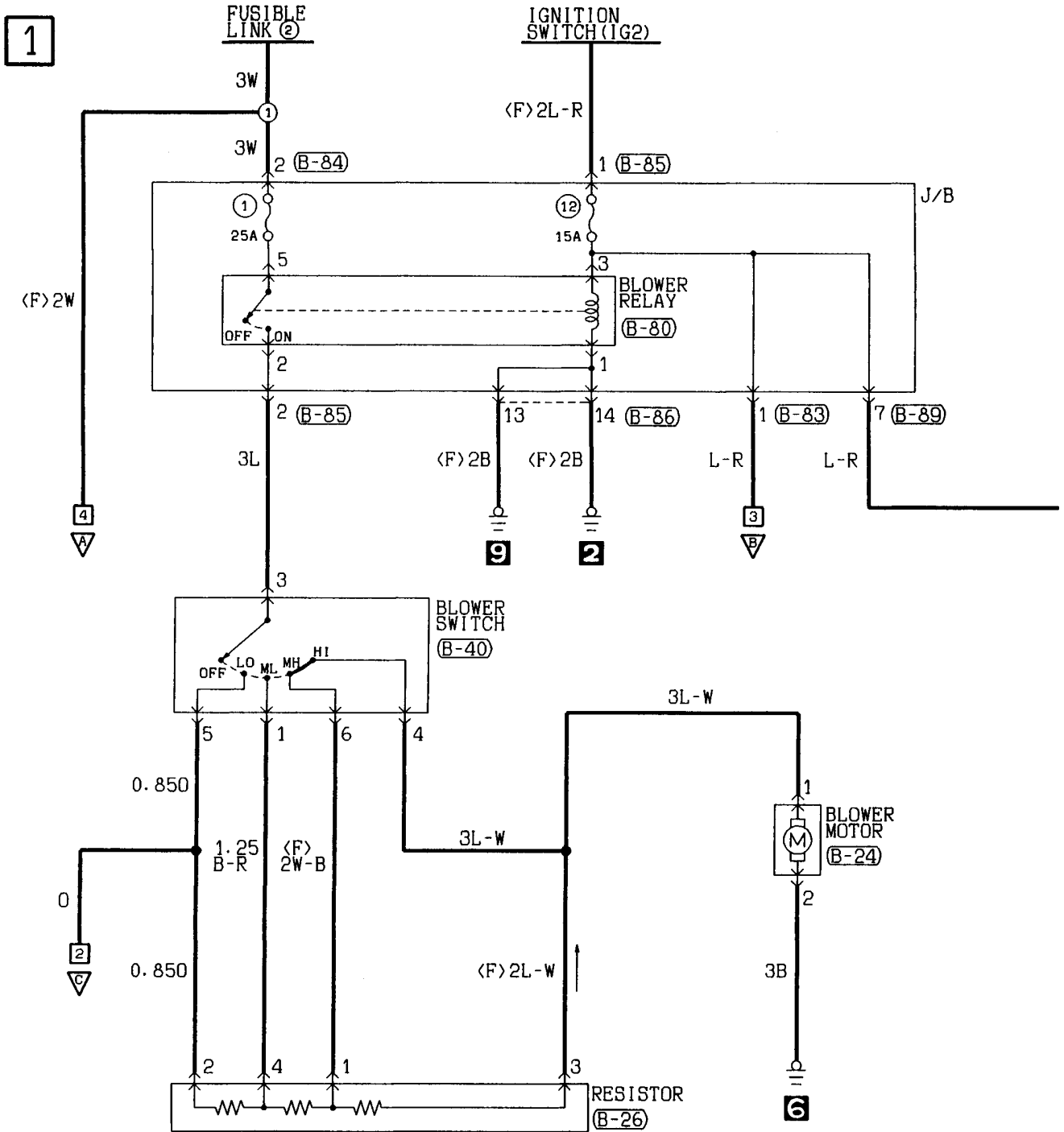
(B-95)

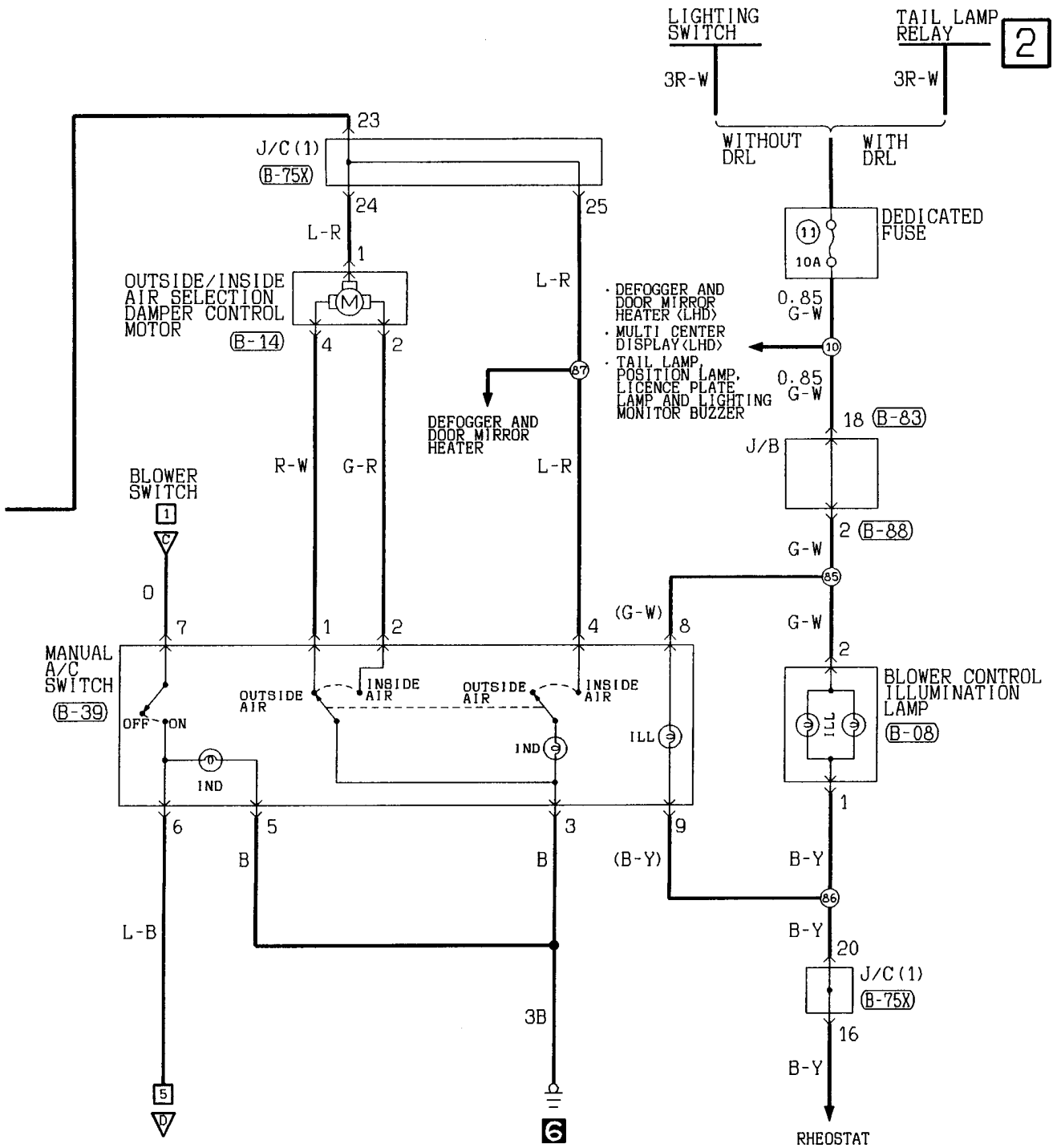
1	2	3	4	5	6	7	8	9	10	11	12	13
14	15	16	17	18	19	20	21	22	23	24	25	

Wire colour code
 B:Black LG:Light green G:Green L:Blue W:White Y:Yellow SB:Sky blue
 BR:Brown O:Orange GR:Gray R:Red P:Pink V:Violet

MANUAL AIR CONDITIONER

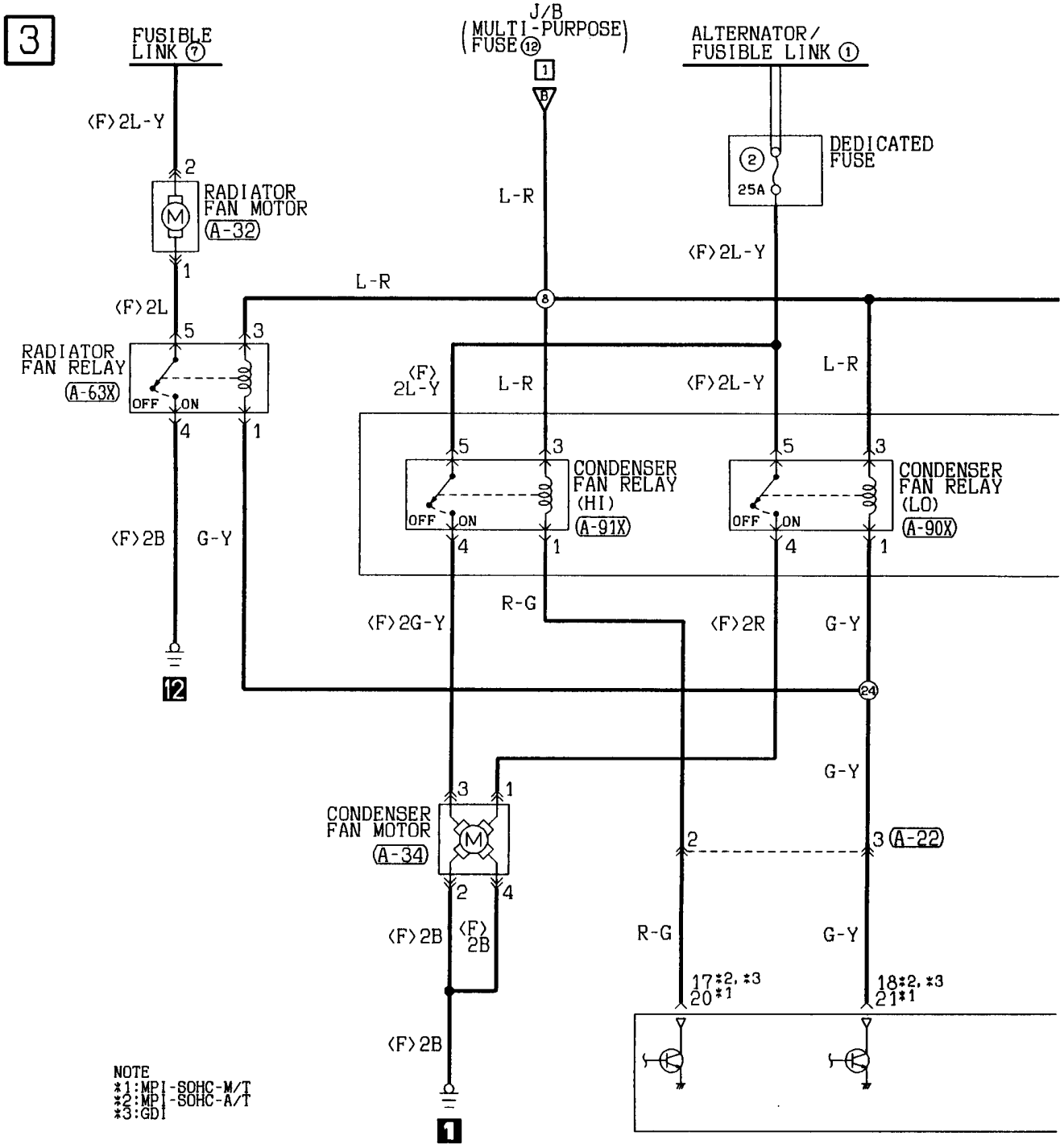
Petrol-powered vehicles



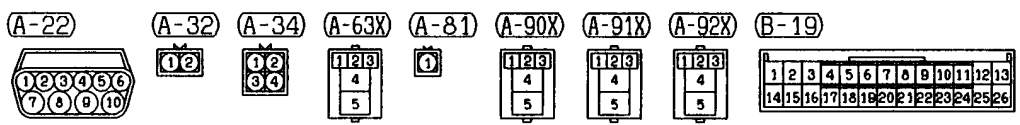


Wire colour code
 B:Black LG:Light green G:Green L:Blue W:White Y:Yellow SB:Sky blue
 BR:Brown O:Orange GR:Gray R:Red P:Pink V:Violet

MANUAL AIR CONDITIONER <Petrol-powered vehicles> (CONTINUED)

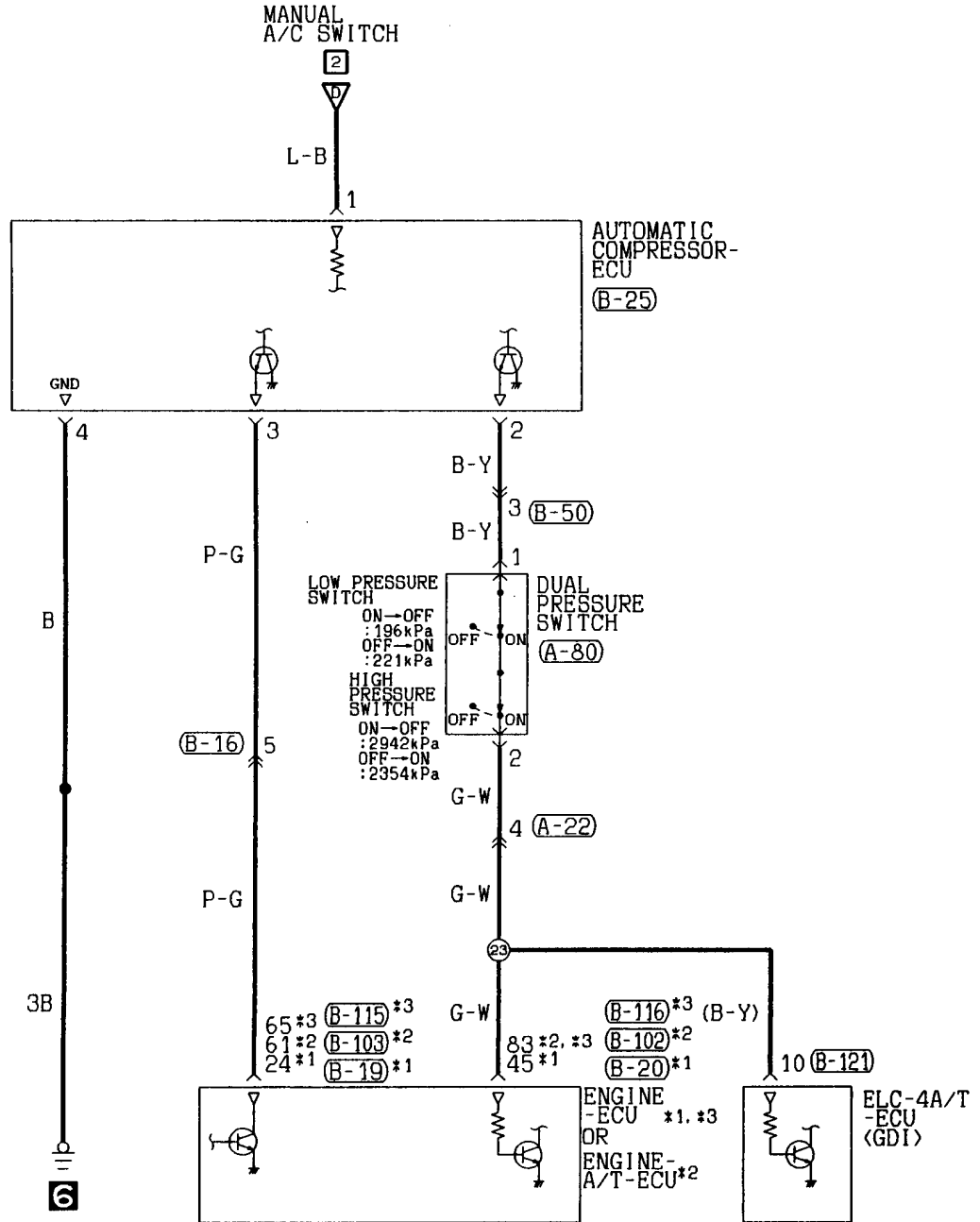


NOTE
 *1: MP1-SOHC-M/T
 *2: MP1-SOHC-A/T
 *3: GDI



MANUAL AIR CONDITIONER <Petrol-powered vehicles> (CONTINUED)

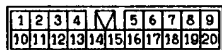
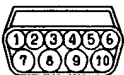
5



NOTE
 *1:MP1-SOHC-M/T
 *2:MP1-SOHC-A/T
 *3:GDI

(A-22)

(A-80) (B-16)



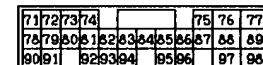
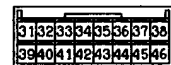
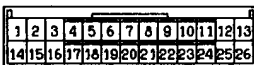
(B-19)

(B-20)

(B-25)

(B-50)

(B-102)

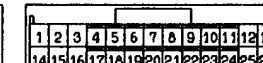
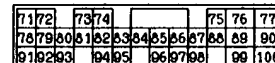
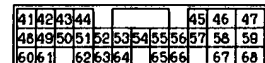
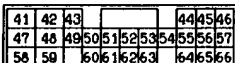


(B-103)

(B-115)

(B-116)

(B-121)

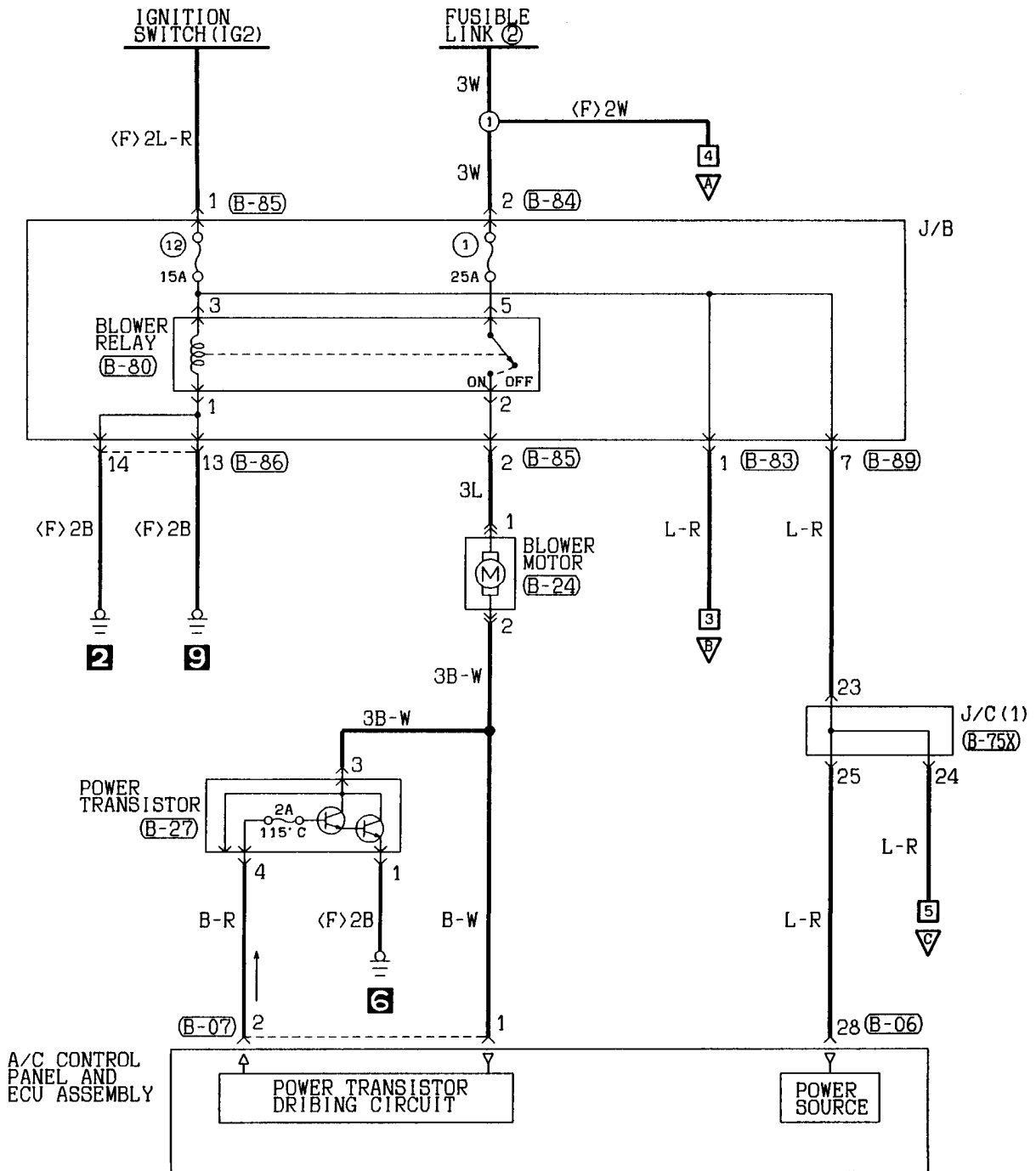


NOTES

FULL-AUTO AIR CONDITIONER

Diesel-powered vehicles

1



(A-69)

1	2	3	4	5
6	7	8	9	10

(B-06)

21	22	23	24	25	26	27	28
29	30	31	32	33	34	35	36

(B-07)

1	2	3	4	5	6	7	8	9	10
11	12	13	14	15	16	17	18	19	20

(B-24)

1
2

(B-27)

1	2
3	4

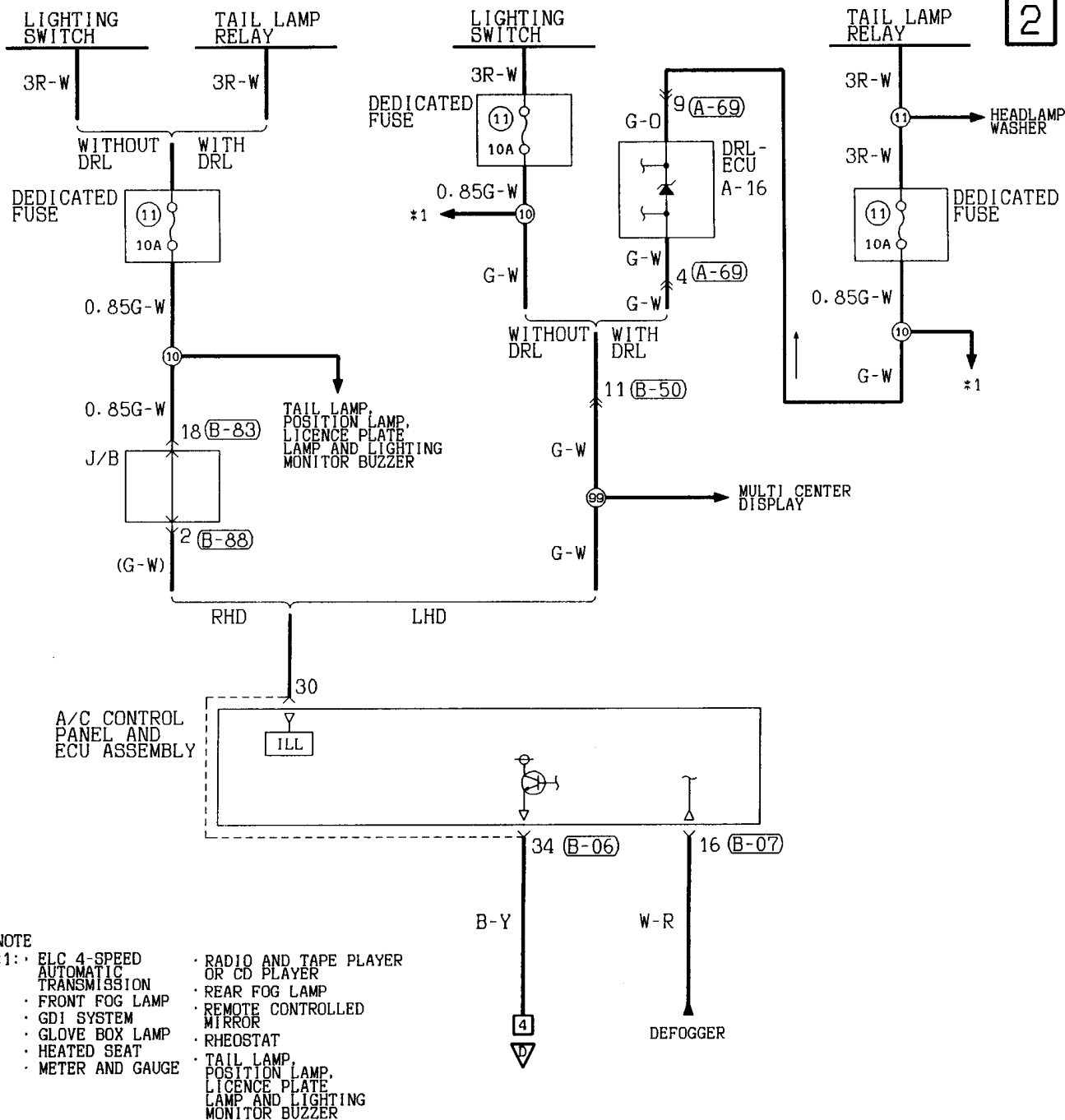
(B-50)

1	2	3	4	5	6	7	8	9	10
11	12	13	14	15	16	17	18	19	20
21	22	23	24	25	26	27	28	29	30

(B-75X)

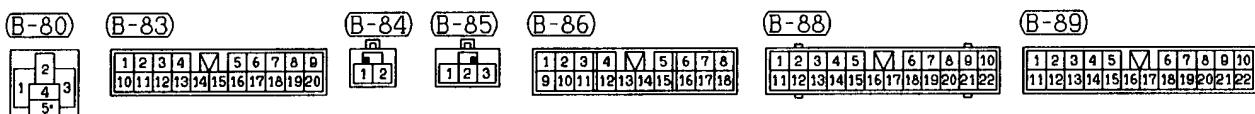
1	2	3	4	5	6	7	8	9	10	11
12	13	14	15	16	17	18	19	20	21	22
23	24	25	26	27	28	29	30	31	32	33

2



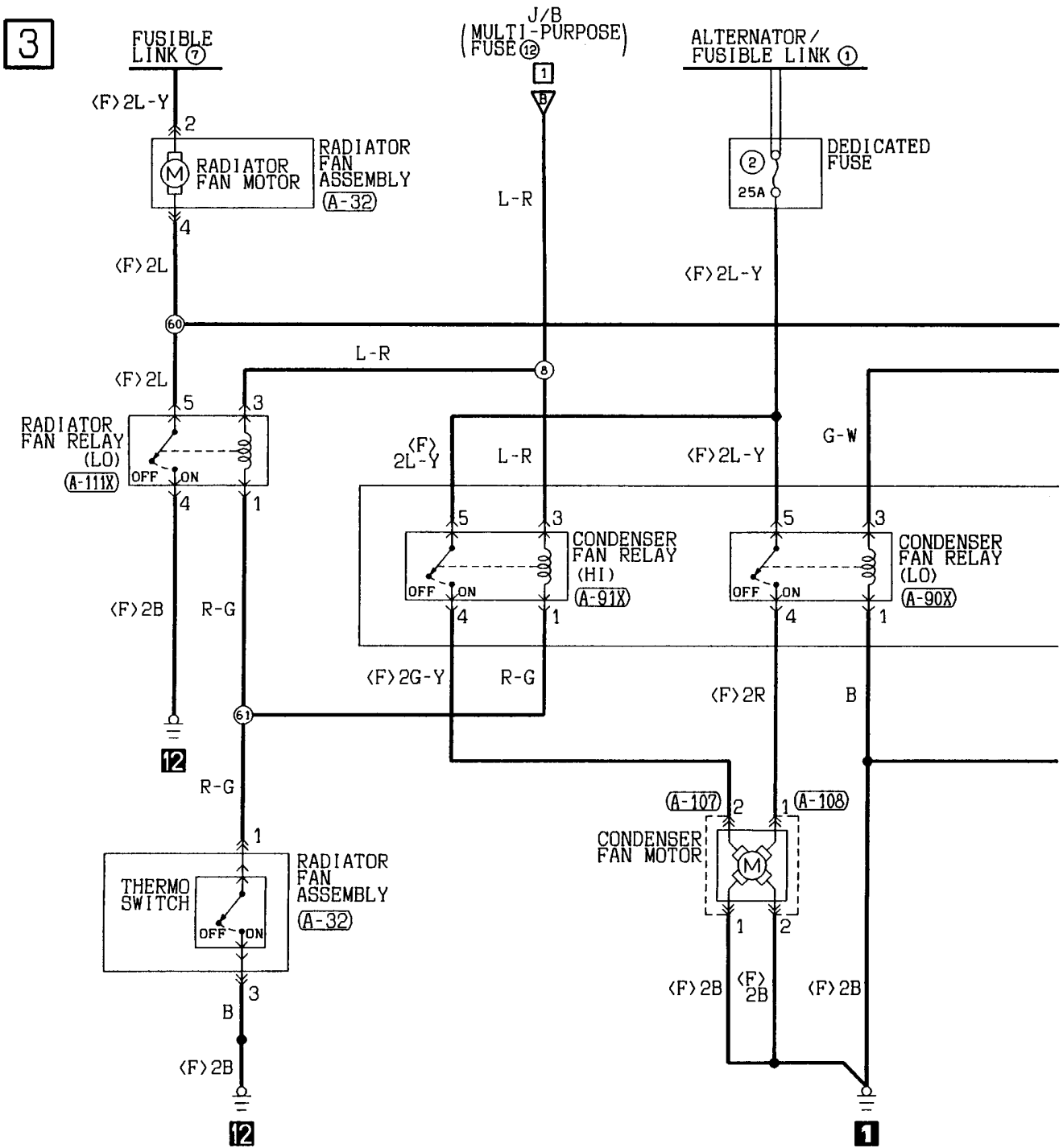
NOTE

- *1: ELC 4-SPEED AUTOMATIC TRANSMISSION
- FRONT FOG LAMP
- GDI SYSTEM
- GLOVE BOX LAMP
- HEATED SEAT
- METER AND GAUGE
- RADIO AND TAPE PLAYER OR CD PLAYER
- REAR FOG LAMP
- REMOTE CONTROLLED MIRROR
- RHEOSTAT
- TAIL LAMP, POSITION LAMP, LICENCE PLATE LAMP AND LIGHTING MONITOR BUZZER



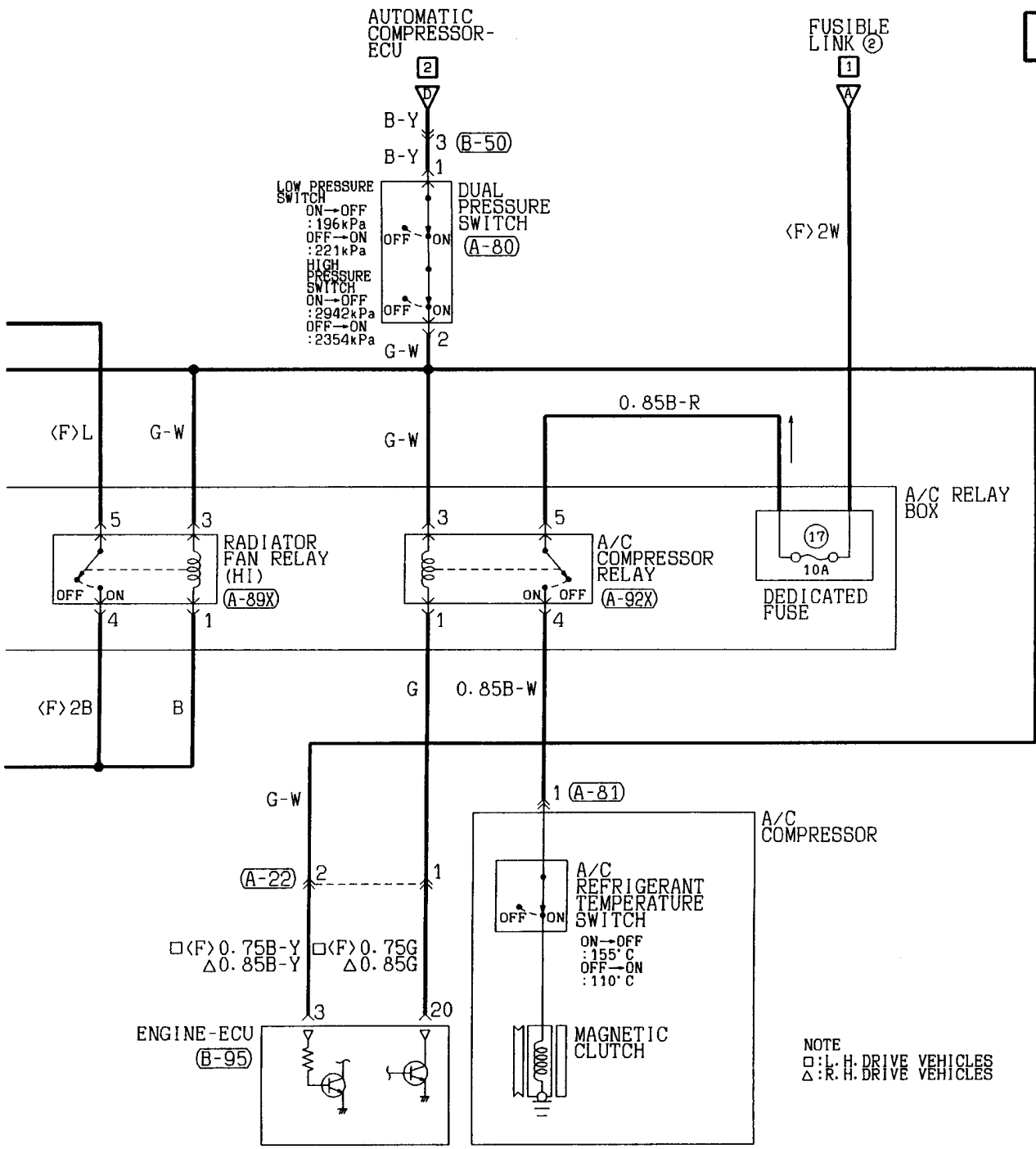
Wire colour code
 B : Black LG:Light green G :Green L :Blue W :White Y :Yellow SB:Sky blue
 BR:Brown O :Orange GR:Gray R :Red P :Pink V :Violet

FULL-AUTO AIR CONDITIONER <Diesel-powered vehicles> (CONTINUED)



- | | | | | | | | | | | | |
|--------|--------|--------|--------|---------|---------|---------|---------|---------|---------|----------|--------|
| (A-22) | (A-32) | (A-80) | (A-81) | (A-89X) | (A-90X) | (A-91X) | (A-92X) | (A-107) | (A-108) | (A-111X) | (B-50) |
| | | | | | | | | | | | |

4



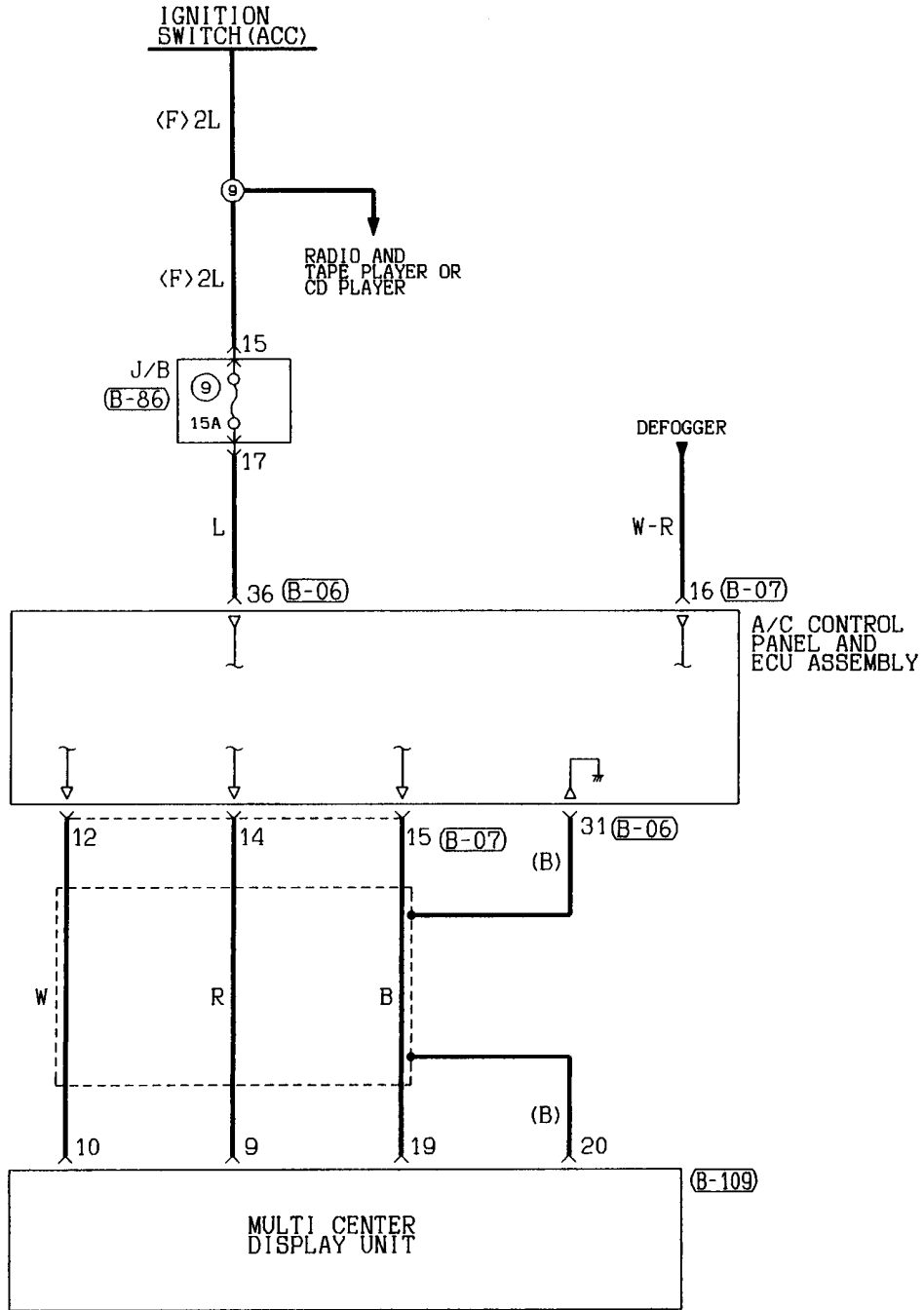
(B-95)

1	2	3	4	5	6	7	8	9	10	11	12	13
14	15	16	17	18	19	20	21	22	23	24	25	

Wire colour code
 B:Black LG:Light green G:Green L:Blue W:White Y:Yellow SB:Sky blue
 BR:Brown O:Orange GR:Gray R:Red P:Pink V:Violet

FULL-AUTO AIR CONDITIONER <Diesel-powered vehicles> (CONTINUED)

7



(B-06)

1	2	3	4	5	6	7	8
9	10	11	12	13	14	15	16
17	18	19	20	21	22	23	24
25	26	27	28	29	30	31	32
33	34	35	36				

(B-07)

1	2	3	4	5	6	7	8	9	10
11	12	13	14	15	16	17	18	19	20

(B-86)

1	2	3	4	M	5	6	7	8
9	10	11	12	13	14	15	16	17
18								

(B-109)

1	2	3	4	5	6	7	8	9	10
11	12	13	14	15	16	17	18	19	20

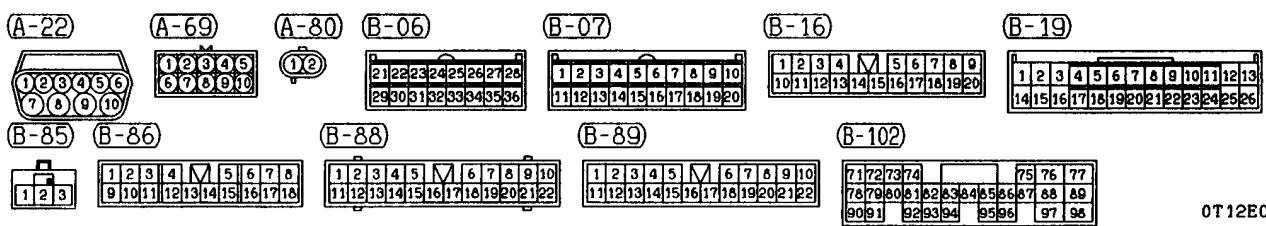
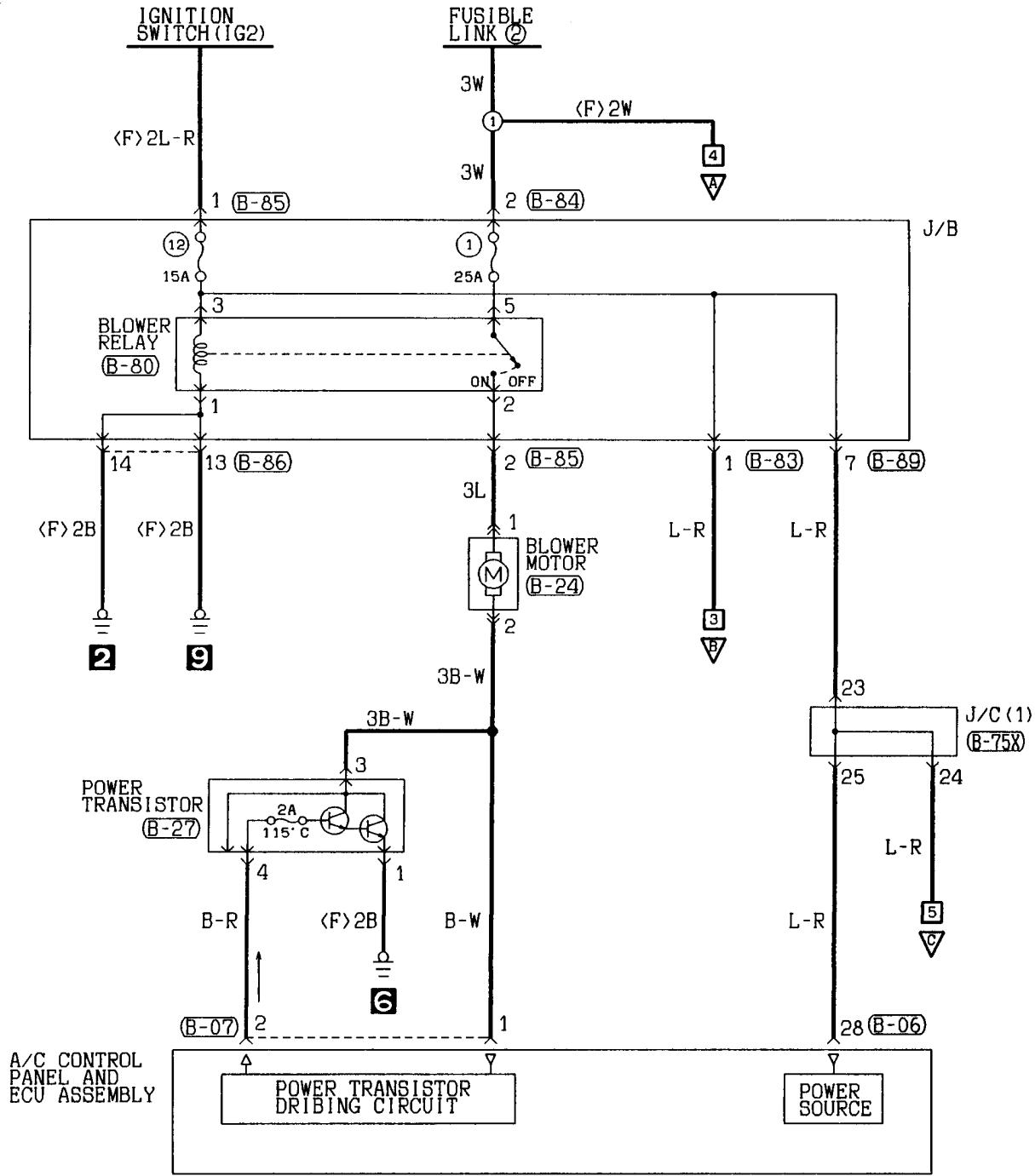
Wire colour code
 B : Black LG : Light green G : Green L : Blue W : White Y : Yellow SB : Sky blue
 BR : Brown O : Orange GR : Gray R : Red P : Pink V : Violet

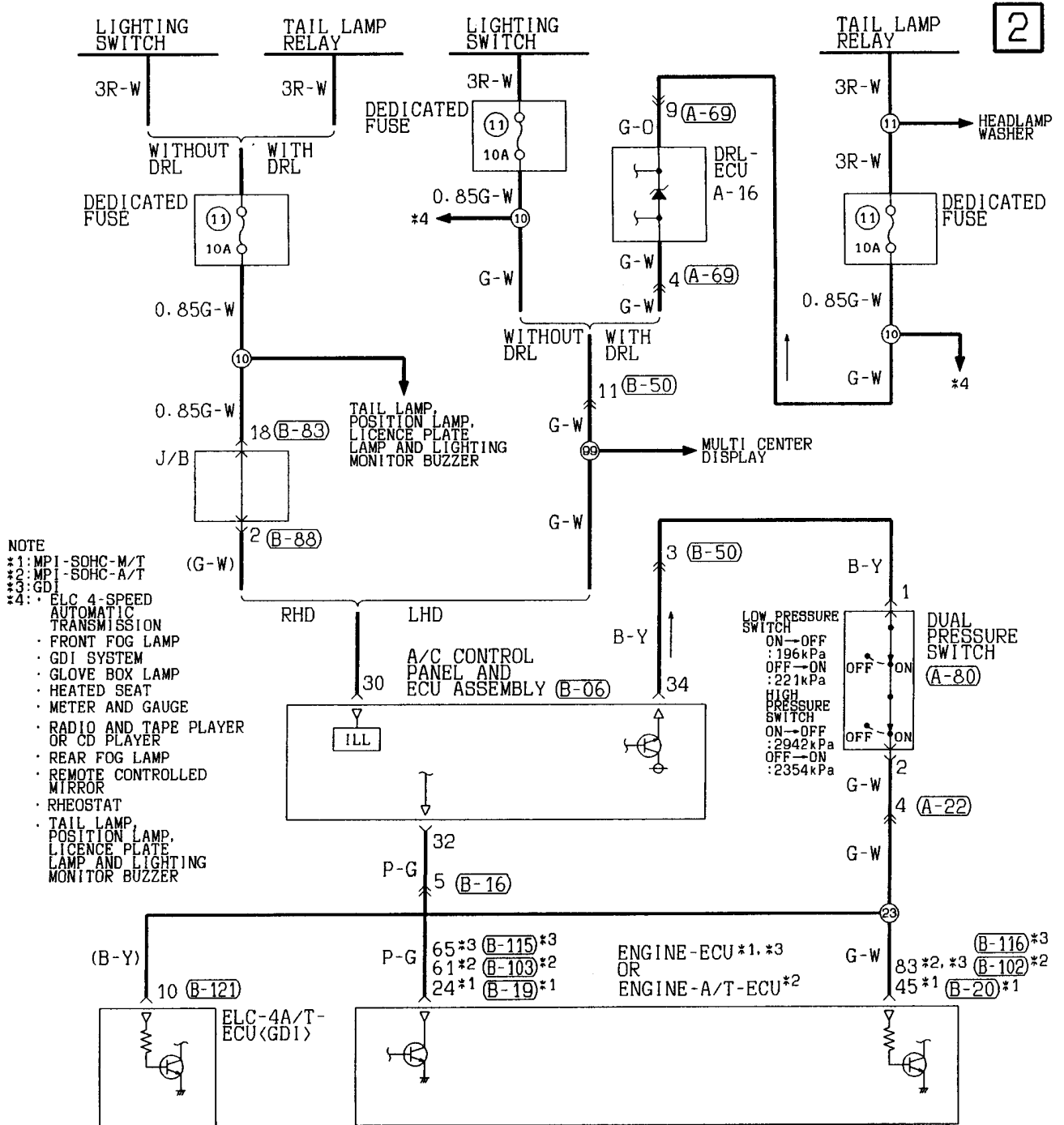
NOTES

FULL-AUTO AIR CONDITIONER

Petrol-powered vehicles

1





(B-20)

31	32	33	34	35	36	37	38
39	40	41	42	43	44	45	46

(B-24)

1
2

(B-27)

1	2
3	4

(B-50)

1	2	3	4	5	6	7	8	9	10		
11	12	13	14	15	16	17	18	19	20	21	22

(B-75X)

1	2	3	4	5	6	7	8	9	10	11
12	13	14	15	16	17	18	19	20	21	22
23	24	25	26	27	28	29	30	31	32	33

(B-80)

2
3
4
5

(B-83)

1	2	3	4	M	5	6	7	8	9	
10	11	12	13	14	15	16	17	18	19	20

(B-84)

1	2
---	---

(B-103)

41	42	43	44	45	46					
47	48	49	50	51	52	53	54	55	56	57
58	59	60	61	62	63	64	65	66	67	68

(B-115)

41	42	43	44	45	46	47					
48	49	50	51	52	53	54	55	56	57	58	59
60	61	62	63	64	65	66	67	68			

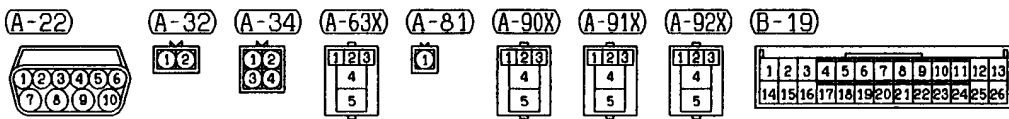
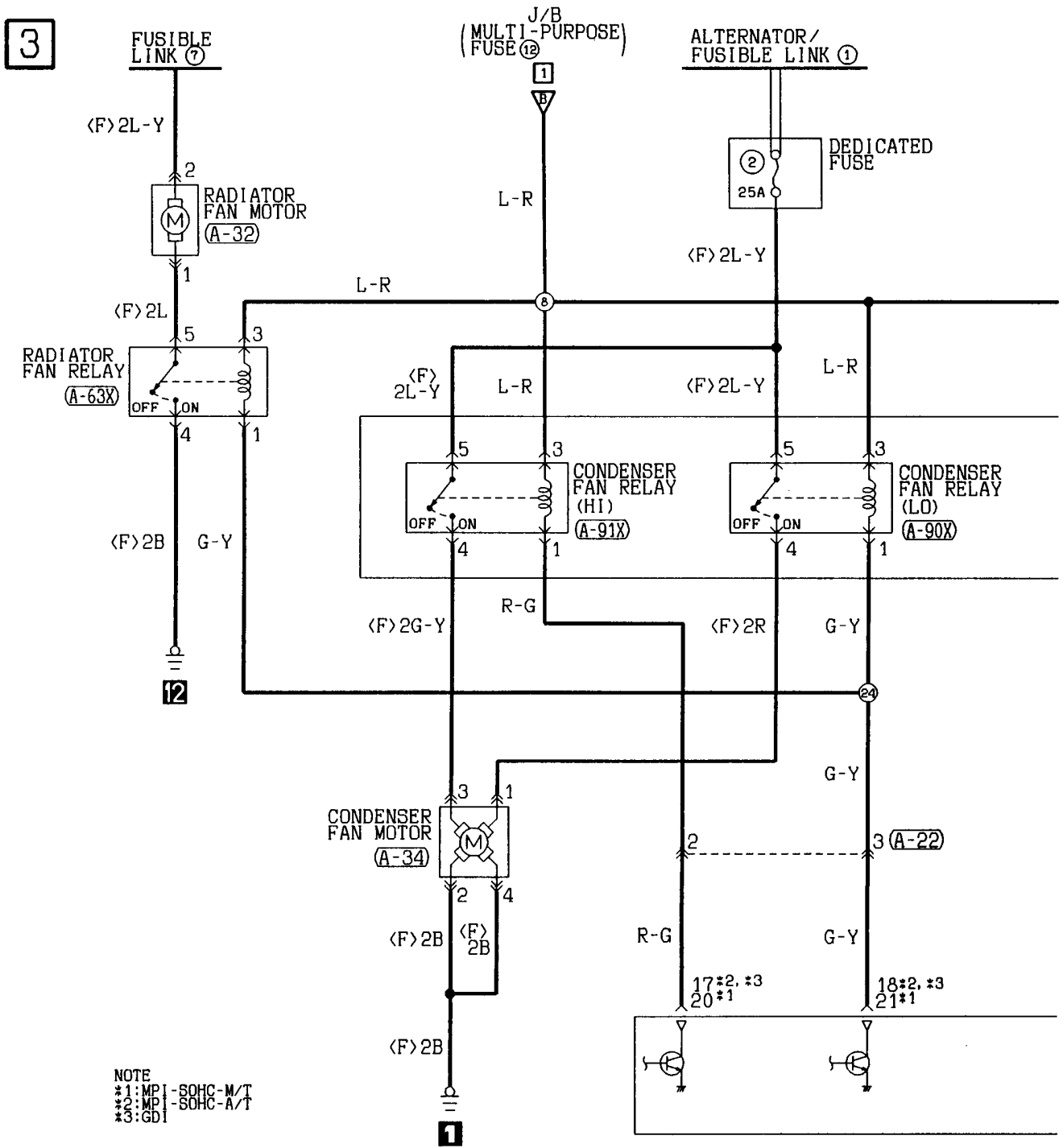
(B-116)

71	72	73	74	75	76	77						
78	79	80	81	82	83	84	85	86	87	88	89	90
91	92	93	94	95	96	97	98	99	100			

(B-121)

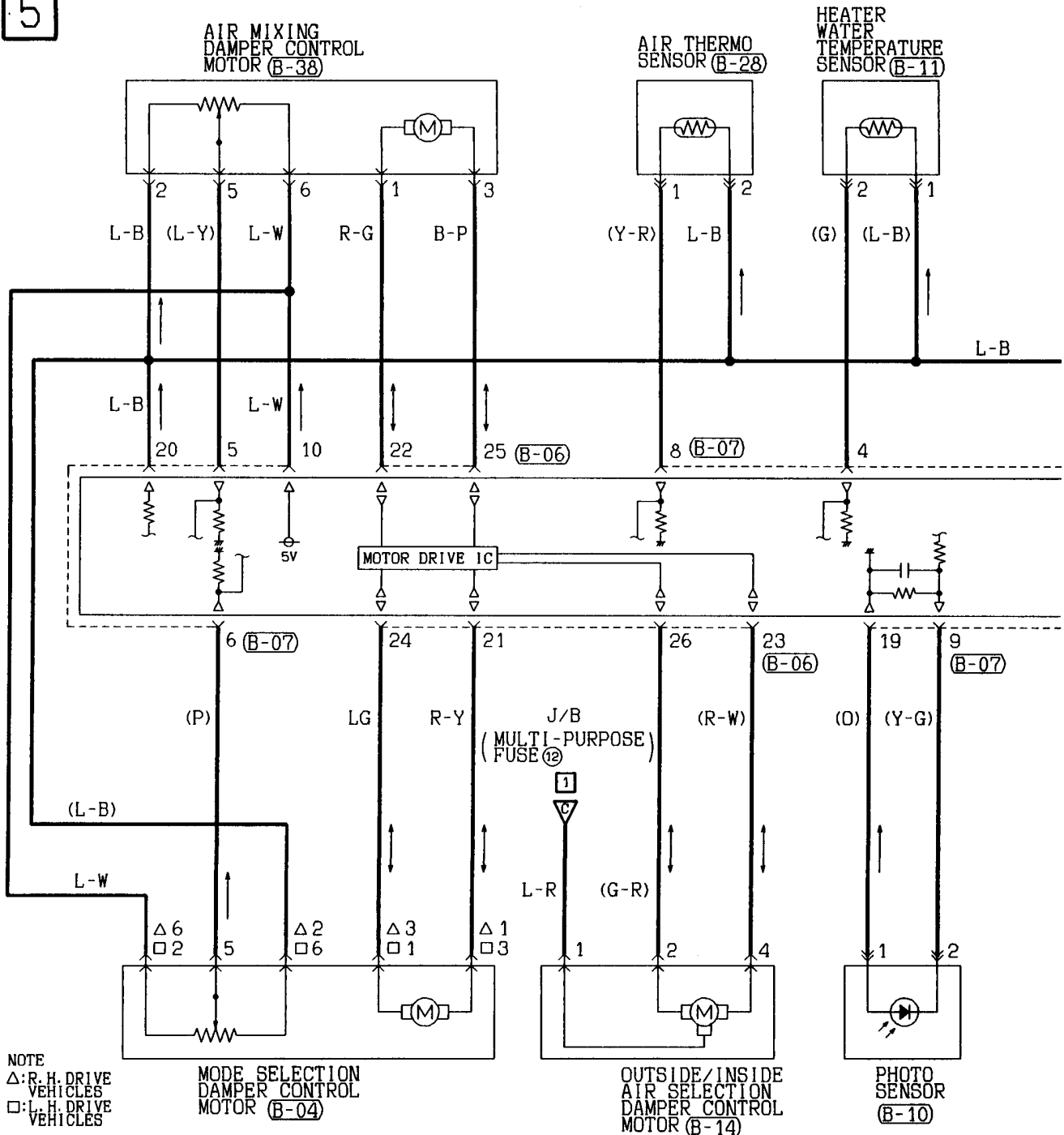
1	2	3	4	5	6	7	8	9	10	11	12	13
14	15	16	17	18	19	20	21	22	23	24	25	26

FULL-AUTO AIR CONDITIONER <Petrol-powered vehicles> (CONTINUED)



FULL-AUTO AIR CONDITIONER <Petrol-powered vehicles> (CONTINUED)

5



- (A-35)

1
2
- (B-04)

1	2
3	4
5	6
- (B-06)

21	22	23	24	25	26	27	28
29	30	31	32	33	34	35	36
- (B-07)

1	2	3	4	5	6	7	8	9	10
11	12	13	14	15	16	17	18	19	20
- (B-10)

1	2
---	---
- (B-11)

1	2
---	---
- (B-14)

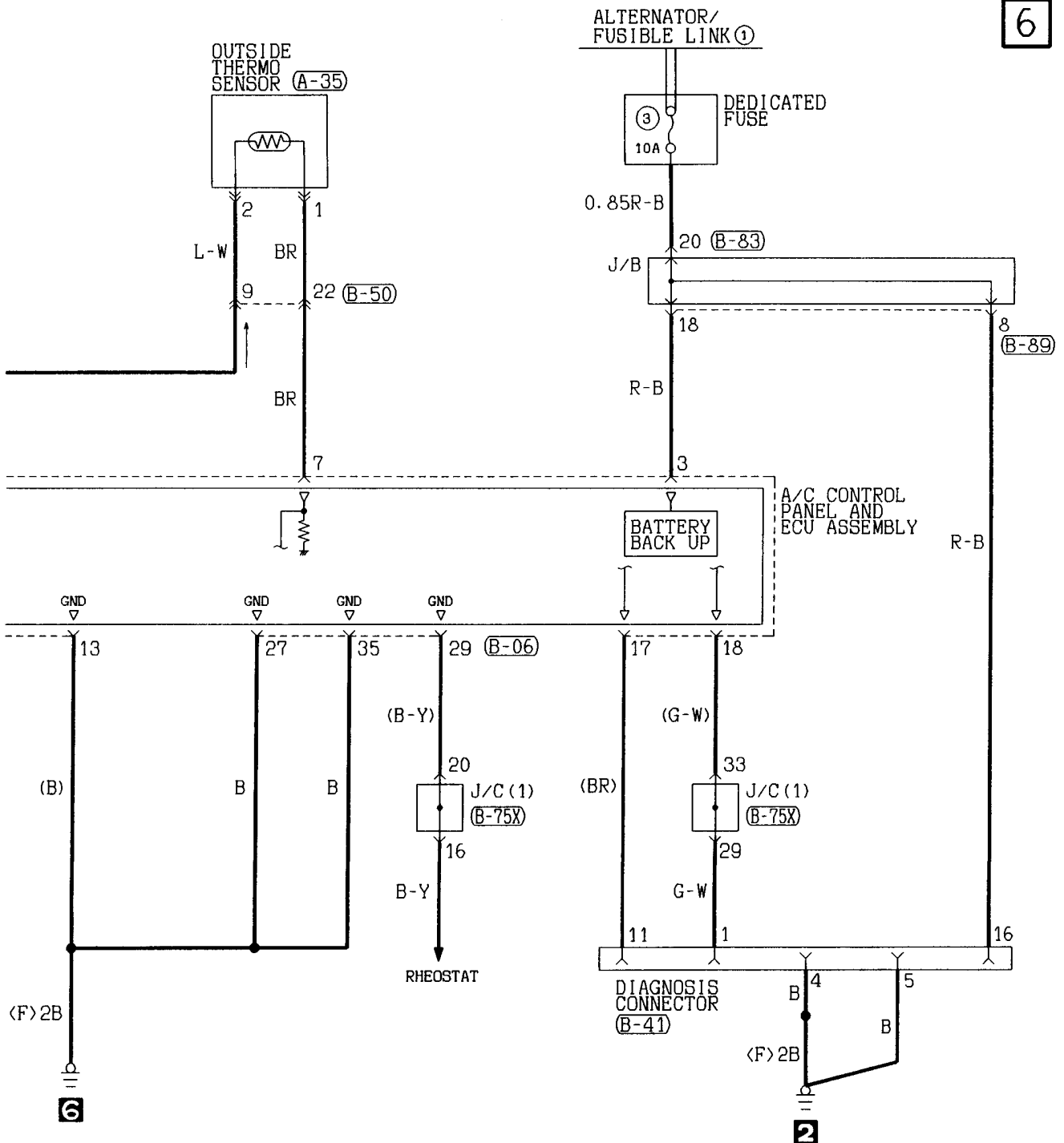
1	2	3	4
---	---	---	---
- (B-28)

1	2
---	---
- (B-38)

1	2
3	4
5	6
- (B-41)

1	2	3	4	5	6	7	8
9	10	11	12	13	14	15	16

6



(B-50)

1	2	3	4	5	6	7	8	9	10
11	12	13	14	15	16	17	18	19	20
21	22								

(B-75X)

1	2	3	4	5	6	7	8	9	10
11	12	13	14	15	16	17	18	19	20
21	22	23	24	25	26	27	28	29	30
31	32	33							

(B-83)

1	2	3	4	5	6	7	8	9	
10	11	12	13	14	15	16	17	18	19
20									

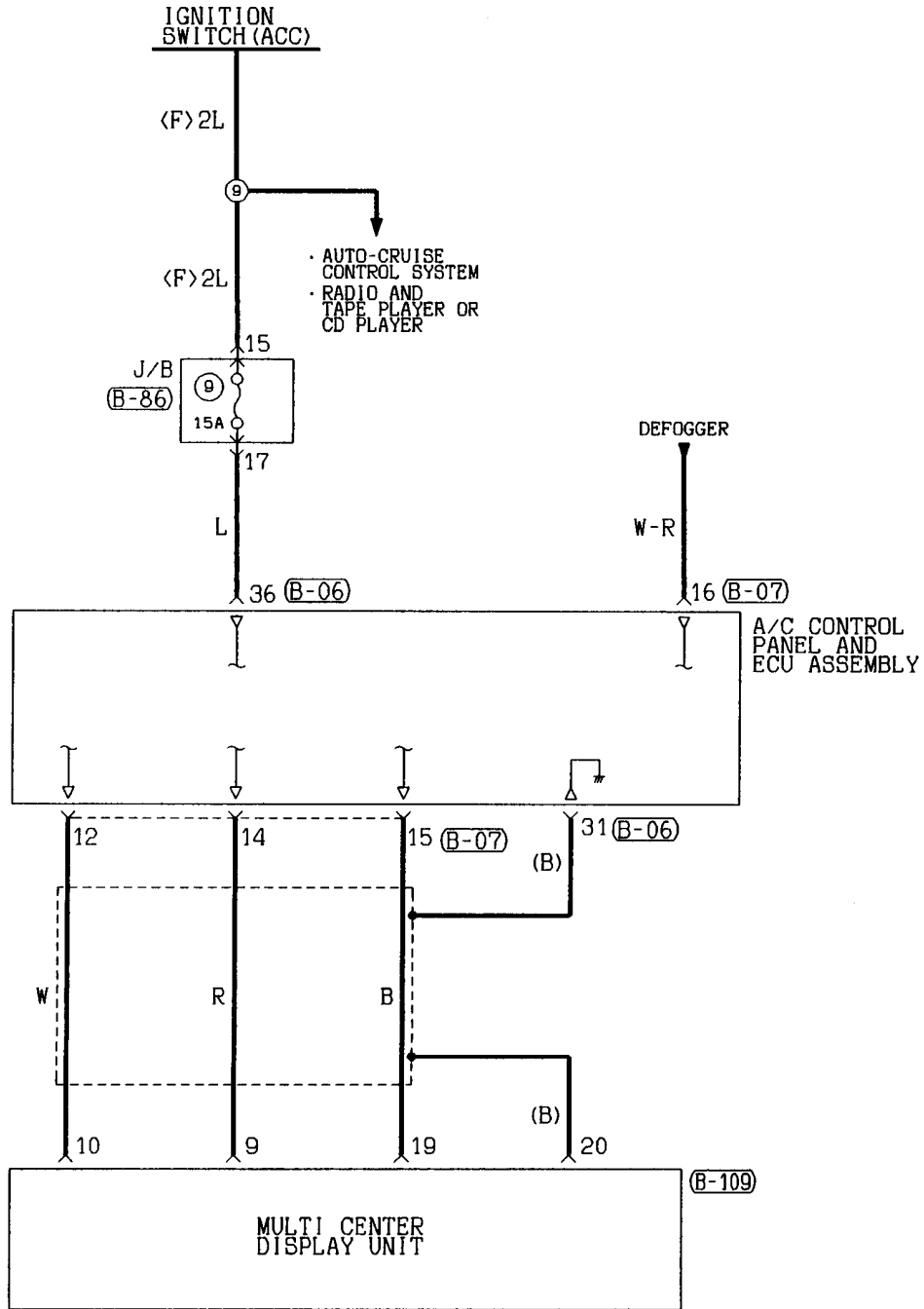
(B-89)

1	2	3	4	5	6	7	8	9	10
11	12	13	14	15	16	17	18	19	20
21	22								

Wire colour code
 B : Black LG : Light green G : Green L : Blue W : White Y : Yellow SB : Sky blue
 BR : Brown O : Orange GR : Gray R : Red P : Pink V : Violet

FULL-AUTO AIR CONDITIONER <Petrol-powered vehicles> (CONTINUED)

7



(B-06)

21	22	23	24	25	26	27	28
29	30	31	32	33	34	35	36

(B-07)

1	2	3	4	5	6	7	8	9	10
11	12	13	14	15	16	17	18	19	20

(B-86)

1	2	3	4	5	6	7	8		
9	10	11	12	13	14	15	16	17	18

(B-109)

1	2	3	4	5	6	7	8	9	10
11	12	13	14	15	16	17	18	19	20

Wire colour code
 B : Black LG:Light green G :Green L :Blue W :White Y :Yellow SB:Sky blue
 BR:Brown O :Orange GR:Gray R :Red P :Pink V :Violet

WINDSHIELD WIPER AND WASHER (See P. 4-200.)**OPERATION****<Low-speed (and high-speed) wiper operation>**

- When the wiper switch is placed in the LO position with the ignition switch in the ACC or ON position, wipers operate continuously at low speed.
- Placing the wiper switch in the HI position causes the wipers to operate at high speed.

<Automatic wiper stopping operation>

- When the wiper switch is placed in the OFF position, the cam contacts of wiper motor caused current to flow through the automatic wiper stopping circuit, allowing the wiper blades to cycle before they reach to the stop positions.

<Intermittent wiper operation>

- When the wiper switch is placed in the INT position with the ignition switch in ACC or ON position, the intermittent wiper relay is energized causing the intermittent wiper relay contacts to close and open repeatedly.
- When the contacts are closed, the wiper motor is energized.
- When the wiper motor is energized, the relay contacts open, however, the cam contacts keep the wiper motor energized until the wiper blades return to their stop position.

<Washer-activated wiper operation>

- When the washer switch is turned on, the intermittent wiper relay contacts close causing wipers to cycle two to three times.

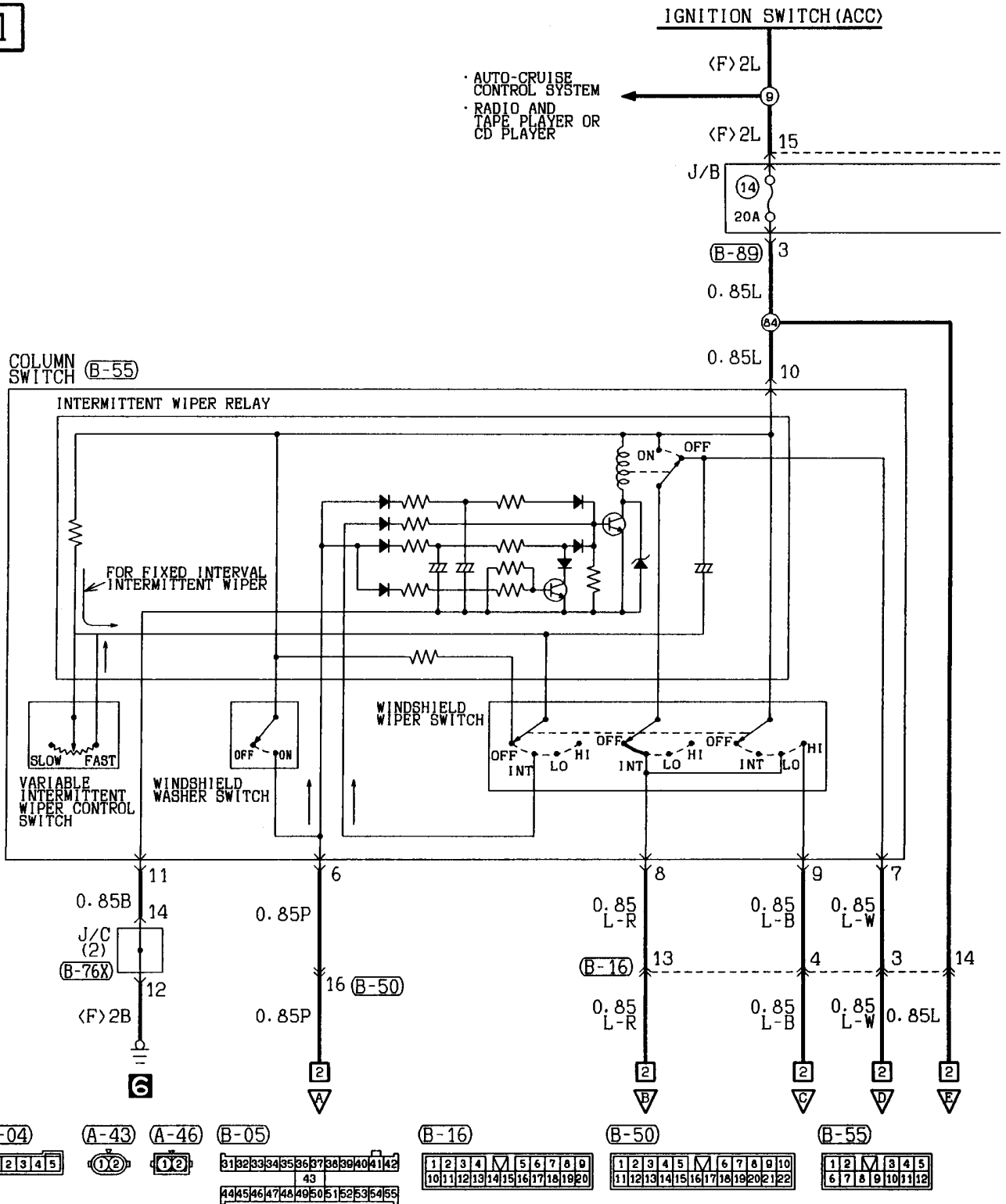
TROUBLESHOOTING HINTS

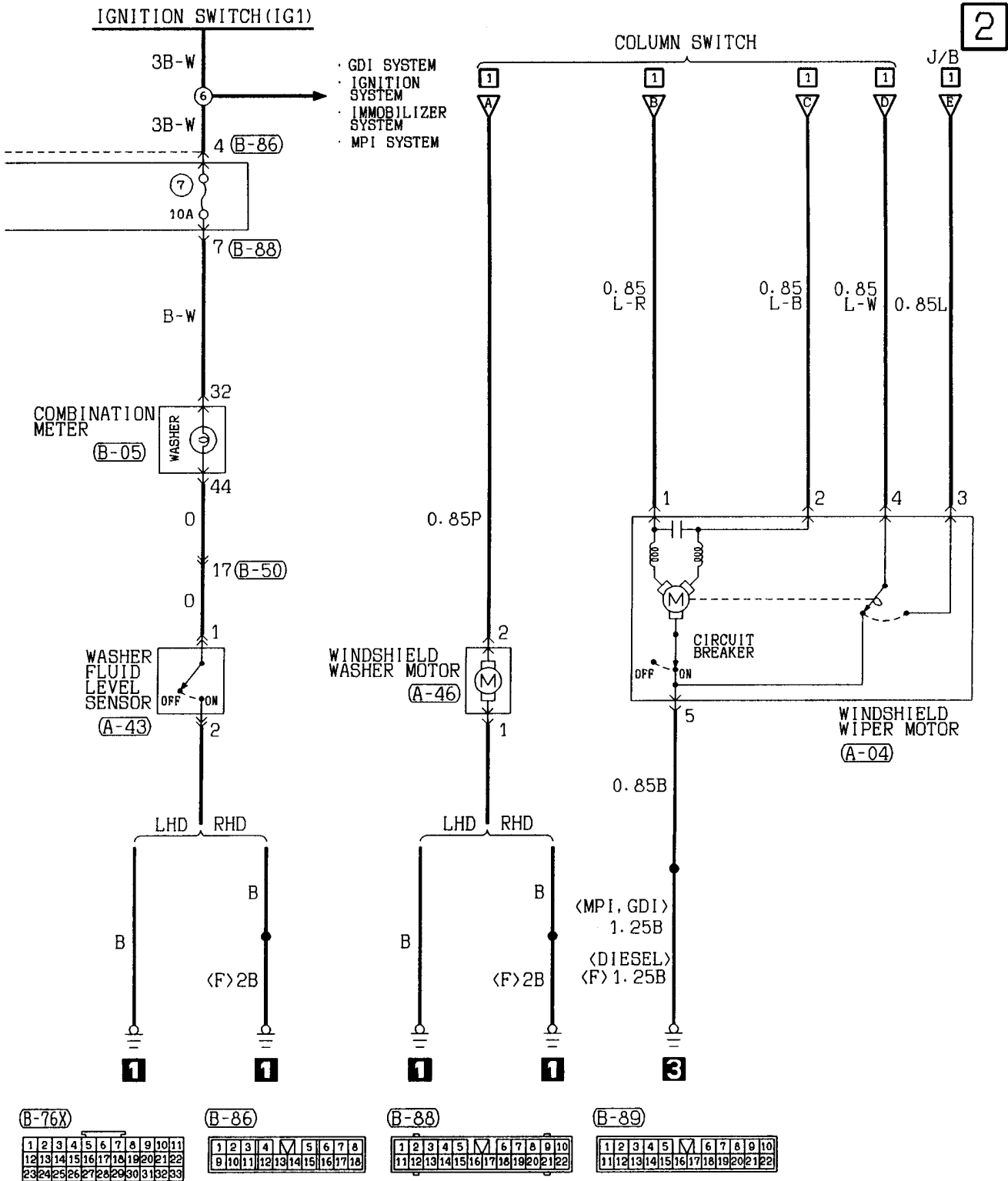
- Wipers do not operate.
 - Washer is not operative, either.
 - Check multi-purpose fuse No. (14).
 - Check earth.
- Low-speed (or high-speed) wiper operation only is inoperative.
 - Check wiper switch.
- Wipers do not stop.
 - Check wiper motor.
 - Check intermittent wiper relay.
 - Check wiper switch.
- Intermittent wiper operation is inoperative.
 - Check terminal voltage of steering-column switch (with a built-in intermittent wiper relay) with the intermittent wiper relay energized. (see below)
- The length of pause for intermittent operation cannot be varied.
 - Check variable intermittent wiper control switch.
 - Check intermittent wiper relay.
- Washer is inoperative.
 - Wiper is operative on washer-activated wiper operation.
 - Check washer motor.
 - Washer-activated wiper operation is inoperative also.
 - Check washer switch.
- Washer-activated wiper operation is inoperative.
 - Check intermittent wiper relay.

Terminal No.	Voltage	Check
8	0V	Intermittent wiper relay or wiper switch
	System voltage	Intermittent wiper relay
	0V ↔ System voltage (alternating)	– (Normal)

WINDSHIELD WIPER AND WASHER

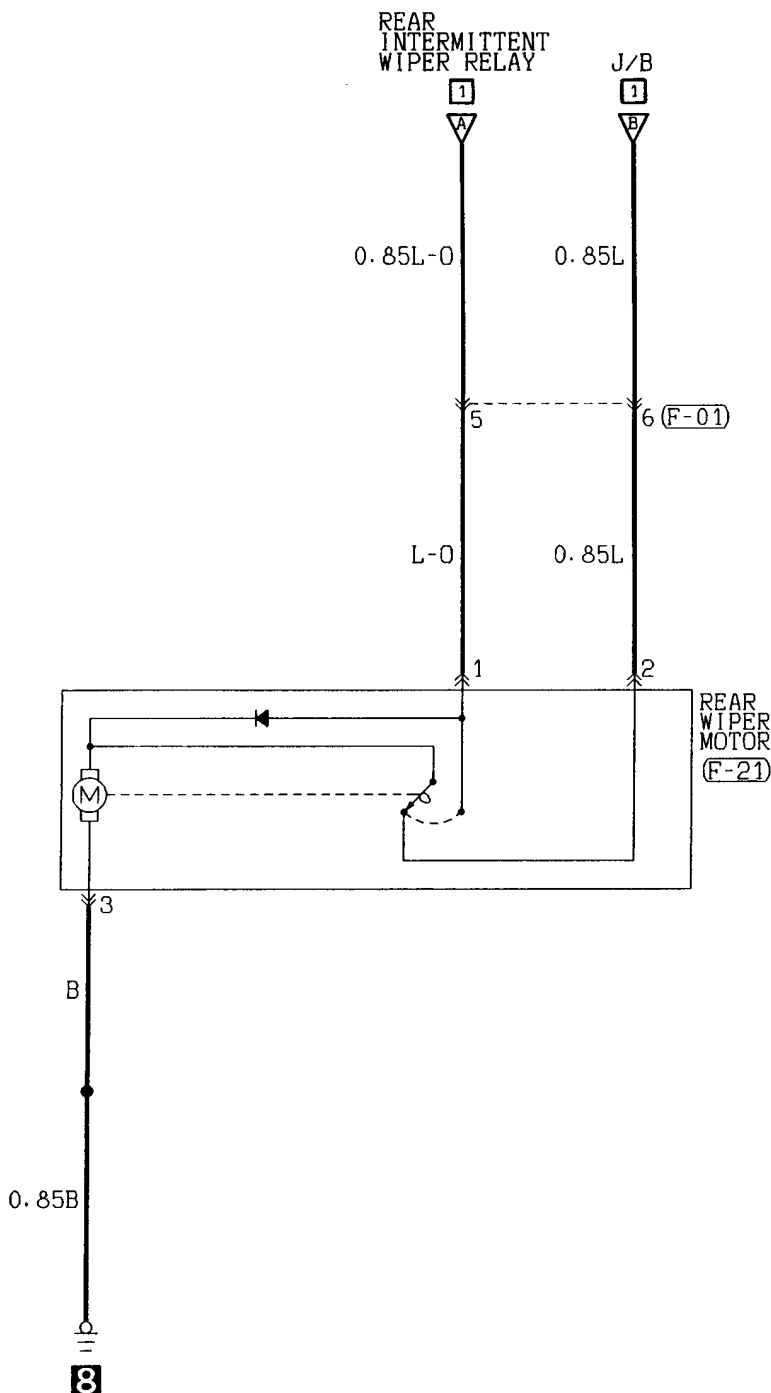
1





Wire colour code
 B : Black LG: Light green G : Green L : Blue W : White Y : Yellow SB: Sky blue
 BR: Brown O : Orange GR: Gray R : Red P : Pink V : Violet

2



(B-88)

1	2	3	4	5	6	7	8	9	10
11	12	13	14	15	16	17	18	19	20
21	22								

(B-89)

1	2	3	4	5	6	7	8	9	10
11	12	13	14	15	16	17	18	19	20
21	22								

(D-11)

1	2	3	4	5	6	7	8	9	10
11	12	13	14	15	16	17	18	19	20
21	22								

(F-01)

1	2	3
4	5	6
7	8	

(F-21)

1	2	3
---	---	---

Wire colour code

B : Black LG : Light green G : Green L : Blue W : White Y : Yellow SB : Sky blue
 BR : Brown O : Orange GR : Gray R : Red P : Pink V : Violet

REAR WIPER AND WASHER (See P. 4-202.)**OPERATION**

- When the wiper switch is placed in the ON or LO position with the ignition switch in the ACC or ON position, wipers operate continuously.

<Automatic wiper stopping operation>

- When the wiper switch is placed in the OFF position, the cam contacts of wiper motor causes current to flow through the automatic wiper stopping circuit, allowing the wiper blades to cycle before they reach to the stop positions.

<Intermittent wiper operation>

- When the wiper switch is placed in the INT position with the ignition switch in ACC or ON position, the intermittent wiper relay is energized causing the intermittent wiper relay contacts to close and open repeatedly.
- When the contacts are closed, the wiper motor is energized.
- When the wiper motor is energized, the relay contacts open, however, the cam contacts keep the wiper motor energized until the wiper blades return to their stop position.

TROUBLESHOOTING HINTS

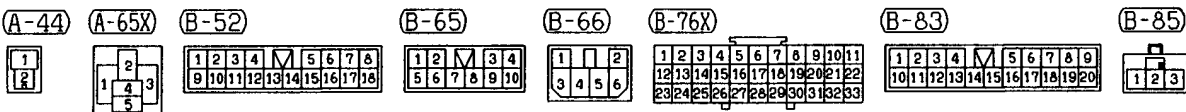
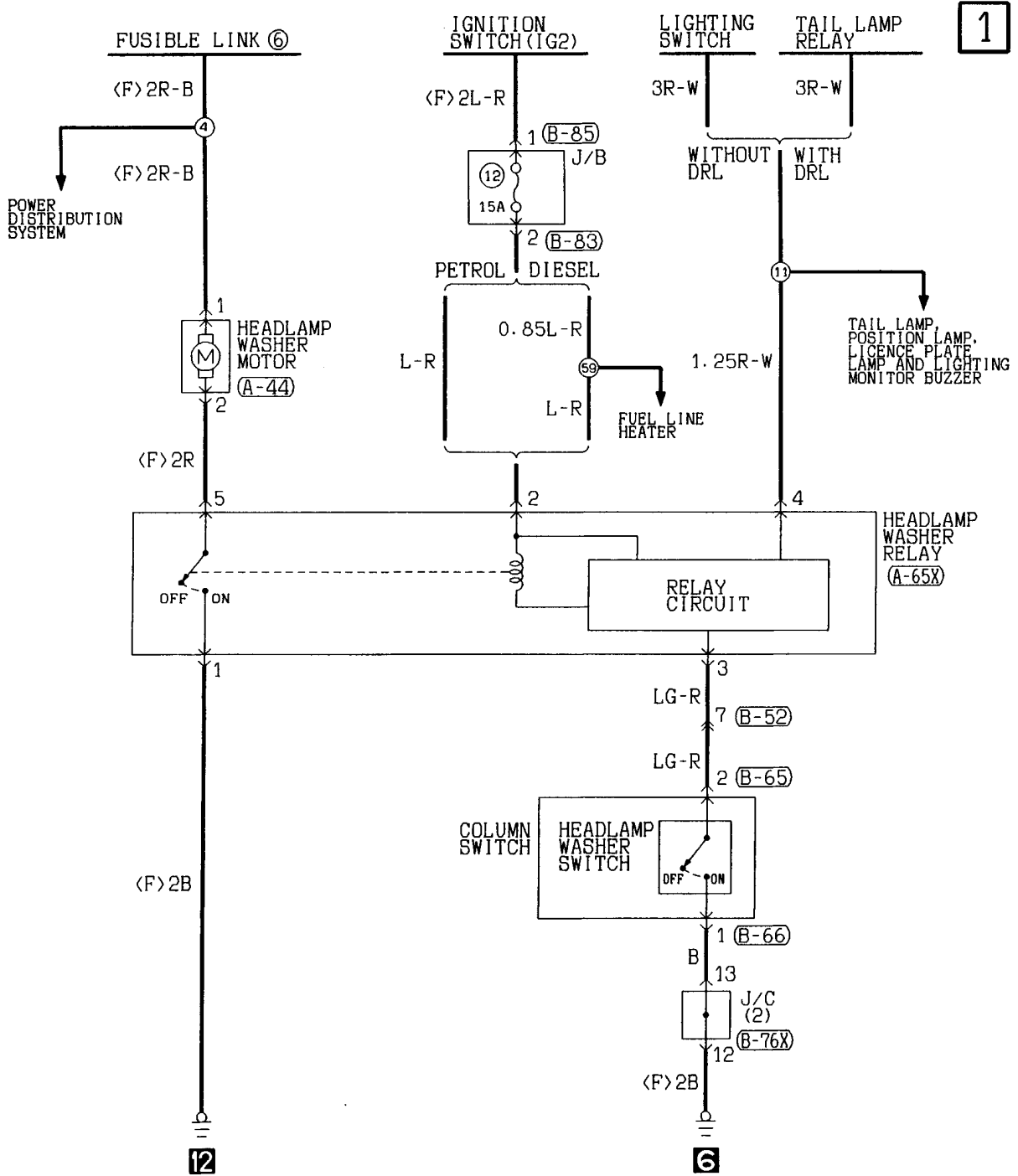
- Wipers do not operate.
 - Washer is not operative, either.
 - Check multi-purpose fuse No. (14).
 - Check earth.
 - Check wiper switch.
- Wipers do not stop.
 - Check wiper motor.
 - Check intermittent wiper relay.
 - Check wiper switch.
- Intermittent wiper operation is inoperative.
 - While the intermittent wiper relay is being operated, check terminal voltage of the intermittent wiper relay energized. (Refer to the table below.)
- Washer is inoperative.
 - Check washer motor.
 - Check washer switch.

HEADLAMP WASHER (See P. 4-205.)**OPERATION**

- When the headlamp washer switch is turned ON with ignition switch in ON and lighting switch in TAIL or HEAD position, the headlamp washer relay is energized causing the headlamp washer motor to start.

Terminal No.	Voltage	Check
4	0V	Intermittent wiper relay or wiper switch
	System voltage	Intermittent wiper relay
	0V ↔ System voltage (alternating)	– (Standard)

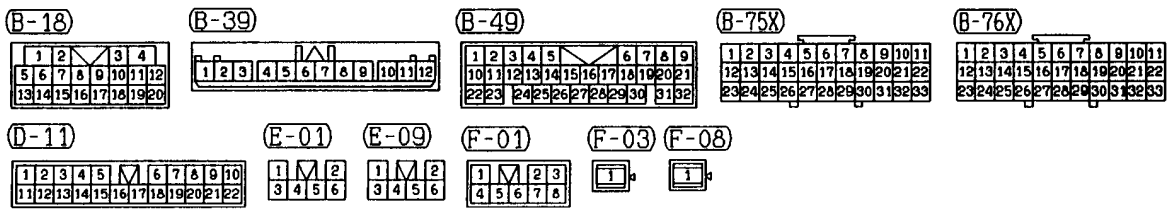
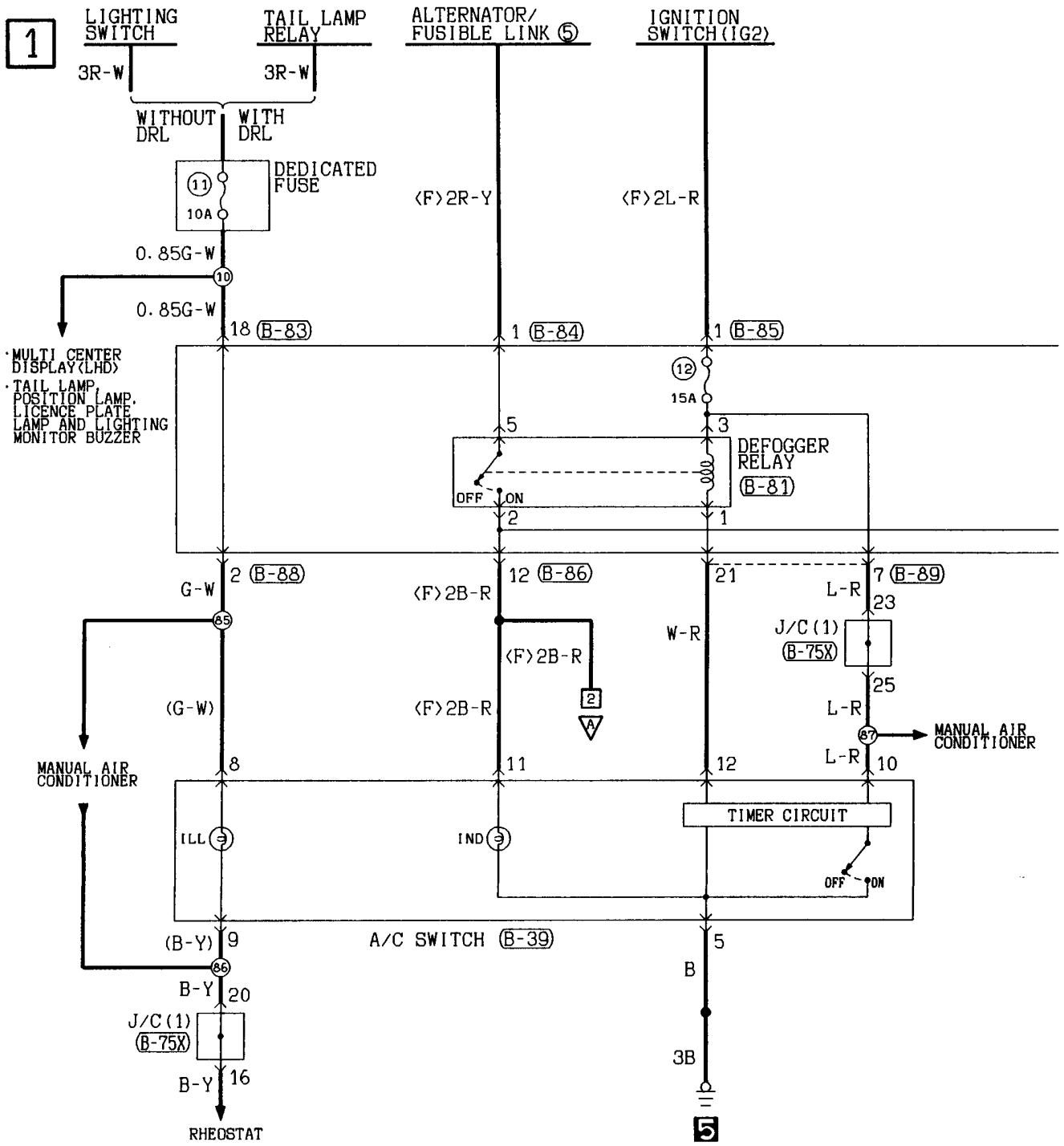
HEADLAMP WASHER



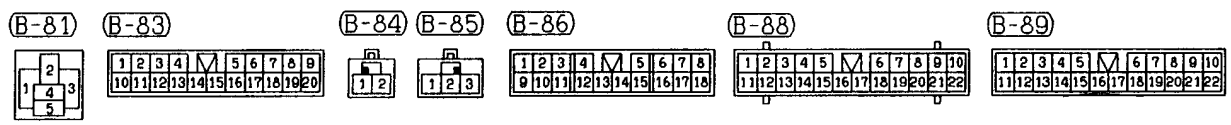
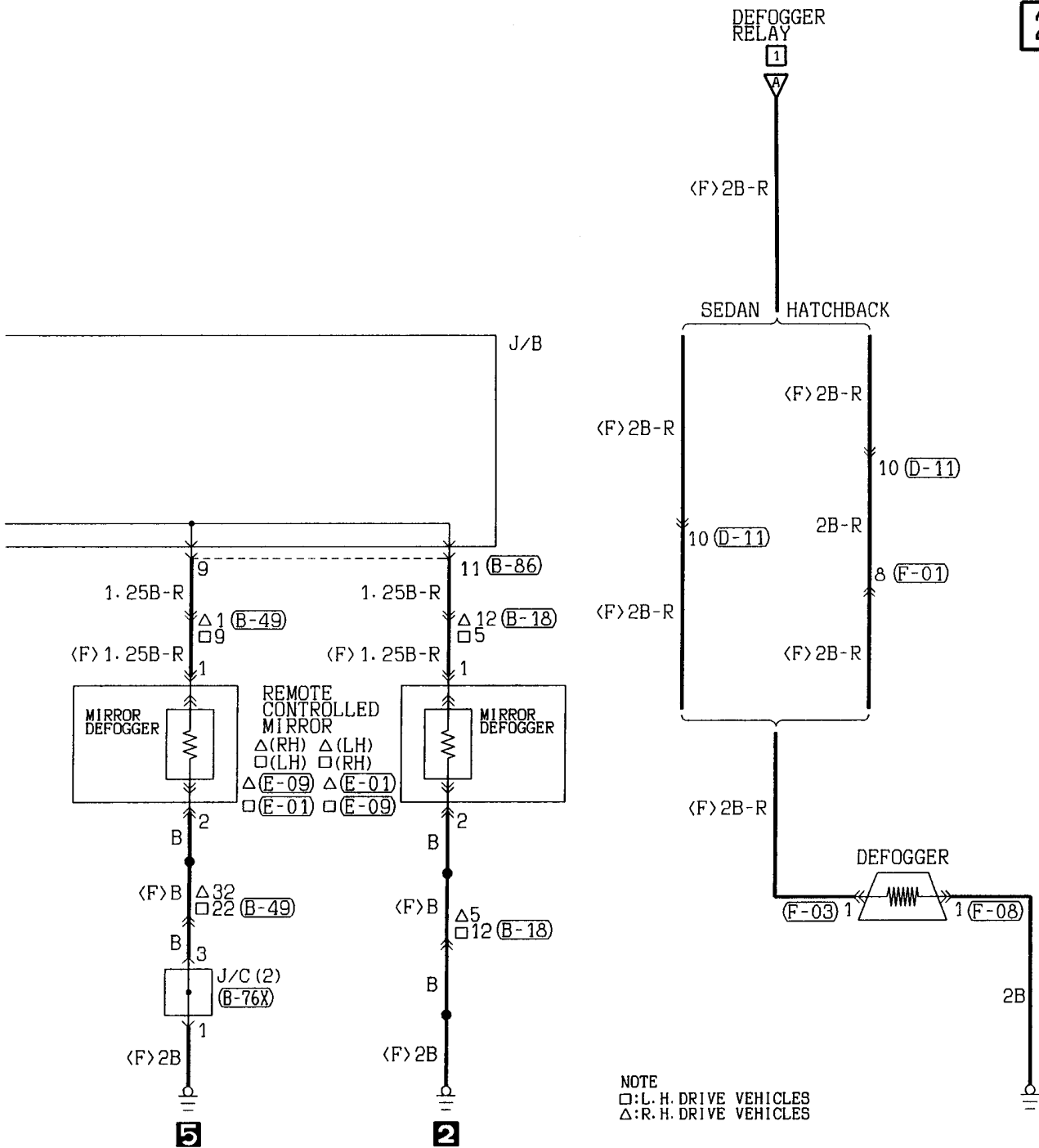
Wire colour code
 B : Black LG: Light green G : Green L : Blue W : White Y : Yellow SB: Sky blue
 BR: Brown O : Orange GR: Gray R : Red P : Pink V : Violet

DEFOGGER AND DOOR MIRROR HEATER

Vehicles without full-auto air conditioner



2

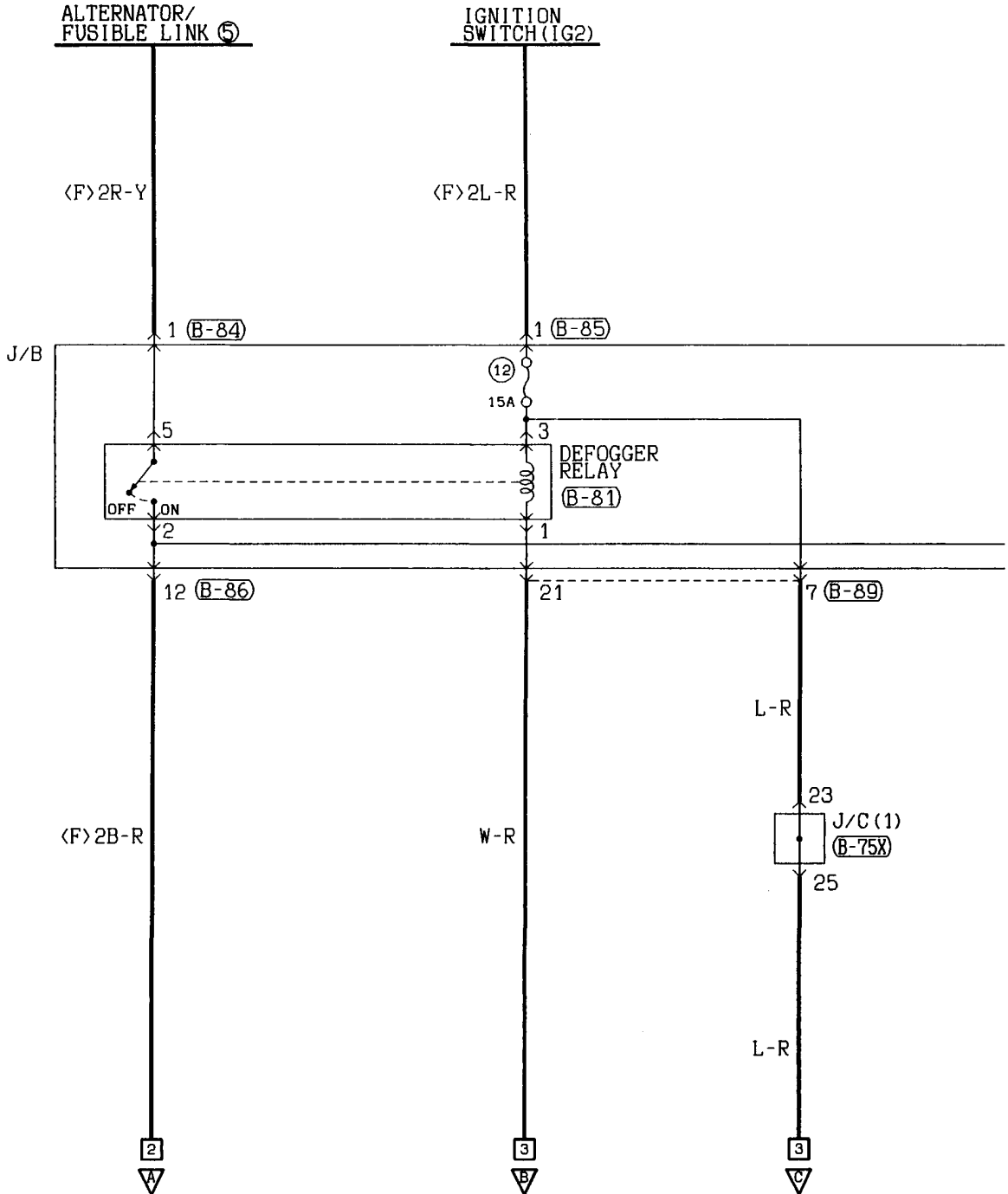


Wire colour code
 B :Black LG:Light green G :Green L :Blue W :White Y :Yellow SB:Sky blue
 BR:Brown O :Orange GR:Gray R :Red P :Pink V :Violet

DEFOGGER AND DOOR MIRROR HEATER

Vehicles with full-auto air conditioner

1



(B-18)

1	2	3	4
5	6	7	8
9	10	11	12
13	14	15	16
17	18	19	20

(B-49)

1	2	3	4	5	6	7	8	9
10	11	12	13	14	15	16	17	18
19	20	21	22	23	24	25	26	27
28	29	30	31	32	33			

(B-75X)

1	2	3	4	5	6	7	8	9	10	11
12	13	14	15	16	17	18	19	20	21	22
23	24	25	26	27	28	29	30	31	32	33

(B-76X)

1	2	3	4	5	6	7	8	9	10	11
12	13	14	15	16	17	18	19	20	21	22
23	24	25	26	27	28	29	30	31	32	33

(B-81)



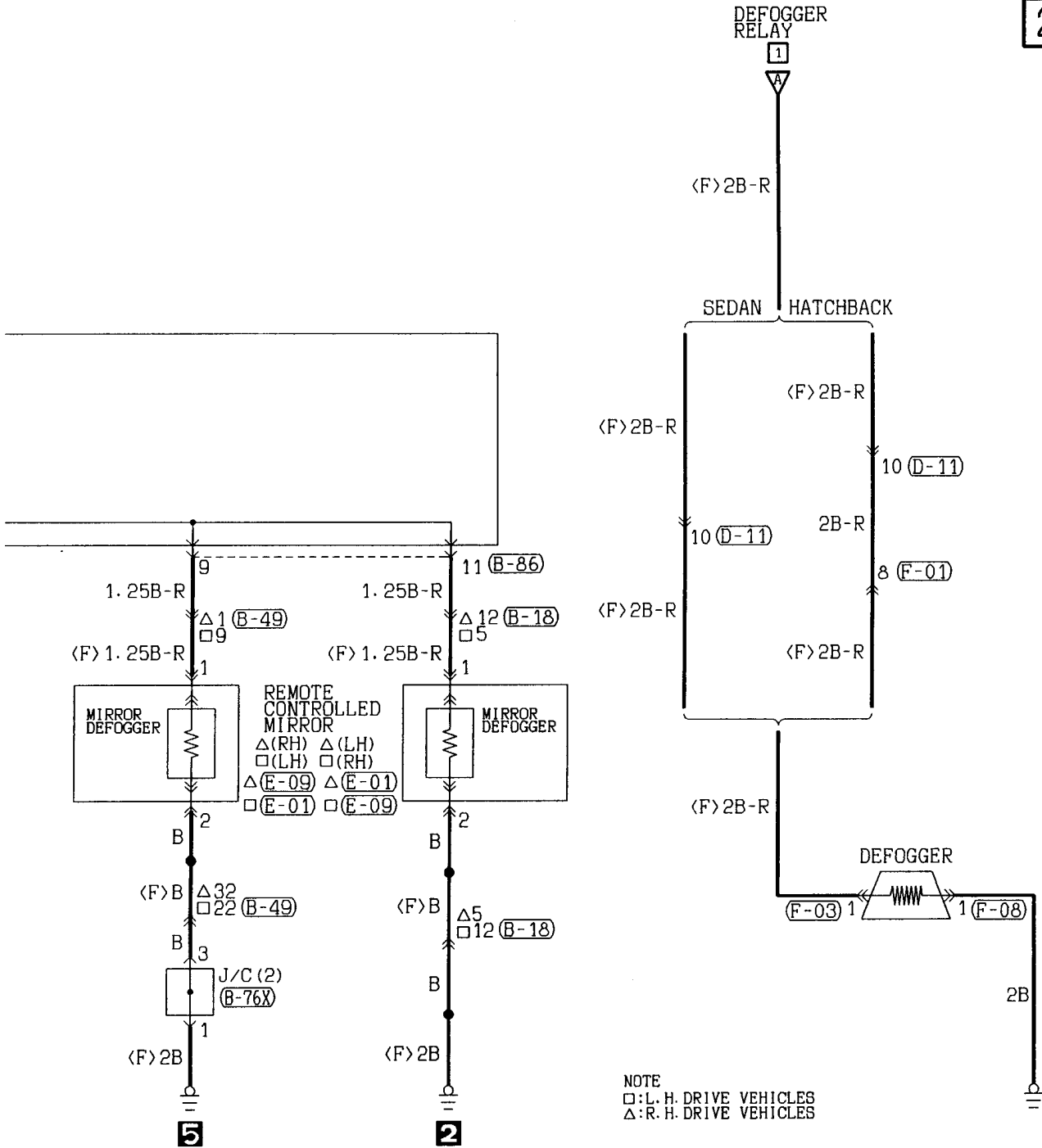
(B-84)



(B-85)



2

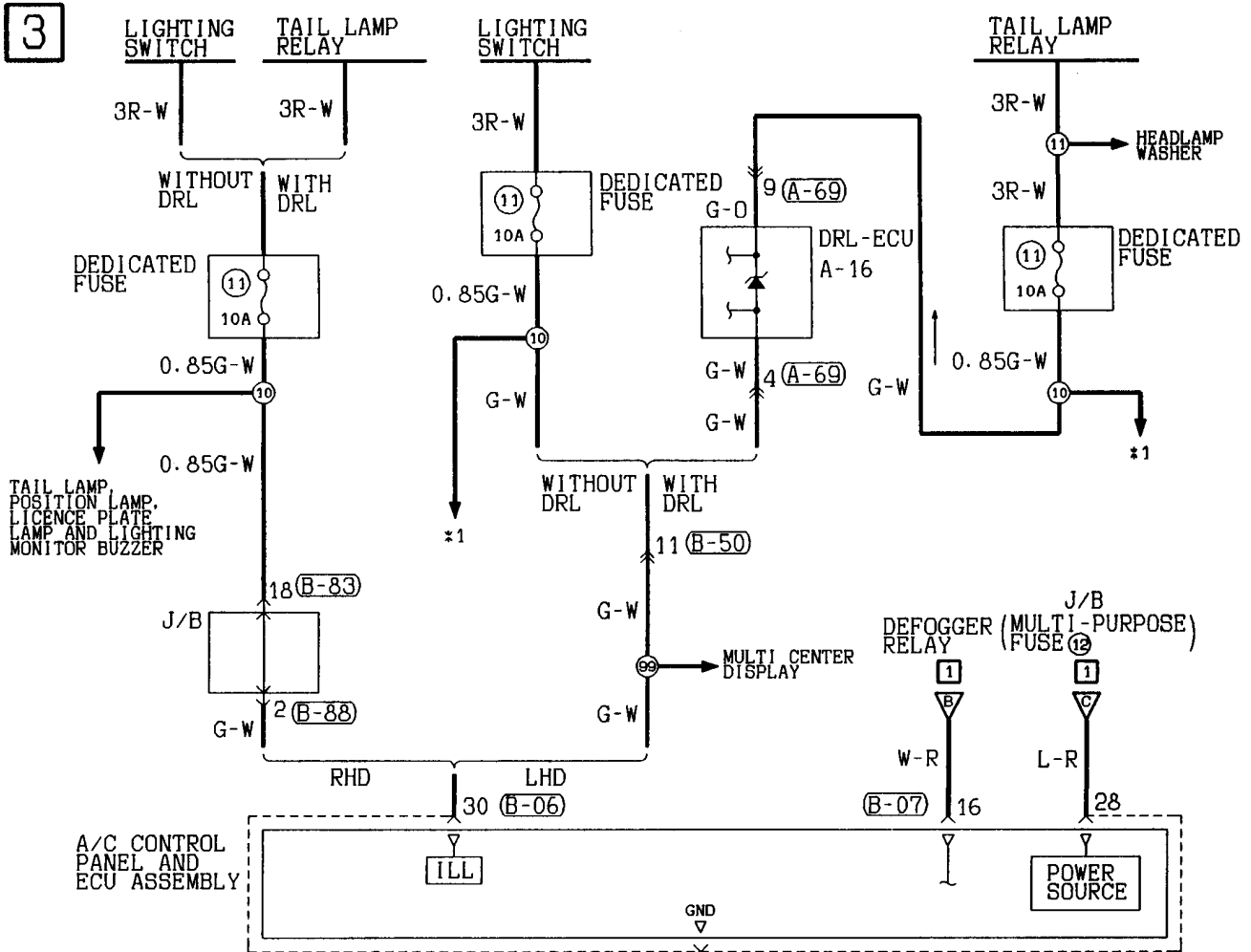


NOTE
 □: L. H. DRIVE VEHICLES
 △: R. H. DRIVE VEHICLES

(B-86)	(B-89)	(D-11)	(E-01)	(E-09)	(F-01)	(F-03)	(F-08)
1 2 3 4 5 6 7 8 9 10 11 12 13 14 15 16 17 18	1 2 3 4 5 6 7 8 9 10 11 12 13 14 15 16 17 18 19 20 21 22	1 2 3 4 5 6 7 8 9 10 11 12 13 14 15 16 17 18 19 20 21 22	1 2 3 4 5 6	1 2 3 4 5 6	1 2 3 4 5 6 7 8	1	1

Wire colour code
 B : Black LG: Light green G : Green L : Blue W : White Y : Yellow SB: Sky blue
 BR: Brown O : Orange GR: Gray R : Red P : Pink V : Violet

DEFOGGER AND DOOR MIRROR HEATER <Vehicles with full-auto air conditioner> (CONTINUED)



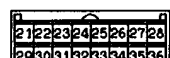
NOTE

- *1:
- ELC 4-SPEED AUTOMATIC TRANSMISSION
 - FRONT FOG LAMP
 - GDI SYSTEM
 - GLOVE BOX LAMP
 - HEATED SEAT
 - METER AND GAUGE
 - RADIO AND TAPE PLAYER OR CD PLAYER
 - REAR FOG LAMP
 - REMOTE CONTROLLED MIRROR
 - RHEOSTAT
 - TAIL LAMP, POSITION LAMP, LICENCE PLATE LAMP AND LIGHTING MONITOR BUZZER

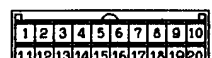
(A-69)



(B-06)



(B-07)



(B-50)



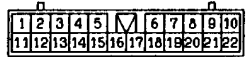
(B-75X)



(B-83)



(B-88)

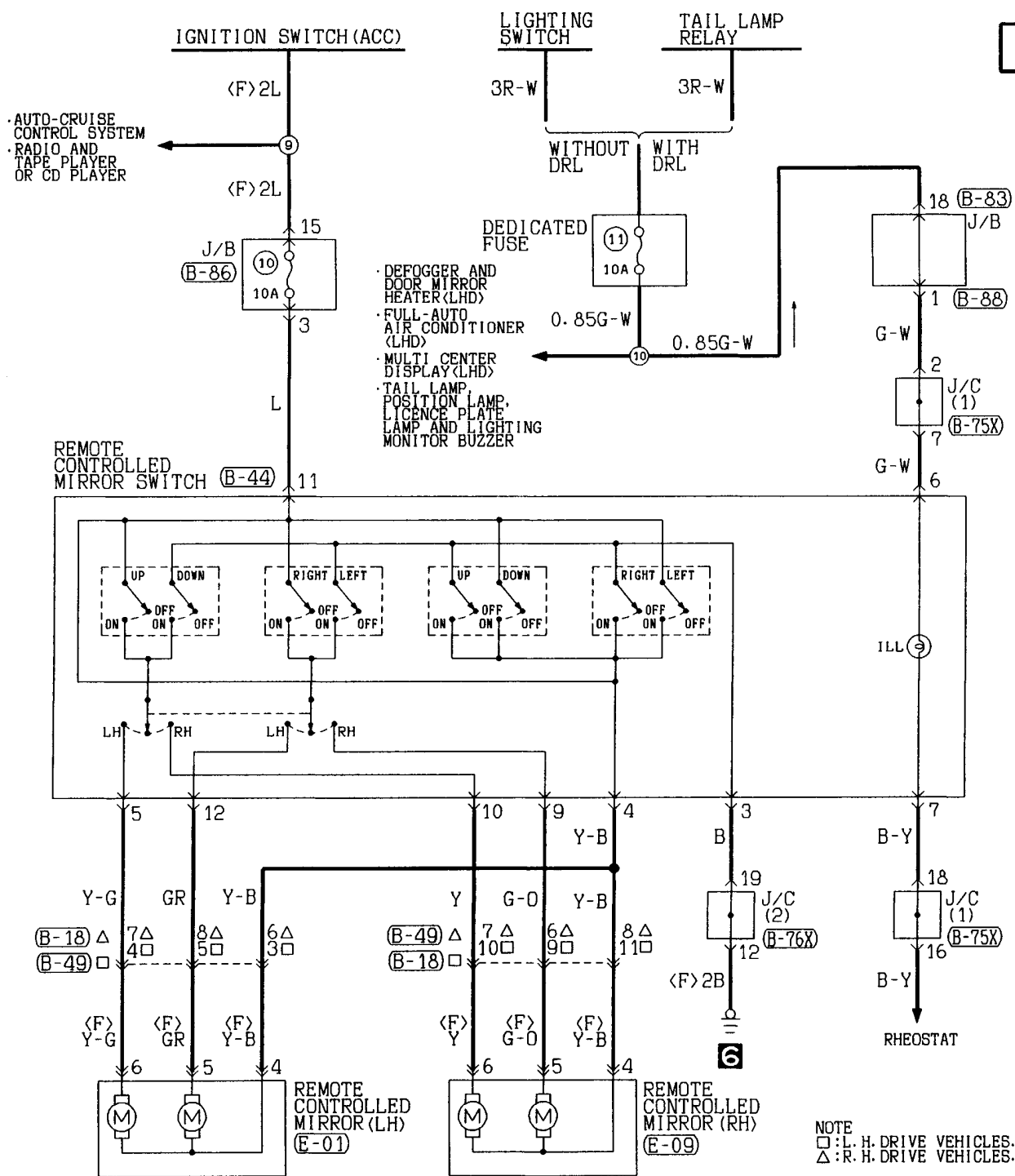


Wire colour code

B : Black	LG : Light green	G : Green	L : Blue
BR : Brown	O : Orange	GR : Gray	Y : Red
W : White	SB : Sky blue	P : Pink	RY : Yellow
V : Violet			

REMOTE CONTROLLED MIRROR

1



(B-18)

1	2	3	4
5	6	7	8
9	10	11	12
13	14	15	16
17	18	19	20

(B-44)

1	2	M	3	4	5
6	7	8	9	10	11
12	13	14	15	16	17
18	19	20	21	22	23

(B-49)

1	2	3	4	5	6	7	8	9
10	11	12	13	14	15	16	17	18
19	20	21	22	23	24	25	26	27
28	29	30	31	32	33	34	35	36

(B-75X)

1	2	3	4	5	6	7	8	9	10	11	12
13	14	15	16	17	18	19	20	21	22	23	24
25	26	27	28	29	30	31	32	33	34	35	36

(B-76X)

1	2	3	4	5	6	7	8	9	10	11	12
13	14	15	16	17	18	19	20	21	22	23	24
25	26	27	28	29	30	31	32	33	34	35	36

(B-83)

1	2	3	4	M	5	6	7	8	9
10	11	12	13	14	15	16	17	18	19
20	21	22	23	24	25	26	27	28	29
30	31	32	33	34	35	36	37	38	39

(B-86)

1	2	3	4	M	5	6	7	8
9	10	11	12	13	14	15	16	17
18	19	20	21	22	23	24	25	26

(B-88)

1	2	3	4	5	M	6	7	8	9	10
11	12	13	14	15	16	17	18	19	20	21
22	23	24	25	26	27	28	29	30	31	32

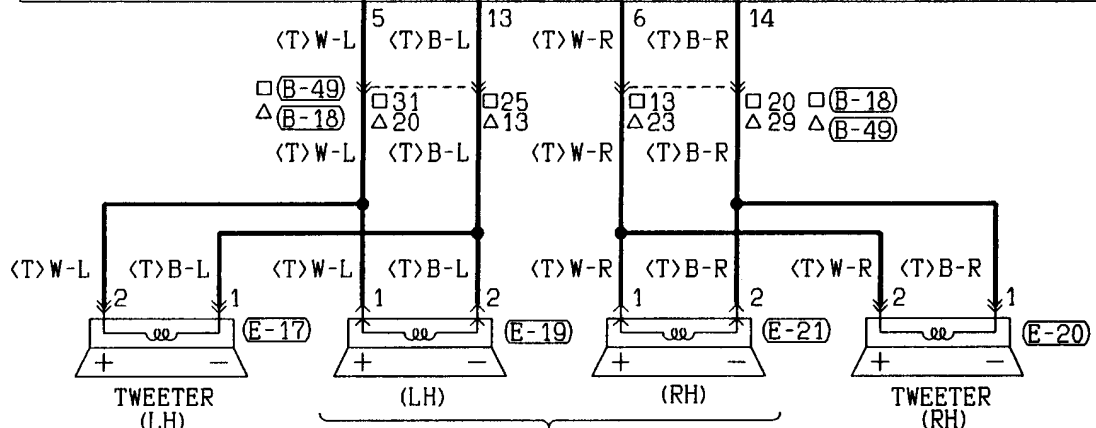
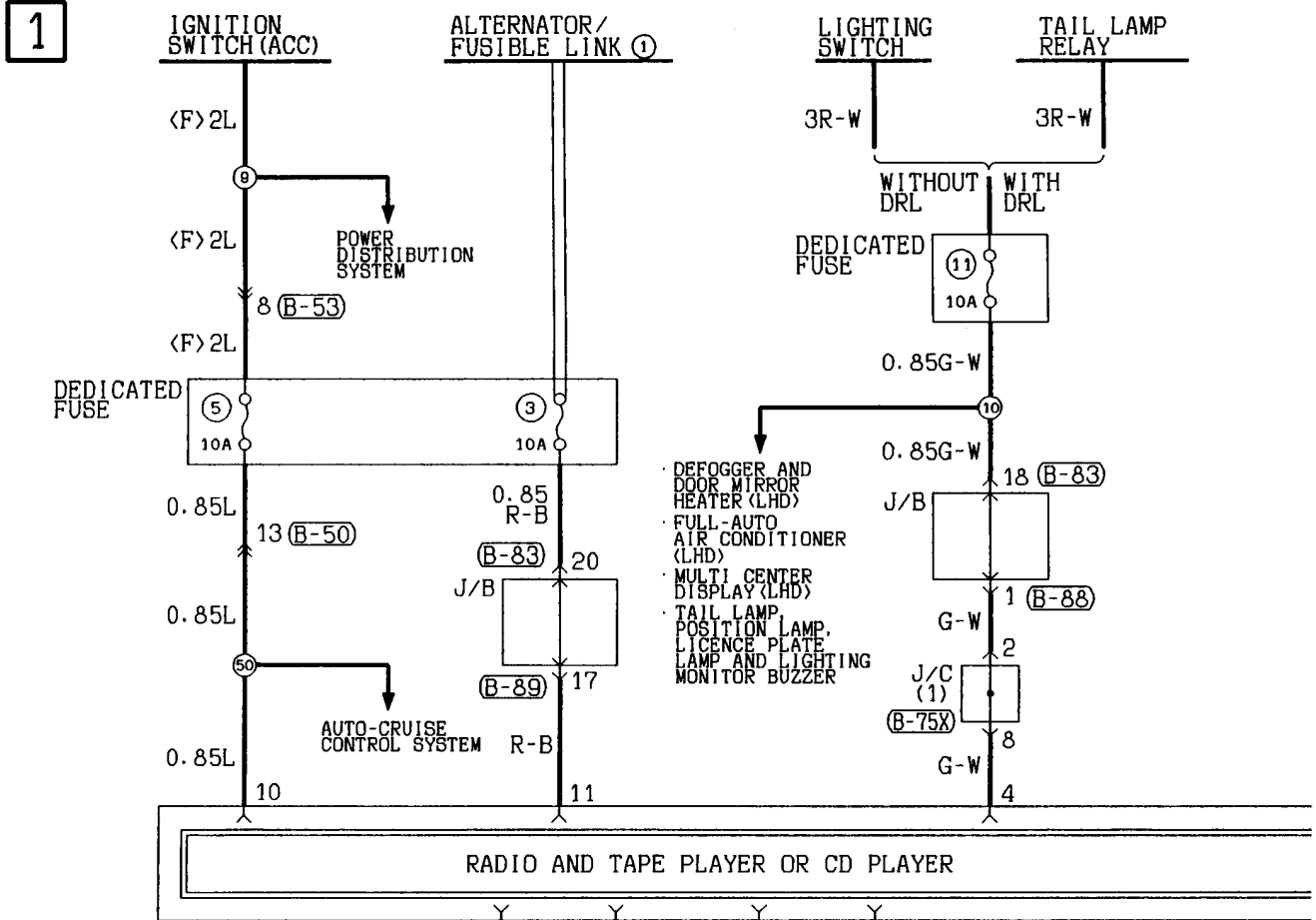
(E-01)

1	M	2	
3	4	5	6

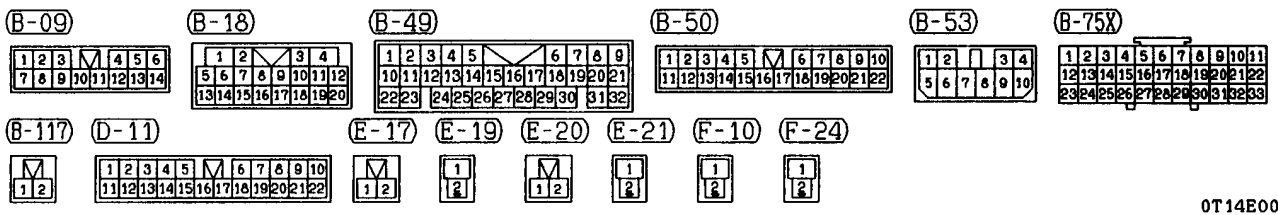
(E-09)

1	M	2	
3	4	5	6

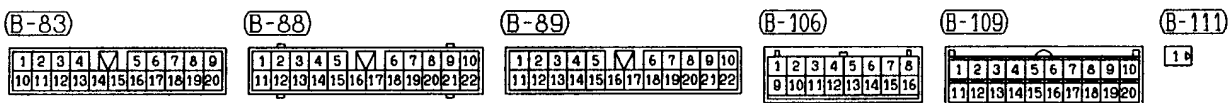
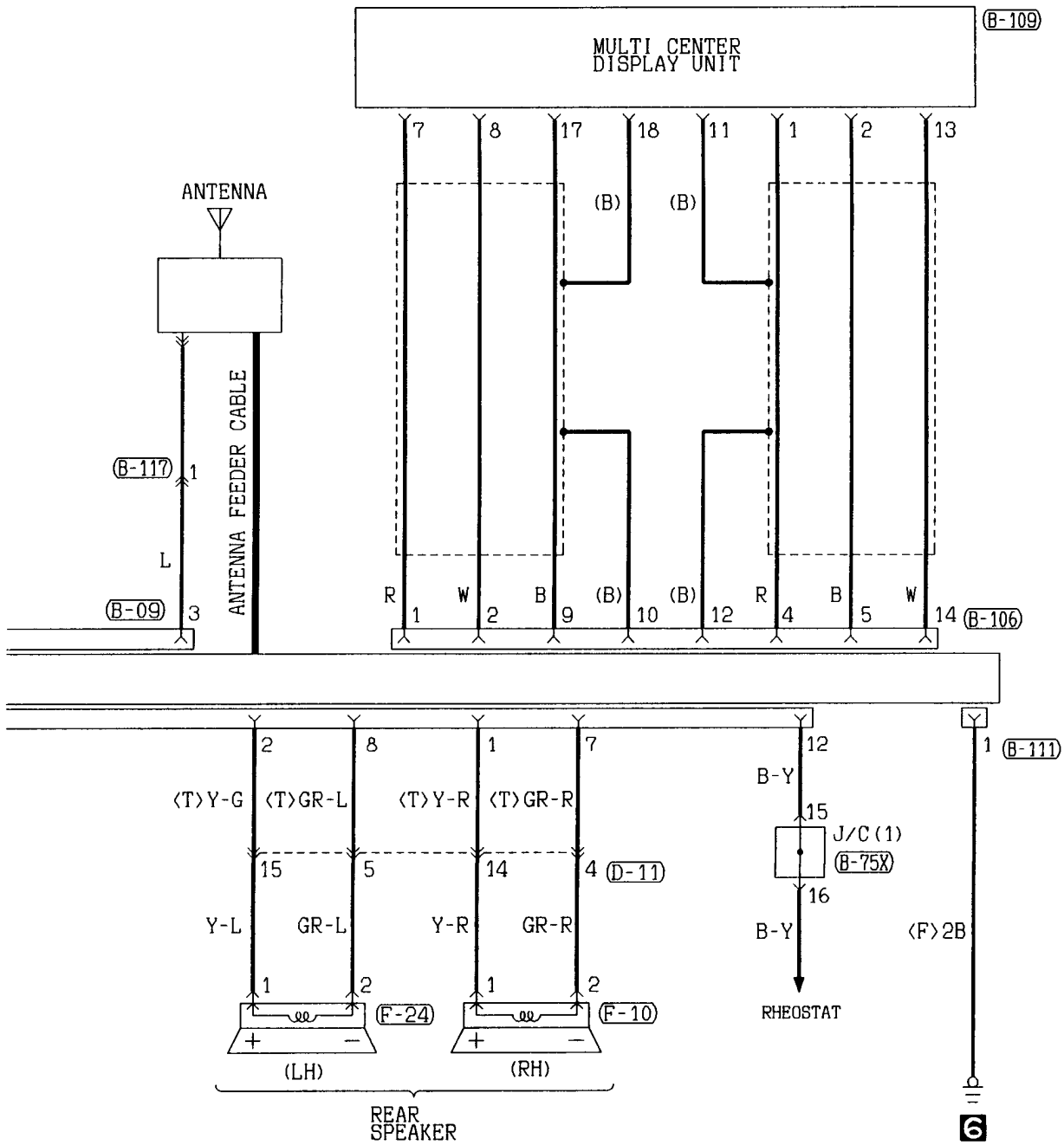
RADIO AND TAPE PLAYER OR CD PLAYER



NOTE
 □: L. H. DRIVE VEHICLES.
 △: R. H. DRIVE VEHICLES.



2

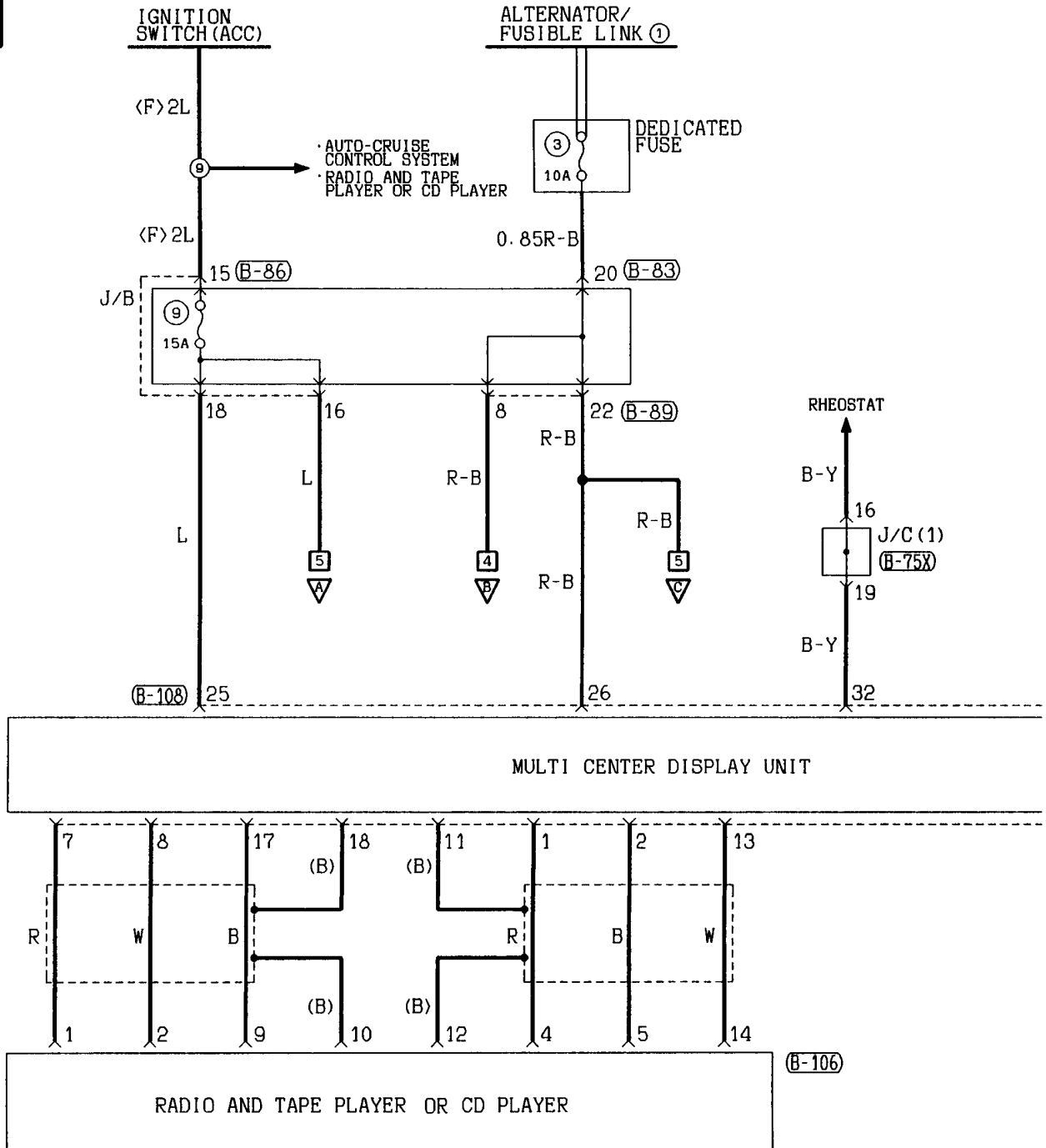


Wire colour code
 B :Black LG:Light green G :Green L :Blue W :White Y :Yellow SB:Sky blue
 BR:Brown O :Orange GR:Gray R :Red P :Pink V :Violet

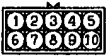
MULTI CENTER DISPLAY

Petrol-powered vehicles

1



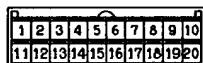
A-69



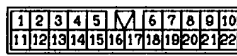
B-06



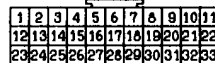
B-07



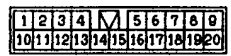
B-50



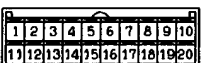
B-75X



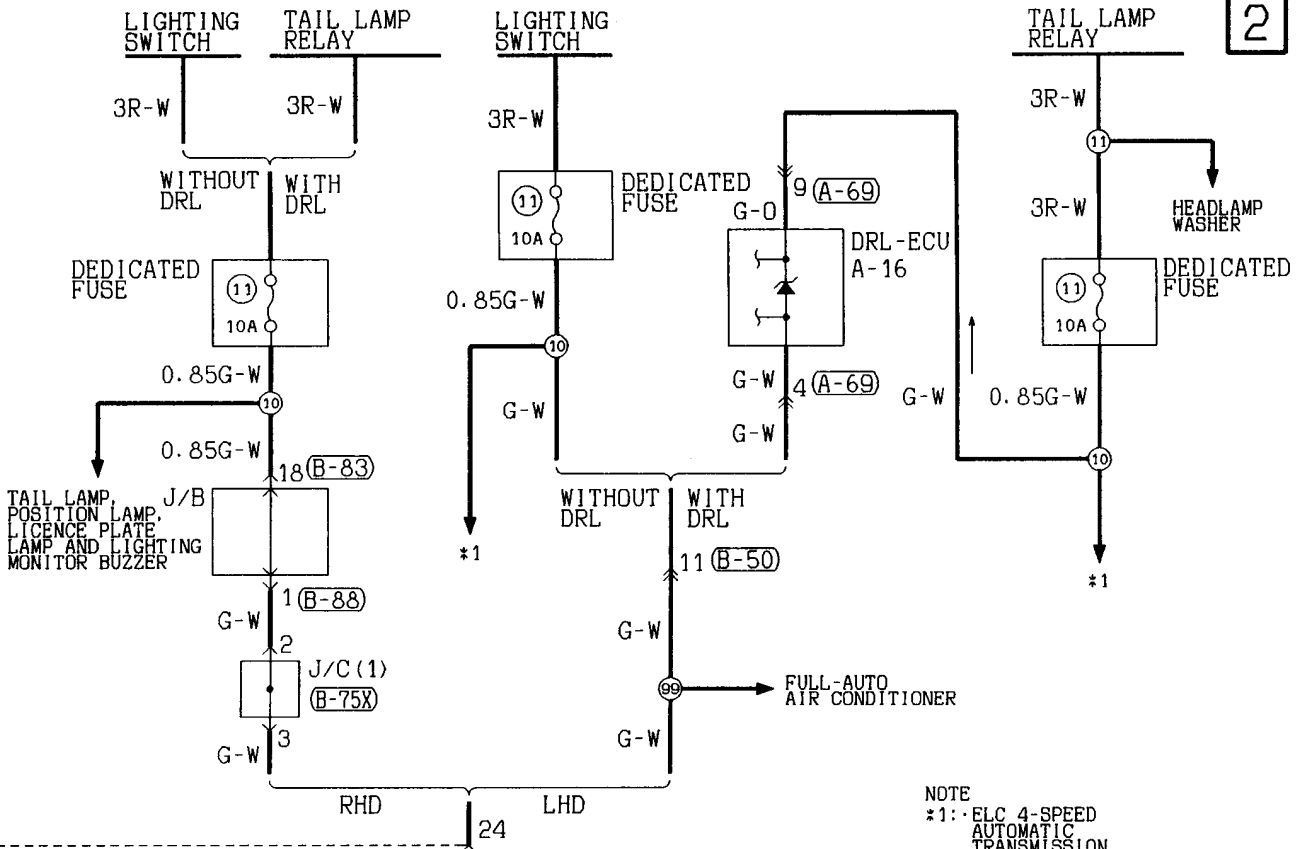
B-83



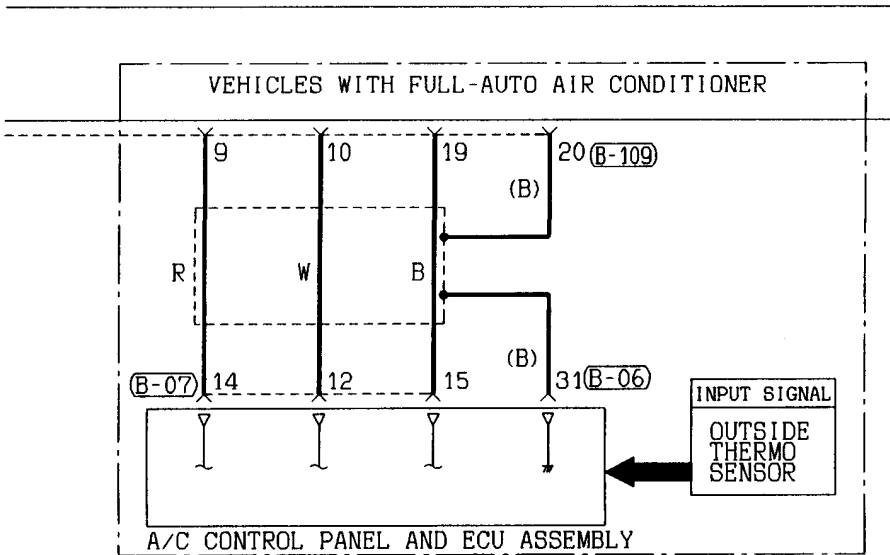
B-109



2



- NOTE
- *1: ELC 4-SPEED AUTOMATIC TRANSMISSION
 - FRONT FOG LAMP
 - GDI SYSTEM
 - GLOVE BOX LAMP
 - HEATED SEAT
 - HEATER
 - MANUAL AIR CONDITIONER
 - METER AND GAUGE
 - RADIO AND TAPE PLAYER OR CD PLAYER
 - REAR FOG LAMP
 - REMOTE CONTROLLED MIRROR
 - RHEOSTAT
 - TAIL LAMP, POSITION LAMP, LICENCE PLATE LAMP AND LIGHTING MONITOR BUZZER



(B-86)

1	2	3	4	5	6	7	8		
9	10	11	12	13	14	15	16	17	18

(B-88)

1	2	3	4	5	6	7	8	9	10		
11	12	13	14	15	16	17	18	19	20	21	22

(B-89)

1	2	3	4	5	6	7	8	9	10		
11	12	13	14	15	16	17	18	19	20	21	22

(B-106)

1	2	3	4	5	6	7	8
9	10	11	12	13	14	15	16

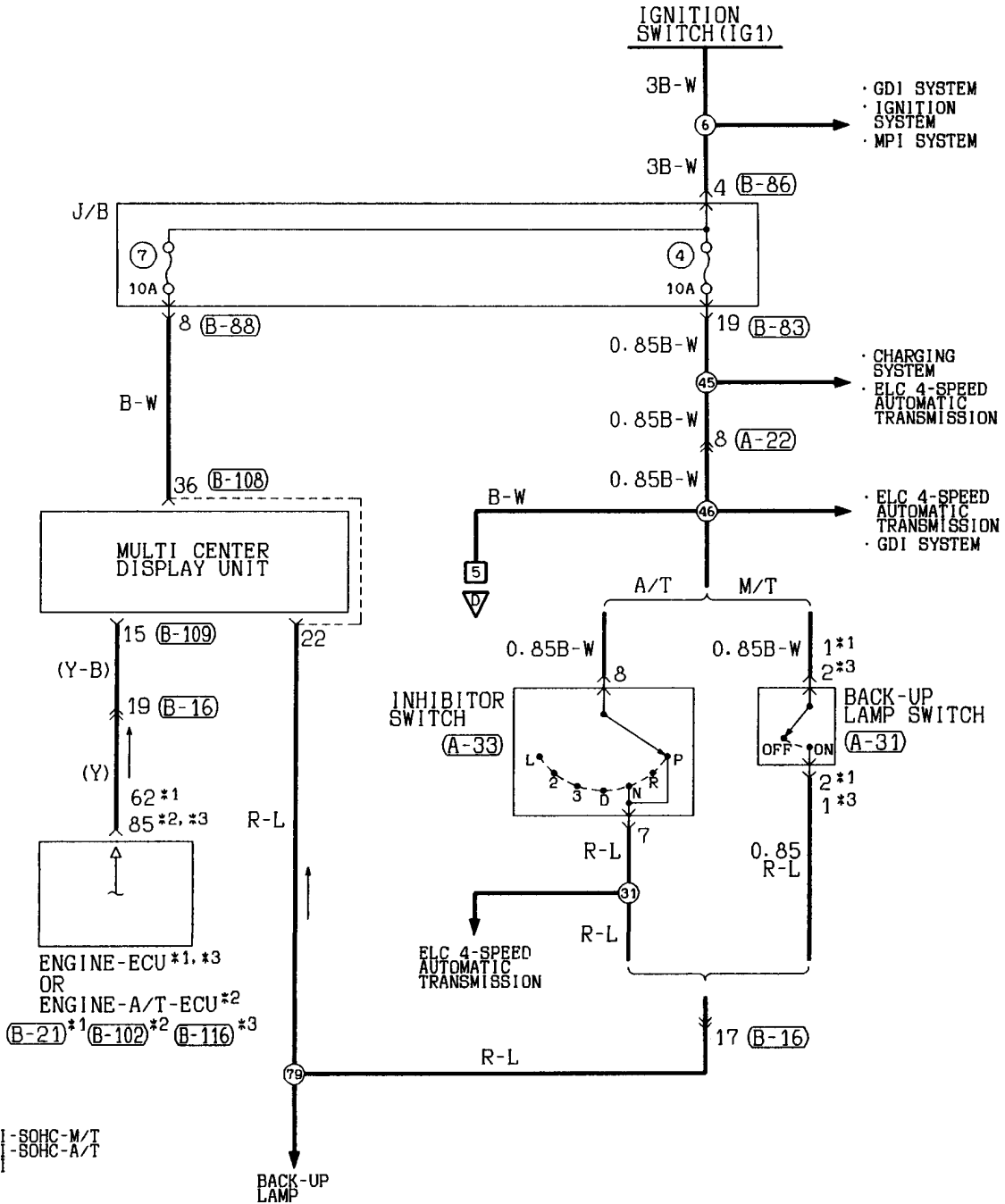
(B-108)

1	2	3	4	5	6	7	8				
9	10	11	12	13	14	15	16				
17	18	19	20	21	22	23	24				
25	26	27	28	29	30	31	32	33	34	35	36

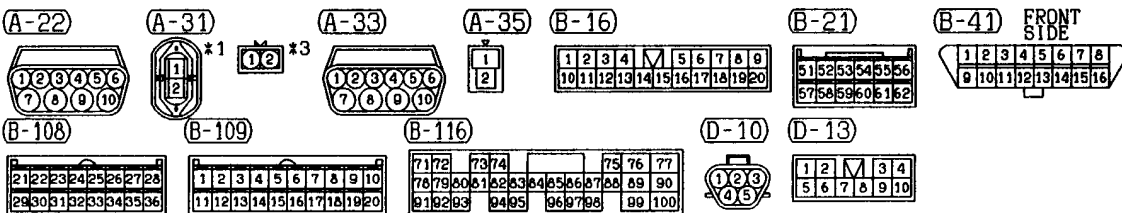
Wire colour code
 B:Black LG:Light green G:Green L:Blue W:White Y:Yellow SB:Sky blue
 BR:Brown O:Orange GR:Gray R:Red P:Pink V:Violet

MULTI CENTER DISPLAY <Petrol-powered vehicles> (CONTINUED)

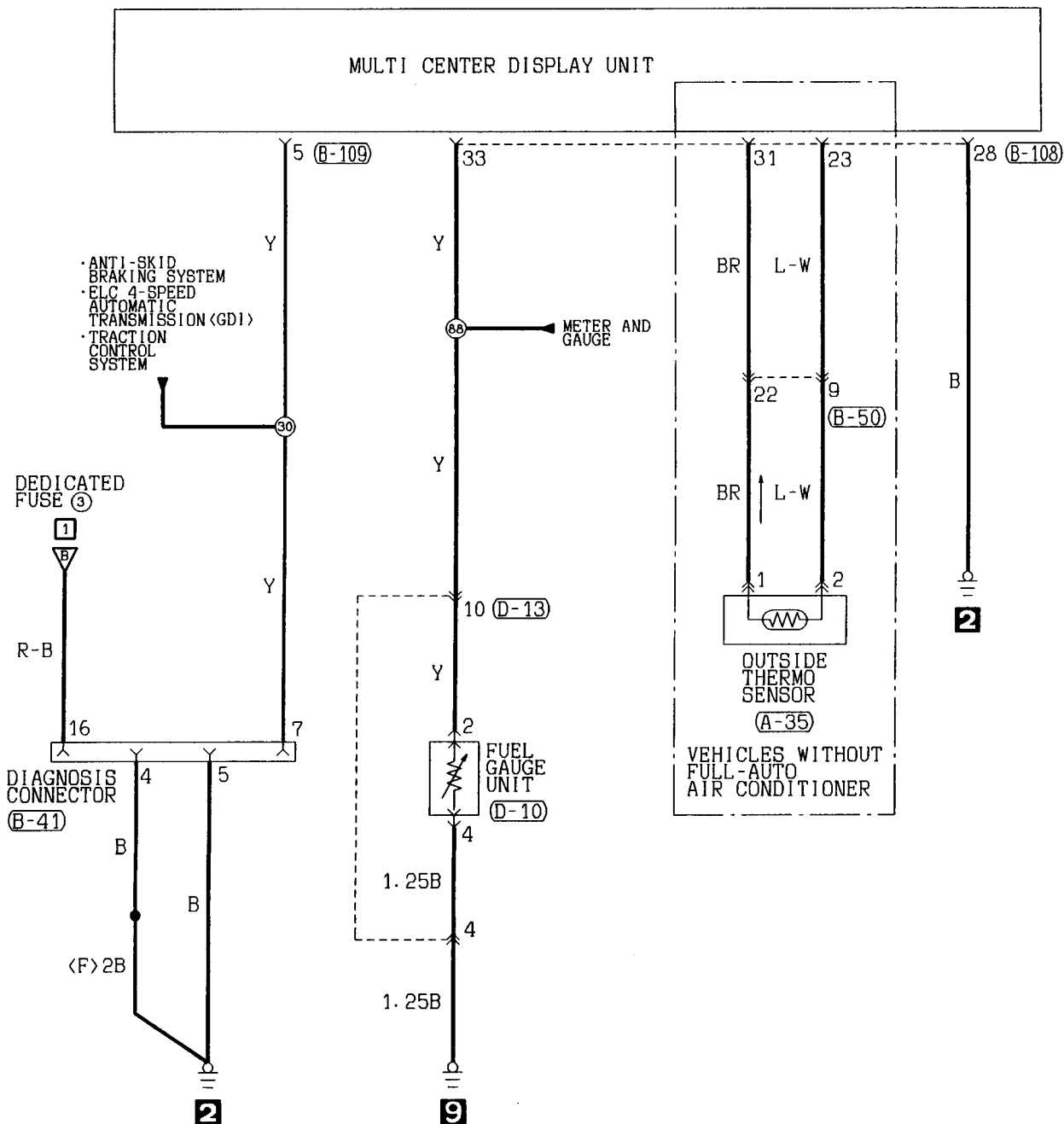
3



NOTE
 *1: MPI - SOHC-M/T
 *2: MPI - SOHC-A/T
 *3: GDI



4



(B-50)

1	2	3	4	5	6	7	8	9	10
11	12	13	14	15	16	17	18	19	20
21	22								

(B-83)

1	2	3	4	5	6	7	8	9
10	11	12	13	14	15	16	17	18
19	20							

(B-86)

1	2	3	4	5	6	7	8
9	10	11	12	13	14	15	16
17	18						

(B-88)

1	2	3	4	5	6	7	8	9	10
11	12	13	14	15	16	17	18	19	20
21	22								

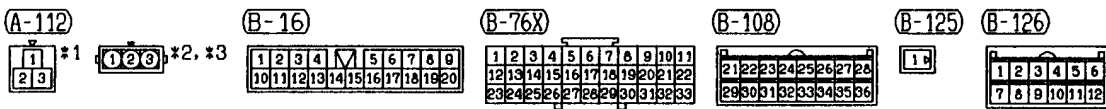
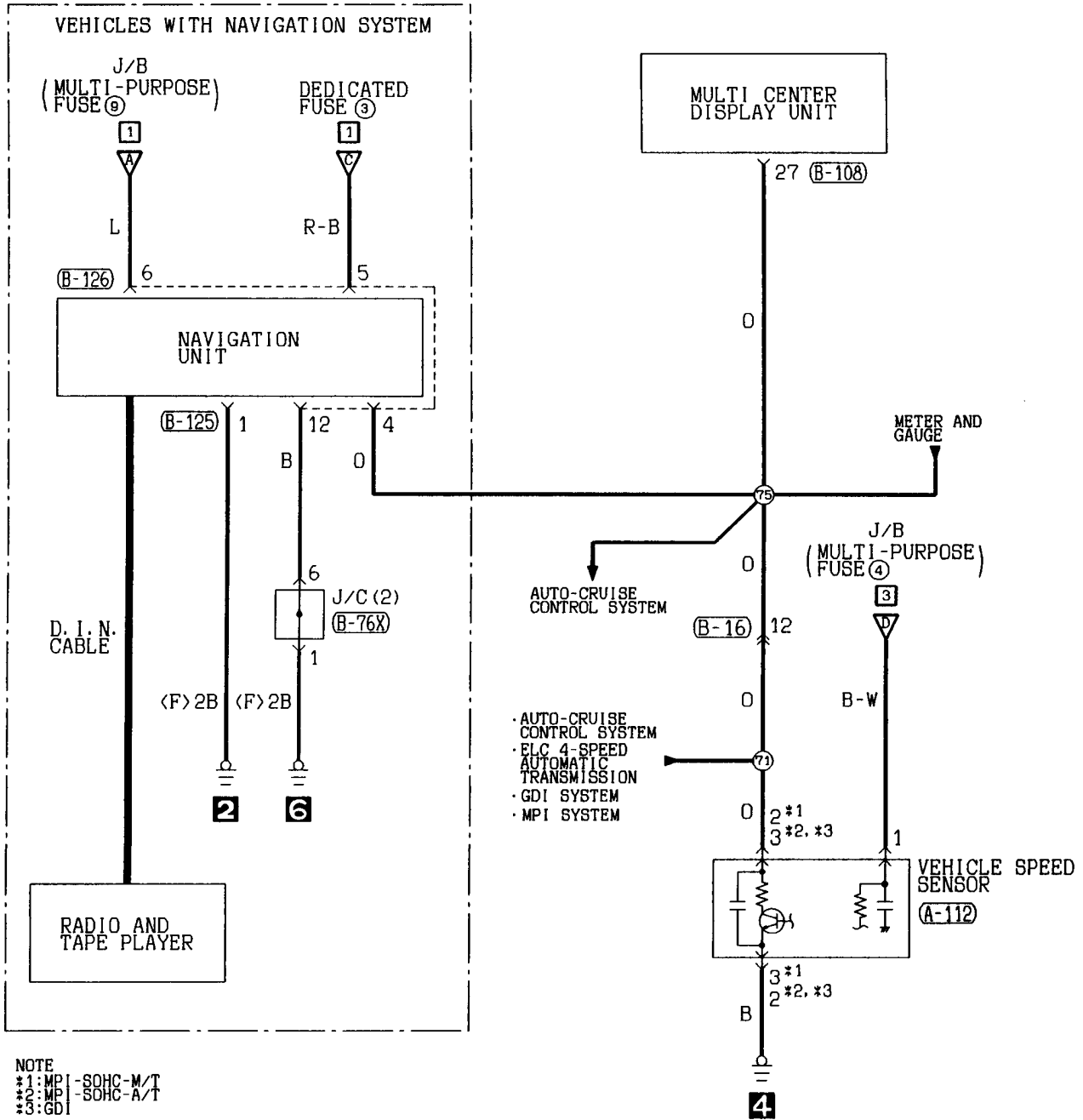
(B-102)

71	72	73	74			75	76	77
78	79	80	81	82	83	84	85	86
87	88	89	90	91	92	93	94	95
96	97	98						

Wire colour code
 B : Black LG:Light green G : Green L : Blue W : White Y : Yellow SB:Sky blue
 BR:Brown O : Orange GR:Gray R : Red P : Pink V : Violet

MULTI CENTER DISPLAY <Petrol-powered vehicles> (CONTINUED)

5



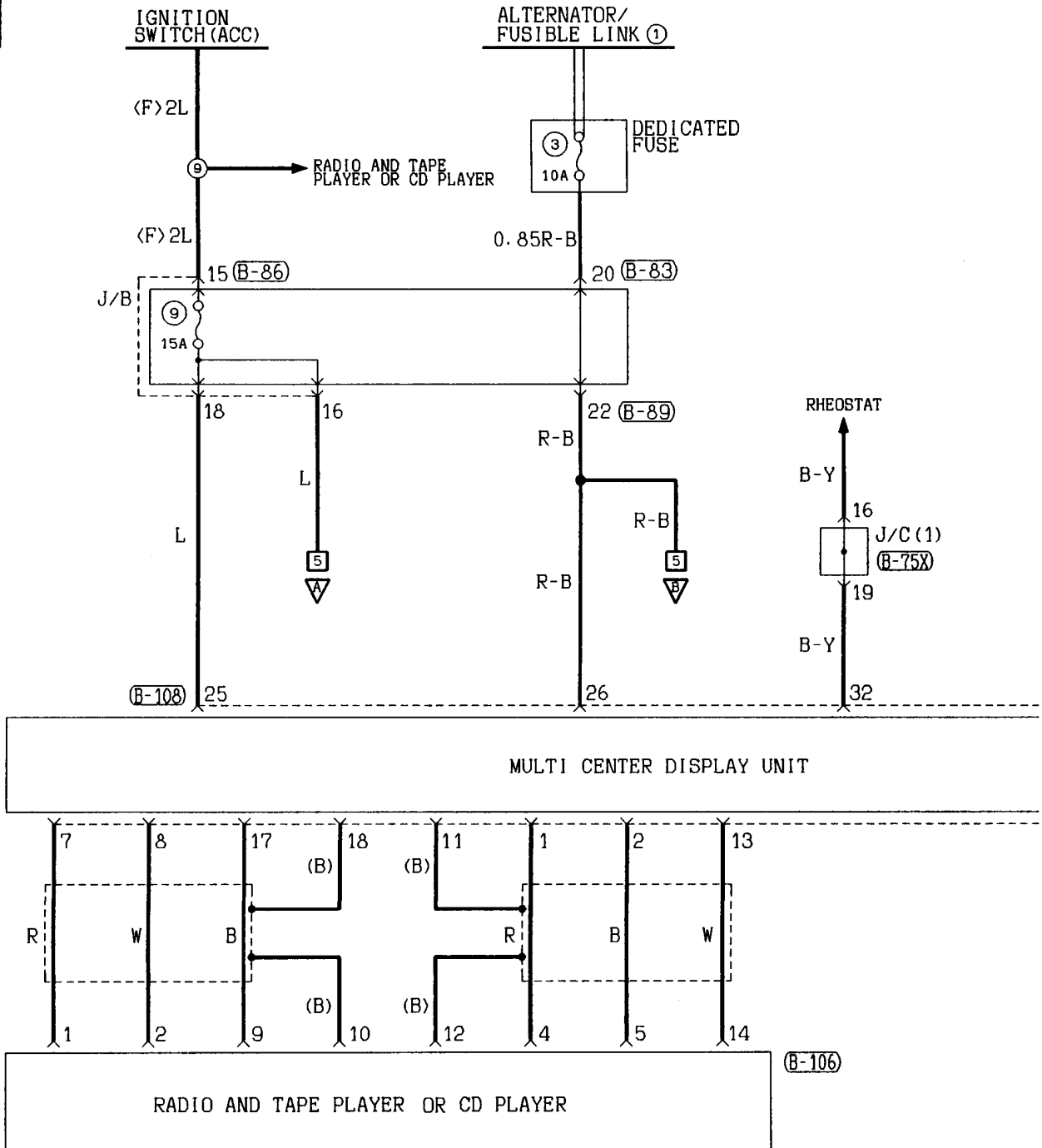
Wire colour code
 B : Black LG : Light green G : Green L : Blue W : White Y : Yellow SB : Sky blue
 BR : Brown O : Orange GR : Gray R : Red P : Pink V : Violet

NOTES

MULTI CENTER DISPLAY

Diesel-powered vehicles

1



(A-69)

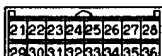
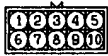
(B-06)

(B-07)

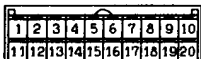
(B-50)

(B-75X)

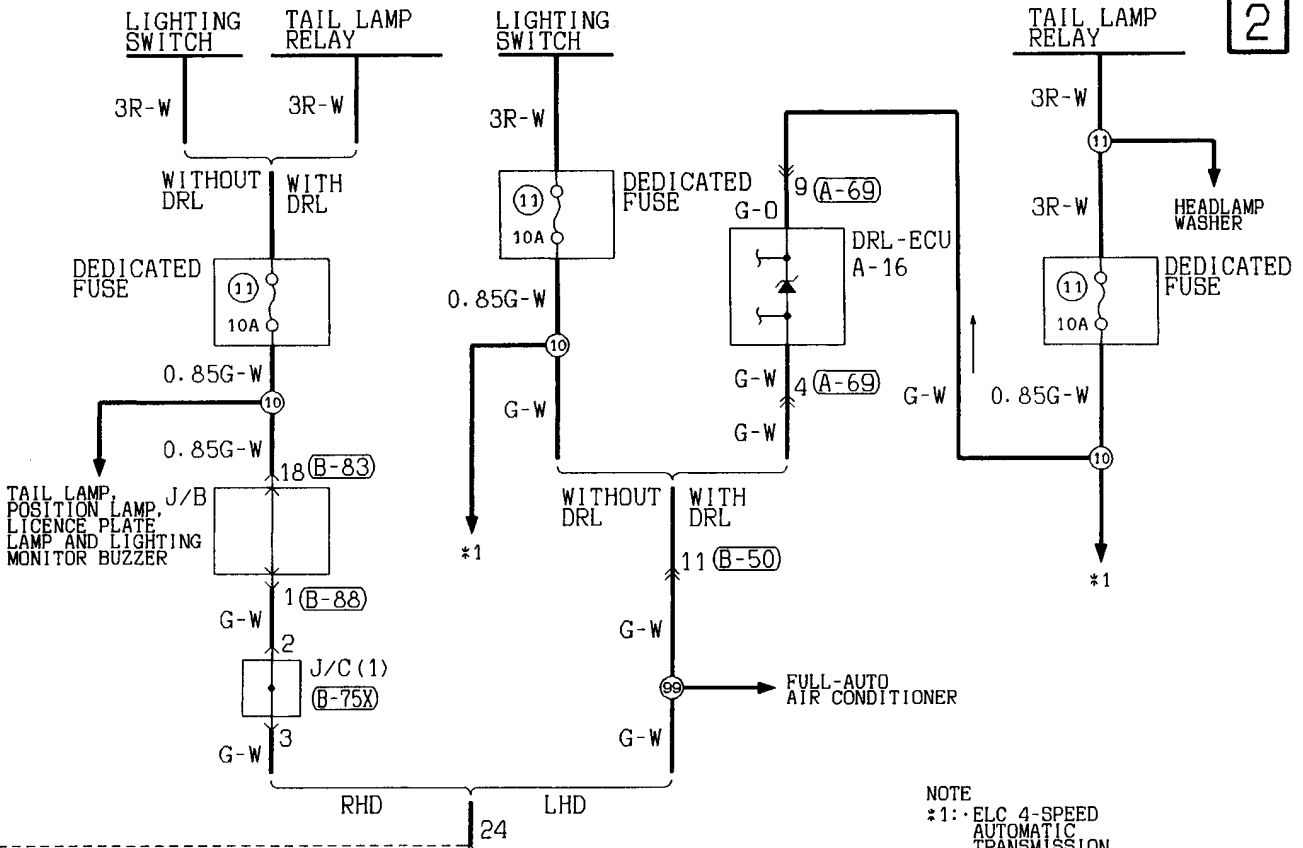
(B-83)



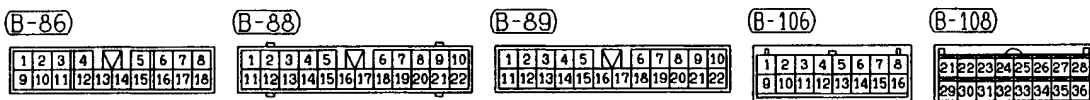
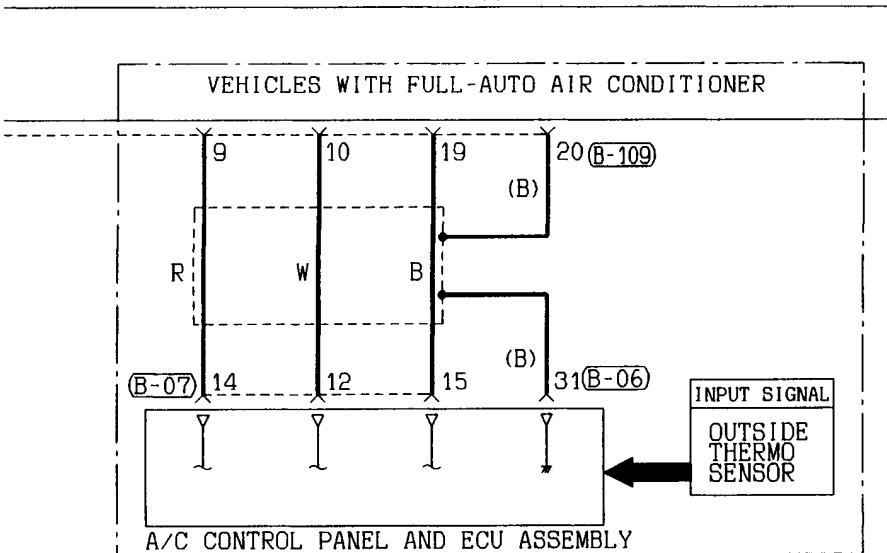
(B-109)



2



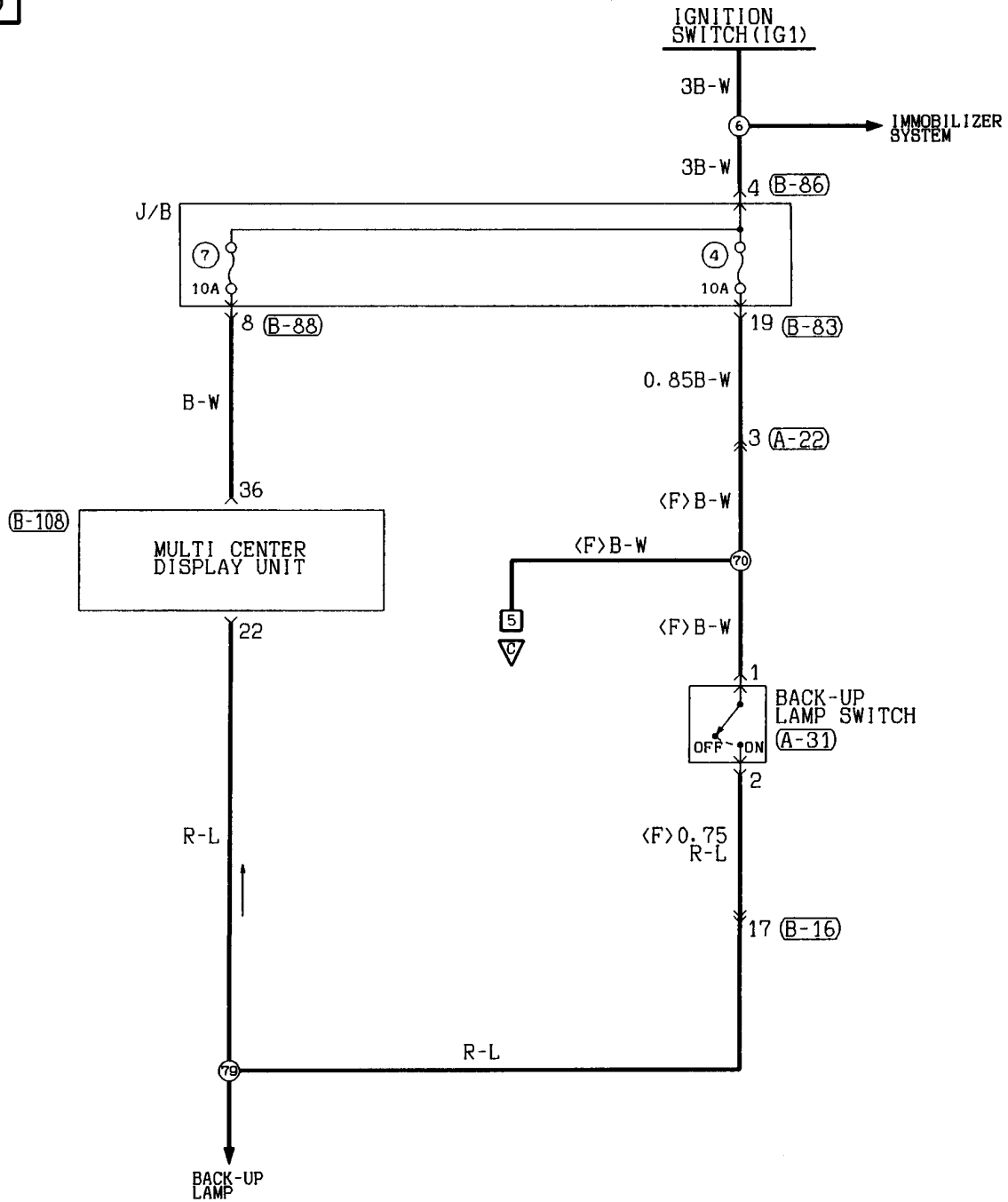
- NOTE
- *1: ELC 4-SPEED AUTOMATIC TRANSMISSION
 - FRONT FOG LAMP
 - GLOVE BOX LAMP
 - HEATED SEAT
 - HEATER
 - MANUAL AIR CONDITIONER
 - METER AND GAUGE
 - RADIO AND TAPE PLAYER OR CD PLAYER
 - REAR FOG LAMP
 - REMOTE CONTROLLED MIRROR
 - RHEOSTAT
 - TAIL LAMP, POSITION LAMP, LICENCE PLATE LAMP AND LIGHTING MONITOR BUZZER



Wire colour code
 B:Black LG:Light green G:Green L:Blue W:White Y:Yellow SB:Sky blue
 BR:Brown O:Orange GR:Gray R:Red P:Pink V:Violet

MULTI CENTER DISPLAY <Diesel-powered vehicles> (CONTINUED)

3



(A-22)

1	2	3
4	5	6



(A-35)

1
2

(B-16)

1	2	3	4	5	6	7	8	9		
10	11	12	13	14	15	16	17	18	19	20

(B-50)

1	2	3	4	5	6	7	8	9	10		
11	12	13	14	15	16	17	18	19	20	21	22

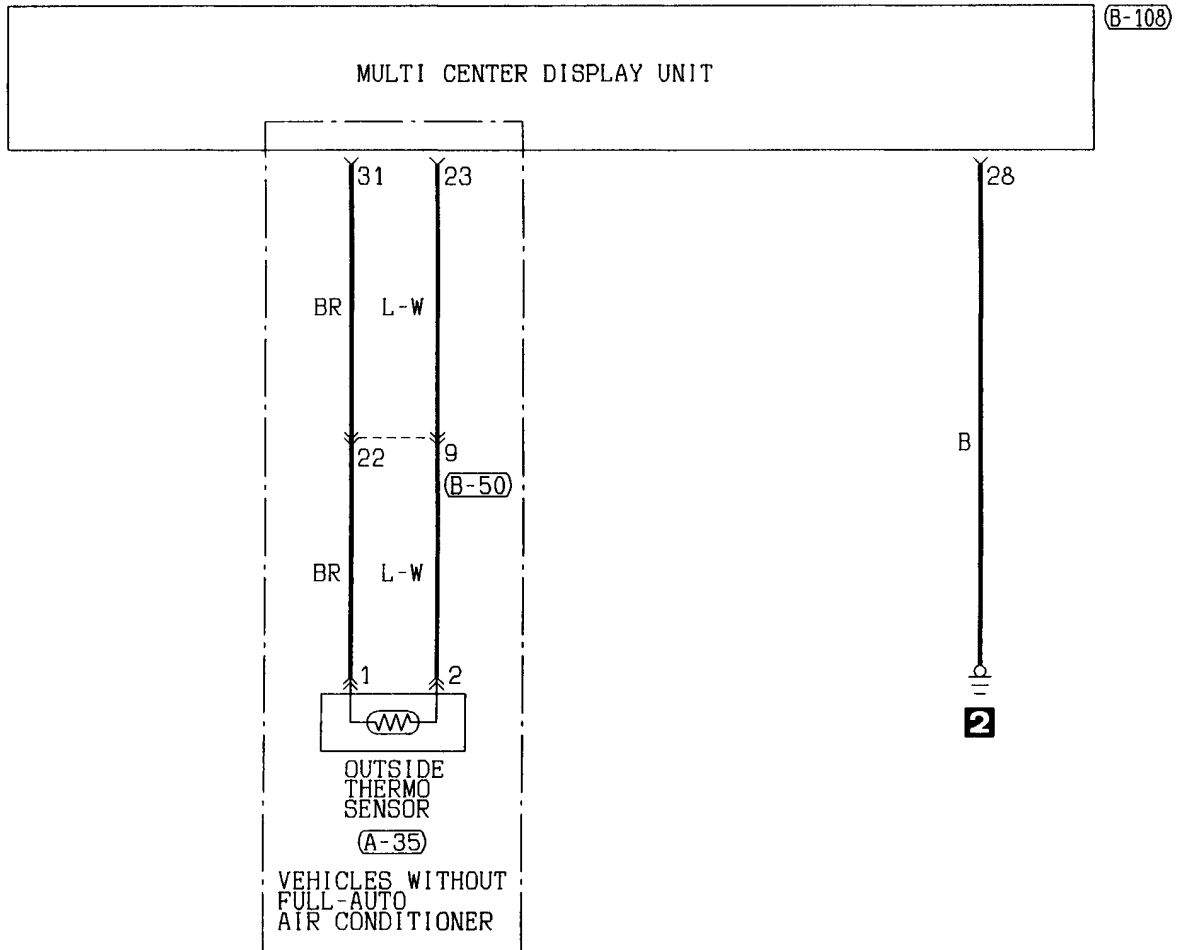
(B-83)

1	2	3	4	5	6	7	8	9		
10	11	12	13	14	15	16	17	18	19	20

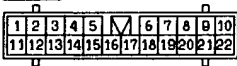
(B-86)

1	2	3	4	5	6	7	8		
9	10	11	12	13	14	15	16	17	18

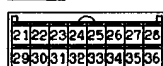
4



(B-88)



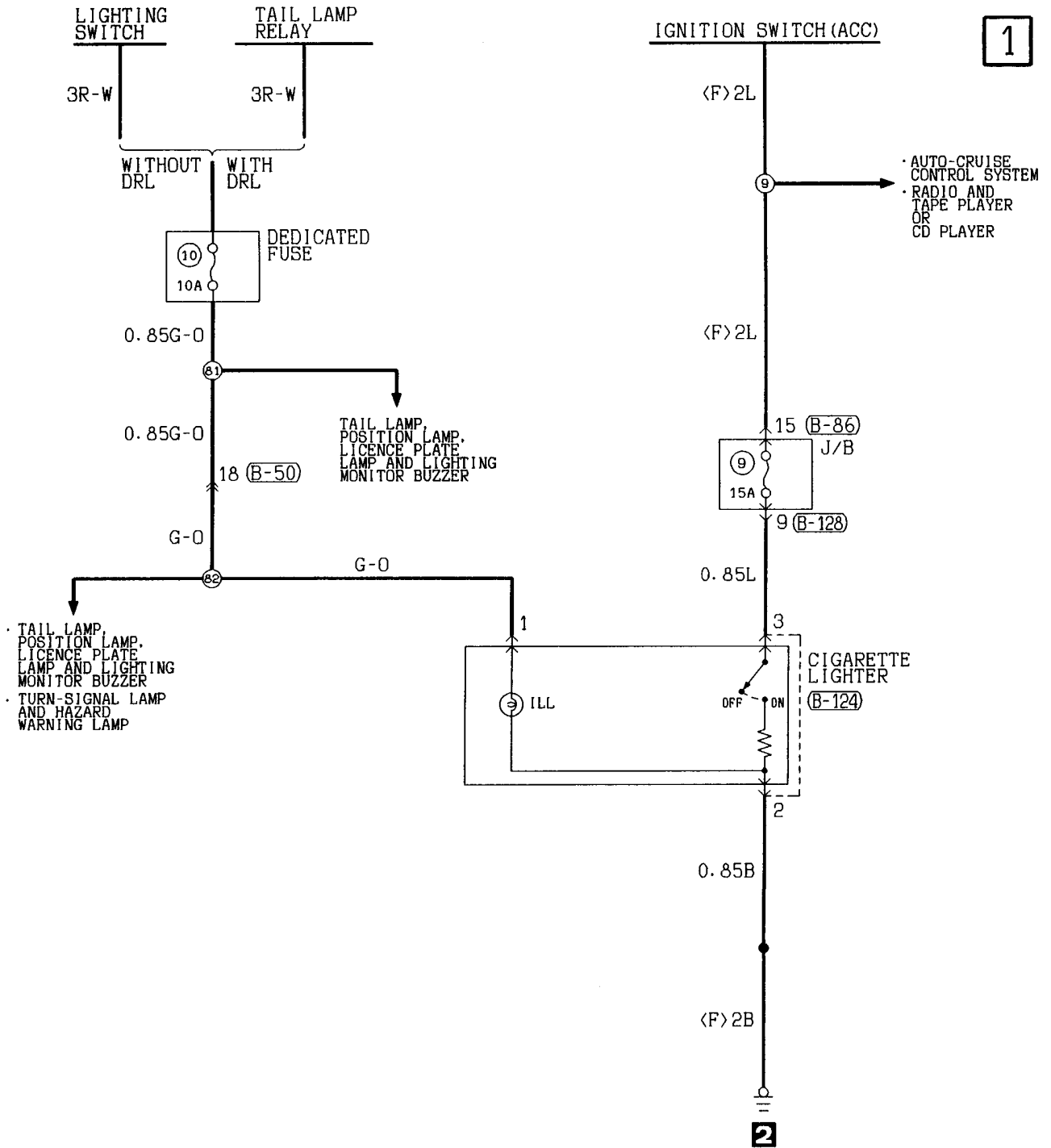
(B-108)



Wire colour code

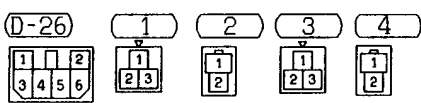
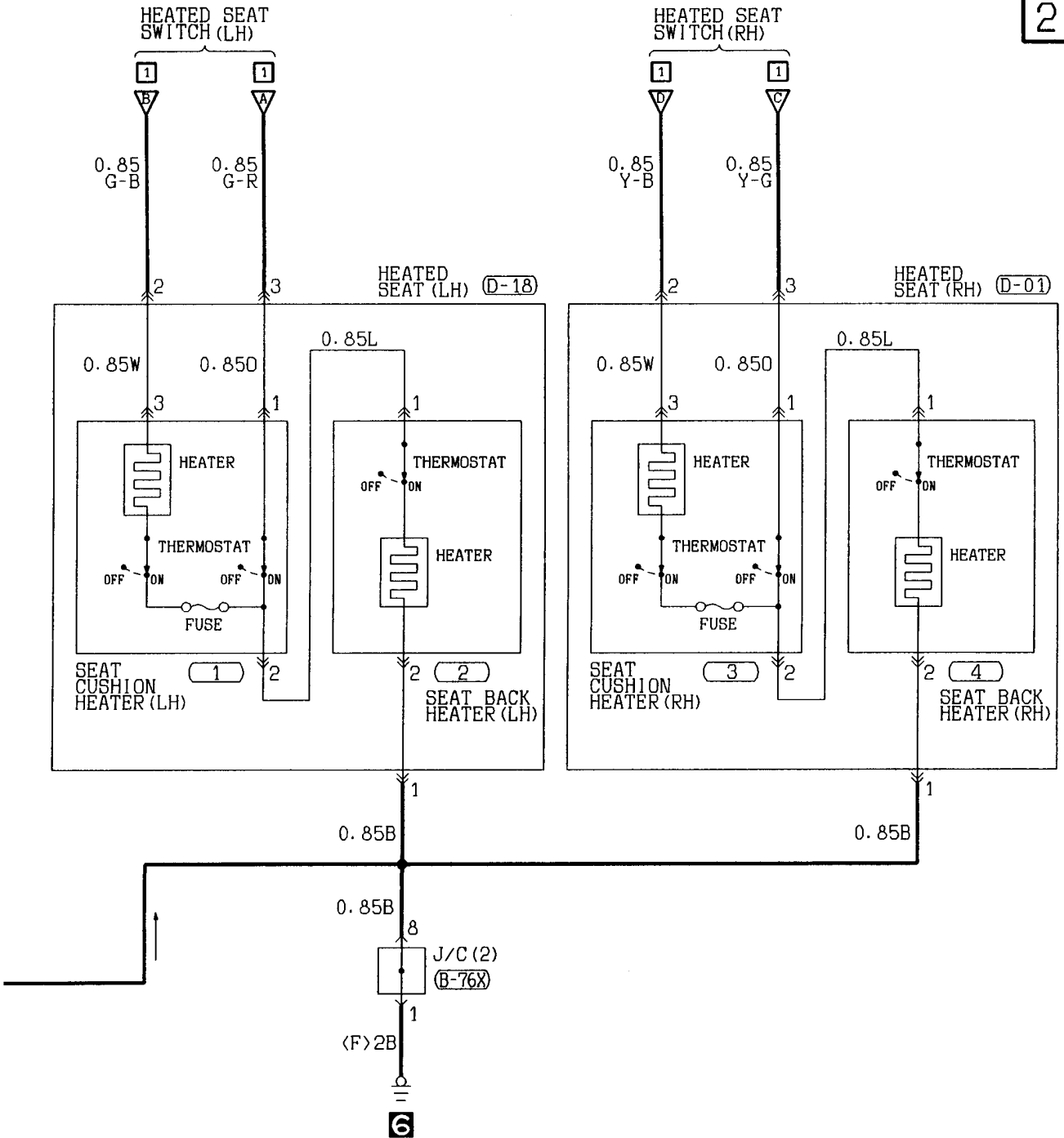
B : Black LG : Light green G : Green L : Blue W : White Y : Yellow SB : Sky blue
 BR : Brown O : Orange GR : Gray R : Red P : Pink V : Violet

CIGARETTE LIGHTER



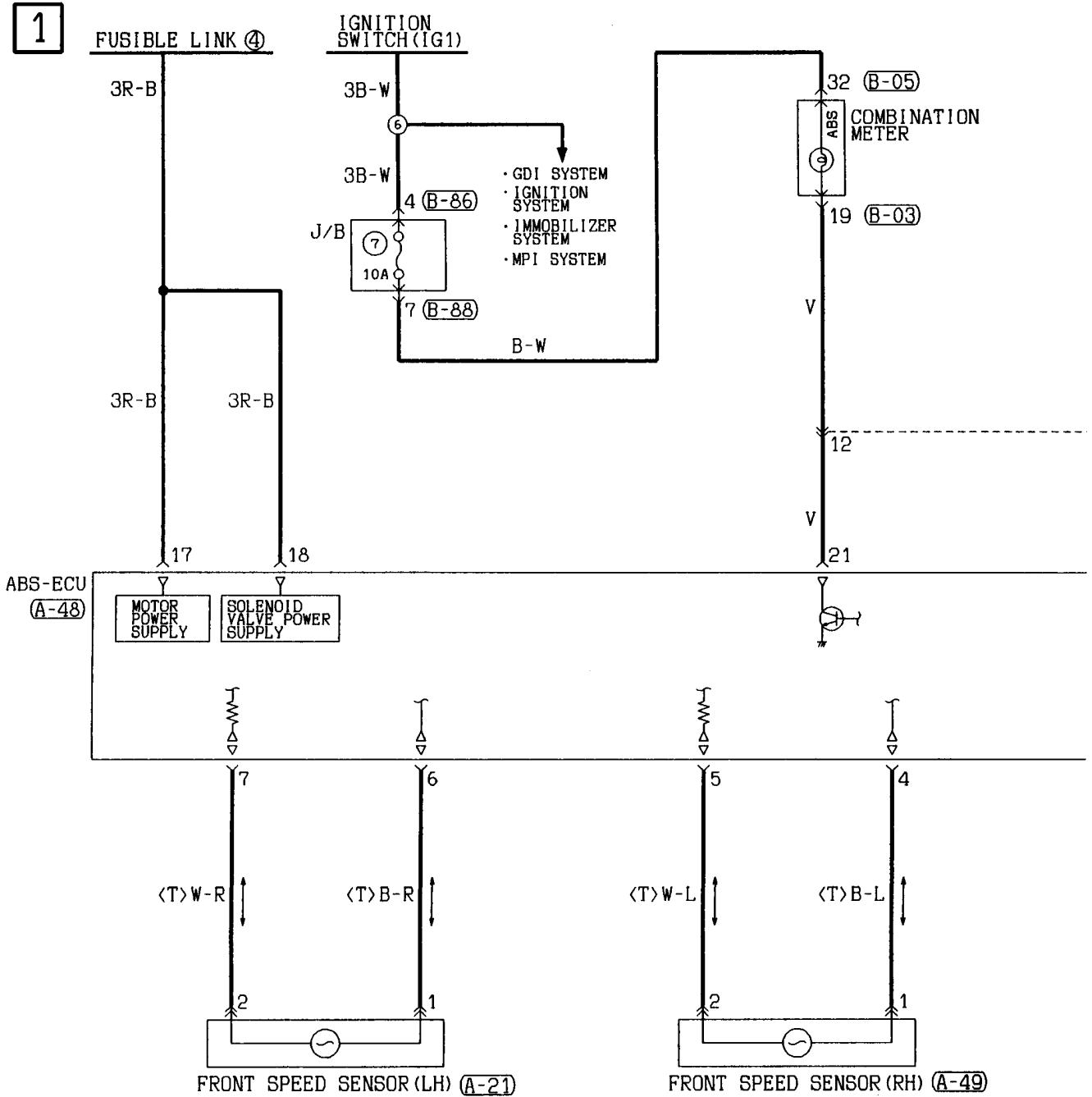
Wire colour code
 B : Black LG:Light green G :Green L :Blue W :White Y :Yellow SB:Sky blue
 BR:Brown O :Orange GR:Gray R :Red P :Pink V :Violet

2

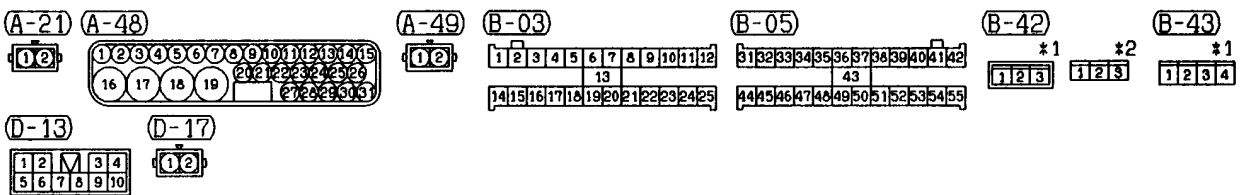


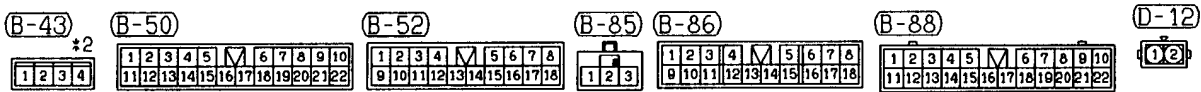
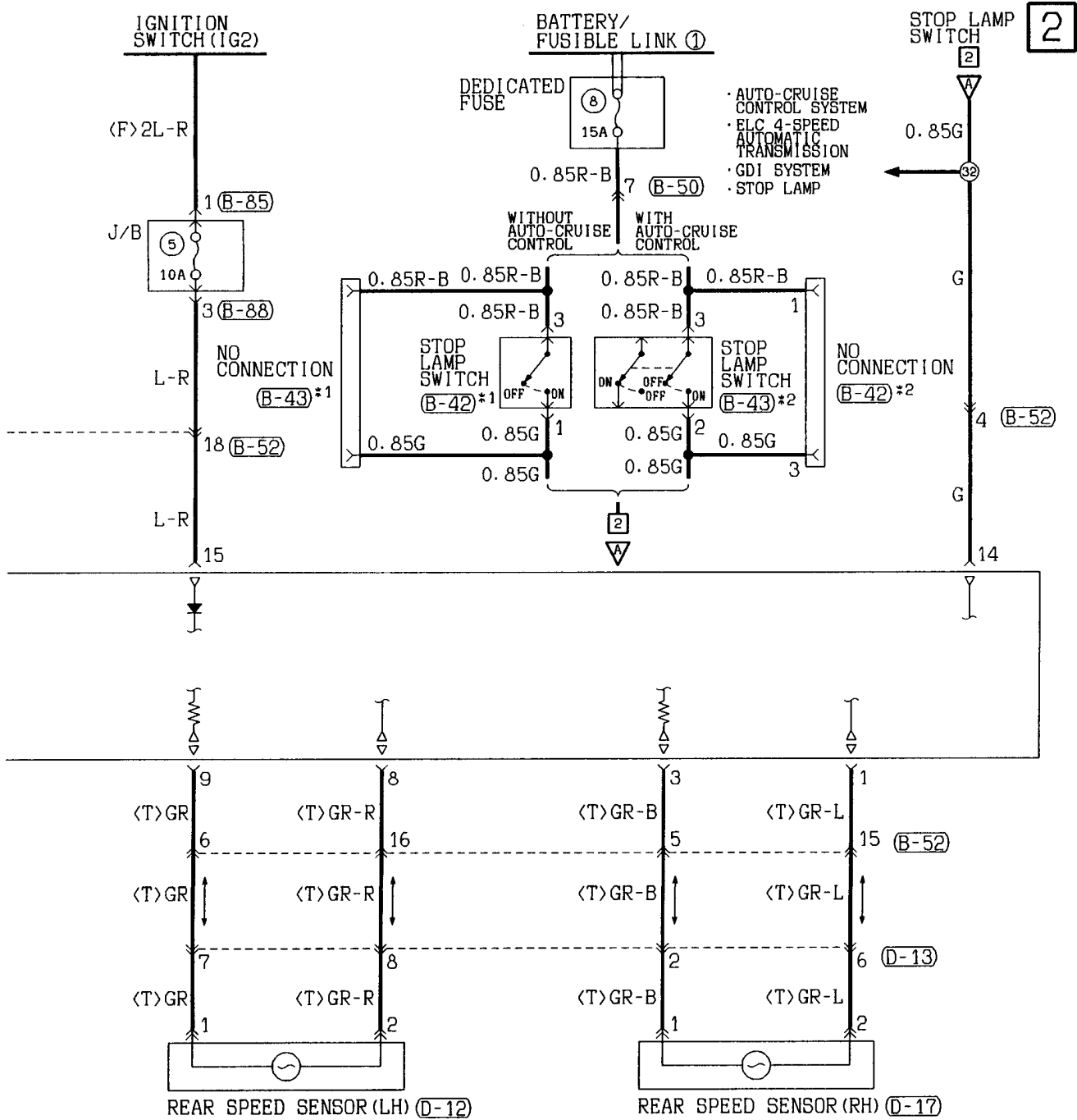
Wire colour code
 B : Black LG : Light green G : Green L : Blue W : White Y : Yellow SB : Sky blue
 BR : Brown O : Orange GR : Gray R : Red P : Pink V : Violet

ANTI-LOCK BRAKING SYSTEM (ABS) <Vehicles without TCL>



NOTE
 *1: VEHICLES WITHOUT AUTO-CRUISE CONTROL SYSTEM.
 *2: VEHICLES WITH AUTO-CRUISE CONTROL SYSTEM.

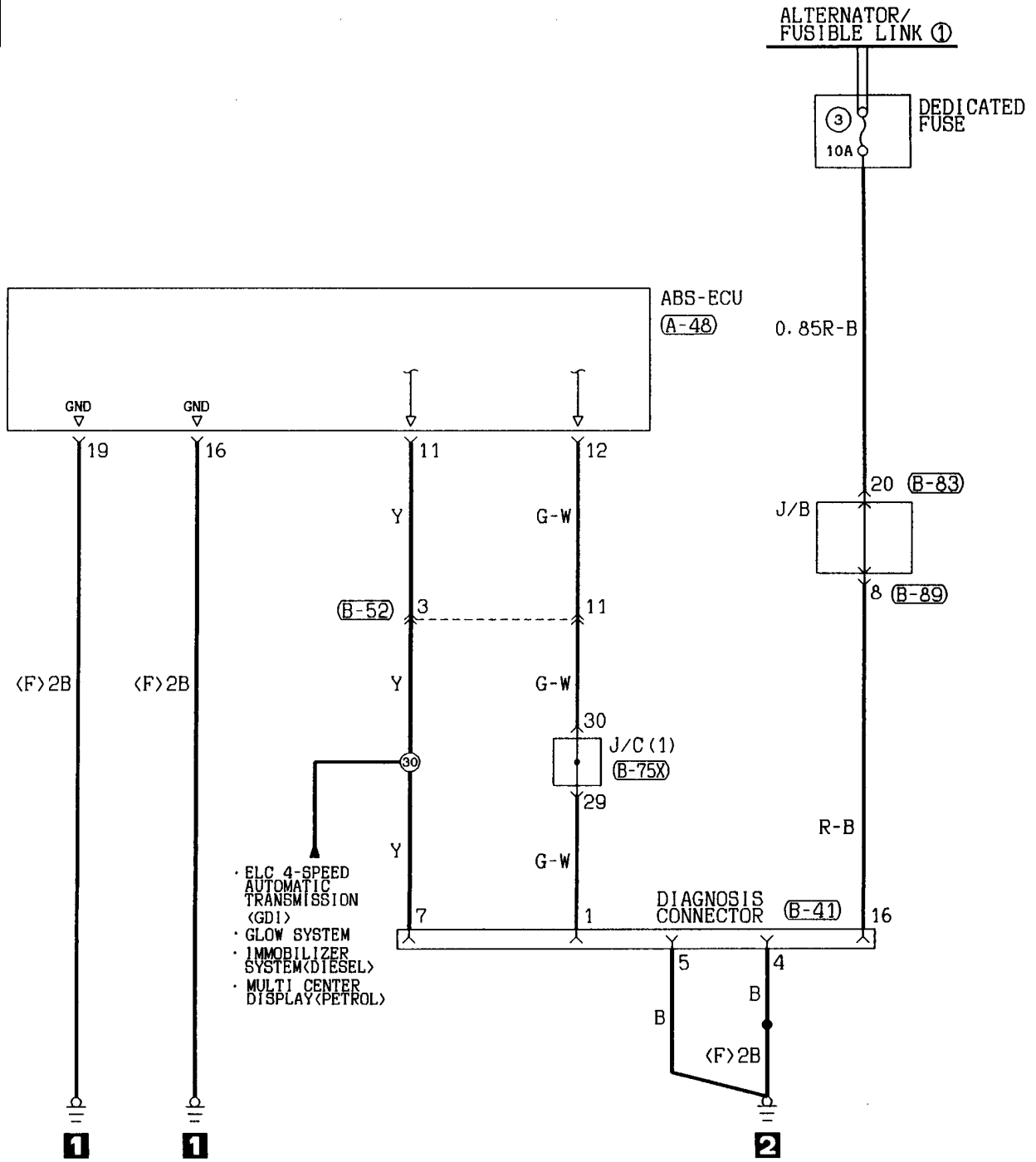




Wire colour code
 B : Black LG : Light green G : Green L : Blue W : White Y : Yellow SB : Sky blue
 BR : Brown O : Orange GR : Gray R : Red P : Pink V : Violet

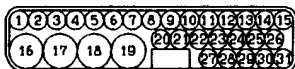
ANTI-LOCK BRAKING SYSTEM (ABS) <Vehicles without TCL> (CONTINUED)

3

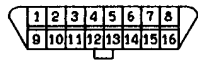


- ELC 4-SPEED AUTOMATIC TRANSMISSION <GD1>
- GLOW SYSTEM
- IMMOBILIZER SYSTEM <DIESEL>
- MULTI CENTER DISPLAY <PETROL>

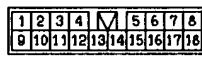
(A-48)



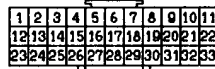
(B-41) FRONT SIDE



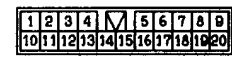
(B-52)



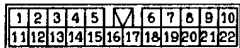
(B-75X)



(B-83)



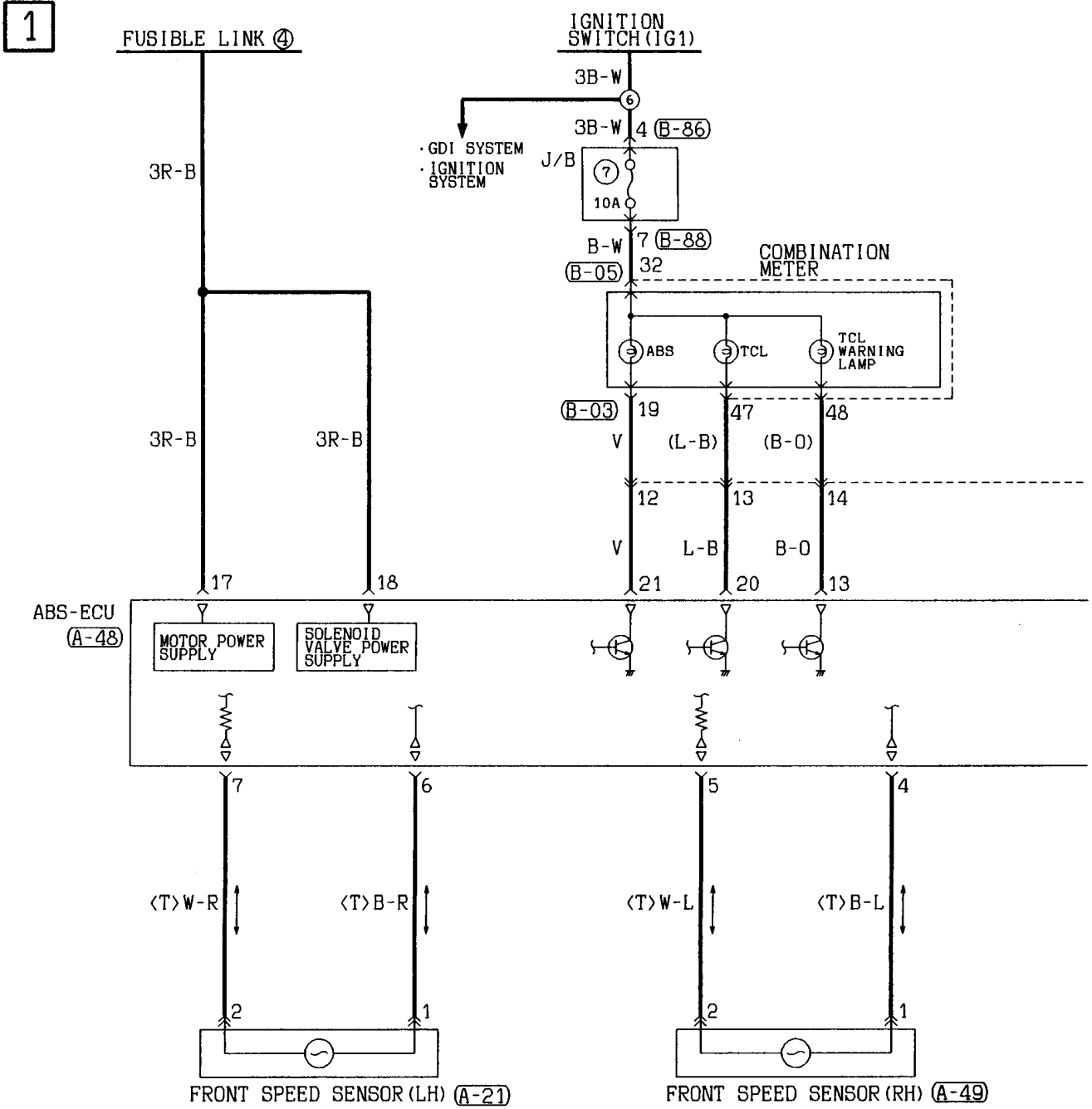
(B-89)



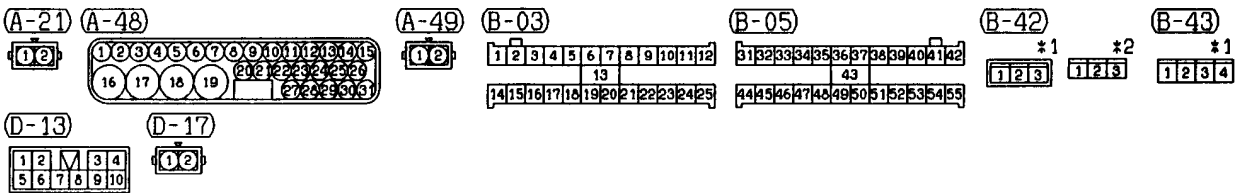
Wire colour code
 B : Black LG : Light green G : Green L : Blue
 BR : Brown O : Orange GR : Gray R : Red
 W : White SB : Sky blue P : Pink Y : Yellow
 V : Violet

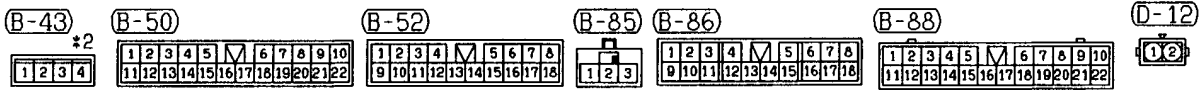
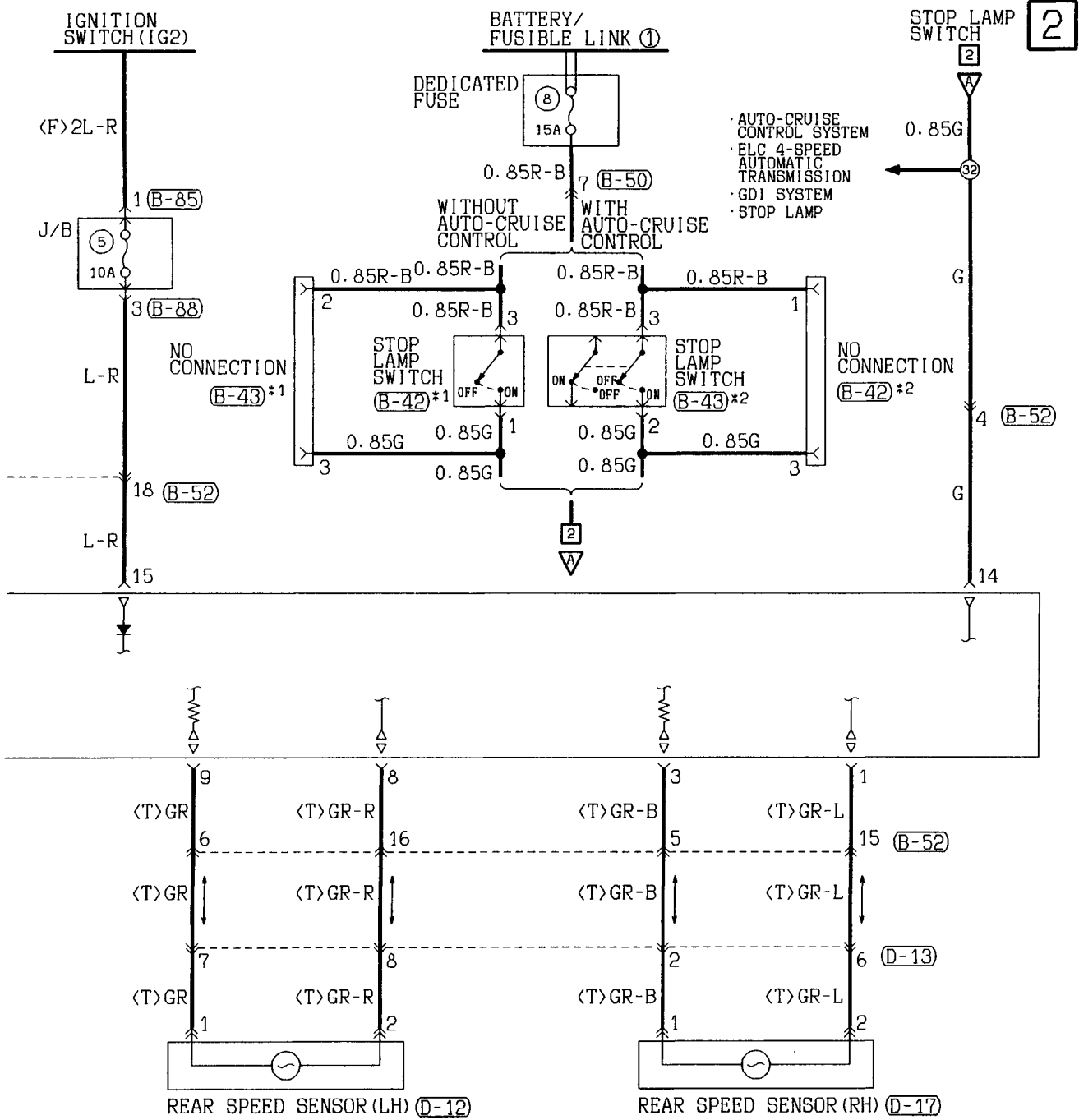
NOTES

ANTI-LOCK BRAKING SYSTEM, TRACTION CONTROL SYSTEM (BTCL)



NOTE
 *1: VEHICLES WITHOUT AUTO-CRUISE CONTROL SYSTEM.
 *2: VEHICLES WITH AUTO-CRUISE CONTROL SYSTEM.

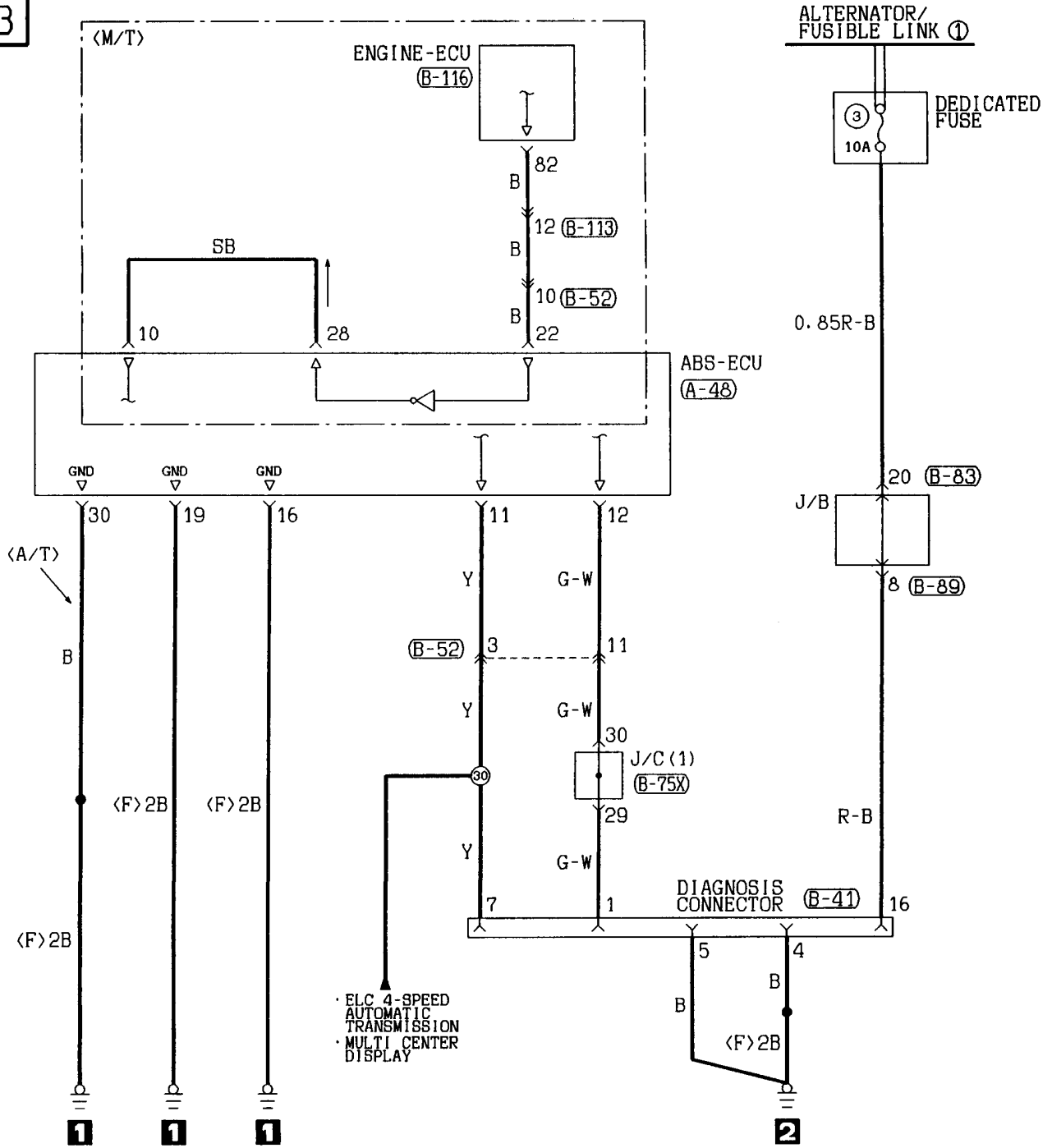




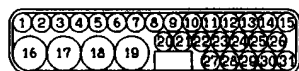
Wire colour code
 B:Black LG:Light green G:Green L:Blue W:White Y:Yellow SB:Sky blue
 BR:Brown O:Orange GR:Gray R:Red P:Pink V:Violet

ANTI-LOCK BRAKING SYSTEM, TRACTION CONTROL SYSTEM (BTCL)
(CONTINUED)

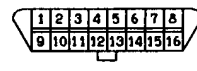
3



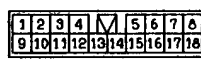
(A-48)



(B-41) FRONT SIDE



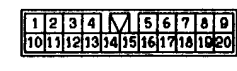
(B-52)



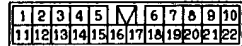
(B-75X)



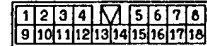
(B-83)



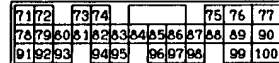
(B-89)



(B-113)

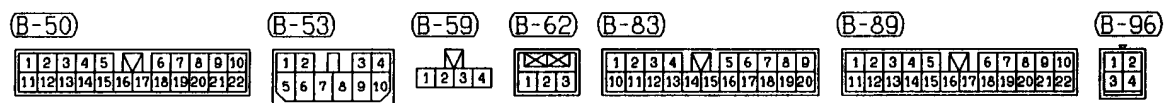
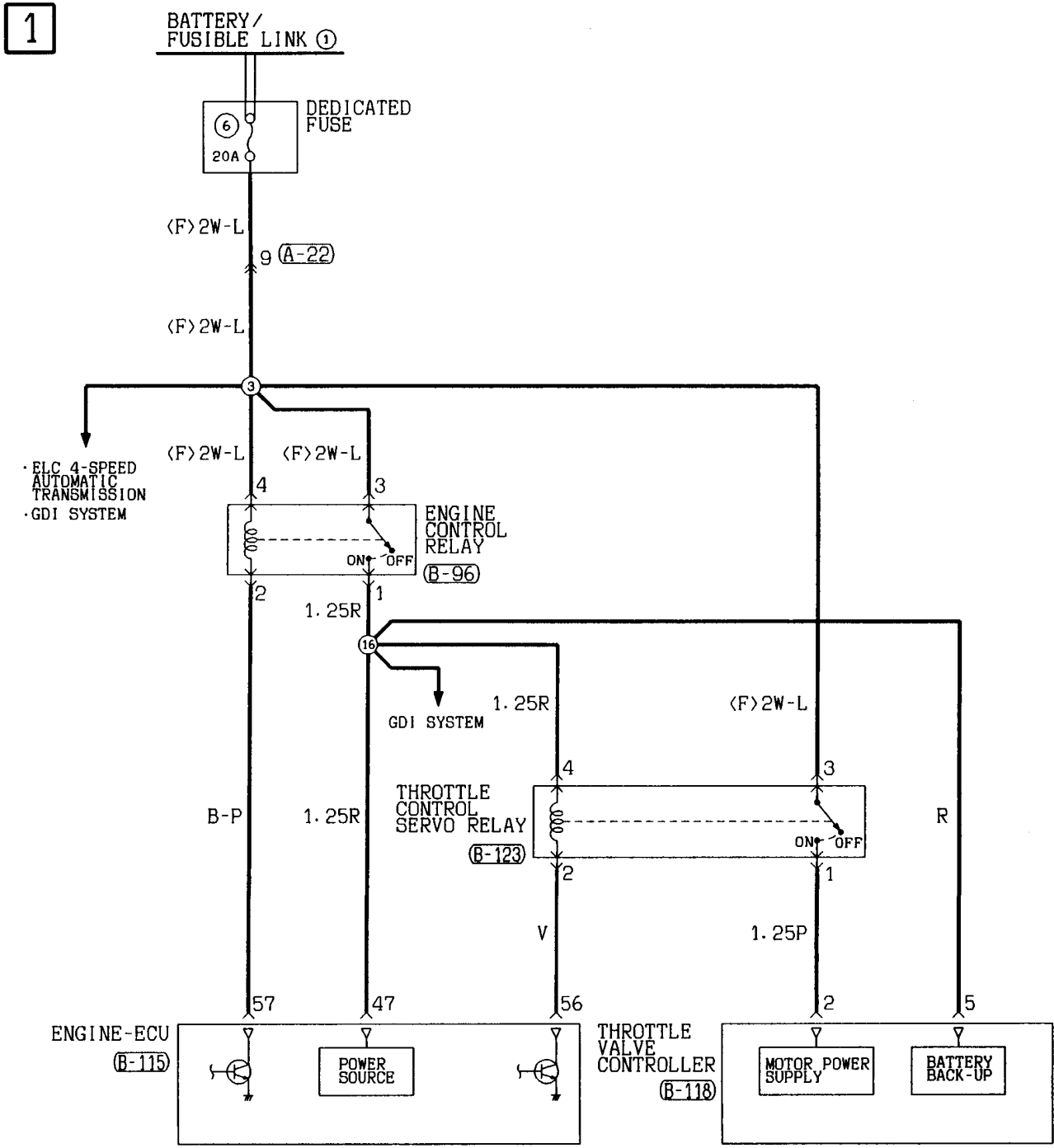


(B-116)

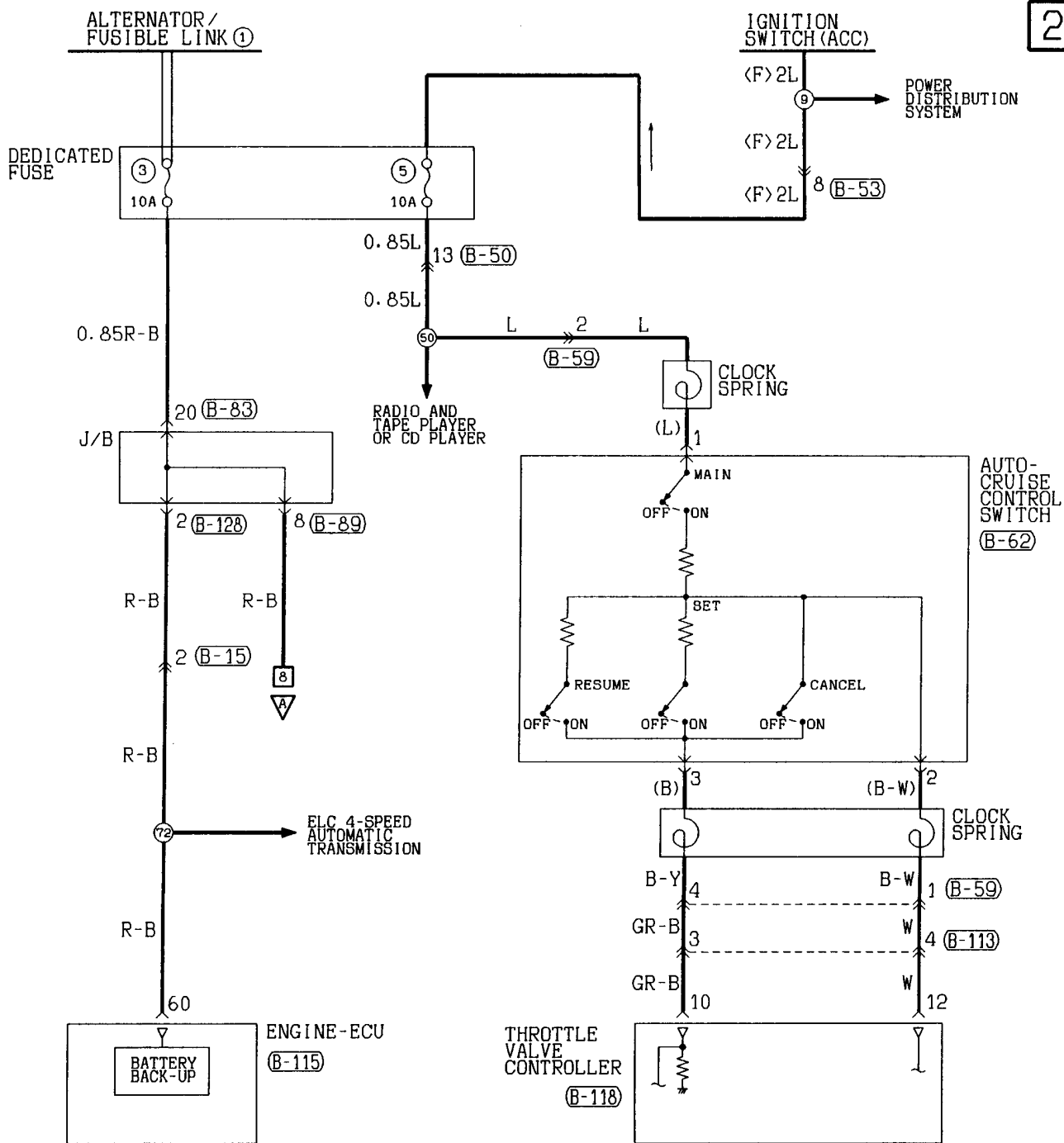


NOTES

AUTO-CRUISE CONTROL SYSTEM



2



(B-113)

1	2	3	4	M	5	6	7	8	
9	10	11	12	13	14	15	16	17	18

(B-115)

41	42	43	44	45	46	47					
48	49	50	51	52	53	54	55	56	57	58	59
60	61	62	63	64	65	66	67	68			

(B-118)

1	2	3	4	5	6	7	8	9	10	11	12	13
14	15	16	17	18	19	20	21	22	23	24	25	26

(B-123)

1	2
3	4

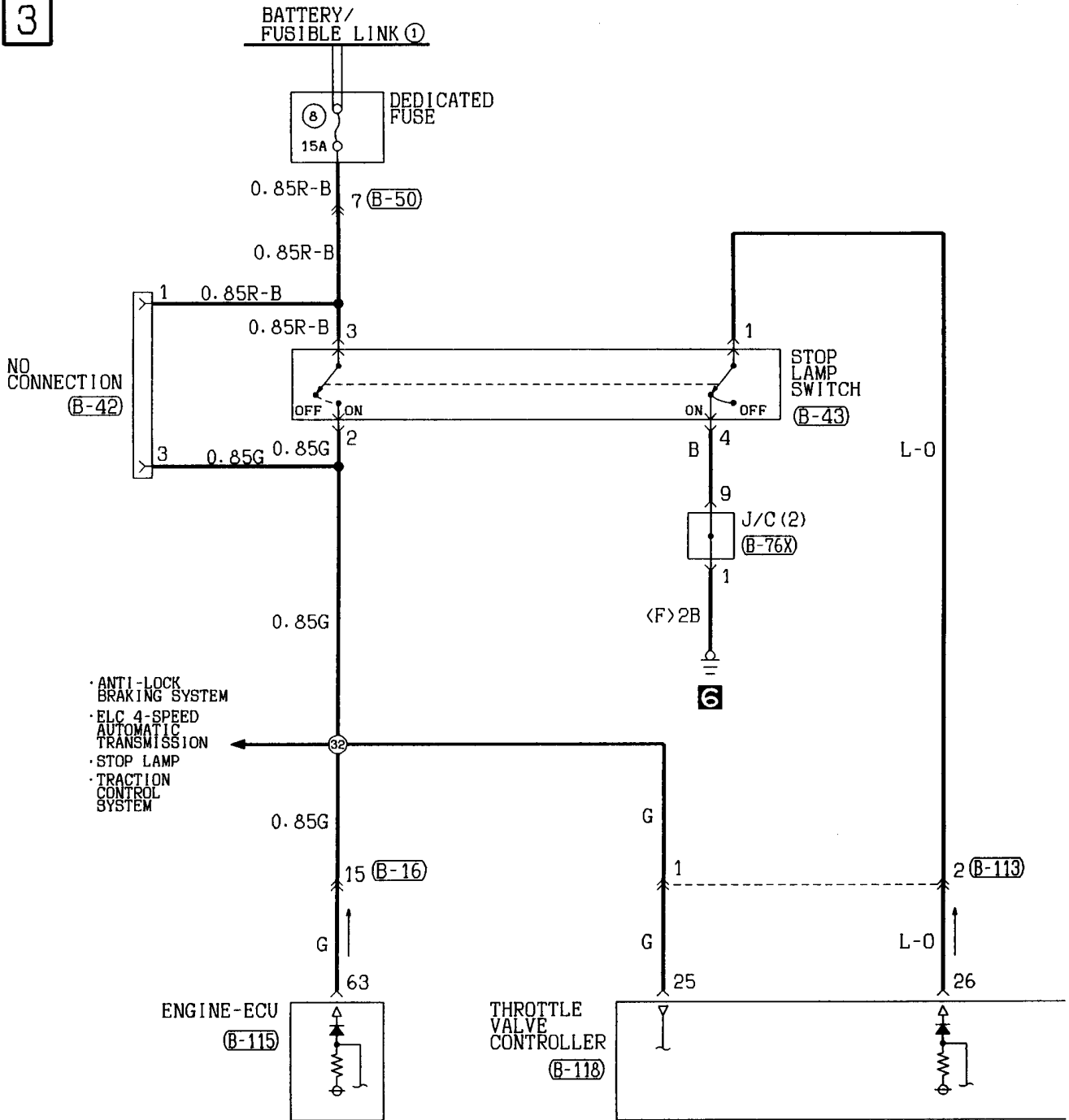
(B-128)

1	2	3	4	M	5	6	7	8	
9	10	11	12	13	14	15	16	17	18

Wire colour code
 B:Black LG:Light green G:Green L:Blue W:White Y:Yellow SB:Sky blue
 BR:Brown O:Orange GR:Gray R:Red P:Pink V:Violet

AUTO-CRUISE CONTROL SYSTEM (CONTINUED)

3



- ANTI-LOCK BRAKING SYSTEM
- ELC 4-SPEED AUTOMATIC TRANSMISSION
- STOP LAMP
- TRACTION CONTROL SYSTEM

(A-22)

1	2	3	4	5
6	7	8	9	10

(B-05)

31	32	33	34	35	36	37	38	39	40	41	42
43											
44	45	46	47	48	49	50	51	52	53	54	55

(B-16)

1	2	3	4	5	6	7	8	9		
10	11	12	13	14	15	16	17	18	19	20

(B-42)

1	2	3
---	---	---

(B-43)

1	2	3	4
---	---	---	---

(B-50)

1	2	3	4	5	6	7	8	9	10		
11	12	13	14	15	16	17	18	19	20	21	22

(B-76X)

1	2	3	4	5	6	7	8	9	10	11
12	13	14	15	16	17	18	19	20	21	22
23	24	25	26	27	28	29	30	31	32	33

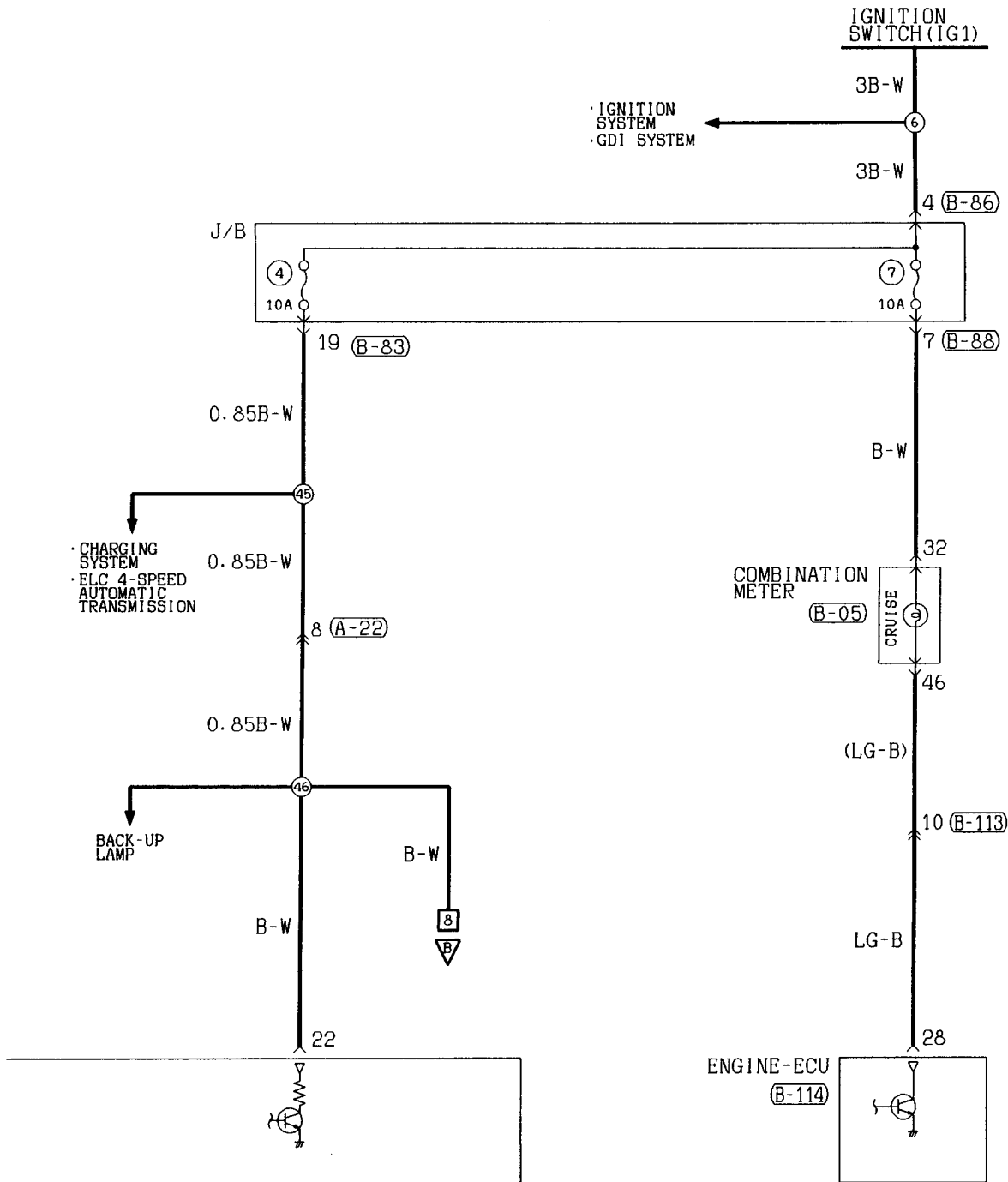
(B-115)

41	42	43	44	45	46	47					
48	49	50	51	52	53	54	55	56	57	58	59
60	61	62	63	64	65	66	67	68			

(B-118)

1	2	3	4	5	6	7	8	9	10	11	12	13
14	15	16	17	18	19	20	21	22	23	24	25	26

4



(B-83)

1	2	3	4	5	6	7	8	9		
10	11	12	13	14	15	16	17	18	19	20

(B-86)

1	2	3	4	5	6	7	8		
9	10	11	12	13	14	15	16	17	18

(B-88)

1	2	3	4	5	6	7	8	9	10		
11	12	13	14	15	16	17	18	19	20	21	22

(B-113)

1	2	3	4	5	6	7	8		
9	10	11	12	13	14	15	16	17	18

(B-114)

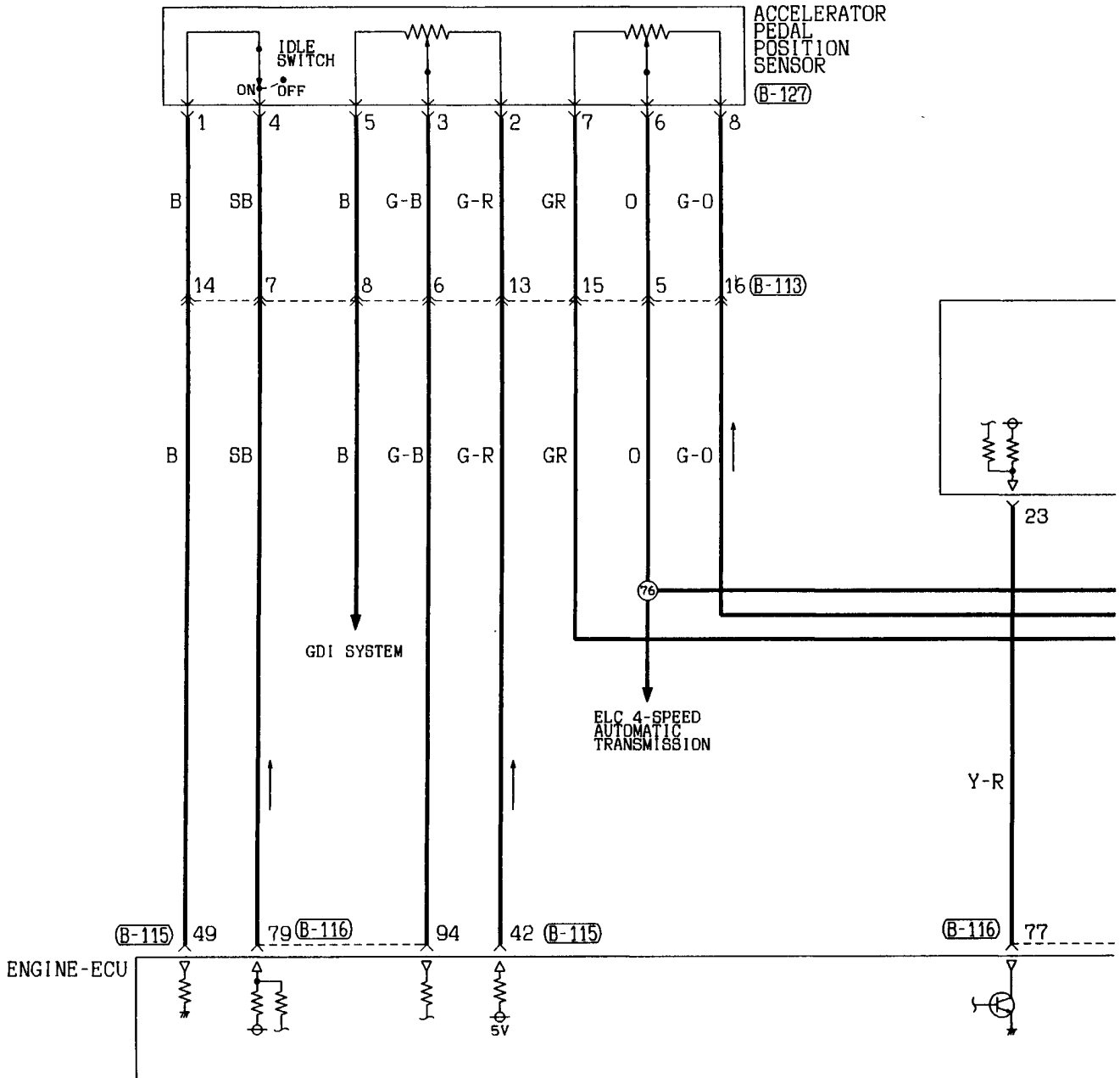
1	2	3	4	5	6	7	8							
9	10	11	12	13	14	15	16	17	18	19	20	21	22	23
24	25	26	27	28	29	30	31	32	33	34	35			

Wire colour code

B : Black LG : Light green G : Green L : Blue W : White Y : Yellow SB : Sky blue
 BR : Brown O : Orange GR : Gray R : Red P : Pink V : Violet

AUTO-CRUISE CONTROL SYSTEM (CONTINUED)

5



(A-56)

(A-129)

(B-113)

(B-115)

(B-116)

(B-118)

1	2	3	4
---	---	---	---

1	2	3	4
---	---	---	---

1	2	3	4	5	6	7	8		
9	10	11	12	13	14	15	16	17	18

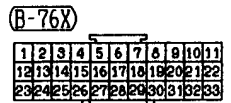
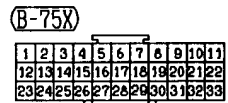
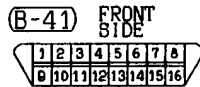
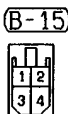
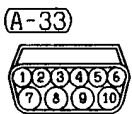
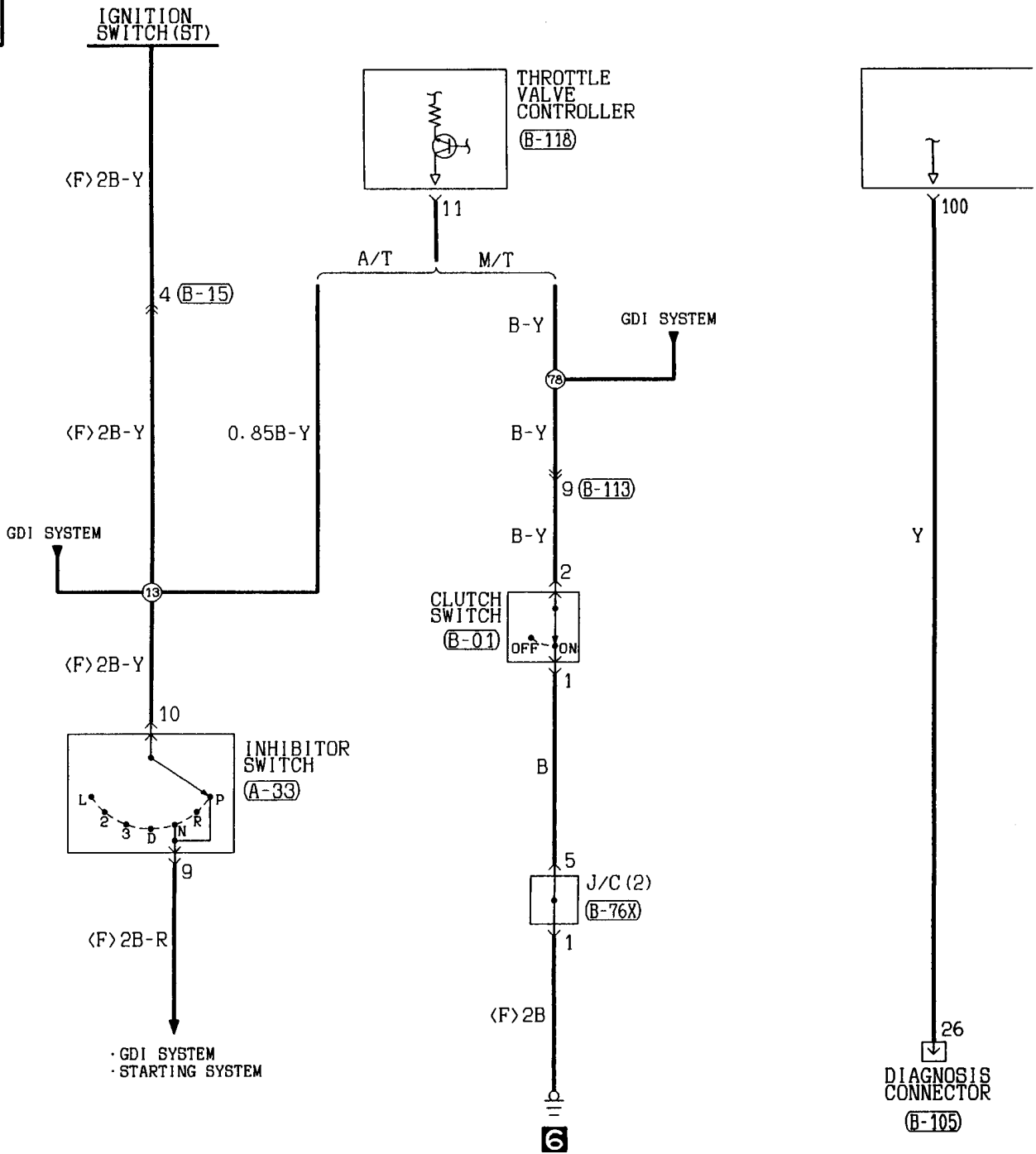
41	42	43	44	45	46	47					
48	49	50	51	52	53	54	55	56	57	58	59
60	61	62	63	64	65	66	67	68			

71	72	73	74	75	76	77						
78	79	80	81	82	83	84	85	86	87	88	89	90
91	92	93	94	95	96	97	98	99	100			

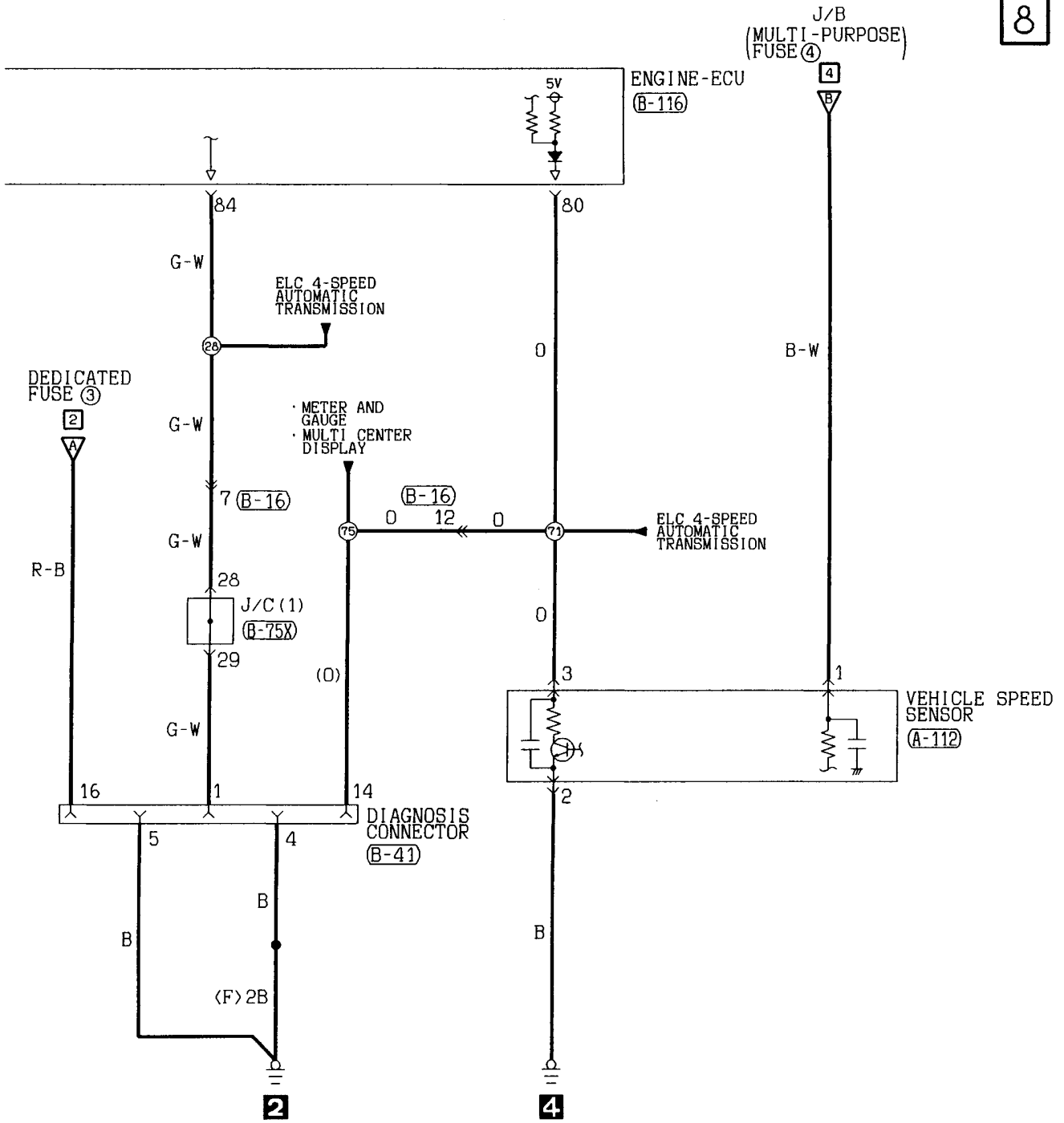
1	2	3	4	5	6	7	8	9	10	11	12	13
14	15	16	17	18	19	20	21	22	23	24	25	26

AUTO-CRUISE CONTROL SYSTEM (CONTINUED)

7



8



(B-105) FRONT SIDE

25	24	23	22	21		
32	31	30	29	28	27	26

(B-113)

1	2	3	4	5	6	7	8		
9	10	11	12	13	14	15	16	17	18

(B-116)

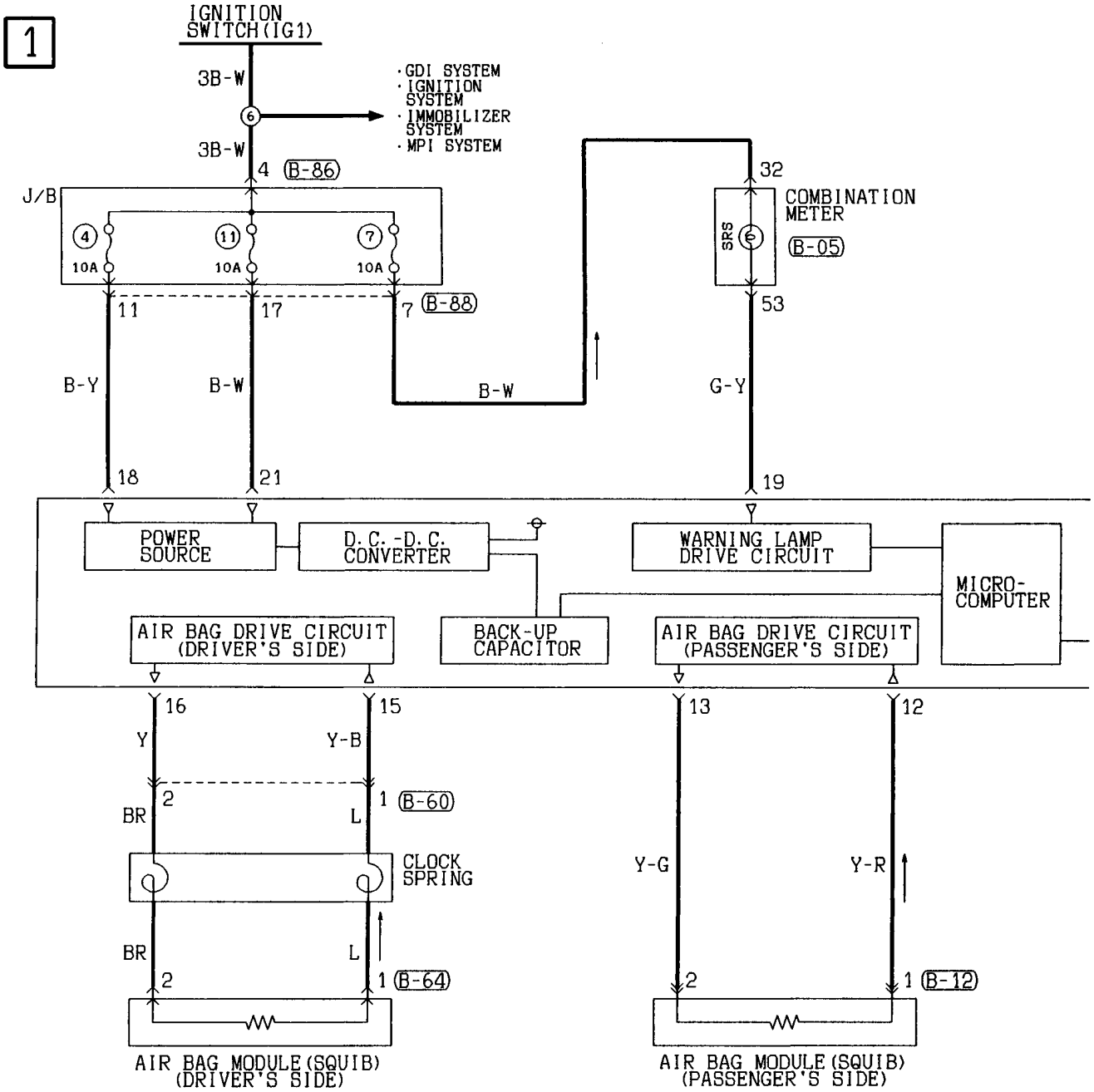
71	72	73	74	75	76	77						
78	79	80	81	82	83	84	85	86	87	88	89	90
91	92	93	94	95	96	97	98	99	100			

(B-118)

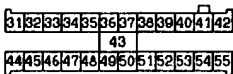
1	2	3	4	5	6	7	8	9	10	11	12	13
14	15	16	17	18	19	20	21	22	23	24	25	26

Wire colour code
 B : Black LG : Light green G : Green L : Blue W : White Y : Yellow SB : Sky blue
 BR : Brown O : Orange GR : Gray R : Red P : Pink V : Violet

SUPPLEMENTAL RESTRAINT SYSTEM (SRS)



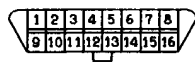
(B-05)



(B-12)



(B-41) FRONT SIDE



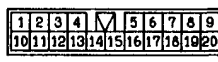
(B-60)



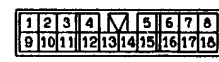
(B-64)

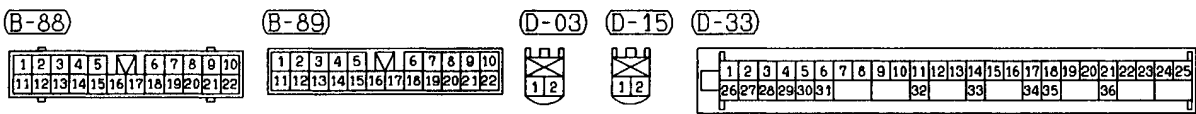
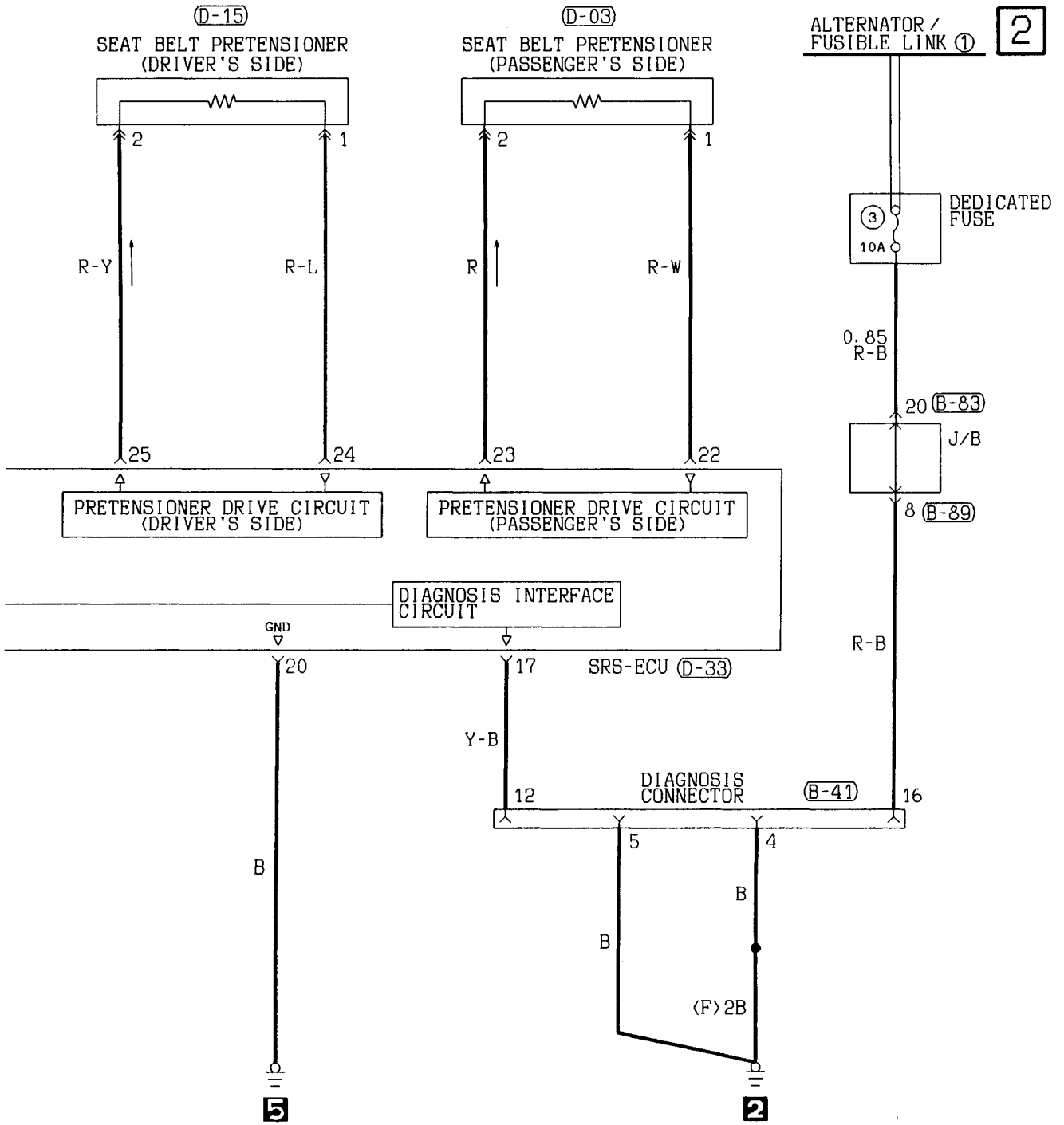


(B-83)



(B-86)

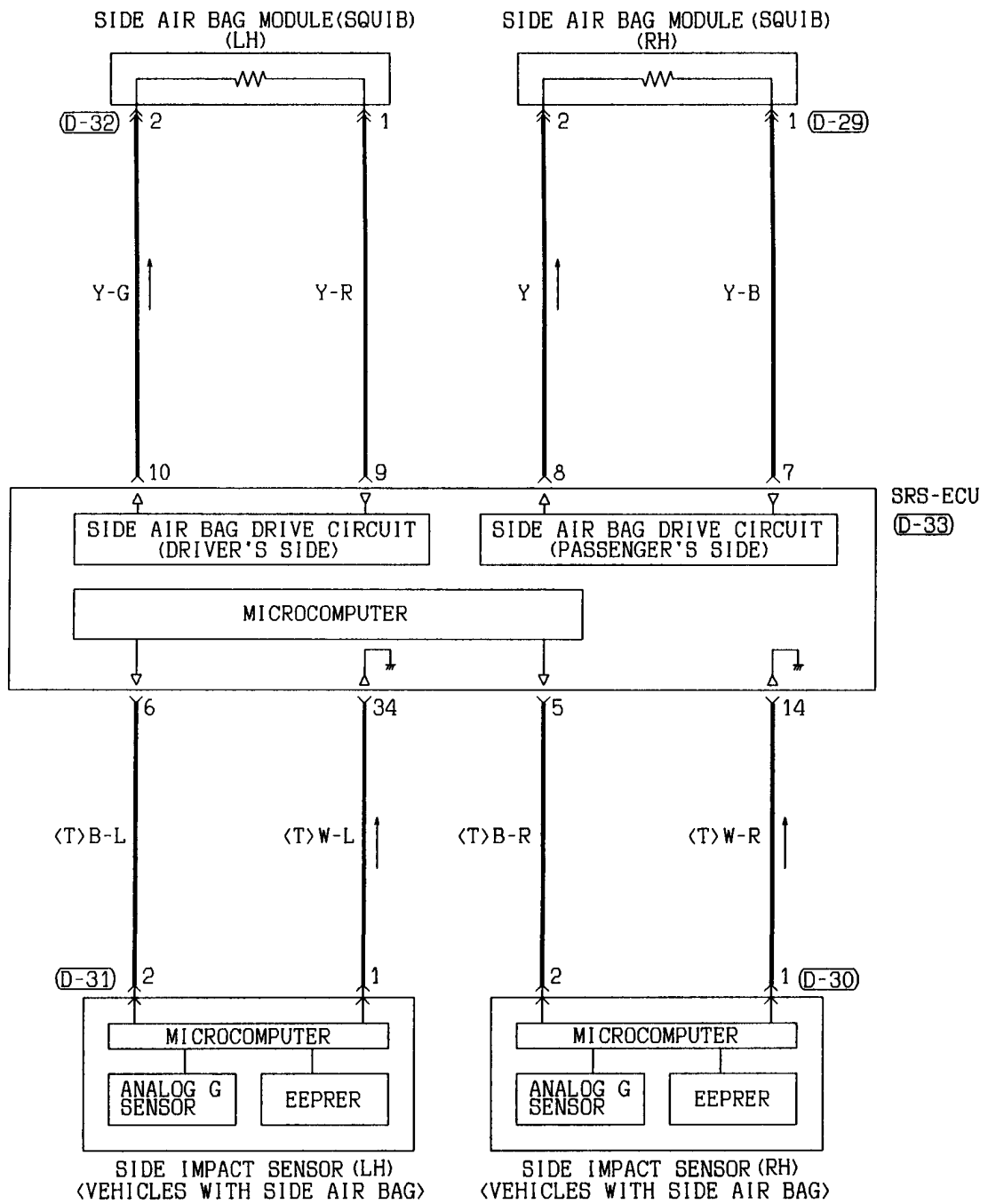




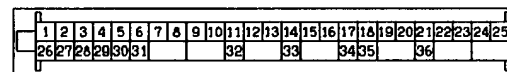
Wire colour code
 B : Black LG : Light green G : Green L : Blue W : White Y : Yellow SB : Sky blue
 BR : Brown O : Orange GR : Gray R : Red P : Pink V : Violet

SUPPLEMENTAL RESTRAINT SYSTEM (SRS) (CONTINUED)

3



(D-29) (D-30) (D-31) (D-32) (D-33)



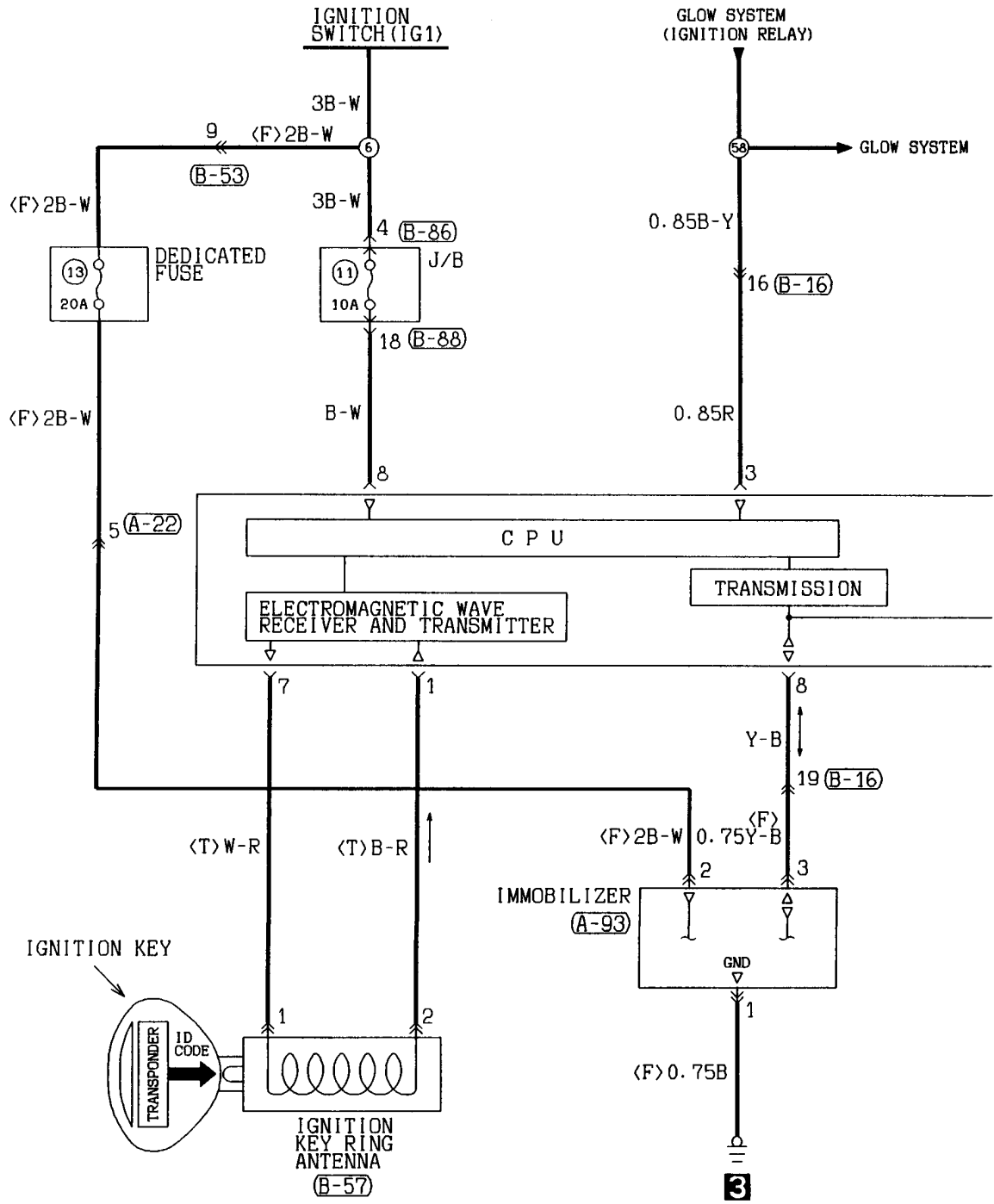
Wire colour code
 B : Black LG : Light green G : Green L : Blue W : White Y : Yellow SB : Sky blue
 BR : Brown O : Orange GR : Gray R : Red P : Pink V : Violet

NOTES

IMMOBILIZER SYSTEM

Diesel-powered vehicles

1



- (A-22)

1	2	3
4	5	6
- (A-93)

1	2	3
4	5	6
- (B-02)

1	2	3	4	5	6
7	8	9	10	11	12
- (B-16)

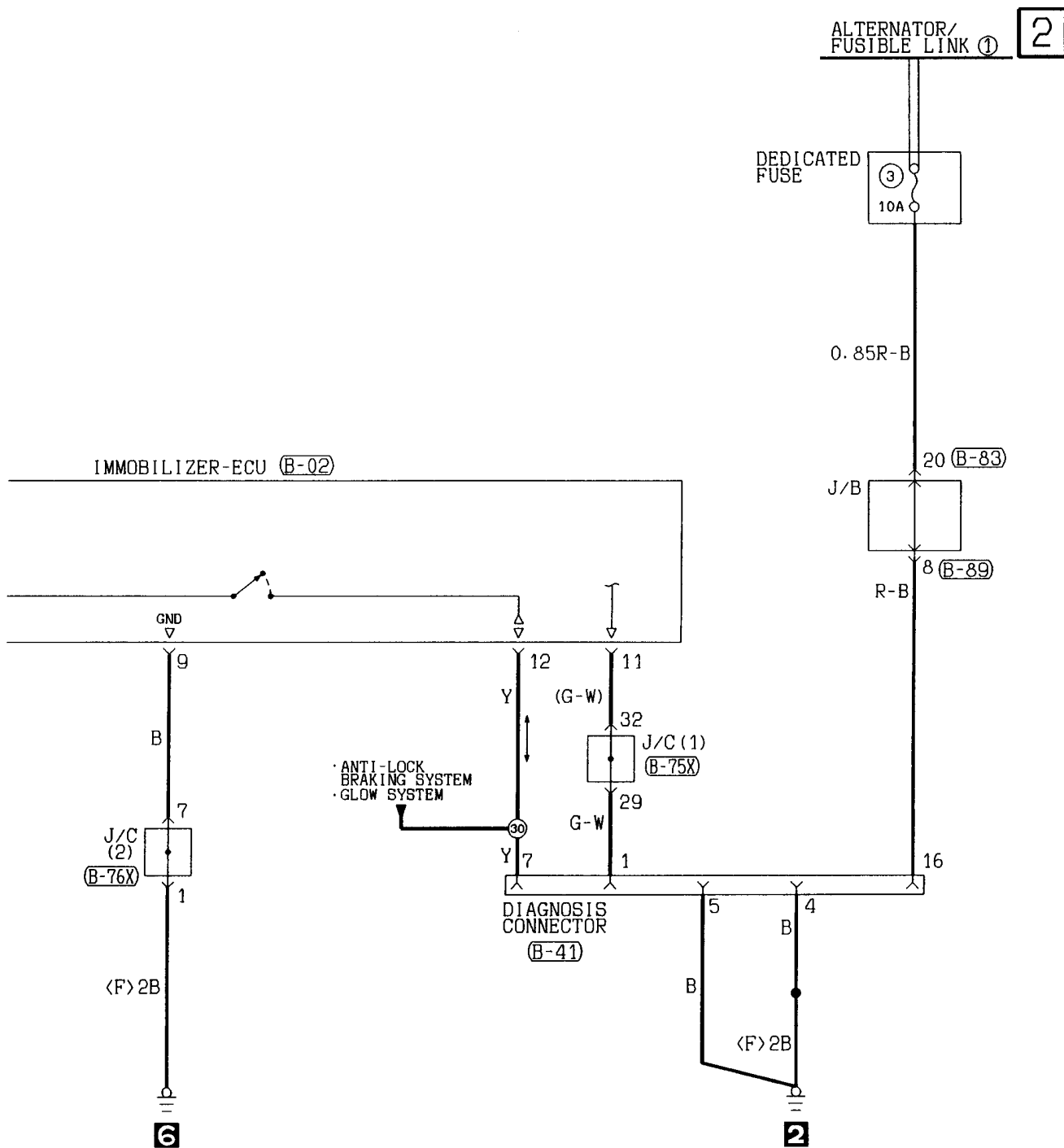
1	2	3	4	5	6	7	8	9		
10	11	12	13	14	15	16	17	18	19	20
- (B-41) FRONT SIDE

1	2	3	4	5	6	7	8
9	10	11	12	13	14	15	16
- (B-53)

1	2	3	4		
5	6	7	8	9	10
- (B-57)

1	2
---	---
- (B-75X)

1	2	3	4	5	6	7	8	9	10	11
12	13	14	15	16	17	18	19	20	21	22
23	24	25	26	27	28	29	30	31	32	33



(B-76X)

1	2	3	4	5	6	7	8	9	10	11
12	13	14	15	16	17	18	19	20	21	22
23	24	25	26	27	28	29	30	31	32	33

(B-83)

1	2	3	4	5	6	7	8	9
10	11	12	13	14	15	16	17	18
19	20							

(B-86)

1	2	3	4	5	6	7	8
9	10	11	12	13	14	15	16
17	18						

(B-88)

1	2	3	4	5	6	7	8	9	10
11	12	13	14	15	16	17	18	19	20
21	22								

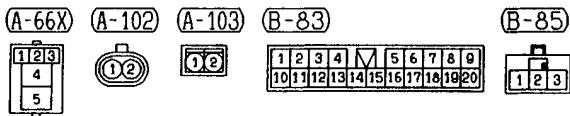
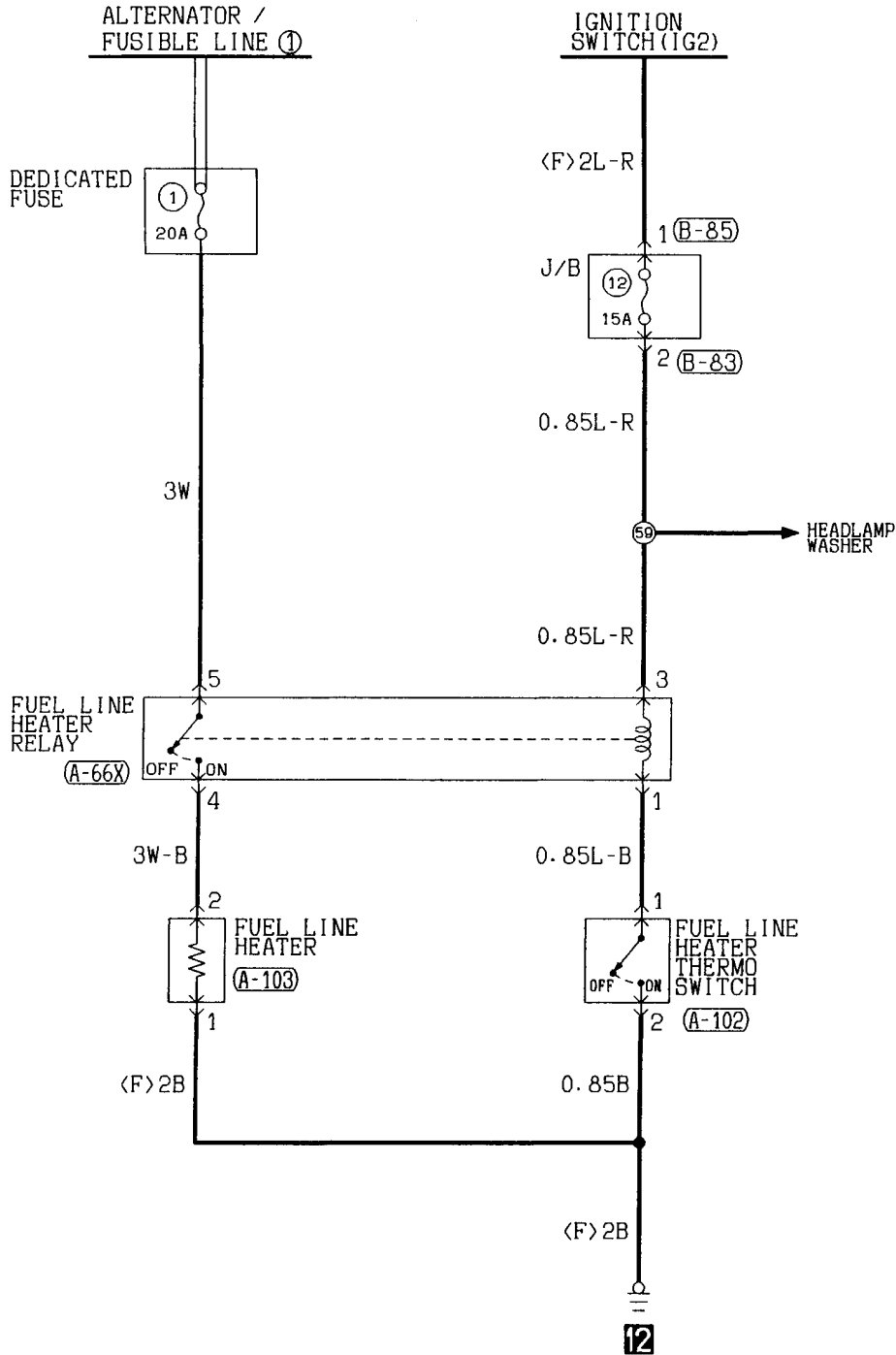
(B-89)

1	2	3	4	5	6	7	8	9	10
11	12	13	14	15	16	17	18	19	20
21	22								

Wire colour code
 B : Black LG : Light green G : Green L : Blue W : White Y : Yellow SB : Sky blue
 BR : Brown O : Orange GR : Gray R : Red P : Pink V : Violet

FUEL LINE HEATER

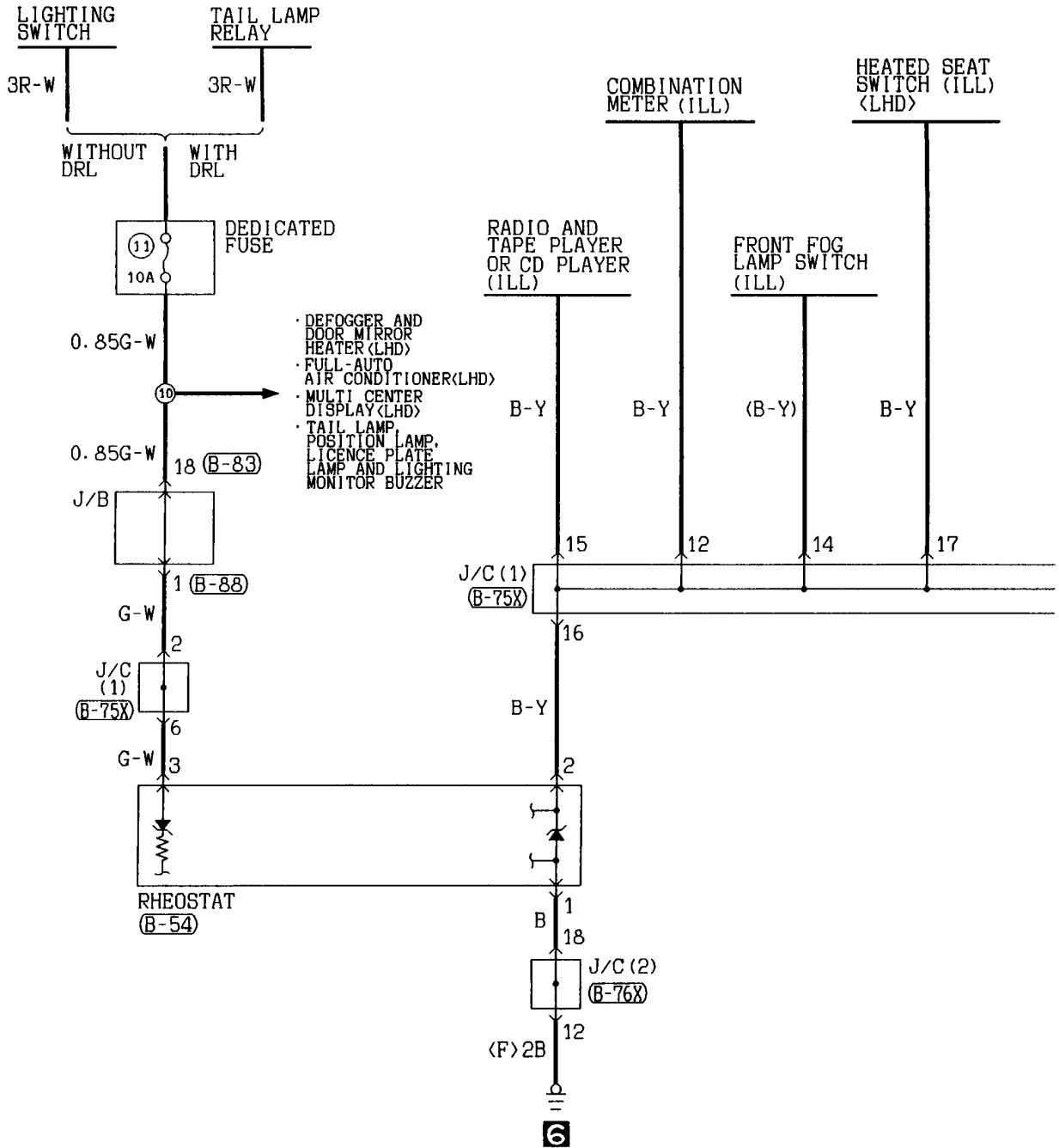
1



Wire colour code
 B : Black LG:Light green G :Green L :Blue W :White Y :Yellow SB:Sky blue
 BR:Brown O :Orange GR:Gray R :Red P :Pink V :Violet

RHEOSTAT

1



(B-54)

M	1	2	3
1	2	3	

(B-75X)

1	2	3	4	5	6	7	8	9	10	11
12	13	14	15	16	17	18	19	20	21	22
23	24	25	26	27	28	29	30	31	32	33

(B-76X)

1	2	3	4	5	6	7	8	9	10	11
12	13	14	15	16	17	18	19	20	21	22
23	24	25	26	27	28	29	30	31	32	33

(B-83)

1	2	3	4	M	6	7	8	9		
10	11	12	13	14	15	16	17	18	19	20

(B-88)

1	2	3	4	5	M	7	8	9	10		
11	12	13	14	15	16	17	18	19	20	21	22

6

2

