

GROUP 14

ENGINE COOLING

GENERAL

OUTLINE OF CHANGES

- The following service procedures have been added to correspond to the addition of the diesel-powered vehicle.

Applicable models: 1900D

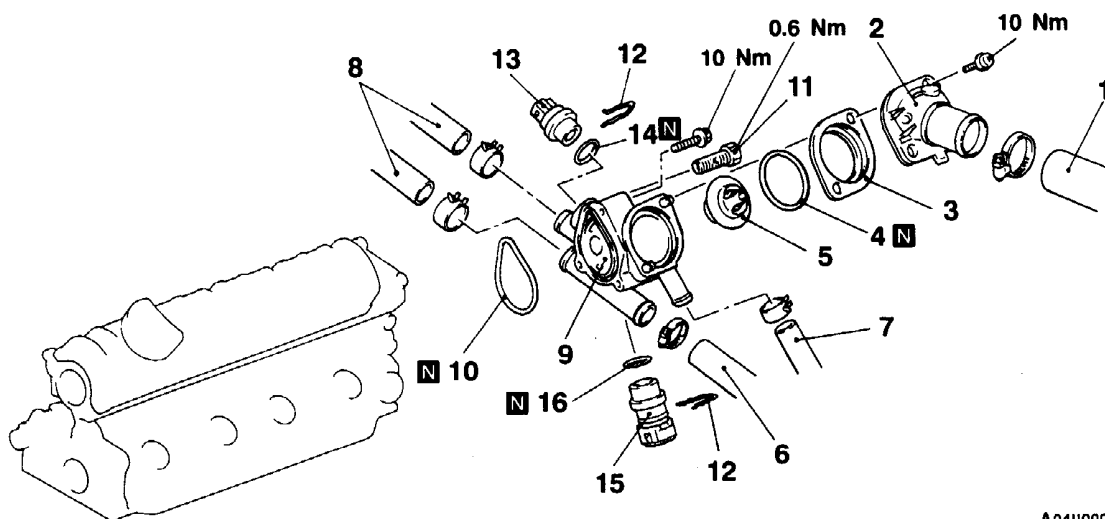
1. Removal and installation of the thermostat
2. Removal and installation of the water pump
3. Removal and installation of the radiator

THERMOSTAT

REMOVAL AND INSTALLATION

Pre-removal and Post-installation Operation

- (1) Engine Coolant Draining and Supplying
- (2) Air Cleaner Assembly Removal and Installation



A04U0009

Removal steps



1. Radiator upper hose connection
2. Water inlet fitting
3. Plate
4. O-ring
5. Thermostat
6. Water hose connection
7. Radiator lower hose connection
8. Heater hoses connection
9. Thermostat housing

10. O-ring
11. Bleed screw
12. Clip
13. Engine coolant temperature sensor
14. O-ring
15. Engine coolant temperature gauge unit
16. O-ring

REMOVAL SERVICE POINT

◀A▶ RADIATOR UPPER HOSE DISCONNECTION

After making mating marks on the radiator hose and the hose clamp, disconnect the radiator hose.

INSTALLATION SERVICE POINT

▶A◀ RADIATOR UPPER HOSE CONNECTION

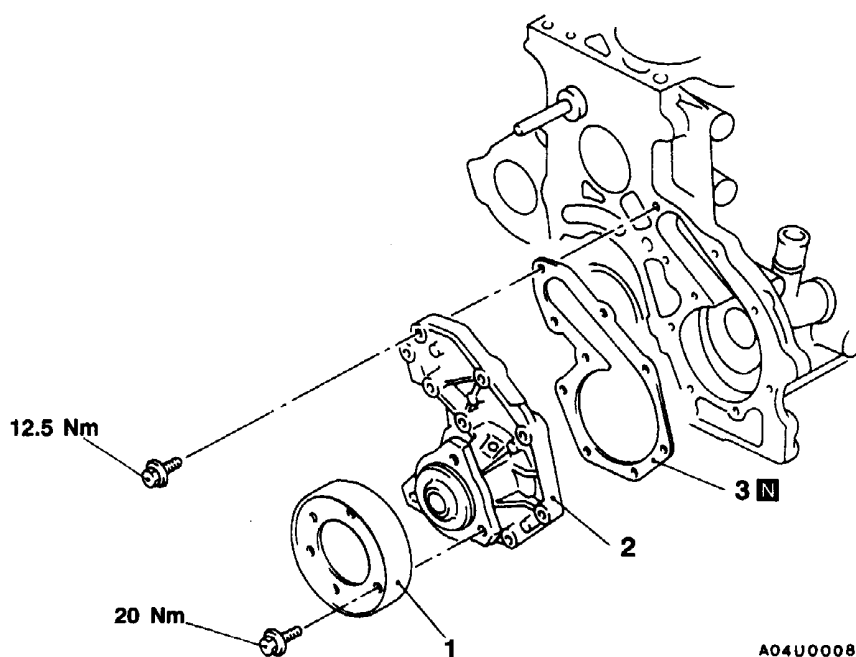
Align the mating marks on the radiator hose and hose clamp, and then connect the radiator hose.

WATER PUMP

REMOVAL AND INSTALLATION

Pre-removal and Post-installation Operation

- (1) Engine Coolant Draining and Supplying
- (2) Timing Belt Under Cover Lower Removal and Installation (Refer to GROUP 11B - Intermediate Shaft Oil Seal.)



A04U0008

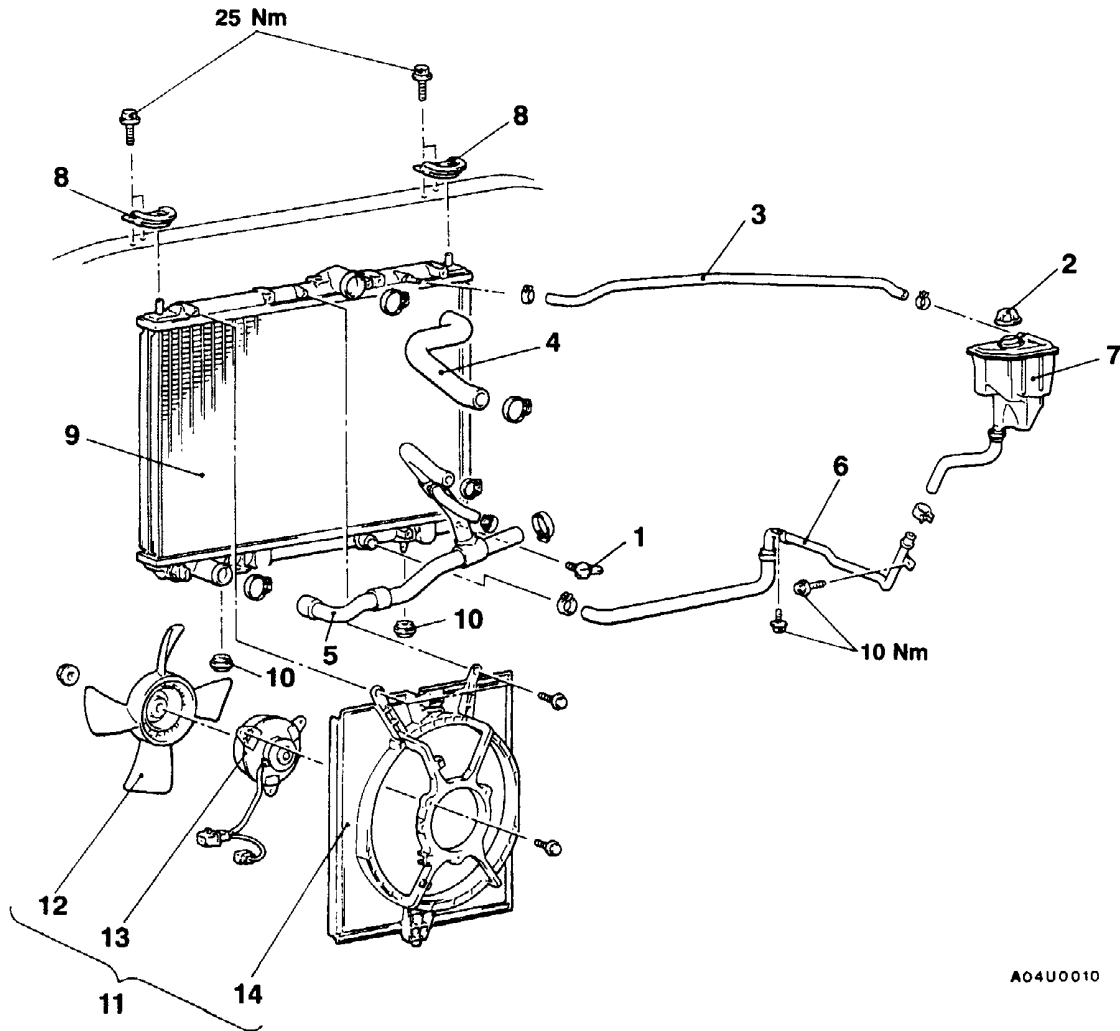
Removal steps

1. Water pump pulley
2. Water pump
3. Gasket

RADIATOR

REMOVAL AND INSTALLATION

Pre-removal and Post-installation Operation
 • Engine Coolant Draining and Supplying



A04U0010

Radiator removal steps

1. Drain plug
2. Pressure cap
3. Hotbottle hose
4. Radiator upper hose
5. Radiator lower hose
6. Filter pipe assembly
7. Hot bottle tank
8. Upper insulator
9. Radiator assembly

10. Lower insulator
11. Radiator fan motor assembly

Radiator fan motor removal steps

11. Radiator fan motor assembly
12. Fan
13. Radiator fan motor
14. Shroud

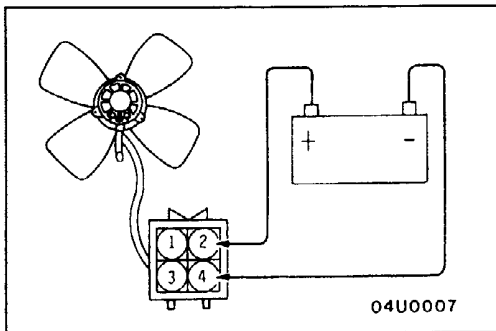


REMOVAL SERVICE POINT**◀▶ RADIATOR UPPER HOSE/RADIATOR LOWER HOSE DISCONNECTION**

After making mating marks on the radiator hose and the hose clamp, disconnect the radiator hose.

INSTALLATION SERVICE POINT**▶◀ RADIATOR LOWER HOSE/RADIATOR UPPER HOSE CONNECTION**

Align the mating marks on the radiator hose and hose clamp, and then connect the radiator hose.

**INSPECTION****RADIATOR FAN MOTOR CHECK**

1. Check to be sure that the radiator fan rotates when battery voltage is applied between terminals (as shown in the figure).
2. Check to see that abnormal noises are not produced, while motor is turning.