

GROUP 32 POWER PLANT MOUNT

GENERAL

OUTLINE OF CHANGE

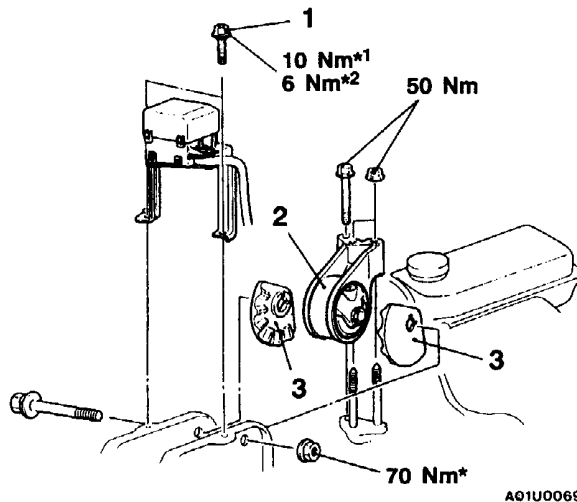
- The service procedures for the engine mounting have been added to correspond to the addition of the diesel-powered vehicle.
Applicable models: 1900D

ENGINE MOUNTING

REMOVAL AND INSTALLATION

Pre-removal Operation

- Jack Up the Engine and Transmission Assembly Until There is no Weight on the Engine Mount Bracket Insulator.



Removal steps

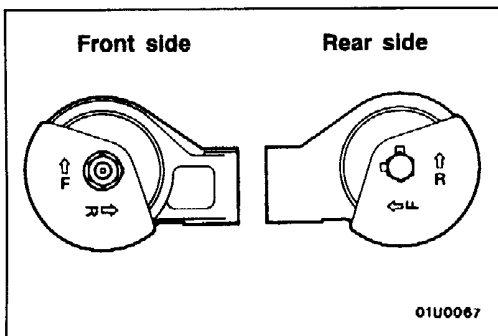
1. Bolts <Vehicles with A/C>
2. Engine mount bracket
3. Engine mount stopper

Caution

- Mounting locations marked by * should be provisionally tightened, and then fully tightened when the body is supporting the full weight of the engine.

NOTE

- *1: Flange screw
- *2: Washer assembled bolt



INSTALLATION SERVICE POINT

▶◀ENGINE MOUNT STOPPER INSTALLATION

- (1) At the front, install so that the arrow with the "F" mark is facing upward.
- (2) At the rear, install so that the arrow with the "R" mark is facing upward.