

GROUP 37A STEERING

GENERAL

OUTLINE OF CHANGES

- The following service procedures have been added to the addition of the diesel-powered vehicle.
Applicable models: 1900D
 - Removal and installation of the power steering oil pump
 - Removal and installation of the power steering hoses

POWER STEERING OIL PUMP

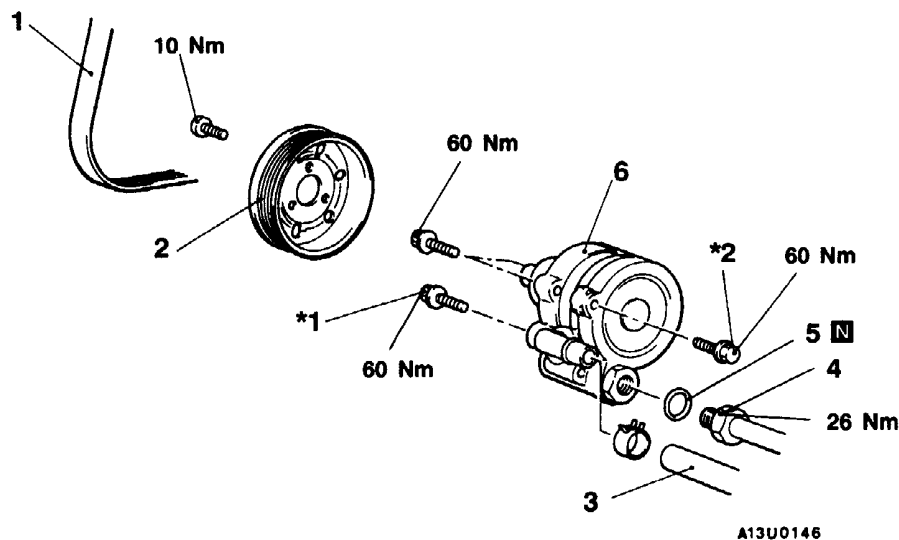
REMOVAL AND INSTALLATION

Pre-removal Operation

- Power Steering Fluid Draining
- Timing Belt Lower Cover Removal (Refer to GROUP 11 – Crankshaft Pulley.)

Post-installation Operation

- Power Steering Fluid Supplying
- Drive-belt Tension Adjusting
- Power Steering Fluid Line Bleeding
- Oil Pump Pressure Check
- Timing Belt Lower Cover Installation (Refer to GROUP 11 – Crankshaft Pulley.)



Removal steps

- Drive belt
- Power steering pump pulley
- Suction hose connection
- Pressure hose connection
- O-ring

6. Oil pump

NOTE

- *1: Vehicles with A/C
- *2: Vehicles without A/C

INSPECTION

- Check the drive-belt for cracks.
- Check the pulley assembly for uneven rotation.

POWER STEERING HOSES

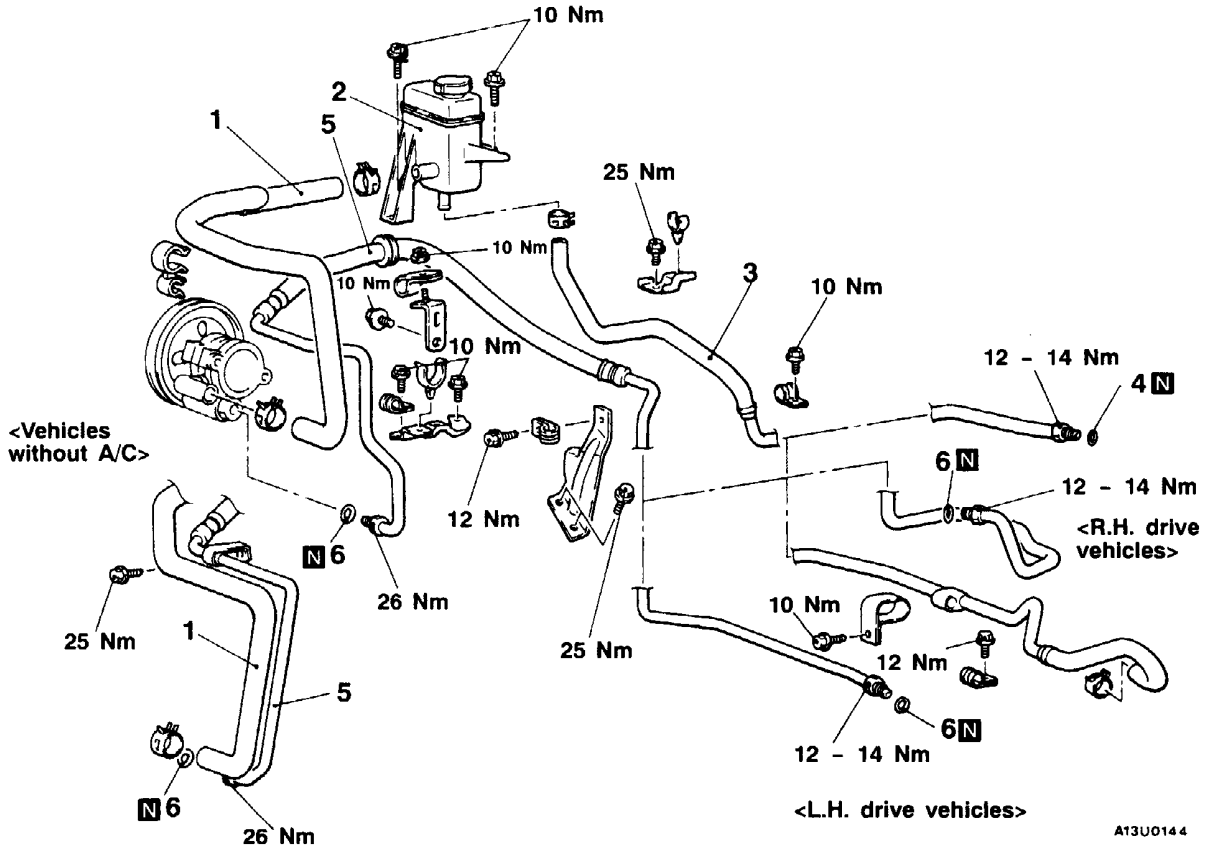
REMOVAL AND INSTALLATION

Pre-removal Operation

- Power Steering Fluid Draining

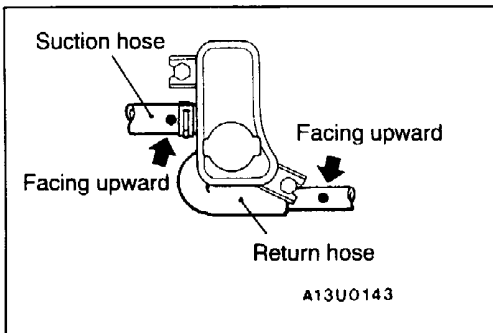
Post-installation Operation

- Power Steering Fluid Supplying
- Power Steering Fluid Line Bleeding



Removal steps

- | | | |
|-----|------------------|------------------|
| ▶A◀ | 1. Suction hose | 4. O-ring |
| ▶A◀ | 2. Oil reservoir | 5. Pressure hose |
| ▶A◀ | 3. Return hose | 6. O-ring |



INSTALLATION SERVICE POINT

- ▶A◀ **RETURN HOSE/SUCTION HOSE INSTALLATION**
 Connect the hose so that the marking is facing upwards.