

GROUP 42

BODY

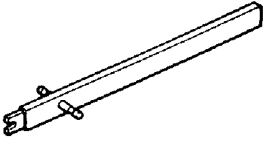
GENERAL

OUTLINE OF CHANGES

- The following service procedures have been added to correspond to the addition of the 4-door sedan.
Applicable models: 4-door sedan
 1. Removal and installation of the trunk lid
 2. Removal and installation of the trunk lid latch
 3. Removal and installation of the rear window glass
- The service procedure for the tailgate trim has been changed to correspond to the change of the pull-down strap assembly.
Applicable models: 4-door hatchback
- The service procedure for the keyless entry receiver-ECU has been changed, because the location of the keyless entry receiver-ECU has been changed.
Applicable models: Vehicles with keyless entry system

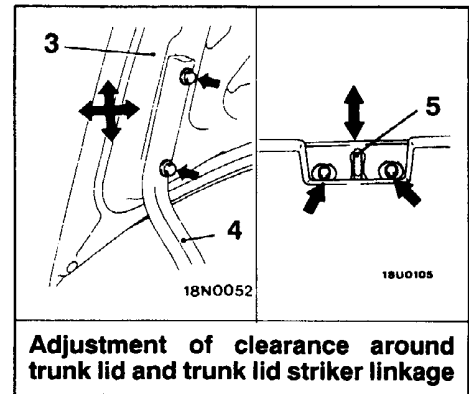
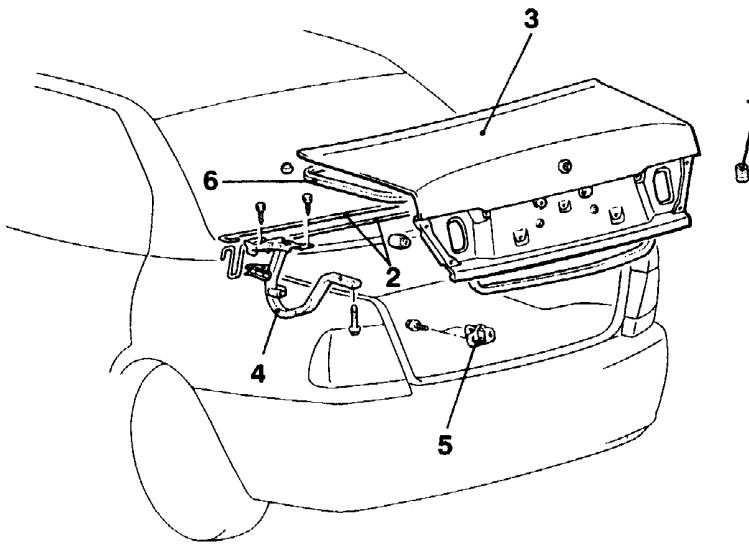
TRUNK LID

SPECIAL TOOL

Tool	Number	Name	Use
	MB991244	Torsion bar remover and installer	Removal and installation of trunk lid torsion bar

TRUNK LID

REMOVAL AND INSTALLATION



Adjustment of clearance around trunk lid and trunk lid striker linkage

18U0442
00005098

Trunk lid panel removal steps

- Licence plate lamp
 - Rear lid lamp
 - Rear panel garnish
1. Bumper
 2. Trunk lid torsion bar
 3. Trunk lid panel



Trunk lid hinge removal steps

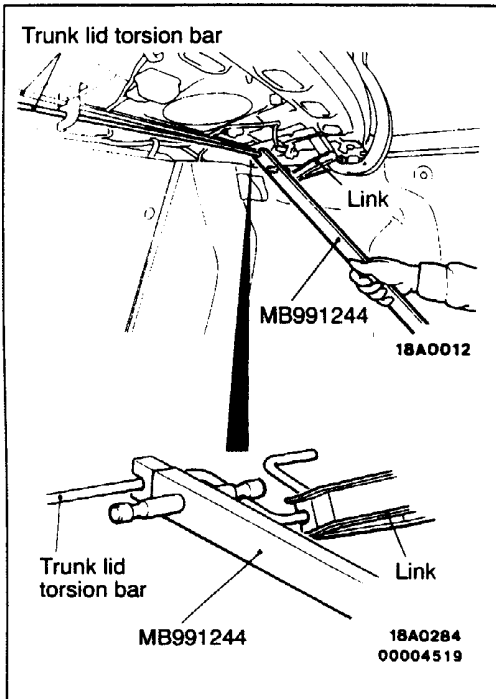
- Rear shelf trim (Refer to GROUP 52A.)
3. Trunk lid panel assembly
 4. Trunk lid hinge

Trunk lid striker removal steps

- Rear end trim (Refer to GROUP 52A.)
5. Trunk lid striker

Trunk lid weatherstrip removal

6. Trunk lid weatherstrip



REMOVAL SERVICE POINT

◀A▶ TRUNK LID TORSION BAR REMOVAL

1. Disconnect the body harness and the harness connector of the rear shelf lower panel.
2. Install the special tool as shown in the illustration, and then remove the torsion bar from the link while pushing the special tool downwards. Next, repeat the procedure from the other side.

Caution

Be sure to attach the special tool properly, as the body or parts could be damaged when the torsion bar is removed from the special tool.

INSTALLATION SERVICE POINTS

▶A◀ TRUNK LID WEATHER STRIP INSTALLATION

Install the trunk lid weatherstrip so that the marking and the joint are aligned with the body centre line.

▶B◀ TRUNK LID TORSION BAR INSTALLATION

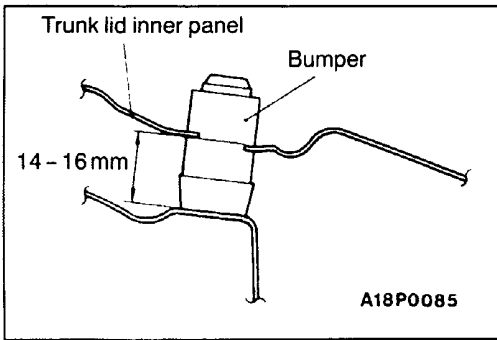
1. Check the colour of the identification mark at the middle of the torsion bars to make sure that the correct torsion bars are being used.

Torsion bar	Identification colour	
	Vehicles without rear spoiler	Vehicles with rear spoiler
L.H.	-	Blue
R.H.	White	Red

2. Insert the end of the torsion bar through the link side mating hole.
3. Install the special tool in the same way as when removing the torsion bar, and then twist the torsion bar while hooking it onto the link. After this, hook the torsion bar onto the holder.

Caution

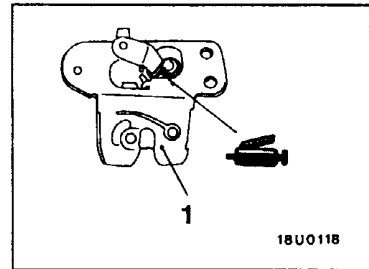
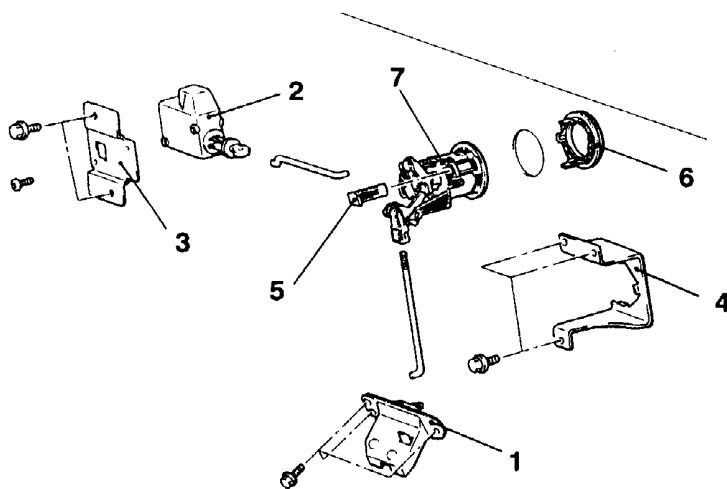
Be sure to attach the special tool properly, as the body or parts could be damaged when the torsion bar is removed from the special tool.



►C◄ BUMPER INSTALLATION

Install the bumper as shown in the figure.

TRUNK LID LATCH
REMOVAL AND INSTALLATION

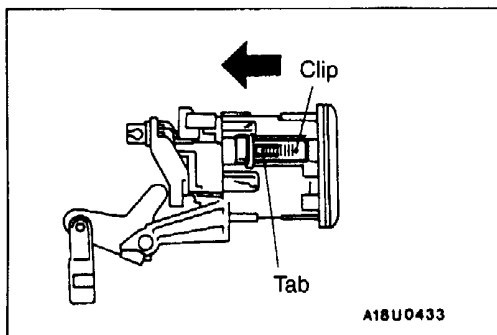


18U0449

00005099

Removal steps

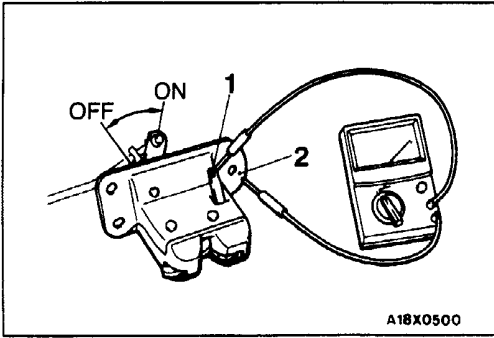
1. Trunk lid latch
2. Trunk lid lock actuator
3. Trunk lid lock actuator bracket
4. Trunk lid lock cylinder support bracket
5. Clip
6. Trunk lid cylinder cap
7. Trunk lid lock cylinder



REMOVAL SERVICE POINT

◄A► CLIP/TRUNK LID CYLINDER CAP REMOVAL

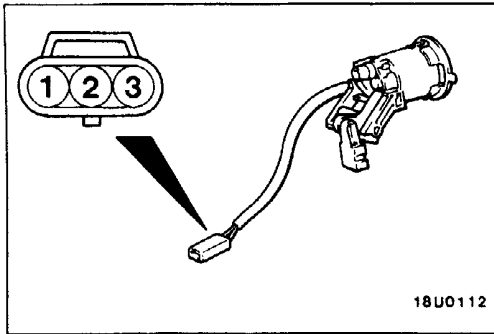
1. Press the tab of the clip to slide it in the direction shown. Then remove the clip.
2. Rotate the trunk lid cylinder cap clockwise until it stops. Then remove the cap.



INSPECTION

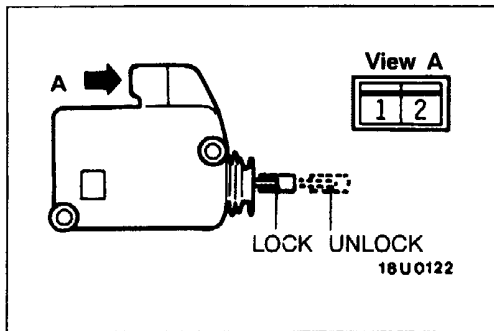
TRUNK LID SWITCH CONTINUITY CHECK

Switch position	Terminal No.	
	1	2
ON (Latch open)	○ — ○	○ — ○
OFF (Latch shut)		



TRUNK LID LOCK KEY CYLINDER SWITCH CONTINUITY CHECK

Switch position	Terminal No.		
	1	2	3
LOCK	○ — ○	○ — ○	
Neutral (OFF)			
UNLOCK		○ — ○	○ — ○



TRUNK LID LOCK ACTUATOR CHECK


Rod position	Terminal No.		Rod operation
	1	2	
LOCK	⊕ — ⊖	⊖ — ⊕	LOCK position → UNLOCK position
UNLOCK	⊖ — ⊕	⊕ — ⊖	UNLOCK position → LOCK position

WINDOW GLASS

ADHESIVES

Items	Specified adhesives
Rear window glass	3M ATD Part No. 8609 Super Fast Urethane Auto Glass Sealants or equivalent

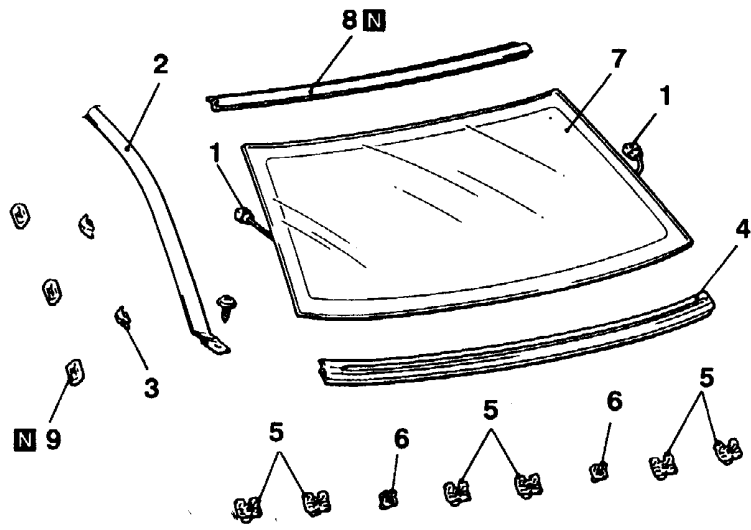
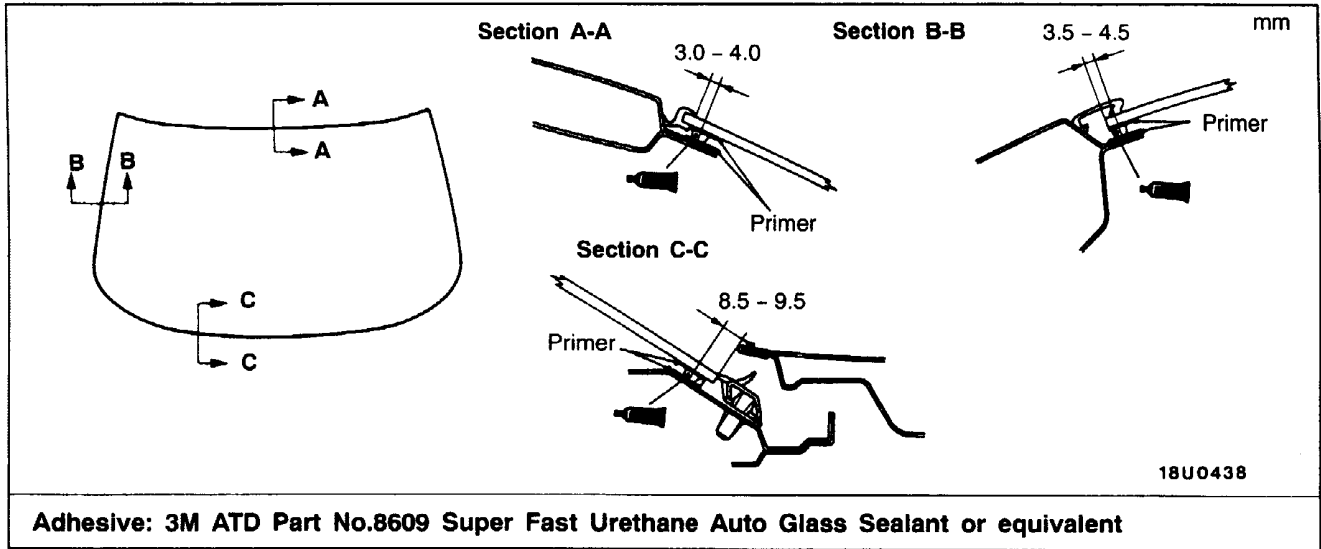
SPECIAL TOOLS

Tool	Number	Name	Use
	MB990449	Window moulding remover	Removal of roof drip moulding and rear window lower moulding

REAR WINDOW GLASS

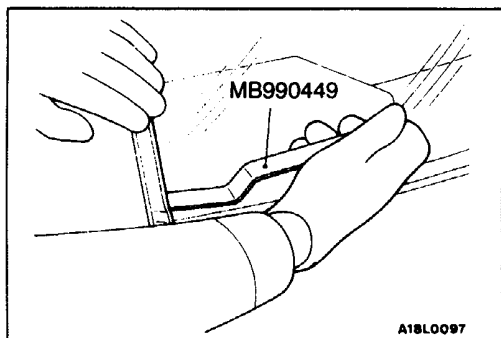
REMOVAL AND INSTALLATION

Pre-removal and Post-installation Operation
 (1) High Mounted Stop Lamp Removal and Installation (Refer to GROUP 54.)
 (2) Rear Pillar Trim Removal and Installation (Refer to GROUP 52A.)
 (3) Headlining Removal and Installation



Removal steps

- | | | | |
|-----------------------|--|---------------------------|---|
| <p>◀A▶</p> <p>◀A▶</p> | <ol style="list-style-type: none"> 1. Harness connector 2. Roof drip moulding 3. Clip 4. Rear window lower moulding 5. Grommet clip | <p>◀B▶ ▶A▶</p> <p>▶A▶</p> | <ol style="list-style-type: none"> 6. Rear window spacer 7. Rear window glass 8. Rear window upper moulding 9. Clip |
|-----------------------|--|---------------------------|---|



REMOVAL SERVICE POINTS

◀A▶ ROOF DRIP MOULDING/ REAR WINDOW LOWER MOULDING REMOVAL

Use the special tool to lever out the moulding.

Caution

If the moulding has become warped, it should not be reused.

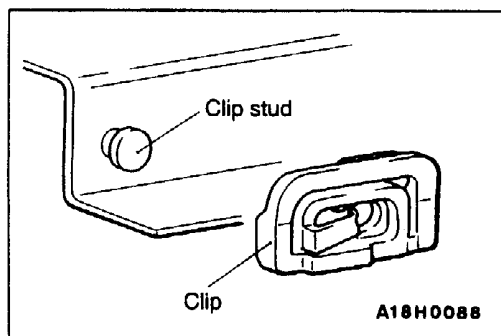
◀B▶ REAR WINDOW GLASS REMOVAL

Remove the rear window glass by the same procedure as for the windshield. (Refer to Basic Manual.)

INSTALLATION SERVICE POINT

▶A◀ CLIP/REAR WINDOW GLASS INSTALLATION

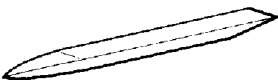
1. Use isopropyl alcohol to degrease the inside and outside edges of the rear window glass and the surface of the body flange.



2. Place the clips onto the clip studs.
3. Apply primer and adhesive. (Refer to P.42-6.)
4. Install the glass in the same way as for the windshield. (Refer to Basic Manual.)

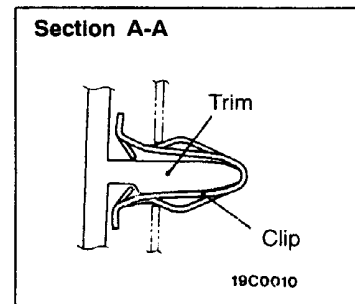
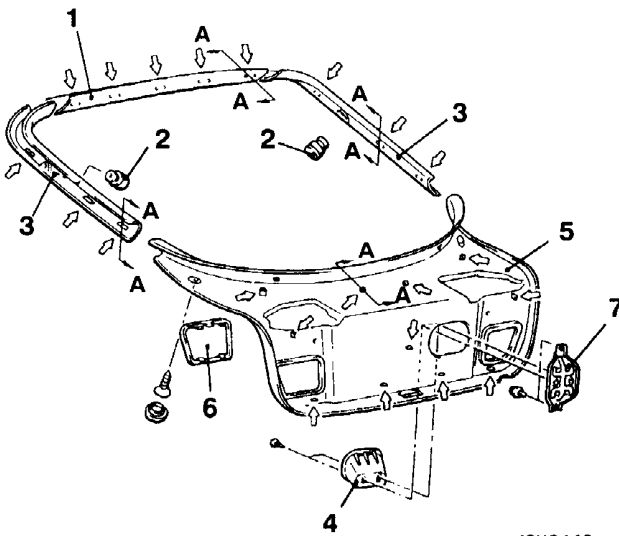
TAILGATE

SPECIAL TOOL

Tool	Number	Name	Use
	MB990784	Ornament remover	Removal of the tailgate trim

TAILGATE TRIM

REMOVAL AND INSTALLATION



18U0448

00005101

NOTE

↔ : metal clip position

Removal steps

1. Tailgate upper trim
2. Tailgate trim hook
3. Tailgate side trim

4. Tailgate grip box
5. Tailgate lower trim
6. Lid
7. Tailgate grip bracket

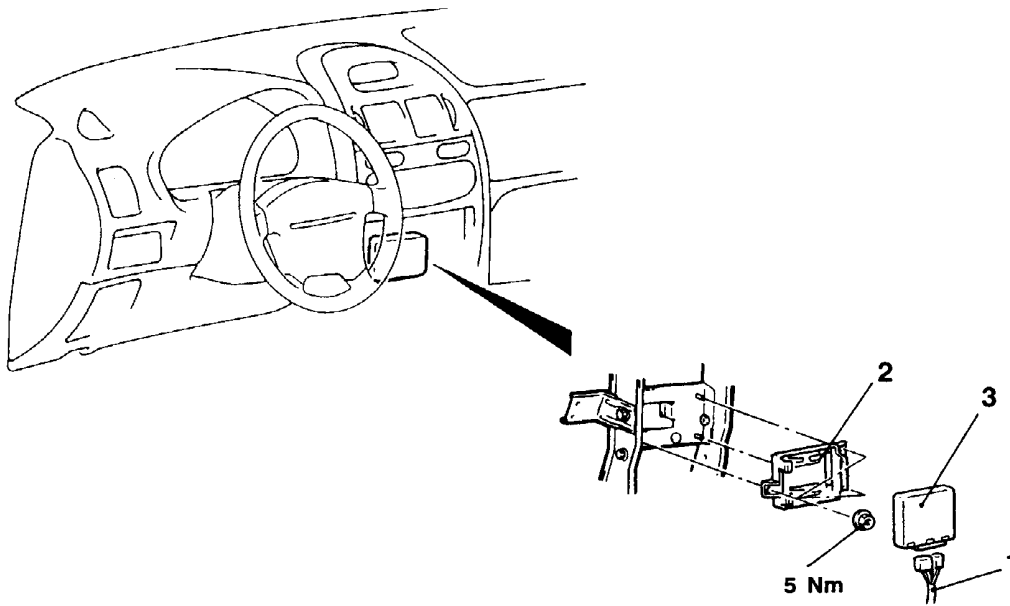
KEYLESS ENTRY SYSTEM

KEYLESS ENTRY RECEIVER-ECU

REMOVAL AND INSTALLATION

Pre-removal and Post-installation Operation

- Front Floor Console Assembly Removal and Installation



A18U0443

Removal steps

1. Harness connector
2. Keyless entry receiver bracket
3. Keyless entry receiver-ECU