

GROUP 51

EXTERIOR

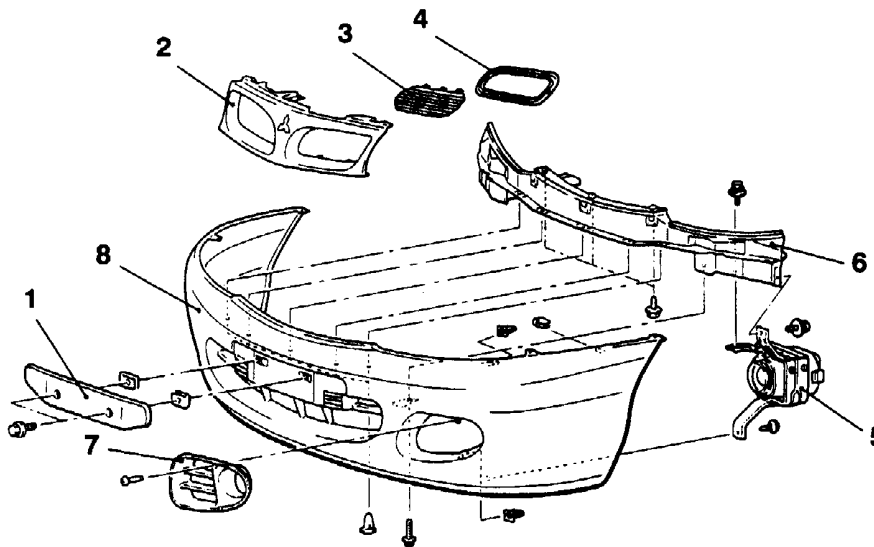
GENERAL

OUTLINE OF CHANGES

- The service procedure for the front bumper has been added to correspond to the use of the licence plate bracket.
Applicable models: 1900D
- The following procedure has been added to correspond to the addition of the 4-door sedan.
Applicable models: 4-door sedan
 1. Removal and installation of the drip moulding
 2. Removal and installation of the marks
- The following procedure has been added to correspond to the use of the rear spoiler.
Applicable models: 4-door sedan <1800-DOHC>
- The grade marks have been added to correspond to the addition of the diesel-powered vehicle.
Applicable models: 4-door hatchback <1900D>

FRONT BUMPER

DISASSEMBLY AND REASSEMBLY



A18U0444

Disassembly steps

1. Licence plate bracket
2. Radiator grille, outer
3. Radiator grille, inner
4. Radiator grille cover
5. Front fog lamp
6. Bumper reinforcement

7. Fog lamp cover
8. Bumper face

NOTE

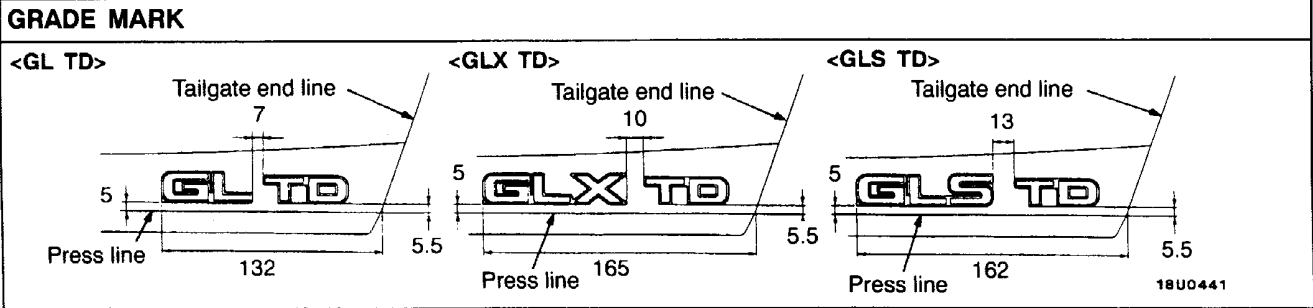
For removal and installation of the bumper assembly, refer to the basic manual.

MARKS

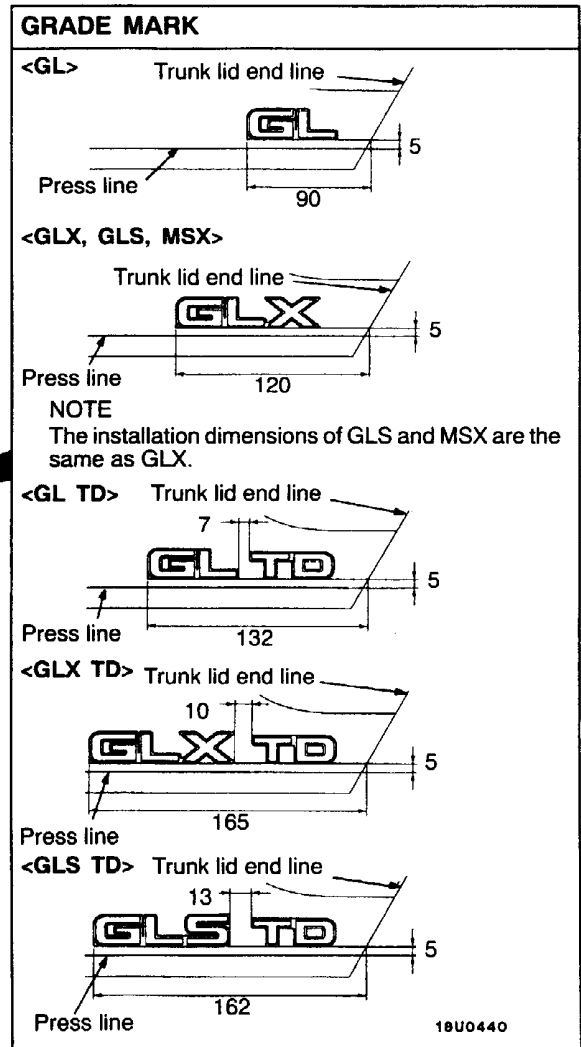
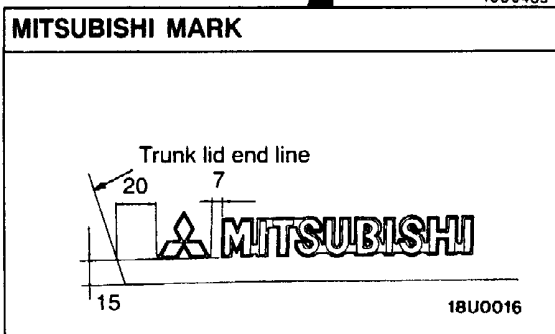
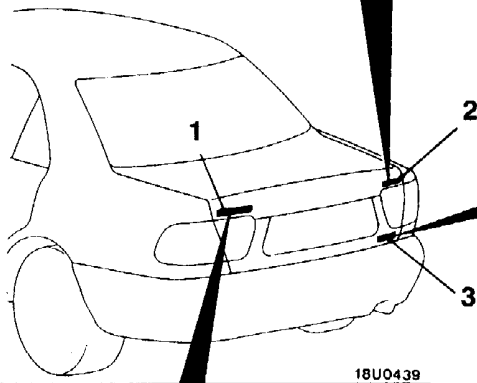
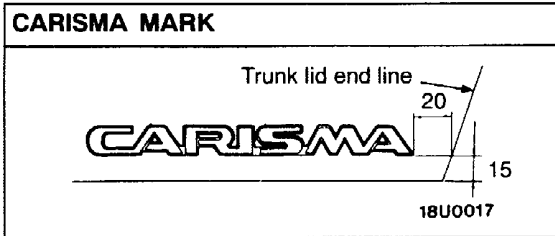
REMOVAL AND INSTALLATION

HATCHBACK

Unit: mm



SEDAN



1. MITSUBISHI MARK
2. CARISMA MARK
3. GRADE MARK