

GROUP 52A INTERIOR

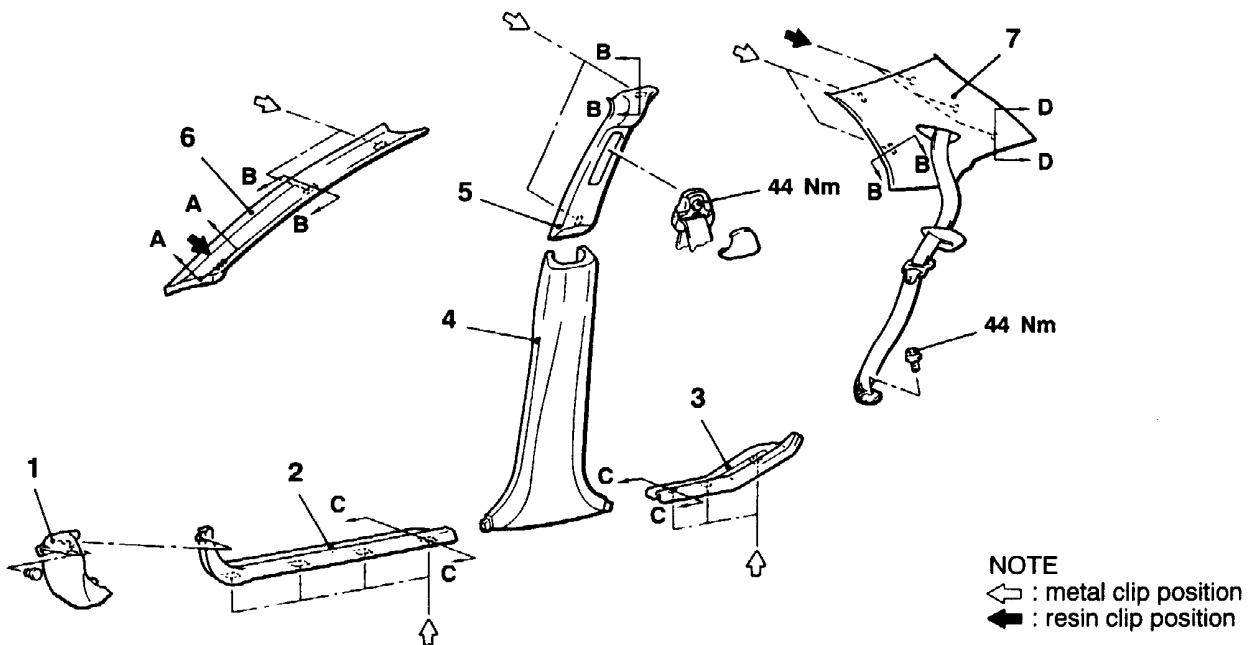
GENERAL

OUTLINE OF CHANGES

- The following service procedures have been added to correspond to the addition of the 4-door sedan.
Applicable models: 4-door sedan
 - Removal and installation of the trims
 - Removal and installation of the rear seat

TRIMS

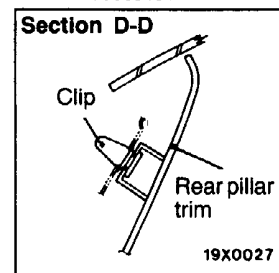
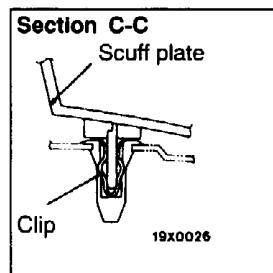
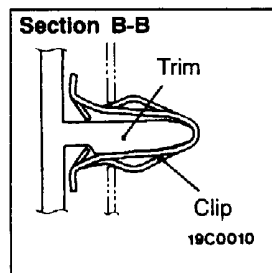
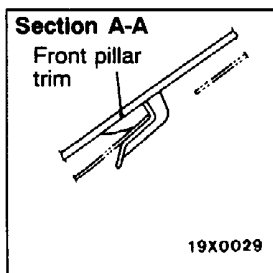
REMOVAL AND INSTALLATION



NOTE
 ↖ : metal clip position
 ↗ : resin clip position

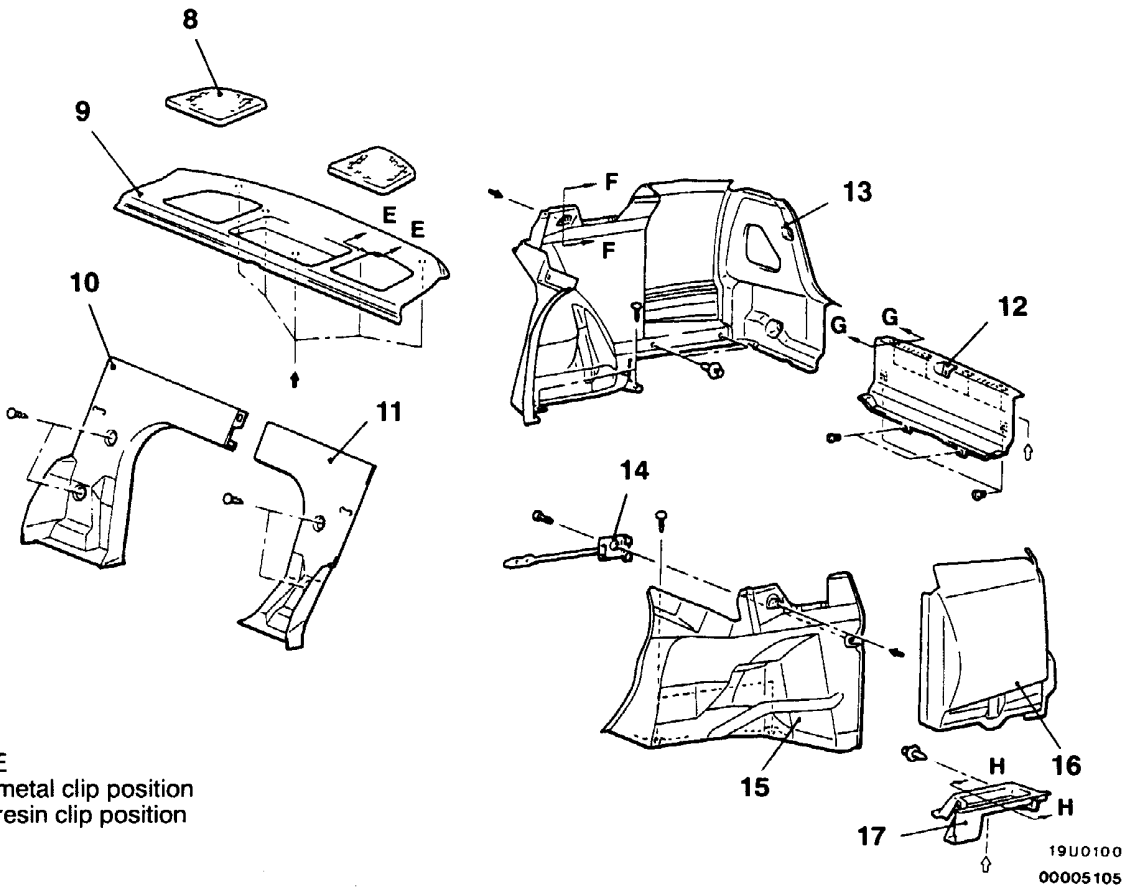
19U0097

00005104



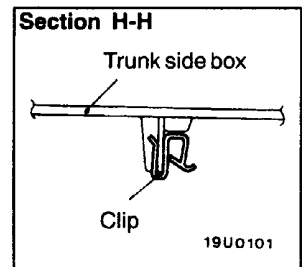
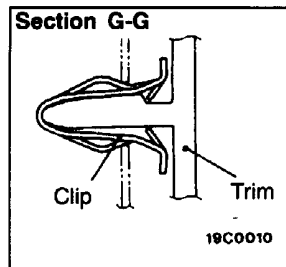
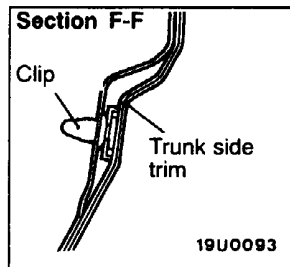
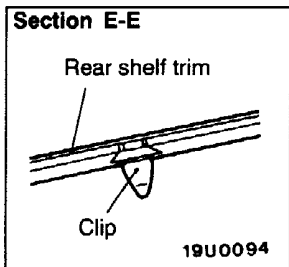
- Cowl side trim
- Front scuff plate
- Rear scuff plate
- Center pillar lower trim

- Center pillar upper trim
- Front pillar trim
- Rear pillar trim



NOTE

⇨ : metal clip position
 ⇨ : resin clip position



- 8. Rear speaker garnish
- 9. Rear shelf trim
- 10. Shelf front cover (RH) or trunk front trim
- 11. Shelf front cover (LH)
- 12. Rear end trim

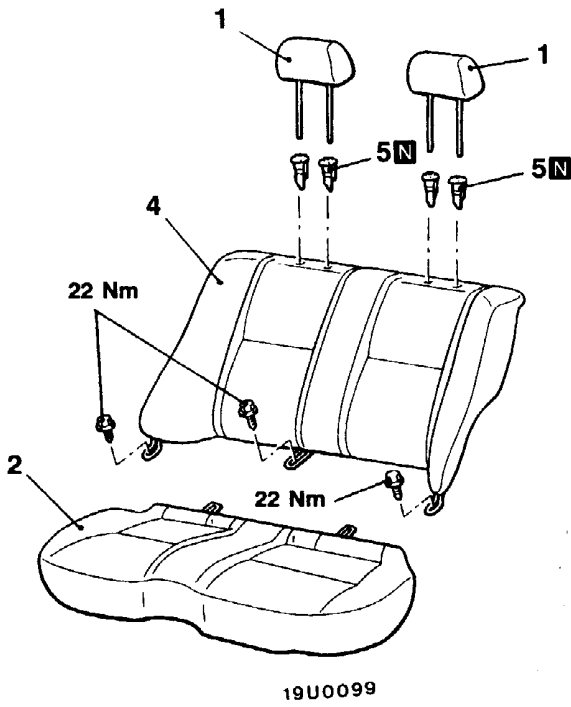
- 13. Trunk side trim (RH)
- 14. Hook assembly
- 15. Trunk side trim (LH)
- 16. Trunk rear trim
- 17. Trunk side box

SEAT

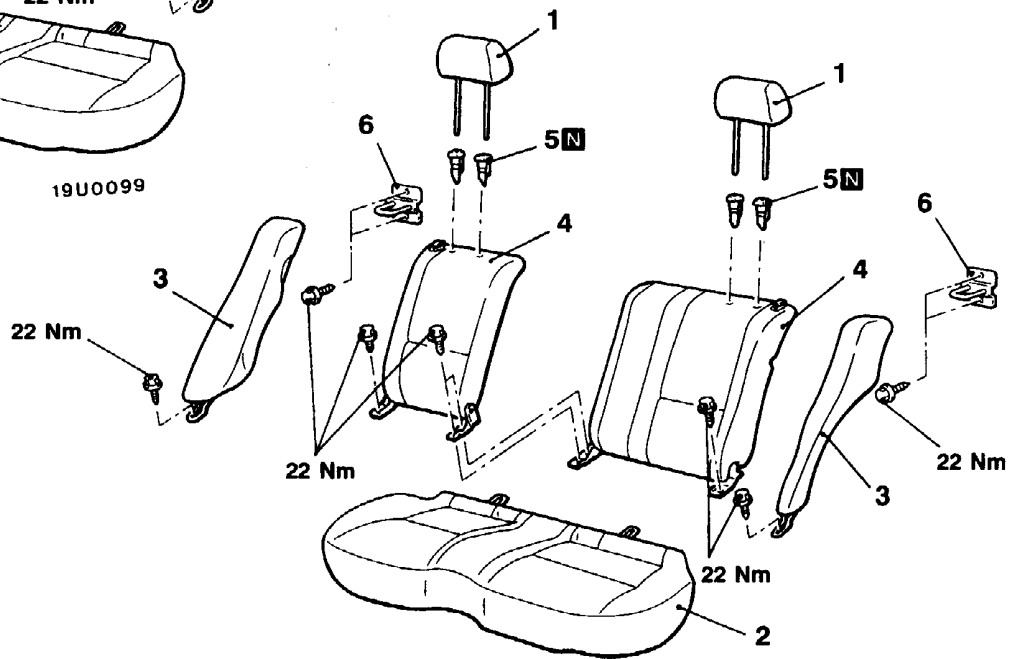
REAR SEAT

REMOVAL AND INSTALLATION

LOW BACK BENCH SEAT



LOW BACK SPLIT SEAT



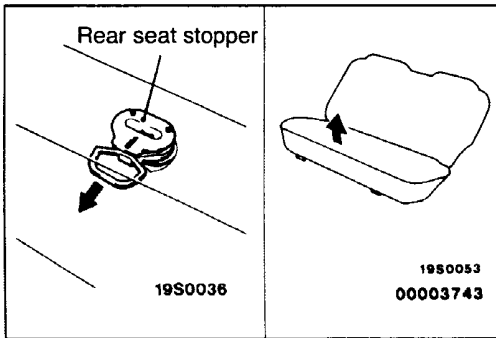
19U0098

00005106

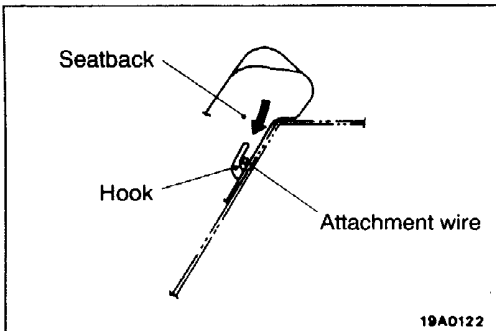
Removal steps

- 1. Headrest
- 2. Seat cushion
- 3. Side seatback assembly

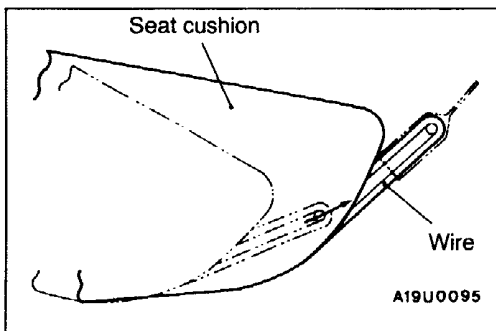
- 4. Rear seatback assembly
- 5. Headrest guide
- 6. Rear seat striker

**REMOVAL SERVICE POINT****◀A▶ SEAT CUSHION REMOVAL**

While keeping the rear seat stopper pulled, lift up the seat cushion to remove it.

**INSTALLATION SERVICE POINTS****▶A◀ REAR SEATBACK ASSEMBLY/SIDE SEATBACK ASSEMBLY INSTALLATION**

Push the rear seatback assembly or side seatback assembly in the direction indicated in the illustration; then securely attach the attachment wire to the body side hook and install the rear seatback assembly or side seatback assembly.

**▶B◀ SEAT CUSHION INSTALLATION**

Insert the wire of the seat cushion into the body hole to install the seat cushion.