
POWER PLANT MOUNT

CONTENTS

3210900035

GENERAL INFORMATION	2	TRANSMISSION MOUNTING	4
SPECIAL TOOLS	3	ENGINE ROLL STOPPER, CENTERMEMBER	5
ENGINE MOUNTING	3	CROSSMEMBER	7

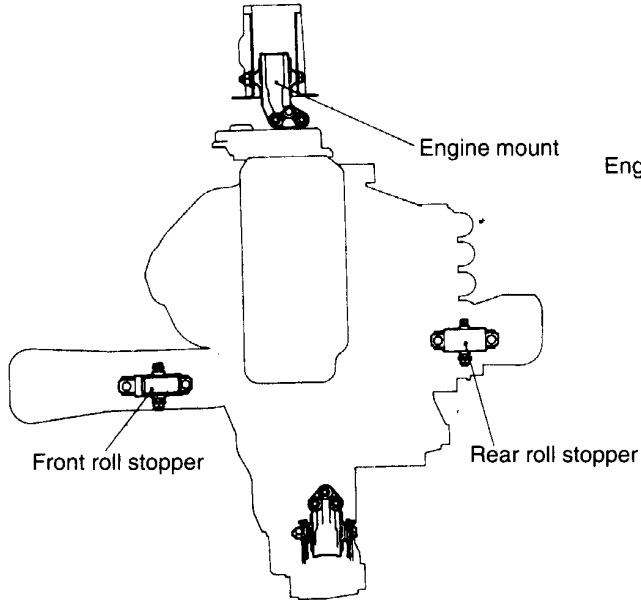
GENERAL INFORMATION

32100010037

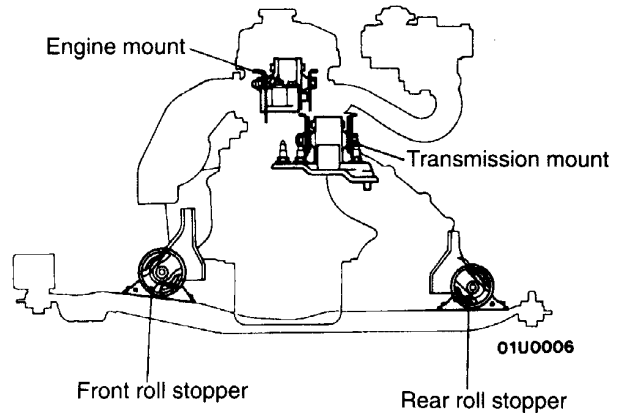
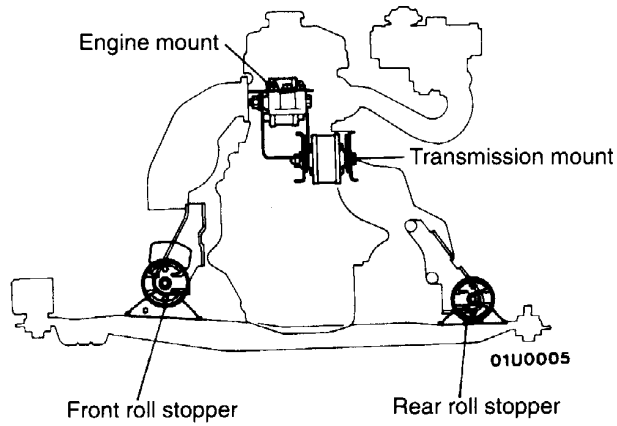
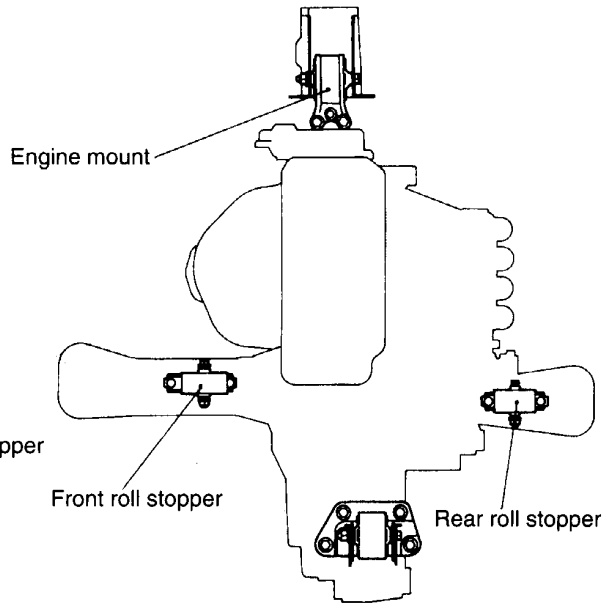
The engine-transmission mount is of an inertial axis supporting type whose excellent features have already been proven in many Mitsubishi vehicles. The inertial axis supporting type mount supports

the front upper part of the engine at the front and the rear upper part of the transmission at the rear. This arrangement effectively suppresses the engine vibration.

<M/T>



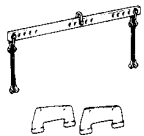
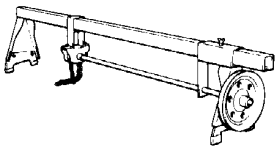
<A/T>



00003361

SPECIAL TOOLS

32100060032

Tool	Number	Name	Use
	MB991453	Engine hanger	To support the engine assembly during removal and installation of the centermember
	GENERAL SERVICE TOOL MZ203827	Engine lifter	

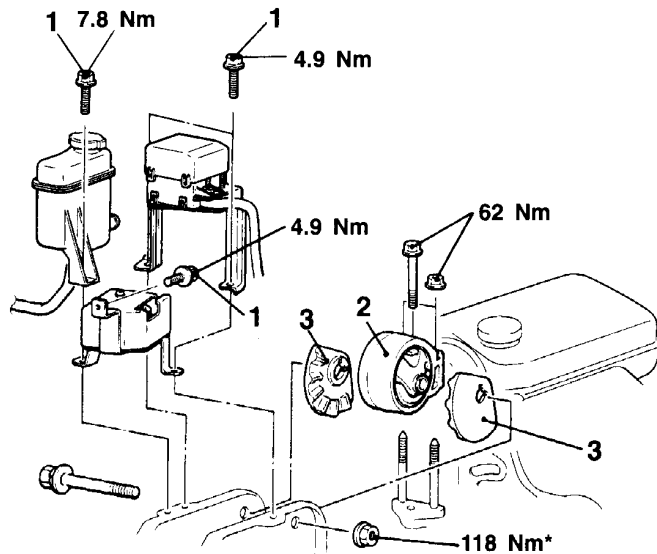
ENGINE MOUNTING

32100110034

REMOVAL AND INSTALLATION

Pre-removal Operation

- Jack Up the Engine and Transmission Assembly Until There is no Weight on the Engine Mount Bracket Insulator.



A01U0007

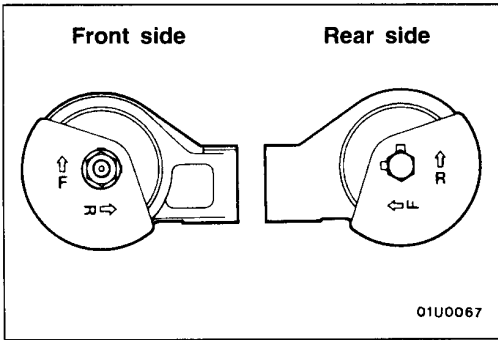
Removal steps

- 1. Bolts
- 2. Engine mount bracket
- ▶A◀ 3. Engine mount stopper
<Except 4G92 – SOHC – M/T>

Caution

- Mounting locations marked by * should be provisionally tightened, and then fully tightened when the body is supporting the full weight of the engine.

32-4 POWER PLANT MOUNT – Engine Mounting/Transmission Mounting



INSTALLATION SERVICE POINT

▶◀ENGINE MOUNT STOPPER INSTALLATION

- (1) At the front, install so that the arrow with the “F” mark is facing upward.
- (2) At the rear, install so that the arrow with the “R” mark is facing upward.

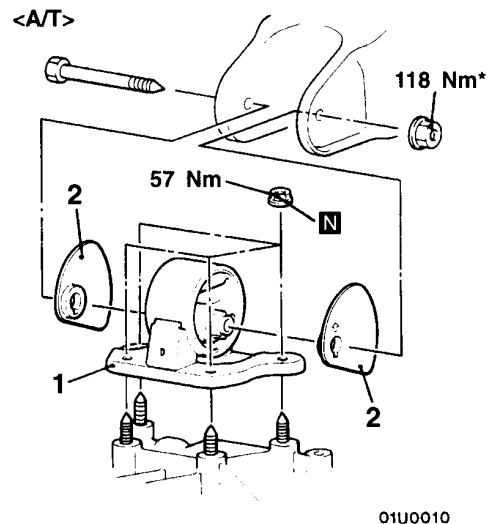
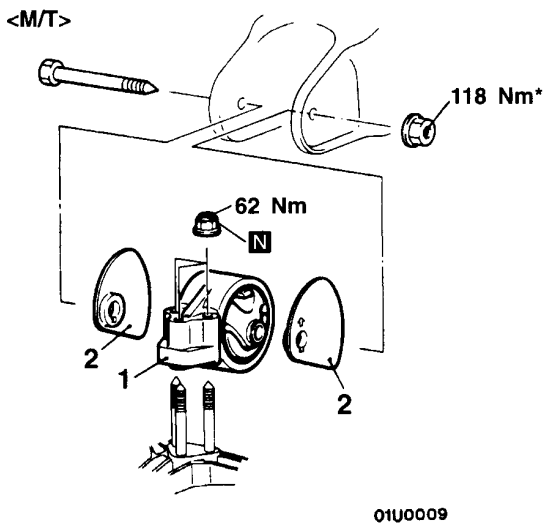
TRANSMISSION MOUNTING

32100140033

REMOVAL AND INSTALLATION

Pre-removal and Post-installation Operation

- (1) Air Cleaner Assembly Installation and Removal
- (2) Battery and Battery Tray Removal and Installation



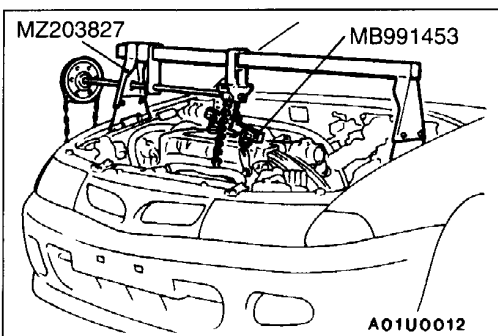
00003362

Removal steps

- Centermember mounting bolt
1. Transmission mount bracket
 2. Transmission mount stopper

Caution

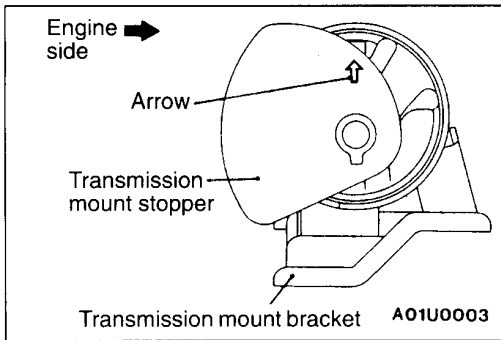
- Mounting locations marked by * should be provisionally tightened, and then fully tightened when the body is supporting the full weight of the engine.



REMOVAL SERVICE POINT

◀▶TRANSMISSION MOUNT BRACKET REMOVAL

- (1) Install the special tool to the vehicle body to support the engine and transmission assembly.
- (2) Remove the centermember mounting bolt.



- (3) Remove the bolt and nut of the transmission mount bracket.
- (4) After lowering the engine and transmission assembly, remove the transmission mount bracket.

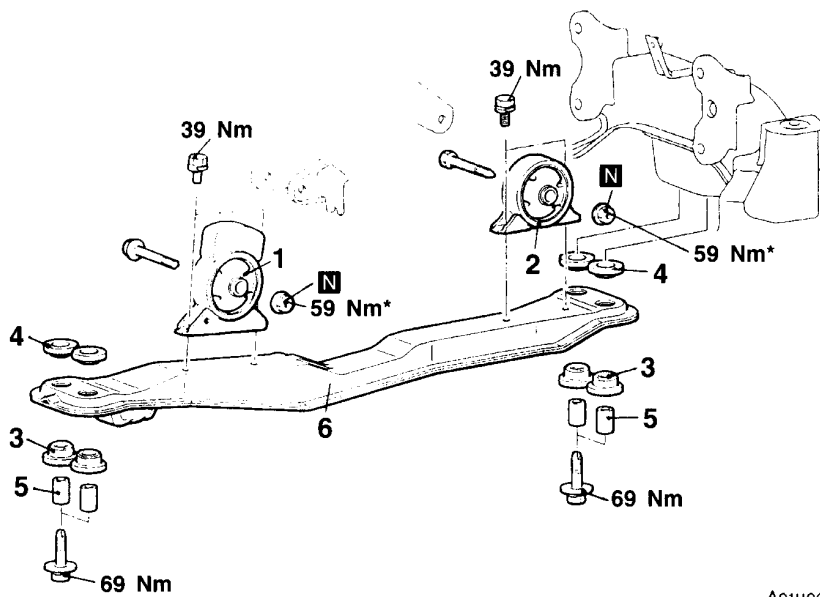
INSTALLATION SERVICE POINT

▶A◀ TRANSMISSION MOUNT STOPPER INSTALLATION

Clamp the transmission mount stopper so that the arrow points in the direction as shown in the diagram.

**ENGINE ROLL STOPPER, CENTERMEMBER
REMOVAL AND INSTALLATION**

32100200038



A01U0011

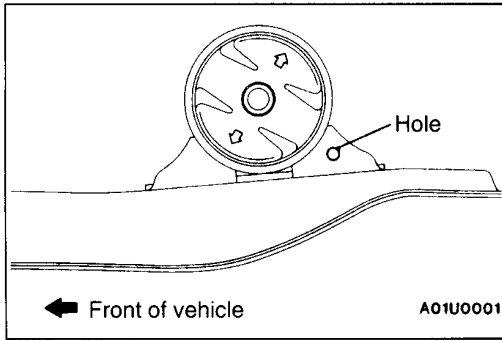
Roll stopper removal steps

- ▶B◀ 1. Front roll stopper bracket assembly
- ▶A◀ 2. Rear roll stopper bracket assembly

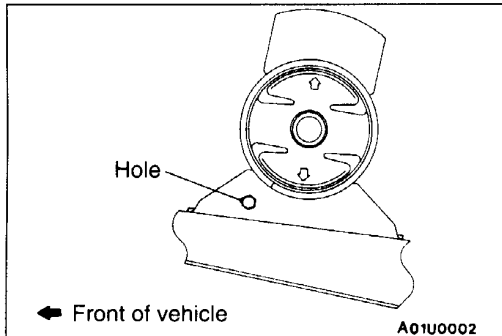
- 3. Bushing (lower)
- 4. Bushing (upper)
- 5. Collar
- 6. Centermember

Caution

- Mounting locations marked by * should be provisionally tightened, and then fully tightened when the body is supporting the full weight of the engine.

**INSTALLATION SERVICE POINTS****►A◄ REAR ROLL STOPPER BRACKET ASSEMBLY INSTALLATION**

Install so that the hole in the rear roll stopper bracket is facing towards the rear of the vehicle.

**►B◄ FRONT ROLL STOPPER BRACKET ASSEMBLY INSTALLATION**

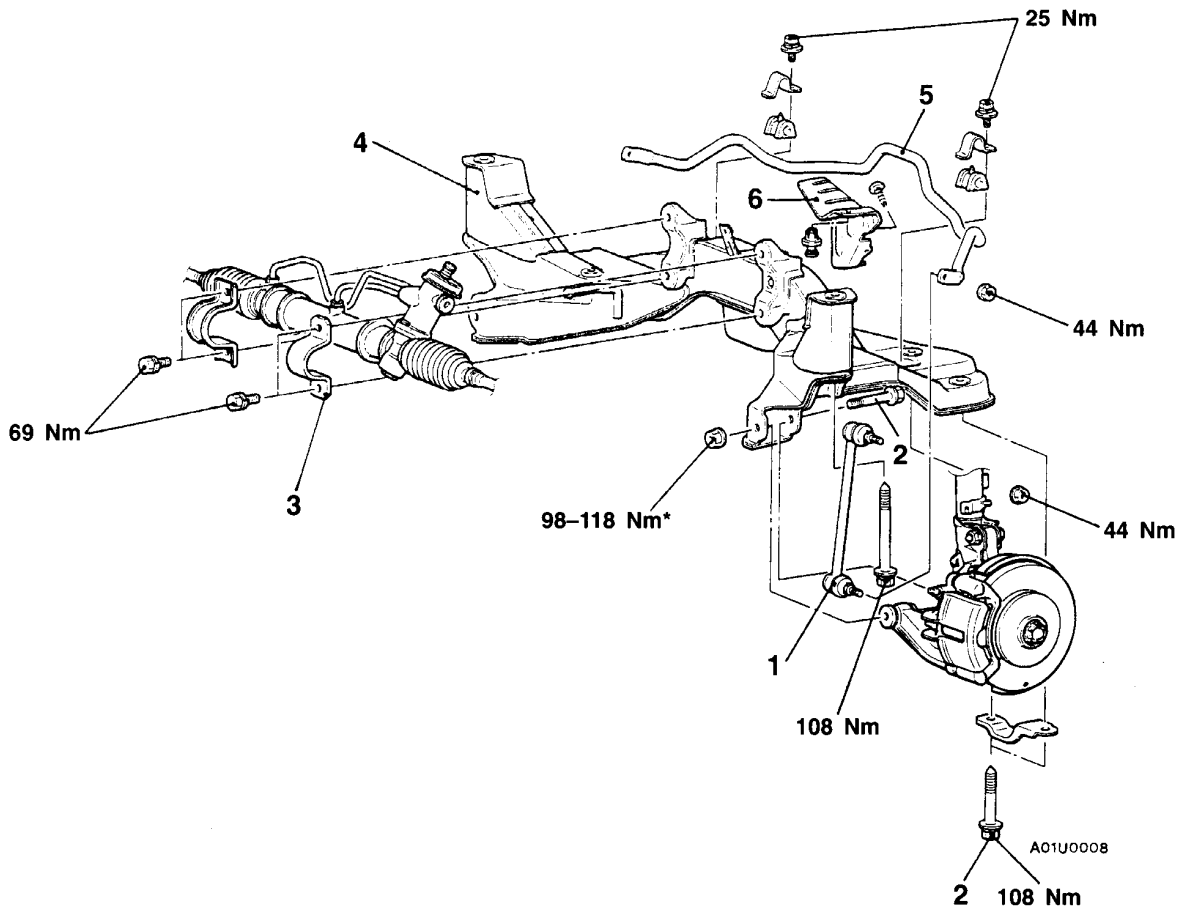
Install so that the hole in the front roll stopper bracket is facing towards the front of the vehicle.

CROSSMEMBER

32100320031

REMOVAL AND INSTALLATION

Pre-removal and Post-Installation Operation
 (1) Front Exhaust Pipe Removal and Installation (Refer to GROUP 15.)
 (2) Centermember Assembly Removal and Installation (Refer to P.32-5.)



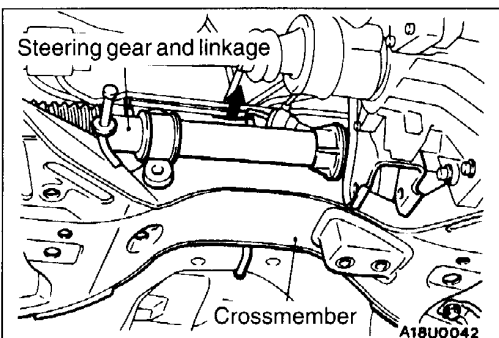
Removal steps for crossmember

1. Pillow ball link
2. Lateral lower arm mounting bolt
3. Steering gear and linkage clamp
4. Crossmember assembly
5. Stabilizer bar
6. Water proof panel



Caution

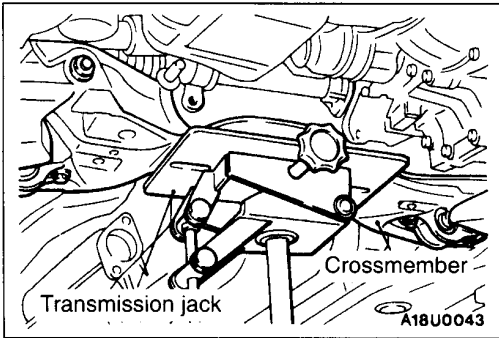
*: Indicates parts which should be temporarily tightened, and then fully tightened with the vehicle on the ground in the unladen condition.



REMOVAL SERVICE POINT

◀A▶ CROSSMEMBER ASSEMBLY REMOVAL

- (1) Move the crossmember while supporting the steering gear and linkage in the direction shown by the arrow.



- (2) Remove the crossmember while supporting it with a transmission jack.

INSTALLATION SERVICE POINT

▶◀ CROSSMEMBER ASSEMBLY INSTALLATION

Install the crossmember while supporting it with a transmission jack.