

PARKING BRAKES

CONTENTS

3610900033

| | | | |
|-------------------------------------|----------|--|----------|
| GENERAL INFORMATION | 2 | ON-VEHICLE SERVICE | 3 |
| SERVICE SPECIFICATIONS | 3 | Parking Brake Lever Stroke Check | 3 |
| LUBRICANTS | 3 | Parking Brake Switch Check | 4 |
| | | PARKING BRAKE LEVER* | 5 |
| | | PARKING BRAKE CABLE* | 6 |

WARNINGS REGARDING SERVICING OF SUPPLEMENTAL RESTRAINT SYSTEM (SRS) EQUIPPED VEHICLES

WARNING!

- (1) Improper service or maintenance of any component of the SRS, or any SRS-related component, can lead to personal injury or death to service personnel (from inadvertent firing of the airbag) or to the driver and passenger (from rendering the SRS inoperative).
- (2) Service or maintenance of any SRS component or SRS-related component must be performed only at an authorized MITSUBISHI dealer.
- (3) MITSUBISHI dealer personnel must thoroughly review this manual, and especially its GROUP 52B – Supplemental Restraint System (SRS) before beginning any service or maintenance of any component of the SRS or SRS-related component.

NOTE

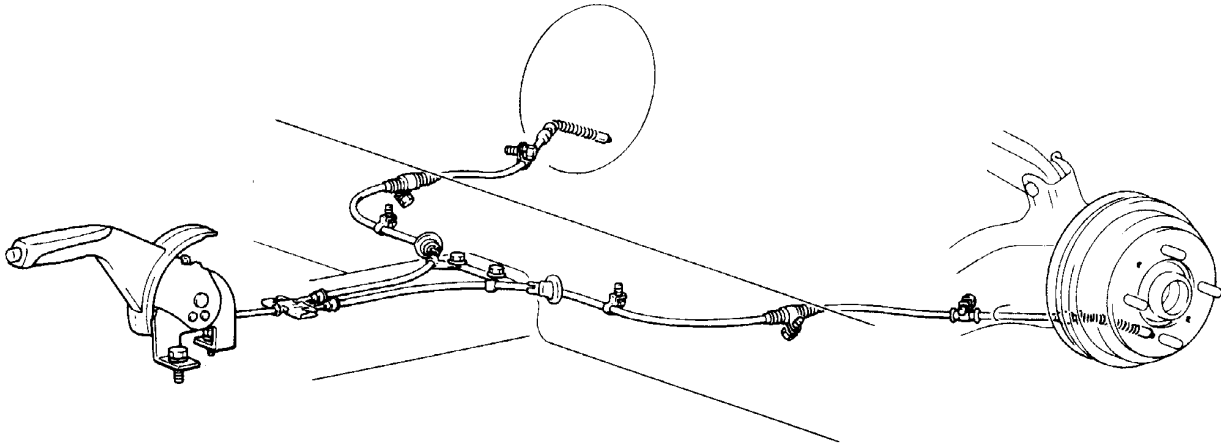
The SRS includes the following components: SRS-ECU, SRS warning lamp, air bag module, clock spring and interconnecting wiring. Other SRS-related components (that may have to be removed/installed in connection with SRS service or maintenance) are indicated in the table of contents by an asterisk (*).

GENERAL INFORMATION

36100010035

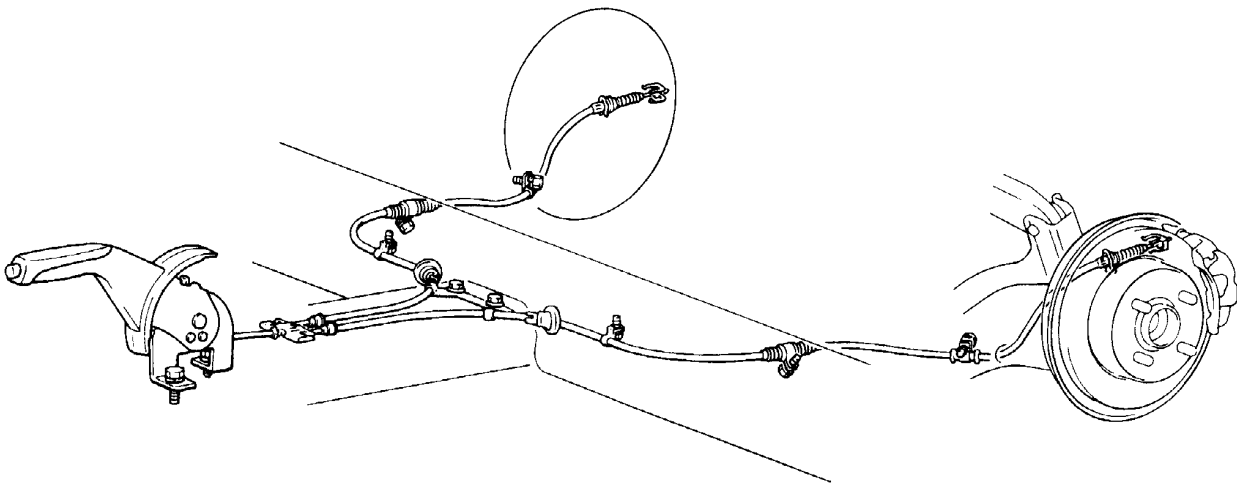
The parking brake is of a mechanical rear-wheel brake construction in all vehicles. Drum-type or drum in disc-type brakes are employed depending on the vehicle model.

<Vehicles with rear drum brakes>



<Vehicles with rear disc brakes>

14U0003



14U0002

00003375

SERVICE SPECIFICATIONS

36100030031

| Item | Specifications |
|--|----------------|
| Parking brake lever stroke [Operation force: Approx. 196N] | 5–7 notches |

LUBRICANTS

36100040034

| Items | Specified lubricants |
|--------------------------|-----------------------------------|
| Backing plate | Brake grease SAE J310, NLGI No. 1 |
| Shoe and lining assembly | |
| Adjuster | |

ON-VEHICLE SERVICE

36100090039

PARKING BRAKE LEVER STROKE CHECK

1. Pull the parking brake lever with a force of approx. 196 N and count the number of notches.

Caution

The 196 N force of the parking brake lever must be strictly observed.

Standard value:

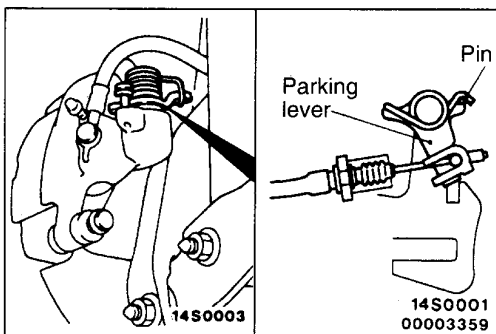
5–7 notches [Operation force: Approx. 196N]

2. If the parking brake lever stroke is not the standard value, adjust as described below.
 - (1) Loosen the adjusting nut to the end of the cable rod, thus freeing the parking brake cable.
 - (2) With the engine idling, forcefully depress the brake pedal five or six times and confirm that the pedal stroke stops changing.

NOTE

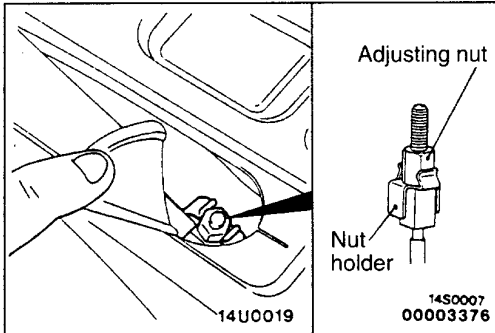
If the pedal stroke stops changing, the automatic-adjustment mechanism is functioning normally, and the clearance between the shoe and drum is correct.

- (3) For vehicles with rear disc brakes, check that the parking brake lever on the caliper side is touching the pin.



NOTE

If the parking brake lever is not touching the pin, the parking brake cable might be stuck or routed incorrectly, or there might be a problem with the automatic adjustment mechanism inside the rear brake calipers. Therefore, it is necessary to check the parking brake cable and to disassemble and inspect the rear brake calipers.

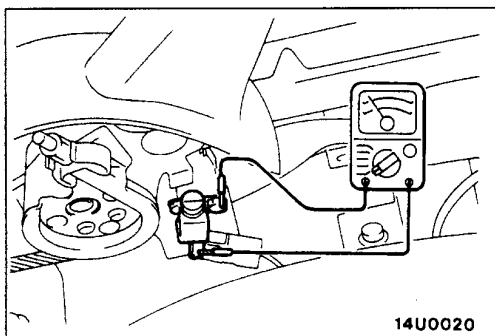


- (4) Turn the adjusting nut to adjust the parking brake lever stroke to the standard value. After adjusting, check that there is no space between the adjusting nut and the parking brake lever. Check that the adjusting nut is also securely held by the nut holder.

Caution

- If the parking brake lever stroke is below the standard value and the braking is too firm, the rear brakes may drag.

- (5) After adjusting the parking brake lever stroke, jack up the rear of the vehicle. Release the parking brake and turn the rear wheels to check that the rear brakes are not dragging. In addition, for vehicles with rear disc brakes, check that the parking brake lever on the caliper side is touching the pin.



PARKING BRAKE SWITCH CHECK

36100330032

Check for continuity between the parking brake switch terminal and the switch mounting bolt.

| | |
|--------------------------------------|---------------|
| When parking brake lever is pulled | Continuity |
| When parking brake lever is released | No continuity |

**PARKING BRAKE LEVER
REMOVAL AND INSTALLATION**

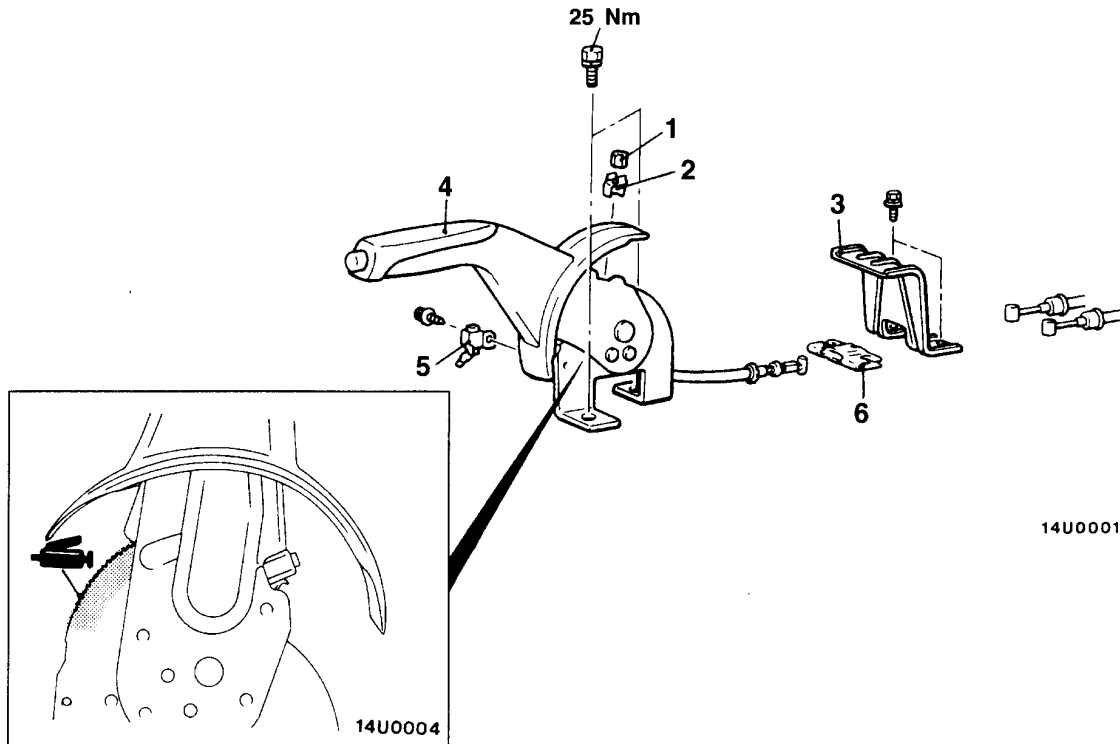
36100130038

Pre-removal Operation

1. Floor Console Removal (Refer to GROUP 52A.)
2. Rear Seat Removal (Refer to GROUP 52A.)

Post-installation Operation

1. Parking Brake Lever Stroke Adjustment (Refer to P.36-4.)
2. Floor Console Installation (Refer to GROUP 52A.)
3. Rear Seat Installation (Refer to GROUP 52A.)



14U0001

00003377

Removal steps

1. Adjusting nut
2. Nut holder
- Rear scuff plate
3. Bracket
4. Parking brake lever assembly
5. Parking brake switch
6. Cable equalizer

**PARKING BRAKE CABLE
REMOVAL AND INSTALLATION**

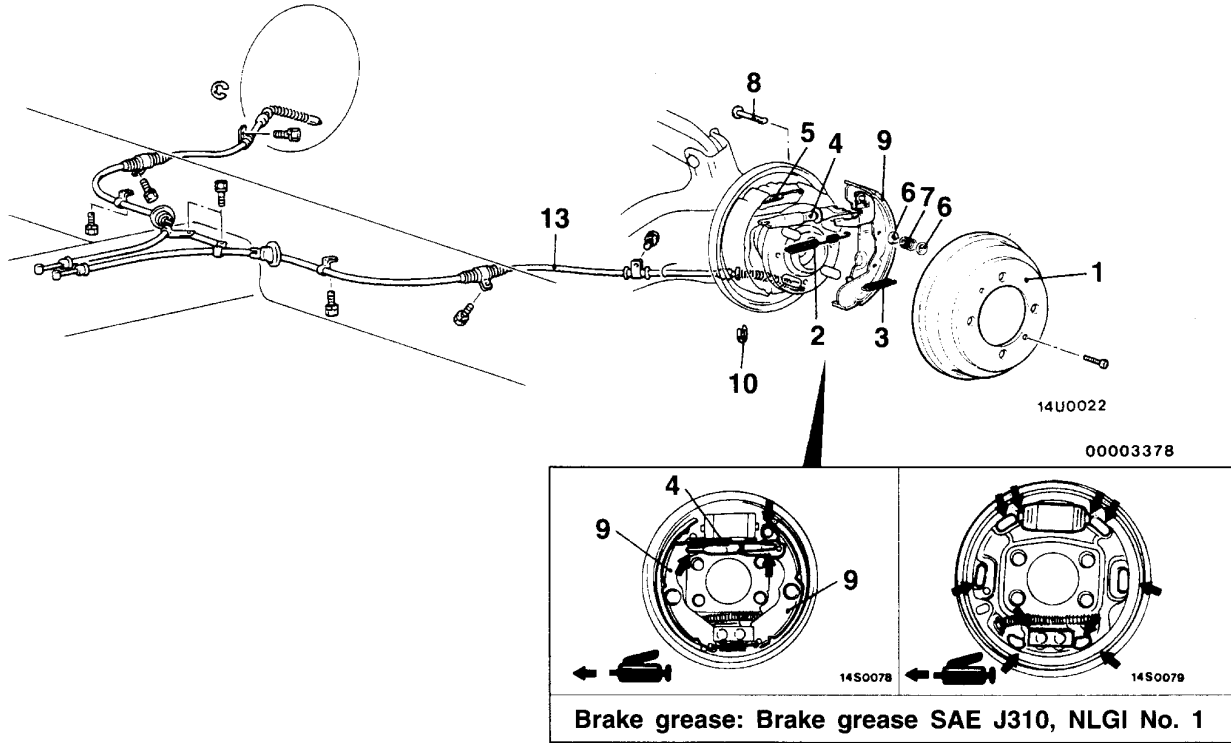
Pre-removal Operation

- Floor Console Removal (Refer to GROUP 52A.)

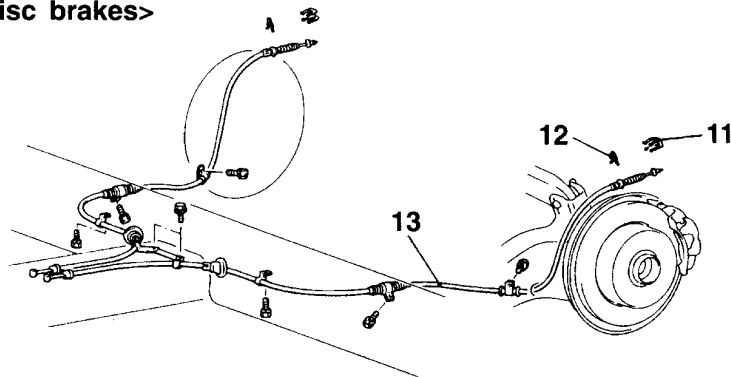
Post-installation Operation

- Parking Brake Lever Stroke Adjustment (Refer to P.36-4.)
- Floor Console Installation (Refer to GROUP 52A.)

<Vehicles with rear drum brakes>



<Vehicles with rear disc brakes>



A14R0006

Removal steps

<Vehicles with rear drum brakes>

1. Rear brake drum
2. Shoe-to-lever spring
3. Retainer spring
4. Auto adjuster assembly
5. Shoe-to-shoe spring
6. Shoe hold-down cup
7. Shoe hold-down spring
8. Shoe hold-down pin
9. Shoe and lining assembly

10. Clip
13. Parking brake cable

<Vehicle with rear disc brakes>

11. Cable retainer
12. Parking clip
13. Parking brake cable