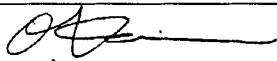




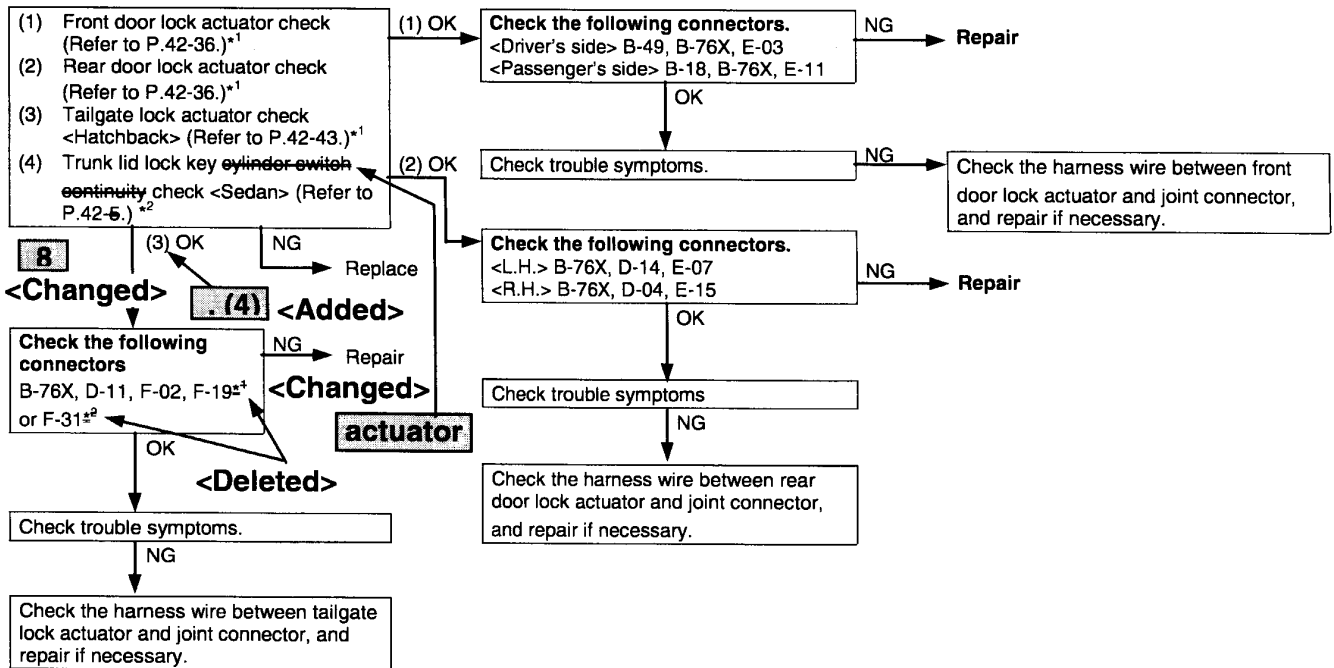
SERVICE BULLETIN

PUBLICATION GROUP, AFTER SALES SERVICE DEP.
MITSUBISHI MOTOR SALES EUROPE BV

SERVICE BULLETIN		No.: ESB-99E42-504	
Date: 1999-11-15		<Model>	<M/Y>
Subject: CORRECTION TO CENTER DOOR LOCK TROUBLESHOOTING		(EC,EXP) CARISMA	98-10
Group: BODY			
CORRECTION		 O. Kai - E.V.P. & G.M. After Sales Service Dept.	
1. Description:			
This Service Bulletin informs you that typographical errors in the center door lock troubleshooting have been rectified.			
2. Applicable Manuals:			
Manual	Pub. No.	Language	Page(s)
'98 CARISMA Workshop Manual chassis	PWDE9502-B	(English)	42-5
	PWDS9503-B	(Spanish)	
	PWDF9504-B	(French)	
	PWDG9505-B	(German)	
	PWDD9506-B	(Dutch)	
	PWDW9507-B	(Swedish)	
	PWDI96E1-B	(Italian)	
3. Details:			

Inspection Procedure 13

Some doors do not lock or unlock	Probable cause
The door lock actuator, a harness or connector may be defective.	<ul style="list-style-type: none"> • Malfunction of the door lock actuator • Malfunction of the wiring harness or connector



NOTE

*1: Refer to '96 CARISMA Workshop Manual (Pub. No. PWDE9502).

*2: Refer to '97 CARISMA Workshop Manual (Pub. No. PWDE9502-A).