

GROUP 16 ENGINE ELECTRICAL

IGNITION SYSTEM

GENERAL

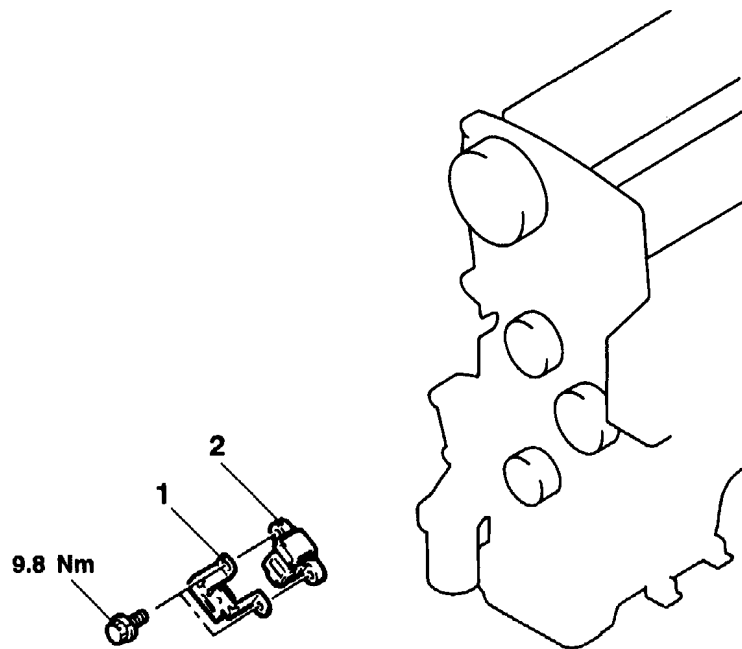
OUTLINE OF CHANGE

The crank angle sensor for the 4G9 engine has been changed.

CRANK ANGLE SENSOR <4G9>

REMOVAL AND INSTALLATION

Pre-removal and Post-Installation Operation
Timing Belt Cover Removal and Installation
(Refer to GROUP 11A.)



AX0004BN

Removal steps

1. Bracket
2. Crank angle position sensor